



# HOSHIZAKI

## Parts List

Stackable Crescent cuber

Models

KM-130ISAJ-E



[hoshizakiamerica.com](http://hoshizakiamerica.com)

Number: 71413  
Issued: 5-8-2018  
Revised: 12-22-2021

**CONTENTS**

Auxiliary Codes..... 3  
Note About Ordering Parts ..... 3  
A. Main Assembly & Refrigeration Circuit ..... 4  
B. Water Circuit ..... 6  
C. Control Box Assembly ..... 9  
D. Accessories & Labels ..... 10

## Auxiliary Codes

### KM-1301SAJ-E

H-0	April 2018
J-0	January 2019
J-1	April 2019
J-2	August 2019
K-0	November 2020
L-0	May 2021
L-1	August 2021

## Auxiliary Code Breakdown

The auxiliary code is the first two characters in the serial number. The first character indicates the year. Years progress or regress in alphabetical order. The series runs from "A" through "V" and the letters "I" and "O" are skipped. The second character indicates significant part changes within a year. Base is "0" and this number advances for each change.

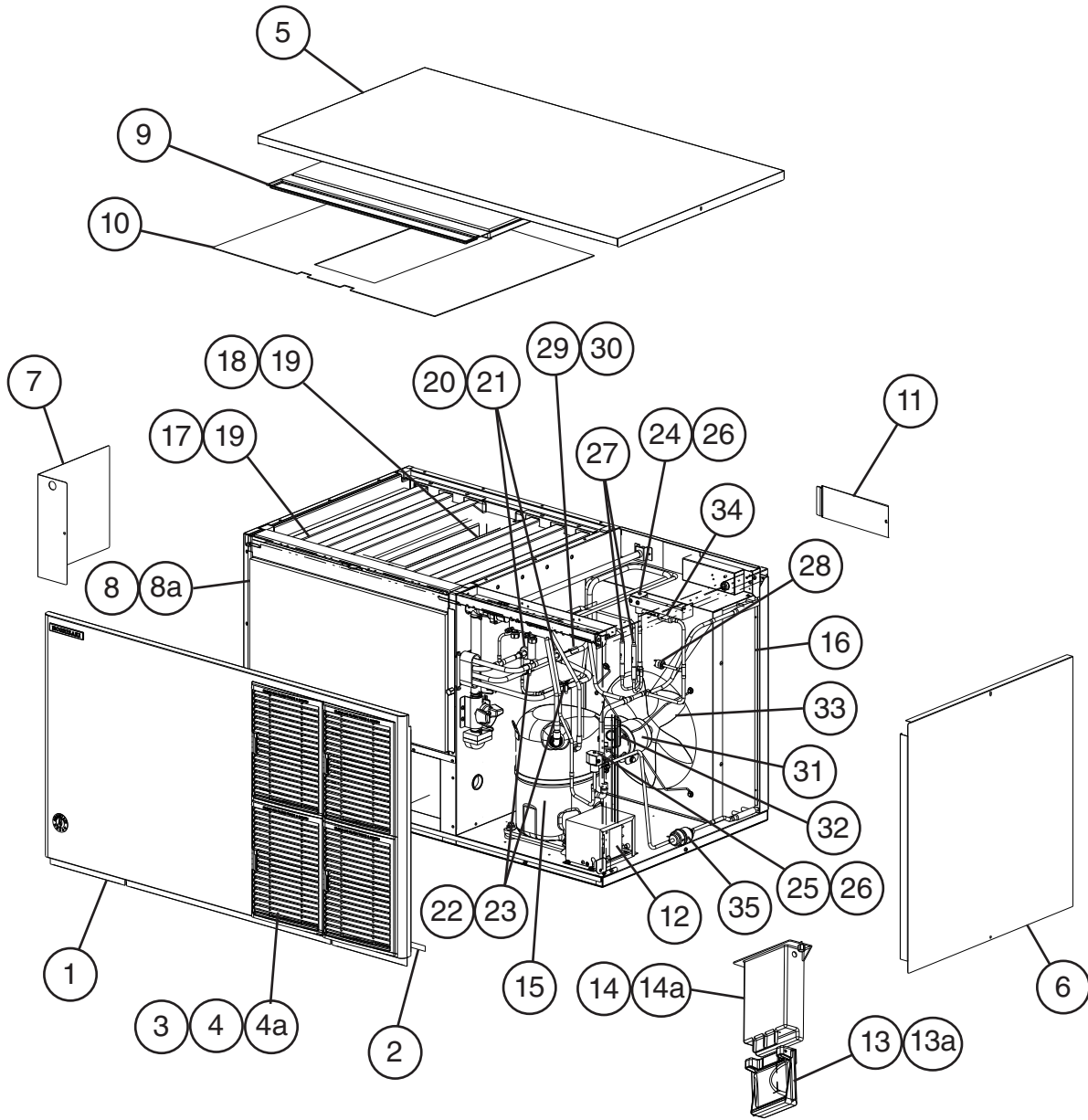
## Note About Ordering Parts

Most assemblies cannot be ordered as complete units; parts in the assemblies generally must be ordered separately.

### ***IMPORTANT***

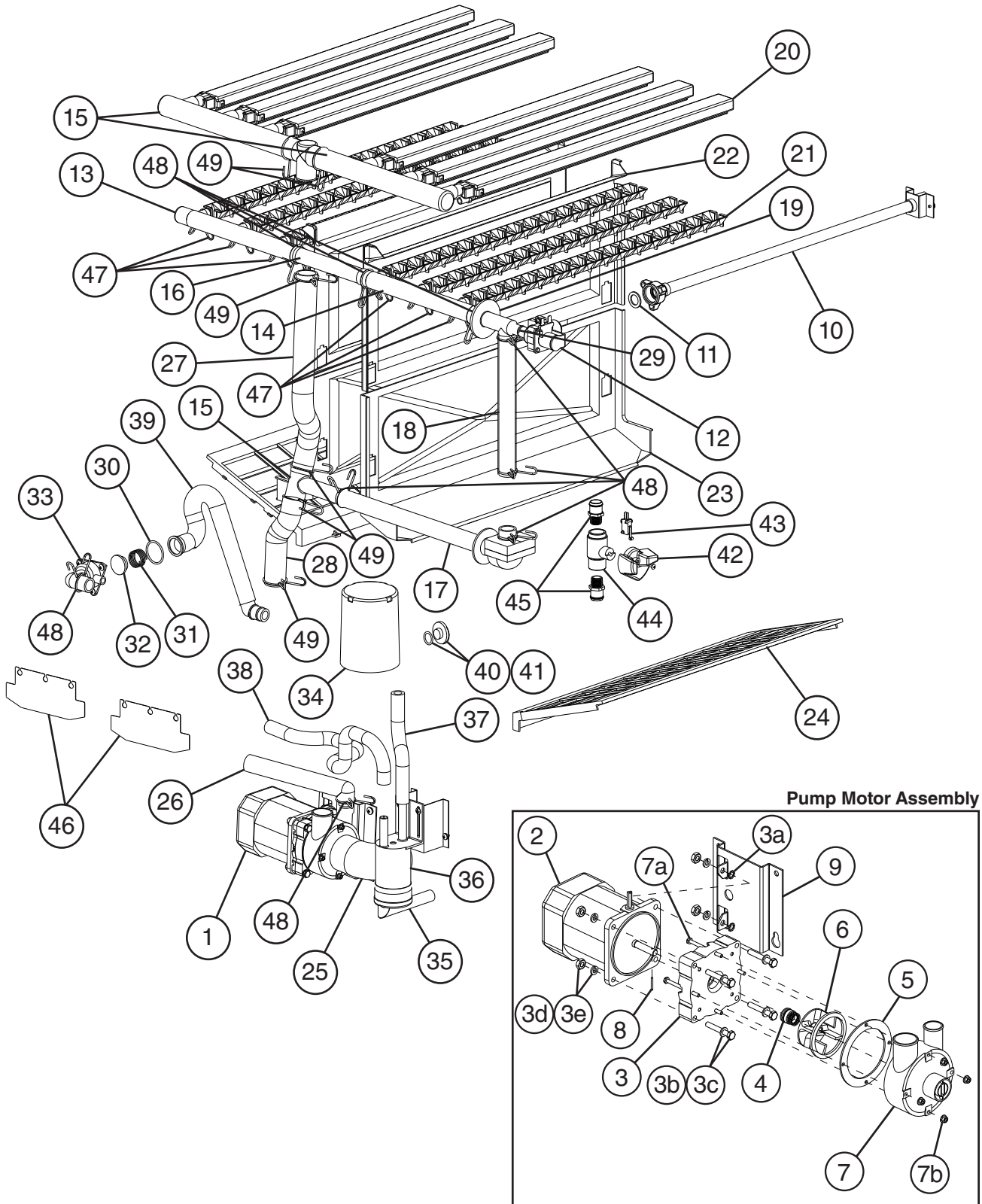
IEC standards require that the clamping means of earthing terminals be adequately secured against accidental loosening and that accessible metal parts of the icemaker which may become live in the event of an insulation fault be permanently and reliably connected to an earthing terminal within the icemaker or to the earthing contact of the icemaker inlet. This is accomplished in this icemaker through the use of stainless steel lock washers.

**A. Main Assembly & Refrigeration Circuit**  
**KM-1301SAJ-E**  
 H-0 to L-1



Title: A. Main Assembly & Refrigeration Circuit Model: KM-1301SAJ-E											
Index No.	Description	Material or Model Number	Part Number	H-0 to L-1	Required Number						
<b>Main Assembly</b>											
1	Front Panel		2A2224-02	1							
2	Gasket	L=1219 mm	4A6408L02	1							
3	Air Filter		2A2063G01	4							
4	Louver		1A0548-01	4							
4a	Push Retainer		4A2414-01	12							
5	Top Panel		2A2255-01	1							
6	Right Side Panel		2A2226G01	1							
7	Control Box Cover		3A2386-02	1							
8	Front Insulation		324215G01	1							
8a	Thumbscrew		415949G12	1							
9	Top Insulation		324216G01	1							
10	Spacer		324321-01	1							
11	Junction Box Cover		4A1767-02	1							
12	Main Transformer		4A5262-01	1							
13	Mechanical Bin Control		2A8598G01	1							
13a	Thumbscrew		415949G12	2							
14	Bin Control Mounting Bracket		3A5726-01	1							
14a	Thumbscrew		415949G12	2							
<b>Refrigeration Circuit</b>											
15	Compressor		4A1749-03	1							
16	Condenser		2A7966-01	1							
17	Left Evaporator Bank	SP-5430	2A8124G01	1							
18	Right Evaporator Bank	SP-5431	2A8124G01	1							
19	Separator Hook		324152-01	8							
20	Thermostatic Expansion Valve		4A1482-01	2							
21	Thermostatic Expansion Valve Cover		3A0944-01	2							
22	Thermostatic Expansion Valve Bulb Holder		3A0107-01	2							
23	Clamp		443461-02	2							
24	Hot Gas Valve Body		4A3978-01	1							
25	Liquid Line Valve Body		4A3276-01	1							
26	Valve Coil		4A3277-01	2							
27	Check Valve		4A1373-01	2							
28	High-Pressure Switch		463180-01	1							
29	Thermistor		429006-03	1							
30	Thermistor Holder		427430-01	1							
31	Fan Motor		4A3158-01	1							
32	Fan Motor Capacitor	5MFD, 250VAC	4A6435-02	1							
33	Fan Blade		4A0197-01	1							
34	Strainer		441569-02	1							
35	Drier		4A1113-01	1							

**B. Water Circuit**  
**KM-1301SAJ-E**  
 H-0 to L-1



**Title: B. Water Circuit Model: KM-1301SAJ-E**

Index No.	Description	Material or Model Number	Part Number	H-0 to L-1	Required Number									
1	Pump Motor Assembly (includes items 2 through 9)	S-0862	215692A04	1										
2	Pump Motor		2U0106-01	1										
3	Pump Motor Flange		215662-01	1										
3a	Tooth Washer		7R22-0600	2										
3b	Hex Bolt	6x40, SS	7B02-0640	4										
3c	Flat Washer		7W22-0600	4										
3d	Split Lock Washer		7L22-0600	4										
3e	Hex Nut		7N12-0600	4										
4	Mechanical Seal		4A3820-01	1										
5	Packing		428547-01	1										
6	Impeller		334706G01	1										
7	Pump Housing		213687-01	1										
7a	Hex Bolt	4x55, SS	7B02-0455	4										
7b	Hex Flange Nut		7J02-0400	4										
8	Pin		4A0648-01	1										
9	Pump Motor Bracket		323904-01	1										
10	Water Supply Pipe		4A5216G07	1										
11	Rubber Gasket		413854-03	1										
12	Inlet Water Valve		4A5251-02	1										
13	Distributor Hose A		439266-01	1										
14	Distributor Hose B		439239-01	1										
15	Distributor Hose C (Tee)		439238-01	1										
16	Joint Pipe		439297-01	1										
17	Bypass Hose		439237-02	1										
18	Joint Hose		439309-02	1										
19	Flange		439267-02	1										
20	Spray Tube		437049G01	6										
21	Spray Guide		2A4282-02	6										
22	Separator A		213622-01	2										
23	Separator B		2A0100-01	2										
24	Cube Guide		214243-01	2										
25	Hose A		435091-01	1										
26	Hose B		436599-01	1										
27	Vinyl Hose	L=365 mm	7716B2732	1										
28	Vinyl Hose	L=165 mm	7716B2732	1										
29	Vinyl Hose	L=40 mm	7716B1216	1										
30	O-Ring		7611-G035	1										
31	Drain Valve Spring		322110-01	1										
32	Drain Valve Seat		433705-01	1										
33	Drain Valve Housing		323613-01	1										
34	Overflow Cap		323978-01	1										
35	Float Switch Connector		426799-04	1										
36	Float Switch		4A7077G01	1										
37	Silicone Hose	L=140 mm	7730I3896	1										
38	Silicone Hose	L=390 mm	7730I3896	1										

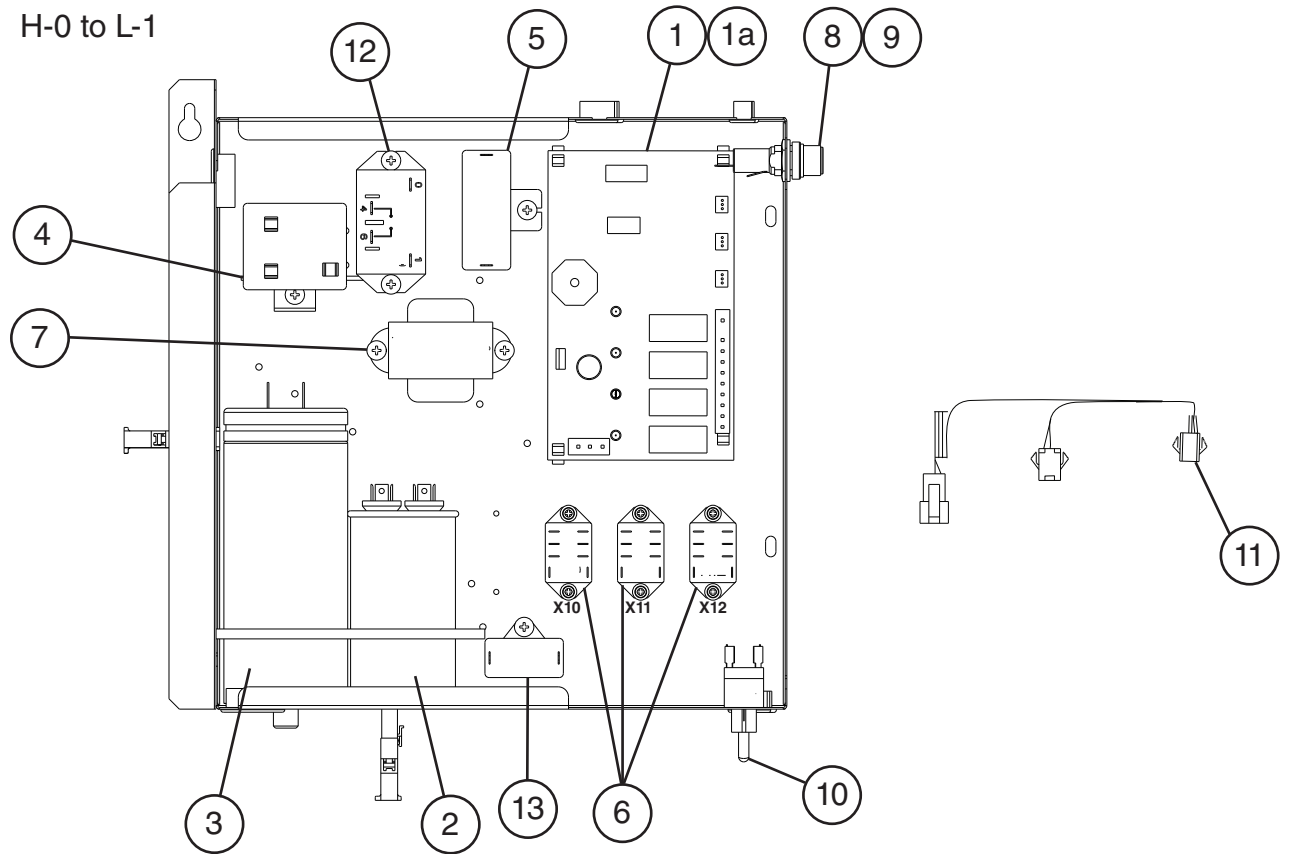
**Title: B. Water Circuit    Model: KM-1301SAJ-E**

Index No.	Description	Material or Model Number	Part Number	Required Number												
				H-0 to L-1												
39	Drain Hose		<a href="#">324757-01</a>	1												
40	Drain Plug		<a href="#">309246-01</a>	1												
41	Drain Plug O-Ring		<a href="#">7611-P015</a>	1												
42	Cleaning Valve Handle		<a href="#">215383-01</a>	1												
43	Cleaning Valve Micro Switch		<a href="#">4A2546-01</a>	1												
44	Cleaning Valve Ball Valve		<a href="#">439293-01</a>	1												
45	Cleaning Valve Male Adopter		<a href="#">325826-01</a>	2												
46	Splash Guard		<a href="#">4A6116-01</a>	2												
<b>Hose Clamps</b>																
47	Hose Clamp	13.5 mm	<a href="#">427443-07</a>	6												
48	Hose Clamp	25 mm	<a href="#">427443-03</a>	9												
49	Hose Clamp	32 mm	<a href="#">427443-09</a>	6												

# C. Control Box Assembly

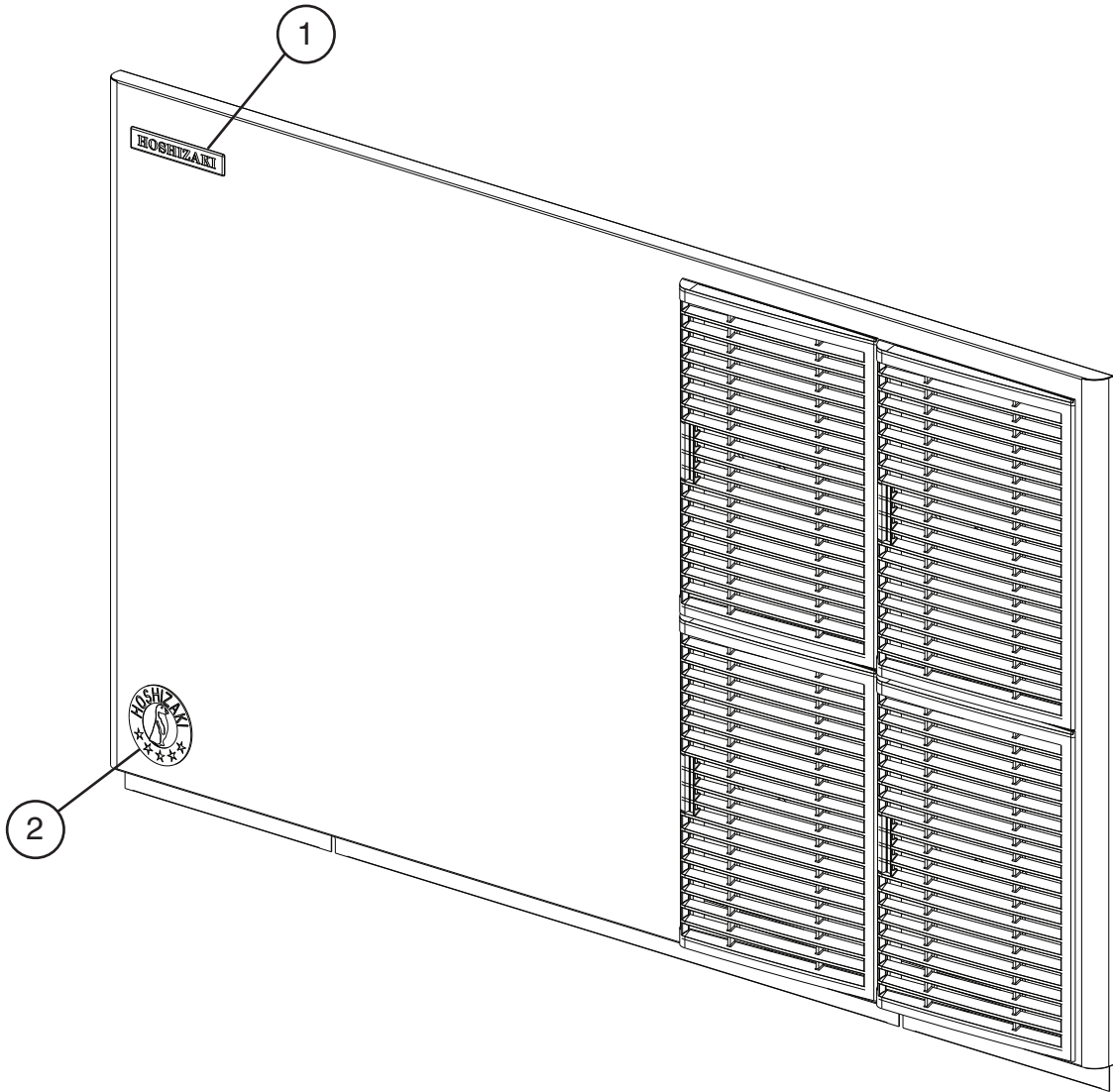
## KM-1301SAJ-E

H-0 to L-1



Title: C. Control Box Assembly    Model: KM-1301S_J-E					Required Number												
Index No.	Description	Material or Model Number	Part Number	H-0 to L-1													
1	Control Board		<a href="#">2A7664-04</a>	1													
1a	Control Board Support		<a href="#">4A0336-03</a>	4													
2	Run Capacitor	35MFD, 440VAC	<a href="#">3A2005-12</a>	1													
3	Start Capacitor	160MFD, 330VAC	<a href="#">4A1094-01</a>	1													
4	Start Relay		<a href="#">4A1107-13</a>	1													
5	Pump Motor Capacitor	15MFD, 250VAC	<a href="#">4A2128-02</a>	1													
6	Relay X10 - Pump Motor Relay X11 - Control Relay X12 - Slush Control Relay		<a href="#">406132-07</a>	3													
7	Control Transformer		<a href="#">3A0172-01</a>	1													
8	Fuse Holder		<a href="#">4A5443-01</a>	1													
9	Fuse	AGC-10A, 250VAC	<a href="#">4A0893-07</a>	1													
10	Control Switch		<a href="#">4A2436-01</a>	1													
11	Bin Control Wire Harness		<a href="#">4A5197G01</a>	1													
12	Compressor Relay		<a href="#">4A3140-01</a>	1													
13	Fan Motor Capacitor	5.0MFD, 250VAC	<a href="#">4A6435-02</a>	1													

**D. Accessories & Labels**  
**KM-1301SAJ-E**  
H-0 to L-1



Title: D. Accessories & Labels    Model: KM-1301SAJ-E					Required Number							
Index No.	Description	Material or Model Number	Part Number	H-0 to L-1								
					1	Hoshizaki Emblem Label		<a href="#">4A0560-01</a>	1			
2	Penguin Label		<a href="#">475552L02</a>	1								
3	Universal Brace		<a href="#">4A0363-02</a>	2								
3a	Hex Bolt	5x12, SS	<a href="#">7B02-0512</a>	4								