



HOSHIZAKI

Parts List

Modular Cuber

Model
IM-500SAA



hoshizakiamerica.com

Number: M029-3750
Issued: 7-2018

Auxiliary Codes

IM-500SAA	B-1	October 2012
	B-2	December 2012
	C-0	January 2013
	C-1	February 2013
	G-1	April 2017
	G-2	August 2017
	G-3	September 2017

AUXILIARY CODE

The auxiliary code is the first two characters in the serial number. The first character indicates the year. Years progress or regress in alphabetical order. The series runs from "A" through "V" and the letters "I" and "O" are skipped. The second character indicates significant part changes within a year. Base is "0" and this number advances for each change. In cases where there is a letter in parentheses, this designates the month. This is the last character in the serial number. The series runs from "(A)" through "(M)" and the letter "(I)" is skipped. This designation is only included when identifying a parts change within an auxiliary code.

Note About Ordering Parts

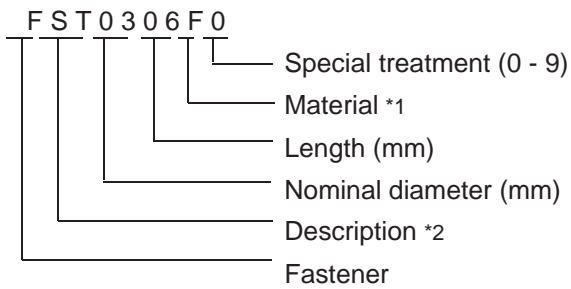
Most assemblies cannot be ordered as complete units; parts in the assemblies generally must be ordered separately.

MARKS LOCATED UNDER THE AUXILIARY CODE

- = Part deleted.
- x = Part deleted and replaced by "o" part.
- o = New part in place of "x" part.

FASTENER PART NUMBER

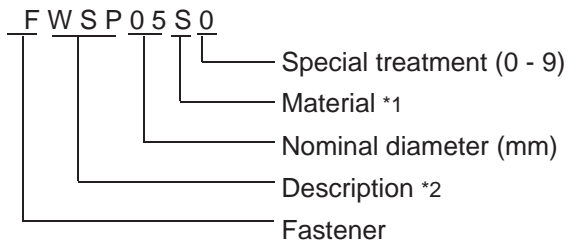
SCREWS



*₁

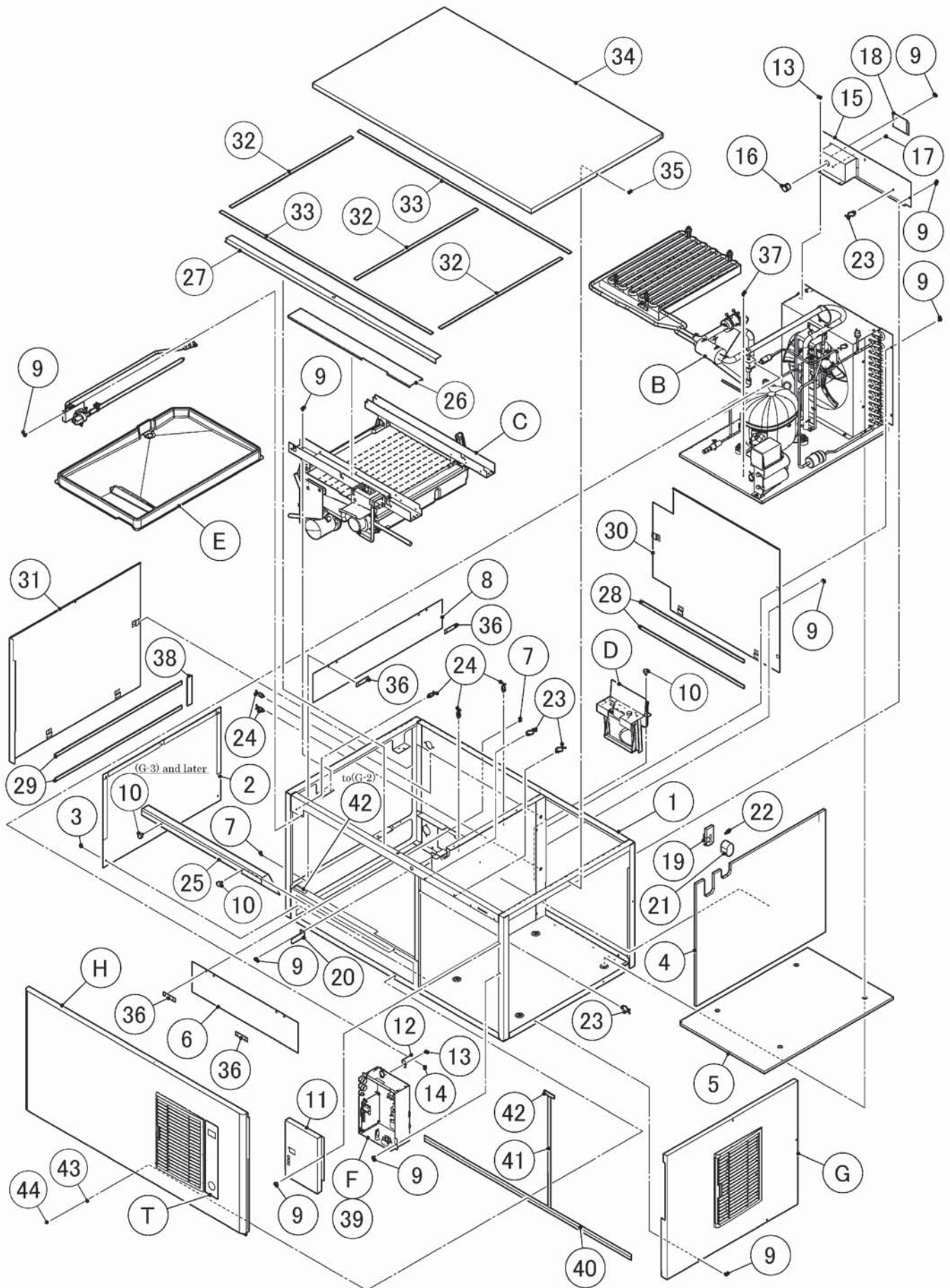
- F: Steel
- S: Austenitic stainless steel
- M: Martensitic stainless steel
- B: Copper alloy
- P: Polycarbonate
- N: Polyamide
- V: PVC
- A: ABS
- X: Polyacetal
- L: Aluminum

NUTS & WASHERS



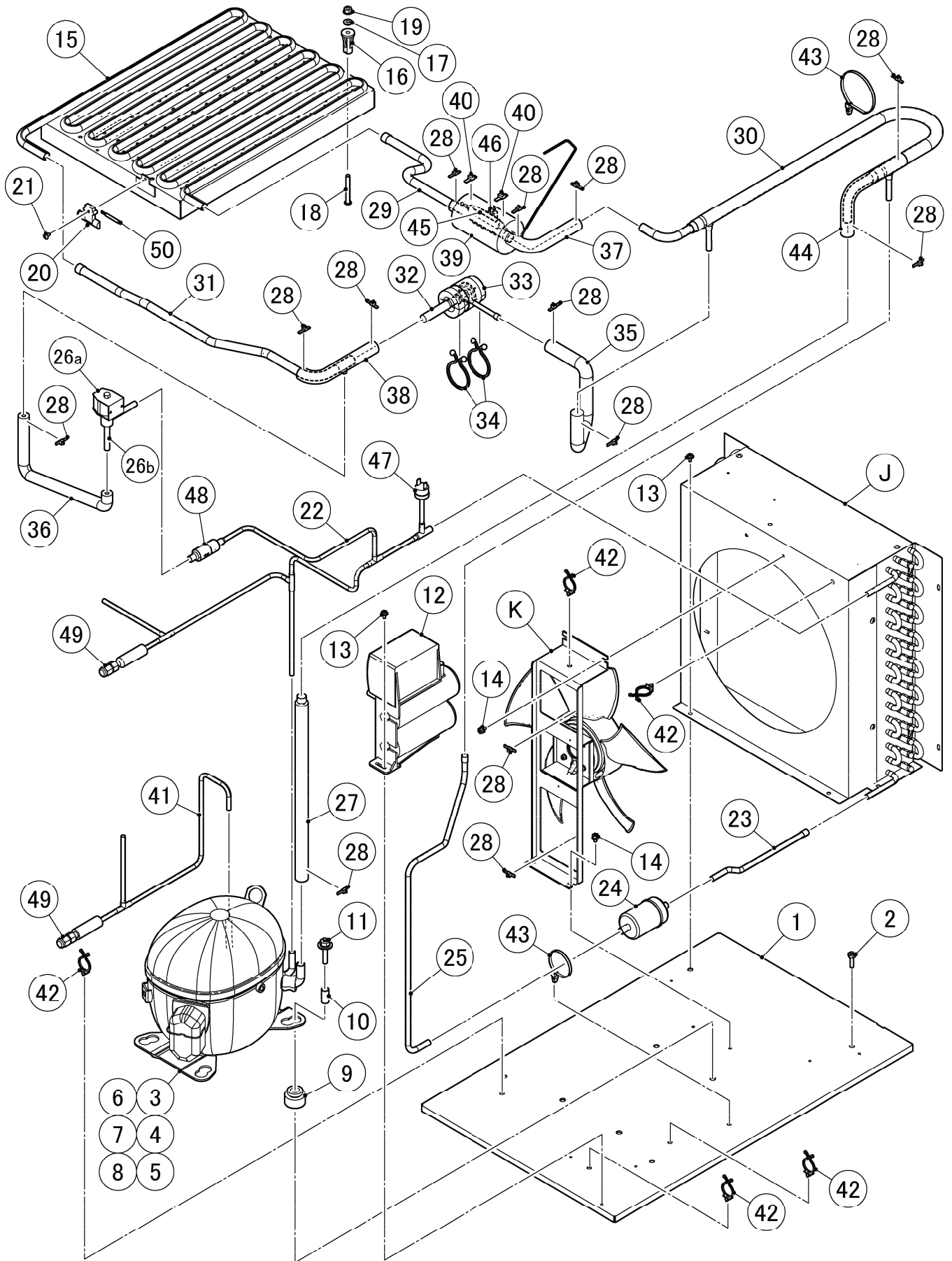
*₂

- First letter
- S: Machine screw
- T: Tapping screw
- M: Wood screw
- B: Bolt
- W: Washer
- N: Nut



HA

MODEL: IM-500SAA		TITLE: A. ICE CUBER ASSY						
INDEX NO.	DESCRIPTION	MATERIAL OR MODEL NUMBER	PART NUMBER	REQ'D NUMBER				
				B-1	B-2 C-0	C-1 G-0	G-1 G-2	G-3
B	REFRIGERATION ASSY		121598A01	1	1	1	1	1
C	MECHANISM ASSY		121611A01	1	1	1	1	1
D	BIN SW ASSY		376240A01	1	1	1	1	1
E	WATER CIRCUIT ASSY		261583A01	1	1	1	1	1
F	CONTROL BOX ASSY		261953A01	1	1	1	1	1
G	SIDE PANEL(R)		376049A01	1	1	1	1	1
H	FRONT COVER		261961A01	1	1	1	1	1
S	LABEL LOCATION		261629A01	1	1	1	1	1
T	ACCESSORIES		A02669-01	1	1	1	1	1
1	UNIT FRAME		273183G01	1	1	1	1	1
2	PROTECTOR - SEPARATOR		483781G01	1	1	1	1	1
3	T2 TRUSS HEAD SCREW		FT20408S0	5	5	5	5	5
4	INSULATION-SEPARATOR		376005P01	1	1	1	1	1
5	INSULATION-CHASSIS		476401P01	1	1	1	1	1
6	SHIELD(A1)		377294P01	1	1	1	1	1
7	RIVET	SSD43SSBS(t3.2~4.8)	7170-0005	8	8	8	8	8
8	SHIELD(B1)		377296P01	1	1	1	1	1
9	FLANGE BOLT(C-TITE)		FTR0408M0	24	24	24	24	24
10	THUMBSCREW		415949G10	3	3	3	3	4
11	CONTROL BOX COVER		376269M01	1	1	1	1	1
12	BRACKET - HV		476433M01	1	1	1	1	1
13	T2 TRUSS HEAD SCREW		FT20408F0	3	3	3	3	3
14	TRUSS HEAD SCREW		FST0408F0	2	2	2	2	2
15	REAR PANEL(R)		376276G01	1	1	1	1	1
16	BUSHING		420472-05	1	1	1	1	1
17	SCREW - GROUNDING		433304-02	1	1	1	1	1
18	JUNCTION BOX COVER		433410-01	1	1	1	1	1
19	GROMMET		476434R01	1	1	1	1	1
20	BRACKET-GROMMET		476435M01	1	1	1	1	1
21	INSULATION TUBE		H71020200	1	1	1	1	1
22	NYLON TIE	CV-200	7920-0010	1	1	1	1	1



HA

MODEL: IM-500SAA		TITLE: B. REFRIGERATION ASSY						
INDEX NO.	DESCRIPTION	MATERIAL OR MODEL NUMBER	PART NUMBER	REQ'D NUMBER				
				B-1	B-2 C-0	C-1 G-0	G-1 G-2	G-3
J	COND. ASSY		375980A01	1	1	1	1	1
K	FAN MOTOR ASSY		375981A01	1	1	1	1	1
1	BASE		375979G01	1	1	1	1	1
2	HEX HEAD BOLT		FBH0620S0	4	4	4	4	4
3	COMPRESSOR		P02510-01	1	1	1	1	1
4	TERMINAL COVER	NT6222GKV etc. ACCESSORIES	P02863-01	1	1	1	1	1
5	SPRING	NT6222GKV etc. ACCESSORIES	P02578-01	1	1	1	1	1
6	PROTECTOR	NT6222GKV etc. ACCESSORIES	P02512-01	1	1	1	1	1
7	PROTECTOR GASKET	NT6222GKV etc. ACCESSORIES	P02580-01	1	1	1	1	1
8	SCREW	NT6222GKV etc. ACCESSORIES	P00840-01	1	1	1	1	1
9	GROMMET	NT6222GKV etc. ACCESSORIES	P00846-01	4	4	4	4	4
10	SPACER	NT6222GKV etc. ACCESSORIES	P00847-01	4	4	4	4	4
11	BOLT		436206-03	4	4	4	4	4
12	ELECTRICAL COMPONENTS	NT6222GKV etc. ACCESSORIES	P02511-01	1	1	1	1	1
12a	STARTER	1253050 RVA9AD3C-121	P02866-01	1	1	1	1	1
12b	RUN CAPACITOR	2253315 35µF	P02699-01	1	1	1	1	1
12c	START CAPACITOR	2252331 243-292µF	P02867-01	1	1	1	1	1
13	FLANGE BOLT(C-TITE)		FTR0408M0	5	5	5	5	5
14	HEX HEAD BOLT (SPRING WASHER AND FLAT WASHER)		FBK0508F0	4	4	4	4	4
15	EVAPORATOR		2H7526G02	1	1	1	1	1
16	COLLAR		3H3879-01	4	4	4	4	4
17	WASHER		4H0777-01	4	4	4	4	4
18	SCREW EVAPORATOR		4Y4922M02	4	4	4	4	4
19	FLANGE NUT		FNHF06S0	4	4	4	4	4
20	HOLDER - THERMISTOR		315479-01	1	1	1	1	1
21	S-TITE TRUSS HEAD SCREW		FTS0408M0	1	1	1	1	1
22	COPPER TUBE(A)-HIGH SIDE		261879G01	1	1	1	1	1
23	COPPER TUBE(B)-HIGH SIDE		476553M01	1	1	1	1	1
24	DRIER	DML032.5s	462965-01	1	1	1	1	1
25	COPPER TUBE(C)-HIGH SIDE		376210M01	1	1	1	1	1

