

# Hoshizaki IM-500SAB Stacking Kit Instructions

## HS-5530

### For Use with Hoshizaki Model IM-500SAB

Check to ensure that all parts are included:

Index No.	Description	Part Number	Qty
1	Ice Chute	1A5929-01	1
2	Wire Harness	3B0590-01	1
3	Top Panel Hook	3B0586-01	1
4	Thumbscrew	415949G10	2
5	Gasket (125x1080 mm (5"x42 1/2"))	4A0808L02	1

Index No.	Description	Part Number	Qty
6	Water Guide	4A6891-01	1
7	Wire Saddle	4A2338-01	2
8	Wiring Label	2A9601-01	1
9	Hex Bolt w/Washer (8x16)	7B0230816	2
10	Hex Nut (M8)	7N12-0800	2
11	Bracket Bin Control	4A7422-01	1

### **⚠ WARNING**

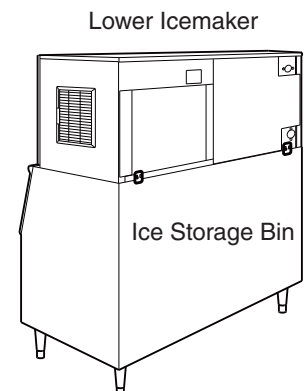
- Only qualified service technicians should install this kit to reduce the risk of death, electric shock, serious injury, or fire.
- Ice maker is heavy. Use care when lifting or positioning. Work in pairs when needed to prevent injury or damage.
- No installation or service should be undertaken until the technician has thoroughly read these instructions. Failure to follow these instructions will adversely affect safety, performance, component life, and warranty coverage.
- **Before Servicing:** Move the control switch to the "OFF" position and turn off the power supply. Place the disconnect in the "OFF" position. Lockout/Tagout to prevent the power supply from being turned back on inadvertently. Control switch in "OFF" position does not de-energize all loads.
- **CHOKING HAZARD:** Ensure all components, fasteners, and thumbscrews are securely in place after the icemaker is serviced. Make sure that none have fallen into the dispenser unit/ice storage bin.
- Make sure all food zones in the icemaker and dispenser unit/ice storage bin are clean after service.
- Protect the floor when moving the icemaker to prevent damage to the floor.
- Wear proper PPE (personal protection equipment) when executing these procedures.
- To reduce the risk of electric shock, do not touch the control switch with damp hands.
- The manufacturer cannot be held responsible for injury or damage resulting from improper, incorrect, and unreasonable use or installation.

### **NOTICE!**

- Do not use the frame to lift the icemaker. Lift the icemaker at the base or use a duct jack to lift the upper icemaker on top of the lower icemaker.
- Up to three icemakers total (including the bottom icemaker) can be stacked.  
Double Stacked: IM-500SAB × 2, Stacking Kit [HS-5530](#) × 1  
Triple Stacked: IM-500SAB × 3, Stacking Kit [HS-5530](#) × 2
- The bin control switch on the lowest icemaker controls all icemakers. The bin control switch and switch mount must be removed from the upper icemakers. Misconnection or no connection may cause damage to the icemakers, resulting in icemaker failure or damage.
- Allow 6" (15 cm) clearance at rear, left side, and top (upper icemaker), and 12" (30 cm) clearance at right side for proper air circulation and ease of maintenance and/or service should they be required.

### **New Lower Icemaker Installation Instructions**

- 1) Follow the Instruction Manual's installation instructions through "II.D. Setup." When complete, continue to step 2.  
Note: If installing an upper icemaker on an existing lower icemaker, skip to step 2.



## Preparing Existing Lower Icemaker

- 2) Remove the front panel and move the control switch to the "OFF" position and turn off the power supply. Place the icemaker disconnect (if applicable) in the "OFF" position. Lockout/Tagout to prevent the power supply from being turned back on inadvertently. **WARNING! Control switch in "OFF" position does not de-energize all loads.**
- 3) Empty the ice storage bin of all ice.
- 4) Remove the top, left, and right panels. See "II.C. How to Remove Panels" in the instruction manual. Also remove the lower rear panel. See Fig. 1.
- 5) Remove the top frame front gasket from the lower icemaker. See Fig. 1. Next, place the top panel hook provided in this kit, on top of the frame, then place the gasket provided in this kit, on top of the top panel hook.

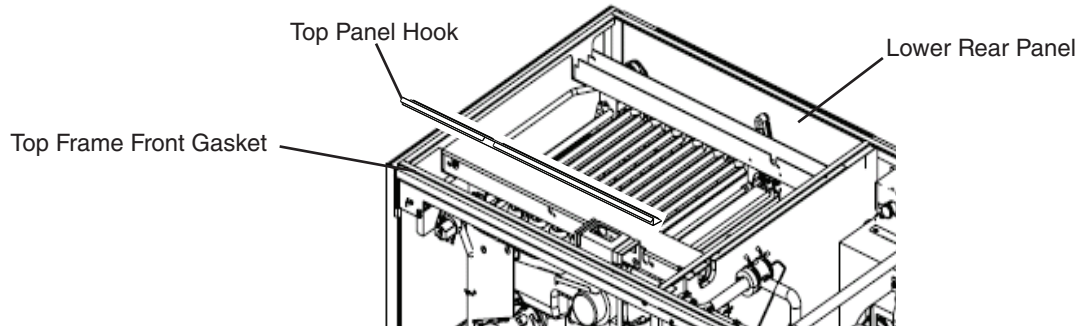


Fig. 1

- 6) Remove connector guide A, then disconnect the bin control connector located in the wire channel. See Fig. 2.

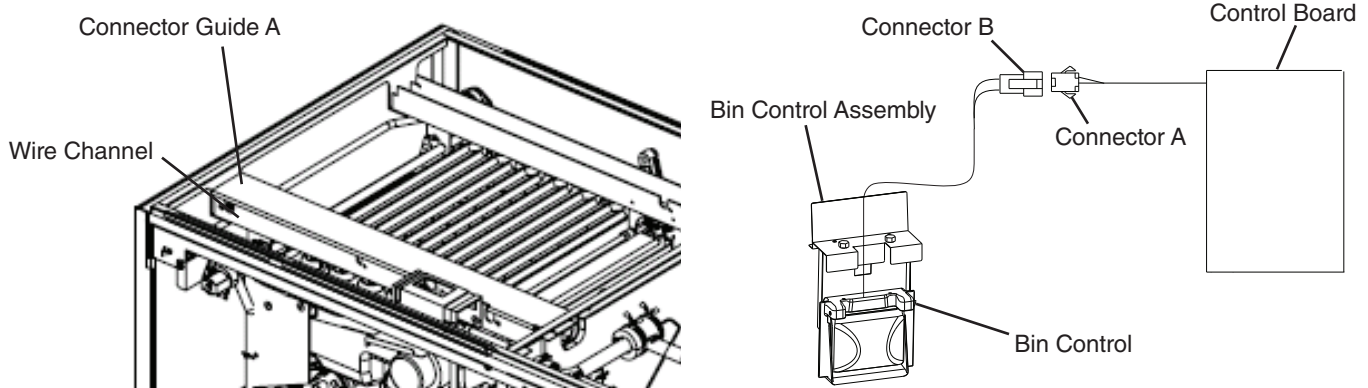


Fig. 2

- 7) Connect the wire harness provided in this kit, to bin control connector B and control board connector A. See Fig. 3.

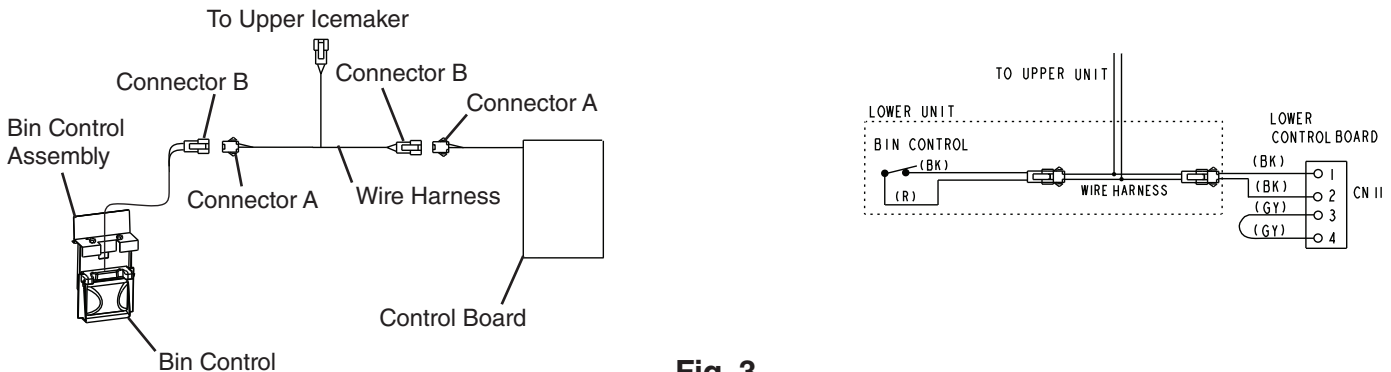
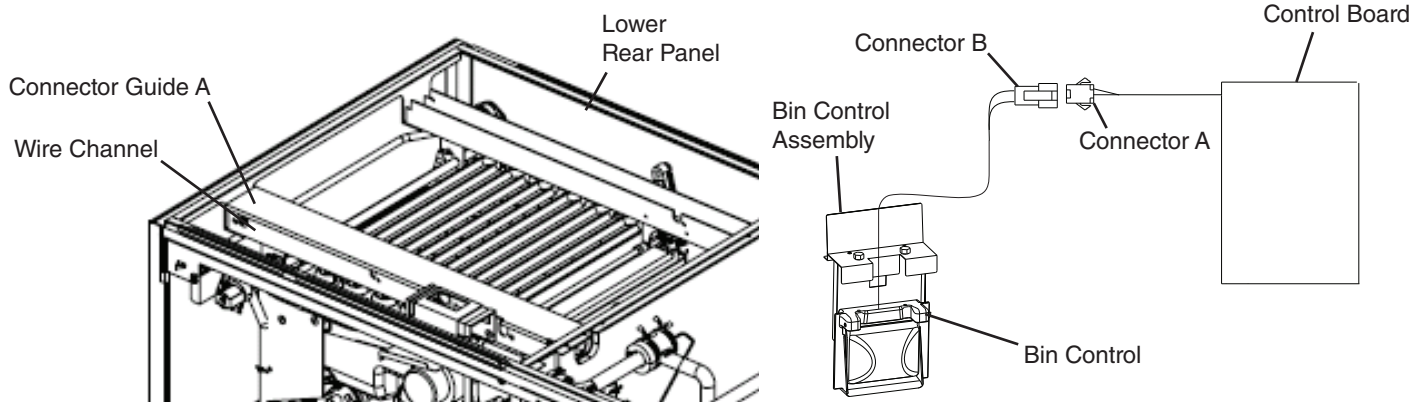


Fig. 3

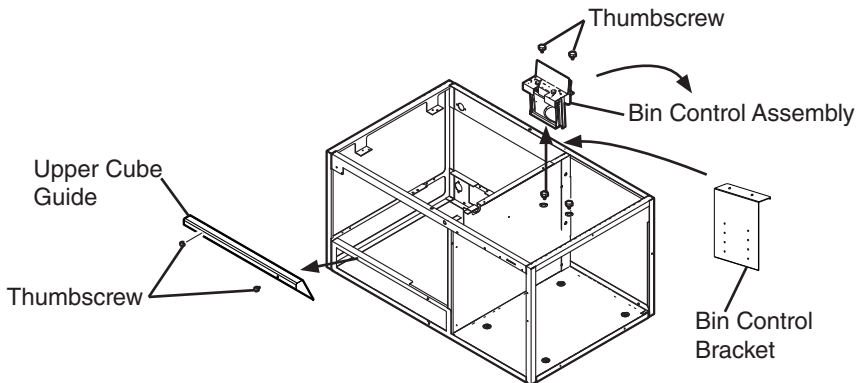
## Upper Icemaker Installation Instructions

- 8) Remove the top, left, and right panels. See "II.C. How to Remove Panels" in the instruction manual. Also, if not already removed, remove the lower rear panel. See Fig. 4.
- 9) Remove the protective plastic film from the panels. If the icemaker is exposed to the sun or to heat, remove the film after the icemaker cools.
- 10) Remove the package containing the accessories.
- 11) Remove the shipping tape holding the bin control switch.
- 12) Remove connector guide A, then disconnect the bin control connectors located in the wire channel. See Fig. 4.

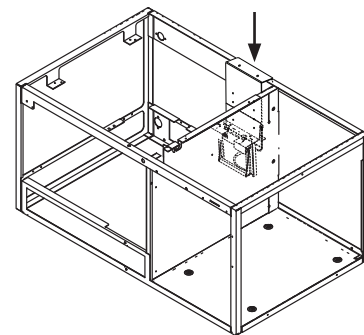


**Fig. 4**

- 13) Remove and discard the upper bin control assembly (bin control switch and bin control mounting bracket) and thumbscrews. Remove the cube guide and thumbscrews. Discard the upper cube guide. Retain one of the thumbscrews for use later in these instructions. See Fig. 5a.
- 14) Secure the bin control bracket to previous assembly holes. Place the bin control assembly to the bracket at desired height, use thumbscrews to secure in place. See Fig. 5b.

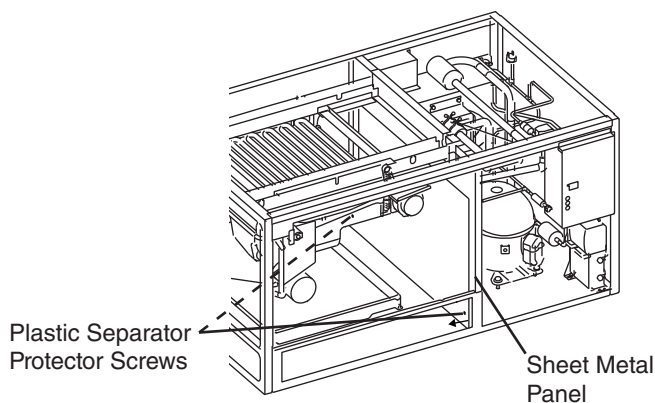


**Fig. 5a**

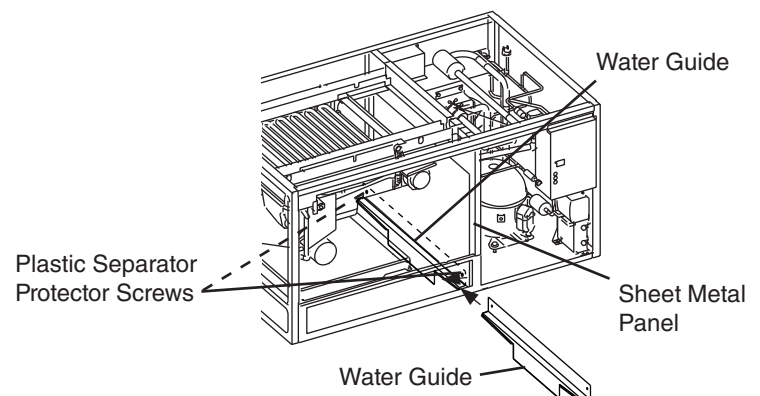


**Fig. 5b**

- 15) Remove the 2 plastic separator protector screws, then pull the plastic separator protector out slightly. Slide the water guide provided in this kit, between the plastic separator protector and sheet metal panel. See Figs. 6 and 7. Replace the 2 plastic separator protector screws.

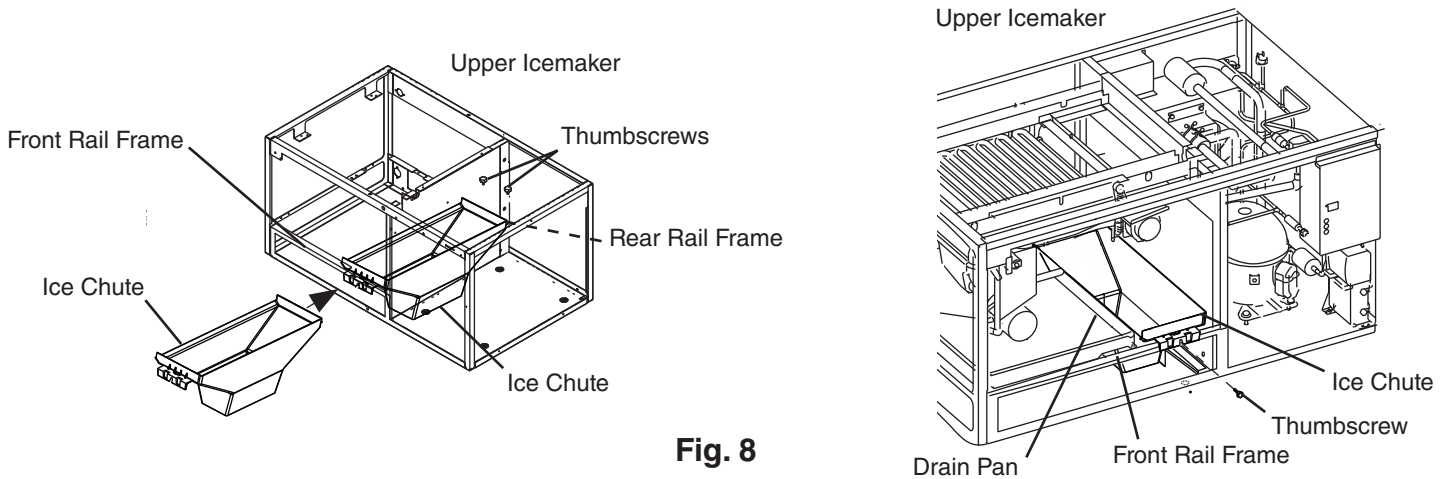


**Fig. 6**



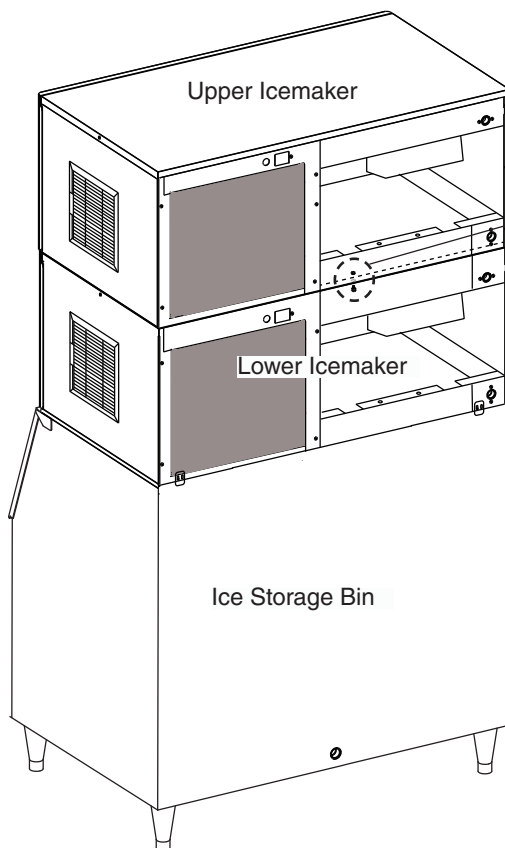
**Fig. 7**

- 16) Place the new ice chute provided in this kit in position as shown in Fig. 8. Secure the rear of the ice chute to the upper icemaker rear rail frame (bin control mounting bracket holes) with the new thumbscrews provided in this kit. Secure front of the ice chute to the upper icemaker front rail frame (cube guide mounting hole) with the cube guide thumbscrew removed in step 13. Confirm that the front of the ice chute clips over the front rail frame of the upper icemaker and that the drain pan is not sitting on top of the ice chute. **NOTICE! Confirm the drain pan is not sitting on top of the new ice chute.**

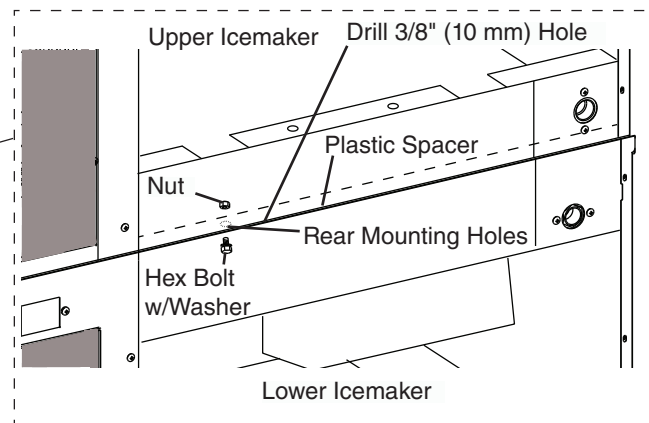


**Fig. 8**

- 17) Stack the upper icemaker on top of the lower icemaker. Use of a duct jack may be required. See Fig. 9. **WARNING! Icemaker is heavy. Use care when lifting or positioning. Work in pairs when needed and use a duct jack if available to prevent injury or damage.**
- 18) Once in place, make the front, rear, and side panels flush to the lower icemaker. See Fig. 9.
- 19) At the rear of the icemakers, locate the upper and lower icemakers rear mounting holes. See Fig. 9. To prevent plastic shavings from entering the ice storage bin area during drilling, place a large pan or cloth under the icemakers rear mounting holes. Using the icemakers upper or lower mounting hole as a guide, drill a 3/8" (10 mm) hole down or up through the top plastic spacer between the upper and lower icemaker. See Fig. 10.
- 20) Secure the upper icemaker to the lower icemaker using one of the hex bolts w/washer and nuts provided in this kit. See Fig. 10.

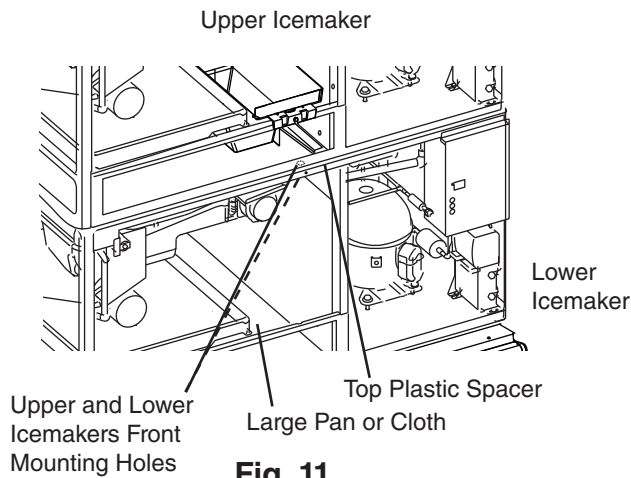


**Fig. 9**

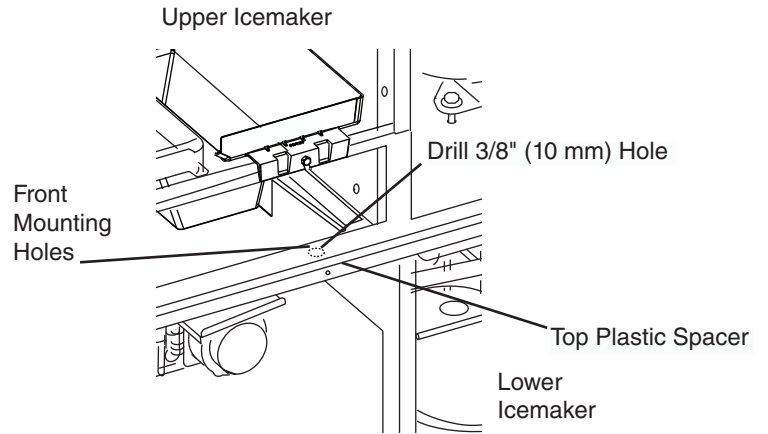


**Fig. 10**

21) At the front of the icemakers, locate the lower and upper icemakers front mounting holes. See Fig. 11. To prevent plastic shavings from entering the ice storage bin area during drilling, place a large pan or cloth under the icemakers front mounting holes. Using the lower icemakers mounting hole as a guide, drill a 3/8" (10 mm) hole up through the top plastic spacer between the upper and lower icemaker. See Fig. 12.



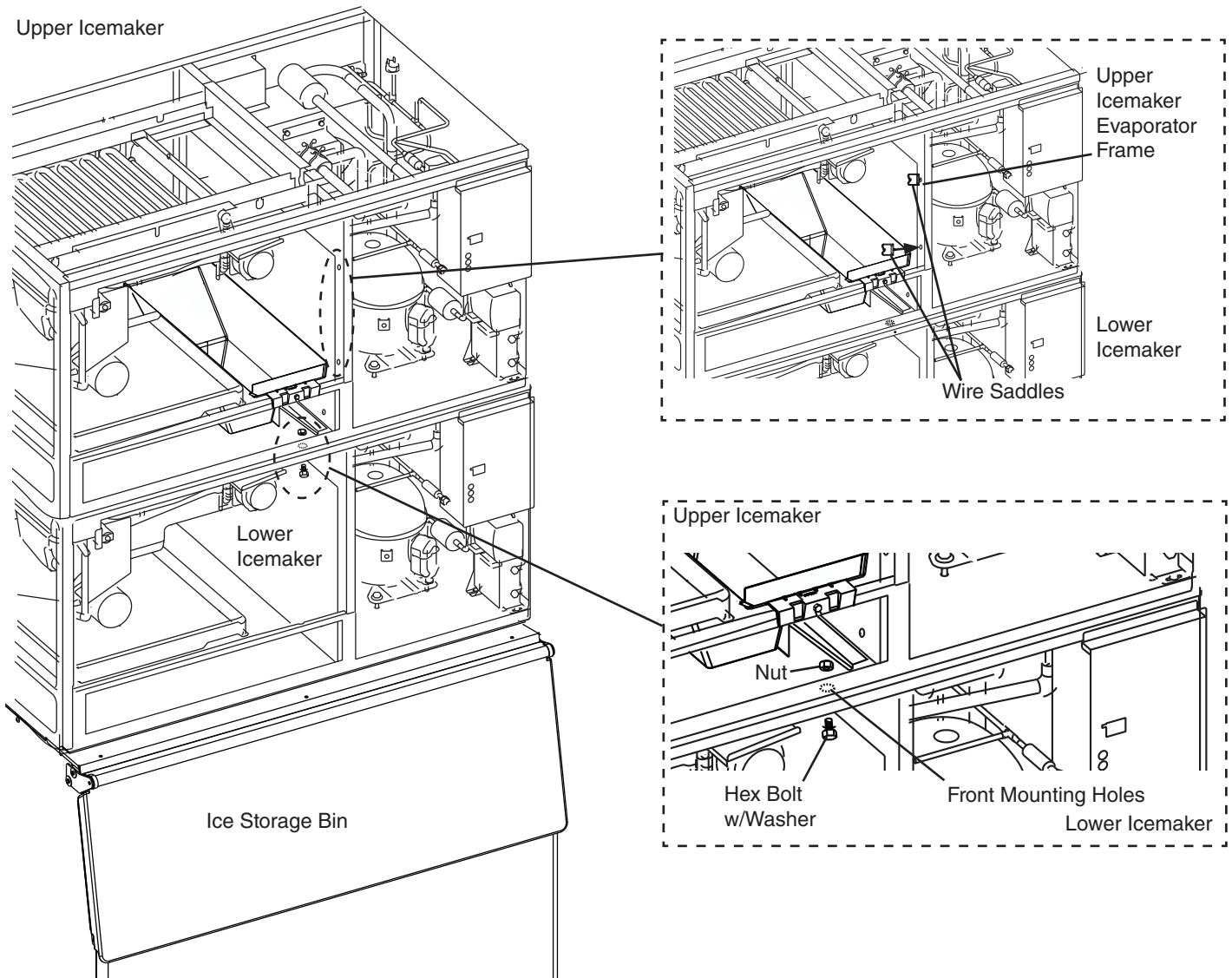
**Fig. 11**



**Fig. 12**

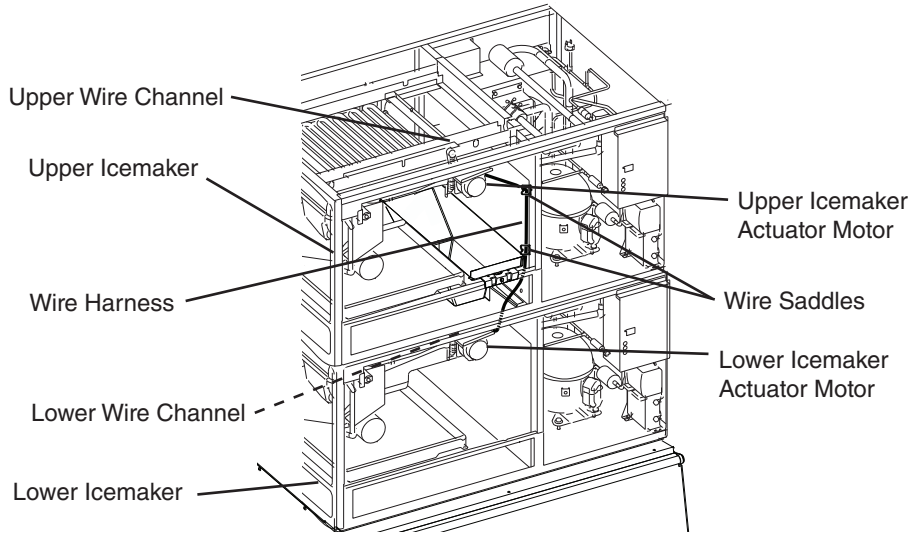
22) Secure the upper icemaker to the lower icemaker using the remaining hex bolt w/washer and nut provided in this kit. See Fig. 13.

23) Place the wire saddles provided in this kit, into the upper icemaker evaporator frame. See Fig. 13.



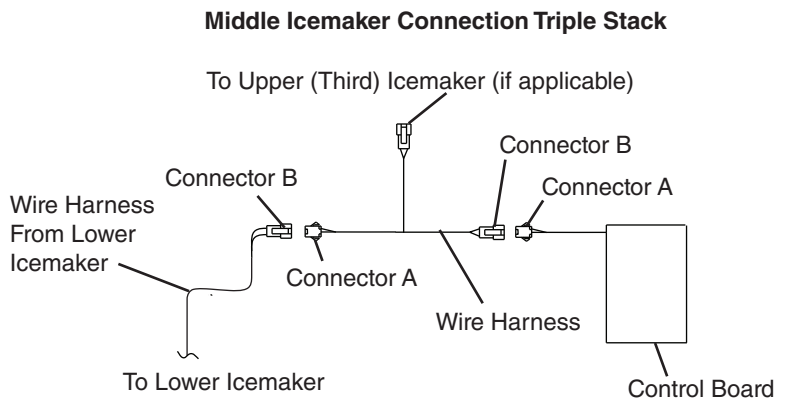
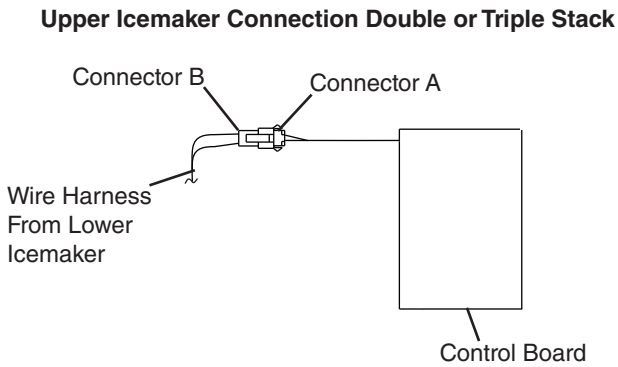
**Fig. 13**

- 24) Route the wire harness from the lower wire channel through the lower wire channel access hole with the lower icemaker actuator motor wires. Then, up into the upper icemaker between the frame and the new ice chute through the wire saddles and into the upper wire channel through the upper wire channel access hole with the upper icemaker actuator motor wires. See Fig. 14.



**Fig. 14**

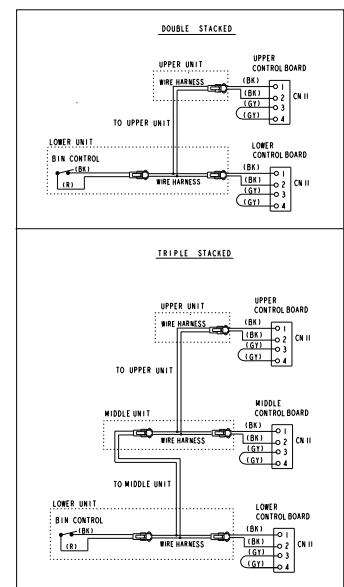
- 25) Connect wire harness connector B to the control board connector A. See Fig. 15. Replace connector guide A on all icemakers.



**Fig. 15**

- 26) If stacking 3 icemakers, repeat steps 5 - 25.  
 27) Follow the instruction manual instructions to complete the lower (if applicable) and upper icemaker electrical, water, and drain installation requirements. See sections "II.E." through "II.H."  
 28) When performing step 12 in "II.H. Startup." Confirm that all icemakers shutdown within 15 sec. after pressing the bin control paddle.  
 29) Place the wiring label provided in this kit on the control box cover. See Fig. 16.  
 30) Replace and secure all parts and panels in their correct positions.  
 31) Make sure all food zones, surface areas, and icemakers are wiped down, cleaned, and sanitized after installation.

**Double or Triple Stacked Wiring Label**



**Fig. 16**