

# Hoshizaki Foot Pedal Kit

## HS-5378 for Left-Hinged Door

## HS-5379 for Right-Hinged Door

For Use with the Following Hoshizaki Reach-In:  
Commercial CR1S-xxxx, CF1S-xxxx, R1A-xxxx, or F1A-xxxx  
Upright Refrigerator or Freezer

Check to ensure that all parts are included:

Index No.	Description	HS Kit	Part Number	Qty
1	Left-Hinged Door Foot Pedal	HS-5378	28860A01	1
2	Right-Hinged Door Foot Pedal	HS-5379	28861A01	1
4	Retainer	All	4A5228-01	1
5	Truss Head Screw (5x10, SS)	All	7C32-0510	4

### ⚠ WARNING

- This appliance should be serviced only by qualified service personnel to reduce the risk of death, electric shock, serious injury, or fire.
- No installation or service should be undertaken until the technician has thoroughly read these instructions.
- Failure to install this kit in accordance with these instructions will adversely affect safety, performance, component life, and warranty coverage.
- To reduce the risk of electric shock, do not touch the plug with damp hands.
- Before servicing; Move all foods into another clean refrigerator or freezer, then unplug the appliance from the electrical outlet.
- Make sure all food zones are clean after the appliance is serviced.

### Installation Instructions

- 1) Move all foods into another clean refrigerator or freezer, then unplug the appliance from the electrical outlet.
- 2) Lock the appliance's front casters, then open the door and block it to prevent it from closing.
- 3) Remove the filler screws from their mounting locations. See Fig. 1.

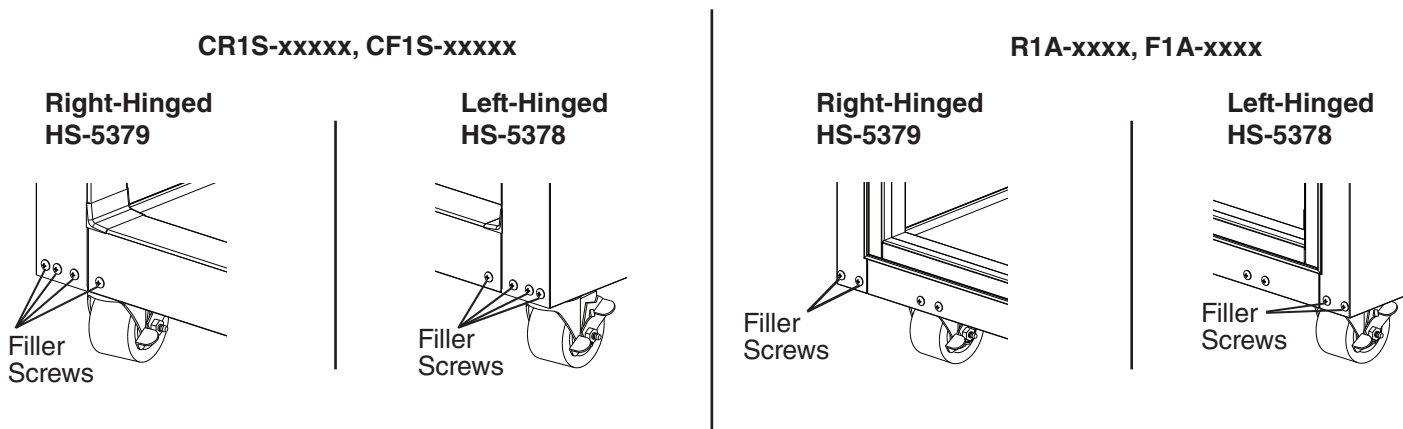


Fig. 1

4) Slide the foot pedal to the inner side as illustrated in Fig. 2. Next, place the foot pedal assembly in position and secure to the cabinet with 5×10 truss head screw(s) provided in this kit. Do not tighten completely.

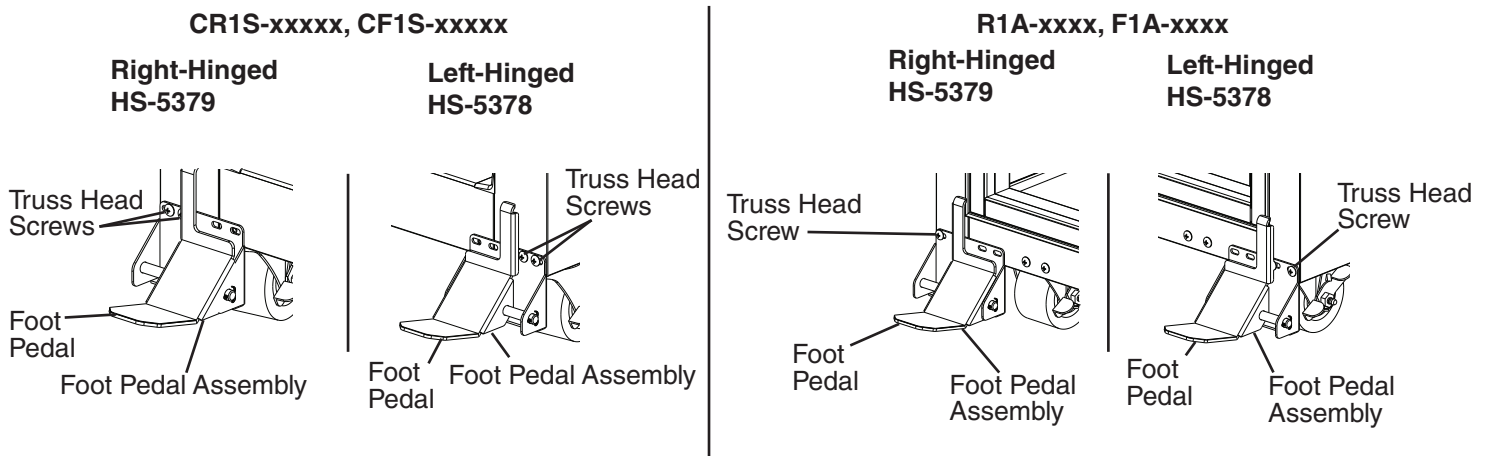


Fig. 2

5) Slide the foot pedal to the outer side as illustrated in Fig. 3. Next, place a 5×10 truss head screw provided in this kit, into the exposed hole and tighten, then return and tighten the 5×10 truss head screw(s) installed in step 4.

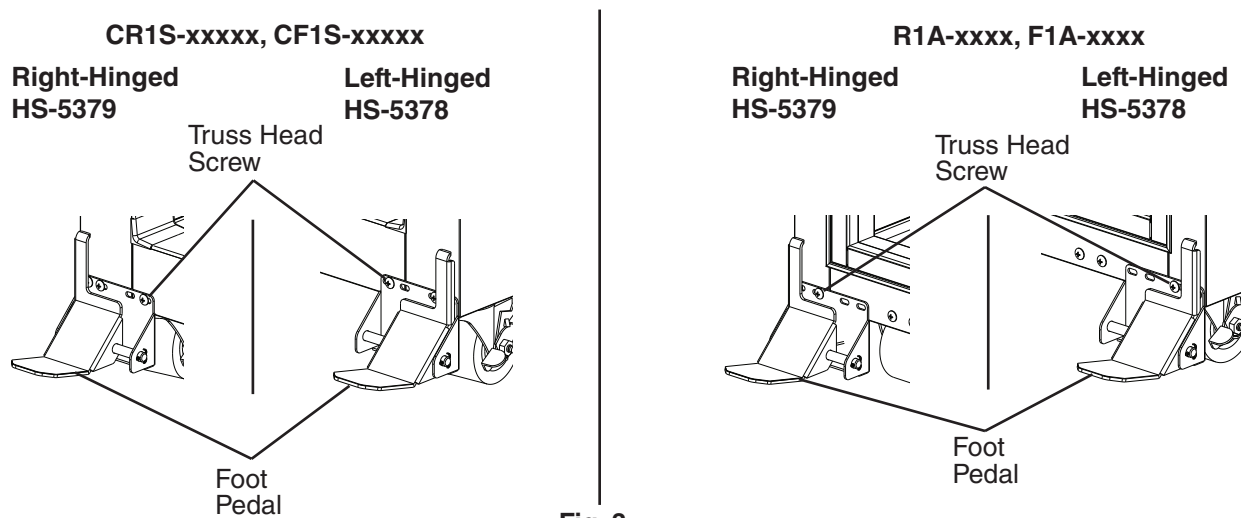


Fig. 3

6) Position the foot pedal so that the actuator will contact the outer part of the door. Secure the retainer provided in this kit, to the foot pedal assembly with a the 5×10 truss head screw provided in this kit. See Fig. 4. **NOTICE! Foot pedals are specifically designed for right-hinged or left-hinged doors. The actuator goes towards the outer part of the door. Improper placement may result in damage to the gasket.**

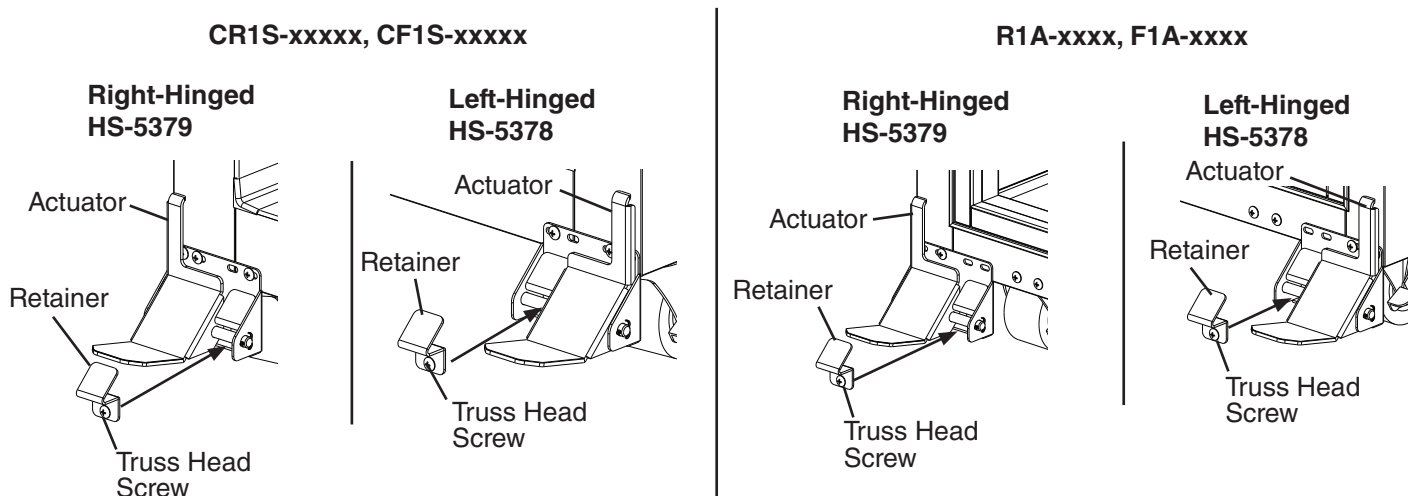


Fig. 4