

# Hoshizaki Heated Condensate Pan Kit

HS-5249

For use with Hoshizaki Commercial Pizza Prep and Open Top Models

Check to ensure that all parts are included:

Index No.	Description	Part Number	Qty
1	Heated Condensate Pan	4A6043-01	1
2	Harness - Plug	4A6049-01	1
3	Cable Tie	8911-0200	4
4	Bell Connector	8101-12CE	3
5	Wire Label	3A9368-01	1
6	Condensate Pan Bracket	2A8491-01	1

## WARNING

- Only qualified service technicians should install this kit to reduce the risk of death, electric shock, serious injury, or fire.
- Appliance is heavy. Use care when lifting or positioning. Work in pairs when needed to prevent injury or damage.
- No installation or service should be undertaken until the technician has thoroughly read these instructions. Failure to follow these instructions will adversely affect safety, performance, component life and warranty coverage, and may result in costly water damage.
- Move all foods into another clean refrigerator or freezer before unplugging appliance.
- To reduce the risk of electric shock, do not touch the plug with damp hands.
- **Before Servicing:** Unplug the appliance from the electrical outlet.

### Installation Instructions for CPT Models:

1. Remove 2 lower screws from front panel and pull panel from mounting clips and set aside, take care not to pull wire harness or thermistors from controller. See Fig. 1
2. Remove upper front screw and 2 rear screws from the rear UL panel. See Fig. 2
3. Slide side panel forward and down to remove from mounting screws, set side panel aside.
4. Remove drain hose from drain pan, take this time to check condition of drain hose and remove any debris or clog in drain tube. See Fig. 3
5. Lift plastic drain pan from support brackets, removal of rear UL cover may be need to gain better access.
6. Locate main power supply cord, remove cable ties to gain access to the black power wire, White Neutral and Green Ground wire.
7. Remove Bell connectors and attach supply wires from Plug Harness, use supplied Bell Connectors to reattach wires.
8. Use supplied cable ties to bundle wires back to original location.
9. Remove original pan brackets and discard, install new supplied brackets from Kit. Place heated condensate pan into pan brackets, route heated pan power wire to the back side of pan and connect pan plug to plug harness. Secure plug connection with supplied cable ties. See Fig 4-5
10. Insert drain pipe into pan, make sure drain pipe does not make contact with heating element.
11. Perform safety check of all wires and connections.
12. Install all panels in reverse order.
13. Place wire harness label next to original label location.

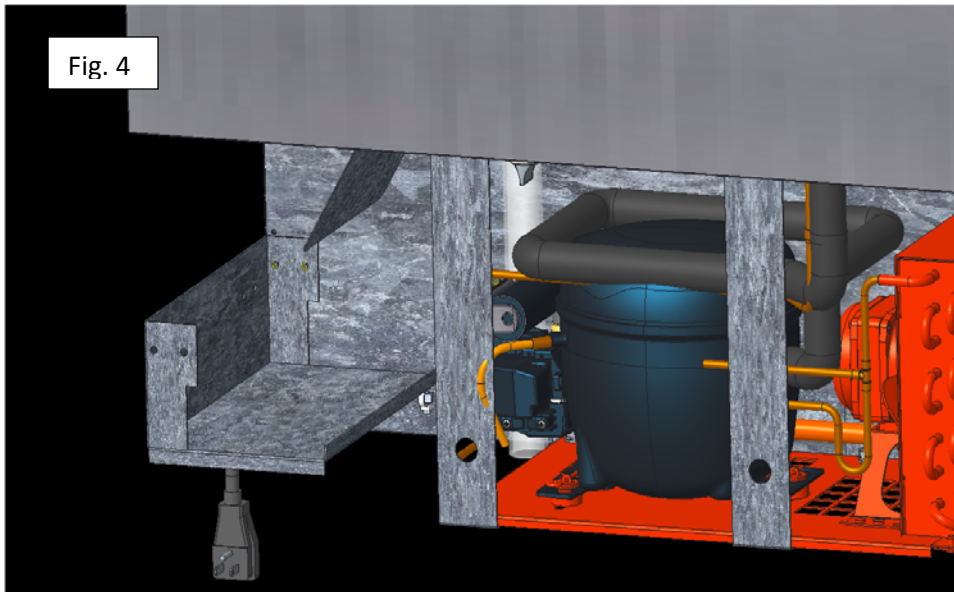
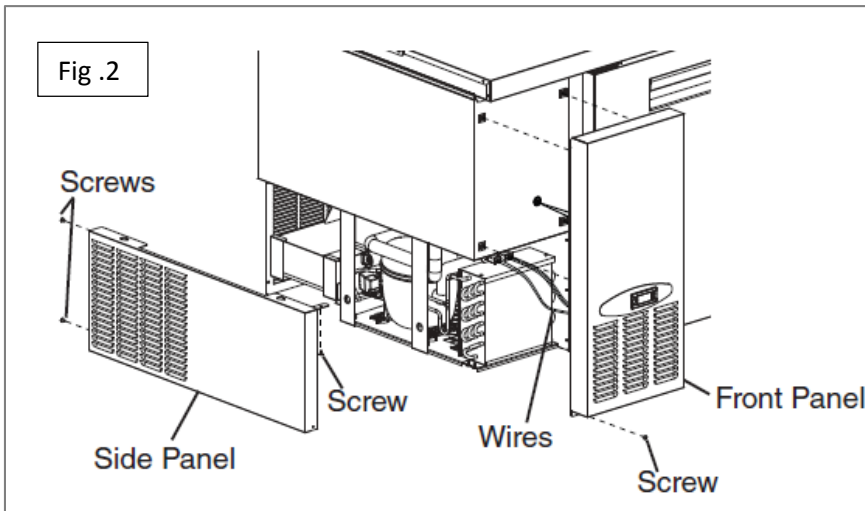
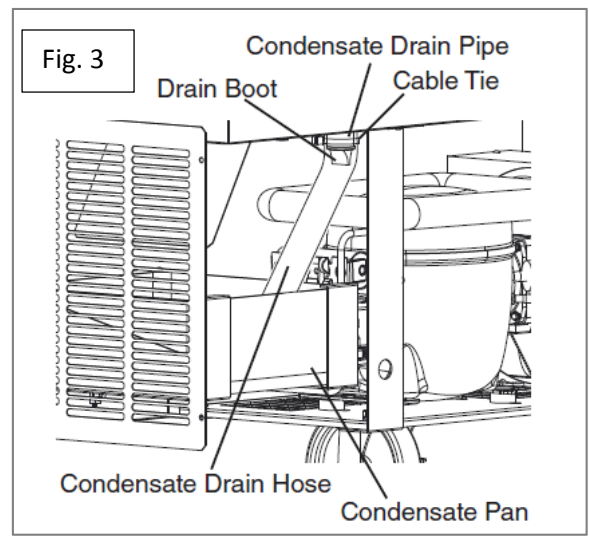
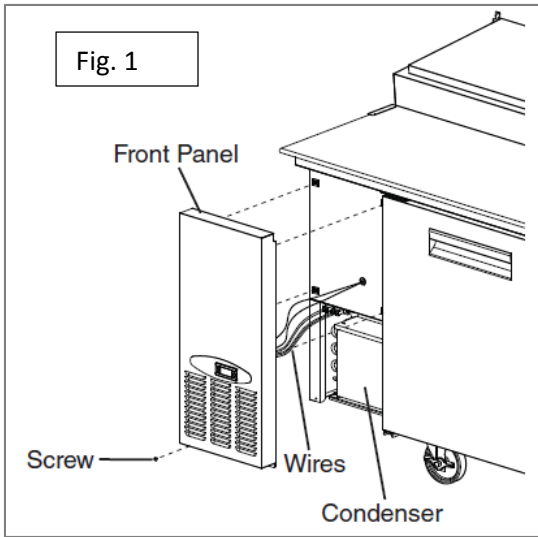
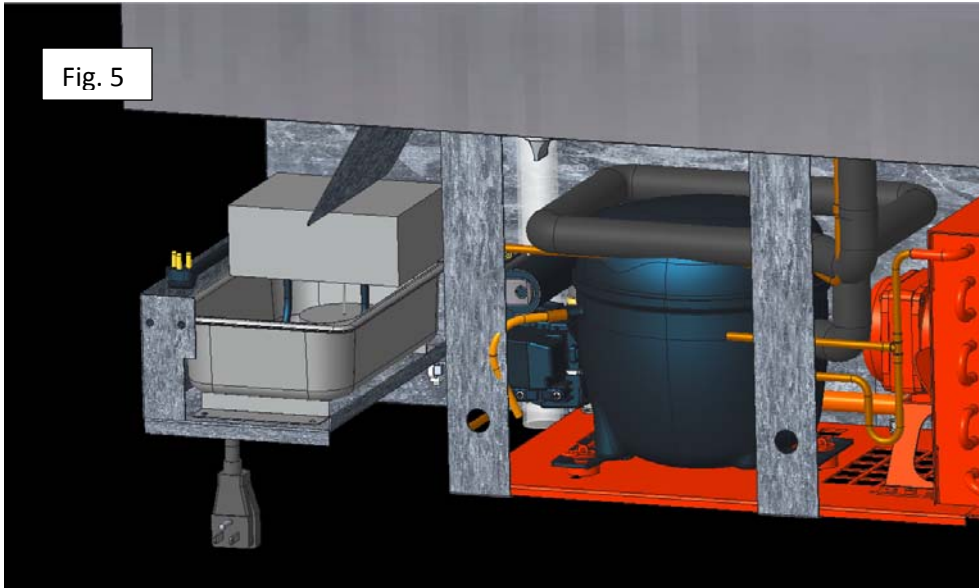


Fig. 5



#### **Installation Instructions for Open Top Models:**

1. Remove Rear UL cover from unit.
2. Remove drain hose from drain pan, take this time to check condition of drain hose and remove any debris or clog in drain tube.
3. Remove plastic drain pan and both left and right mounting brackets.
4. Locate main power supply cord, remove cable ties to gain access to the black power wire, White Neutral and Green Ground wire.
5. Remove Bell connectors and attach supply wires from Plug Harness, use supplied Bell Connectors to reattach wires.
6. Use supplied cable ties to bundle wires back to original location.
7. Install new supplied brackets from Kit. Place heated condensate pan into pan brackets, route heated pan power wire to the back side of pan and connect pan plug to plug harness. Secure plug connection with supplied cable ties. See Fig 6-7
8. Insert drain pipe into pan, make sure drain pipe does not make contact with heating element.
9. Perform safety check of all wires and connections.
10. Install all panels in reverse order.
11. Place wire harness label next to original label location.

Fig. 6

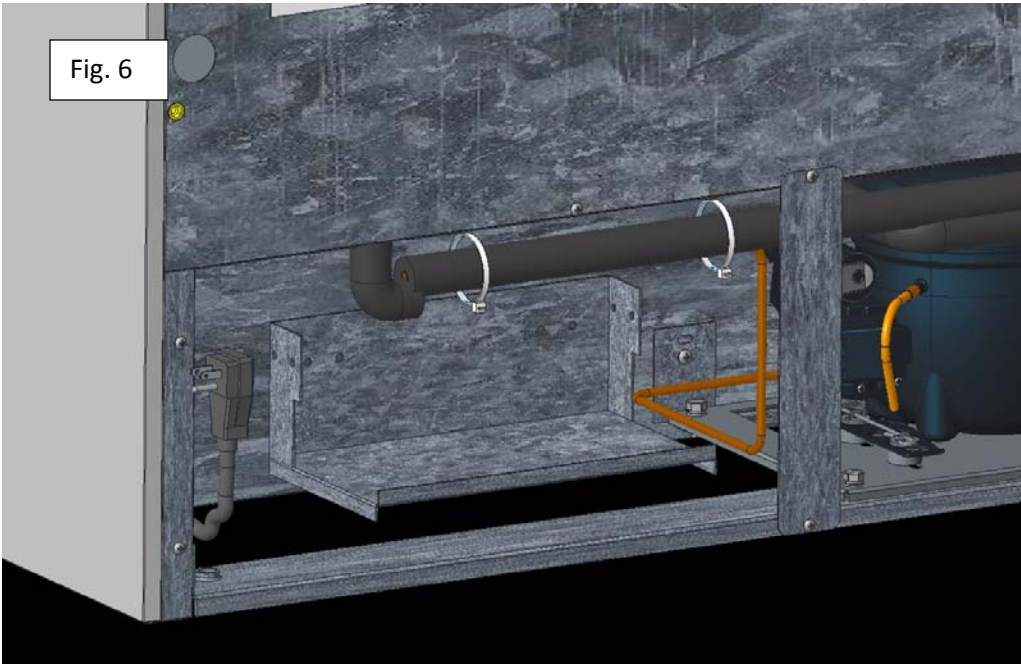


Fig. 7

