



HOSHIZAKI

Parts List

Refrigerator

Model

HR24C

hoshizakiamerica.com

Number: HR24C
Issued: 03-26-2019
Revised: 09-02-2025

TABLE OF CONTENTS

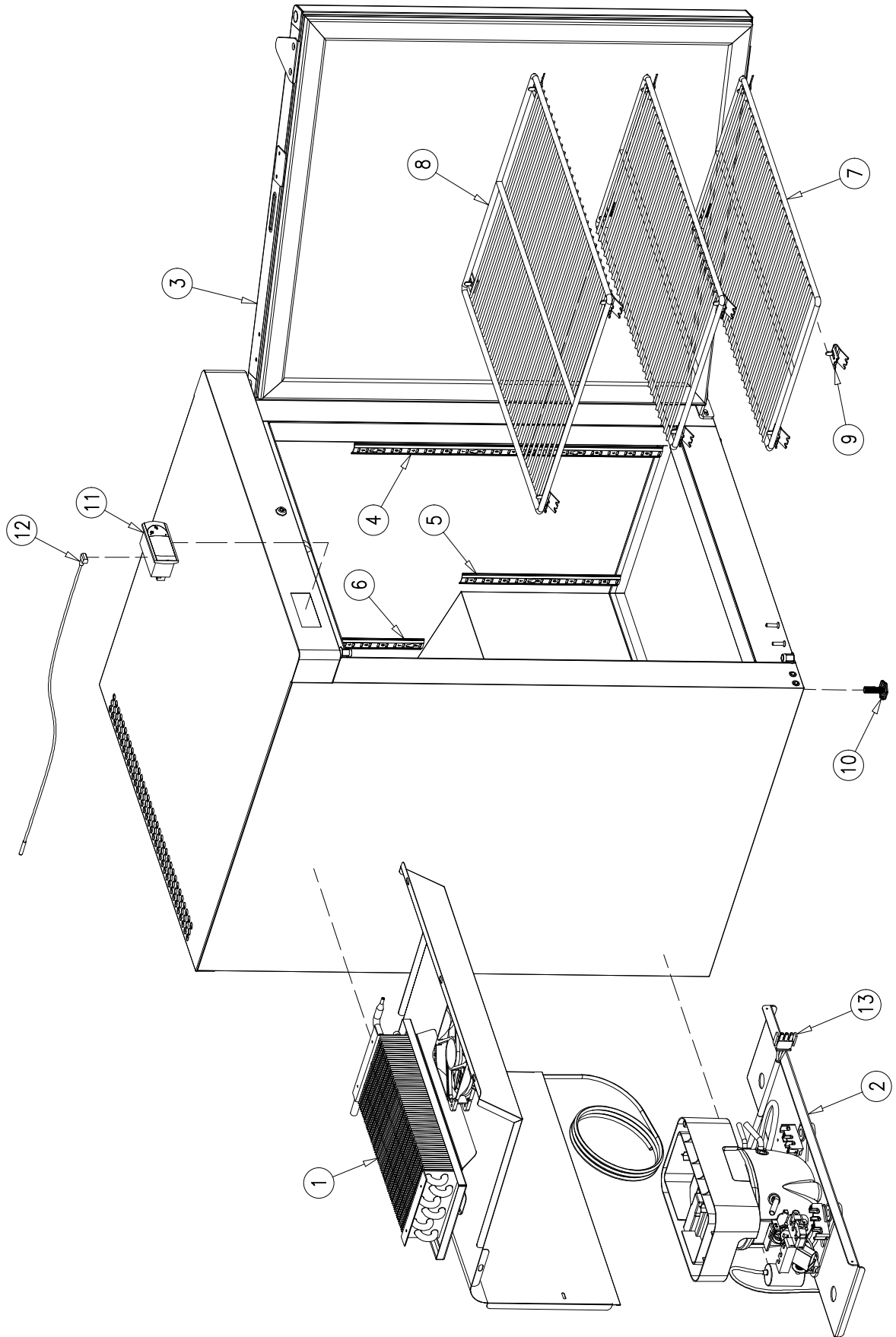
MAIN ASSEMBLY	3
EVAPORATOR ASSEMBLY	5
CONDENSING UNIT ASSEMBLY	7
DOOR ASSEMBLY	9
LIGHTING SYSTEM.....	11

NOTE:

To order spare parts, always include the following information:

- *Model Number* _____
- *Serial Number* _____

MAIN ASSEMBLY



HR24C

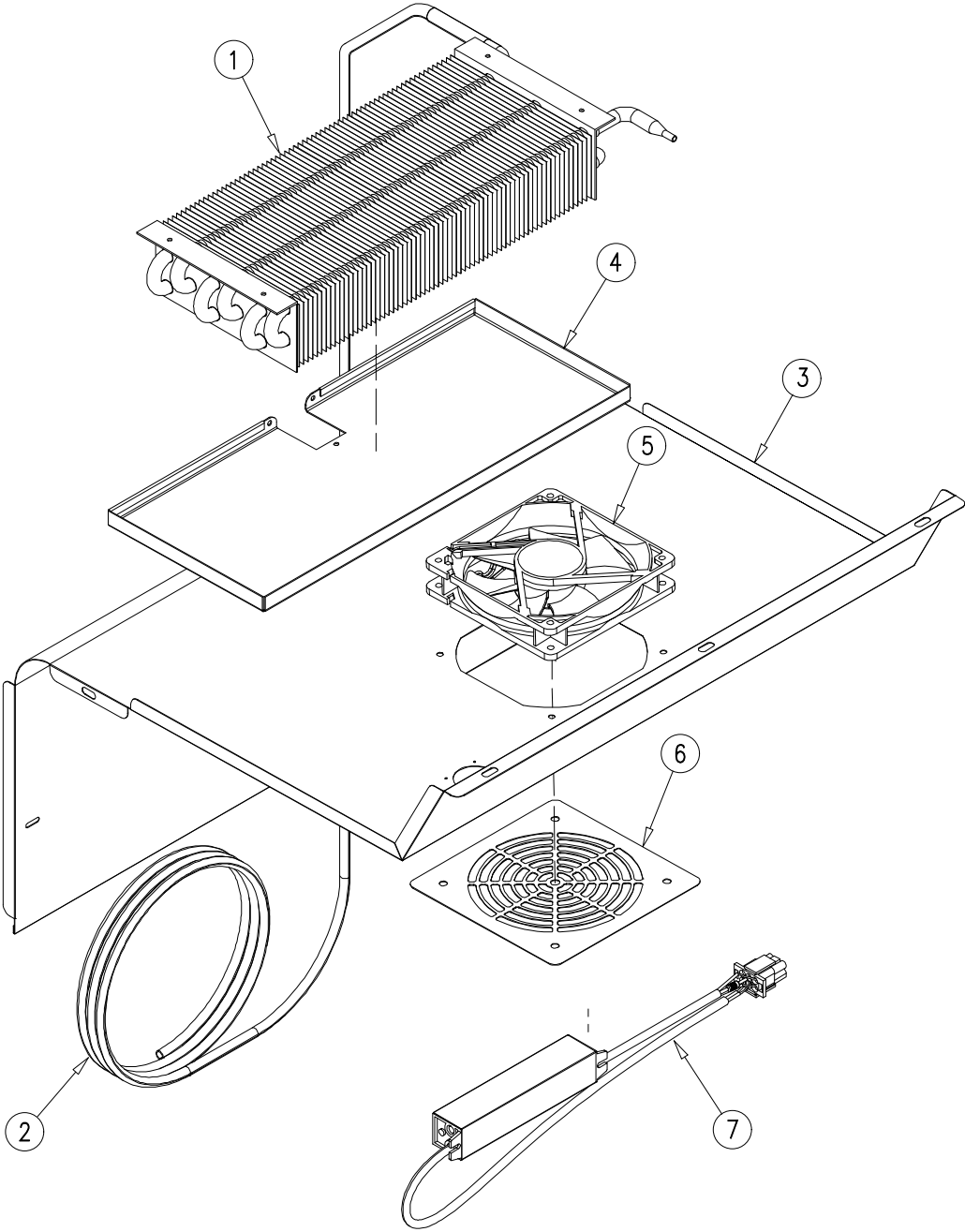
MAIN ASSEMBLY

<i>Item No.</i>	<i>Description</i>	<i>Part No.</i>	<i>Quantity per cooler</i>
1	EVAPORATOR ASSEMBLY	OT-EV-0207	1
2	CONDENSING UNIT ASSEMBLY	OT-UN-0390	1
3	DOOR ASSEMBLY	OT-PTA-0243	1
4	PILASTER (18 15/32")	PI-74-48-469	2
5	PILASTER (9 15/32")	PI-74-48-240	2
6	PILASTER (8")	PI-74-48-203	2
7	FLAT SHELF	SH-0555-HD-GR	2
8	FLAT SHELF	SH-0556-HD-GR	1
9	SHELF CLIPS	CL-51-SS-E	12
10	LEGS	LG-26-E	4
11	CONTROL MODULE	CT-195-CA-074	1
12	CABINET THERMISTOR	CT-185-1-CA	1
13	POWER CORD (9 ft)	EL-1260-9*	1

*Parts Change With Serial Number Break

ITEM No.	Description	Interchangeable	Previous Component	Hoshizaki Last Serial Number and Earlier	Current Component	Hoshizaki First Serial Number and Later
13	POWER CORD	YES	OT-EL-1265-9-4784	N-00345(G)	EL-1260-9	N-00255(J)

EVAPORATOR ASSEMBLY



EVAPORATOR ASSEMBLY

<i>Item No.</i>	<i>Description</i>	<i>Part No.</i>	<i>Quantity per cooler</i>
1	EVAPORATOR	CO-250-I-EC	1
2	HEAT EXCHANGER	TUB-1190	1
3	BAFFLE	OT-21902	1
4	EVAPORATOR PAN KIT	OT-21901*	1
5	EVAPORATOR FAN MOTOR	OT-FA-93-0396	1
6	FAN GUARD	OT-24335**	1
7	FAN POWER SUPPLY	OT-EL-151-T	1

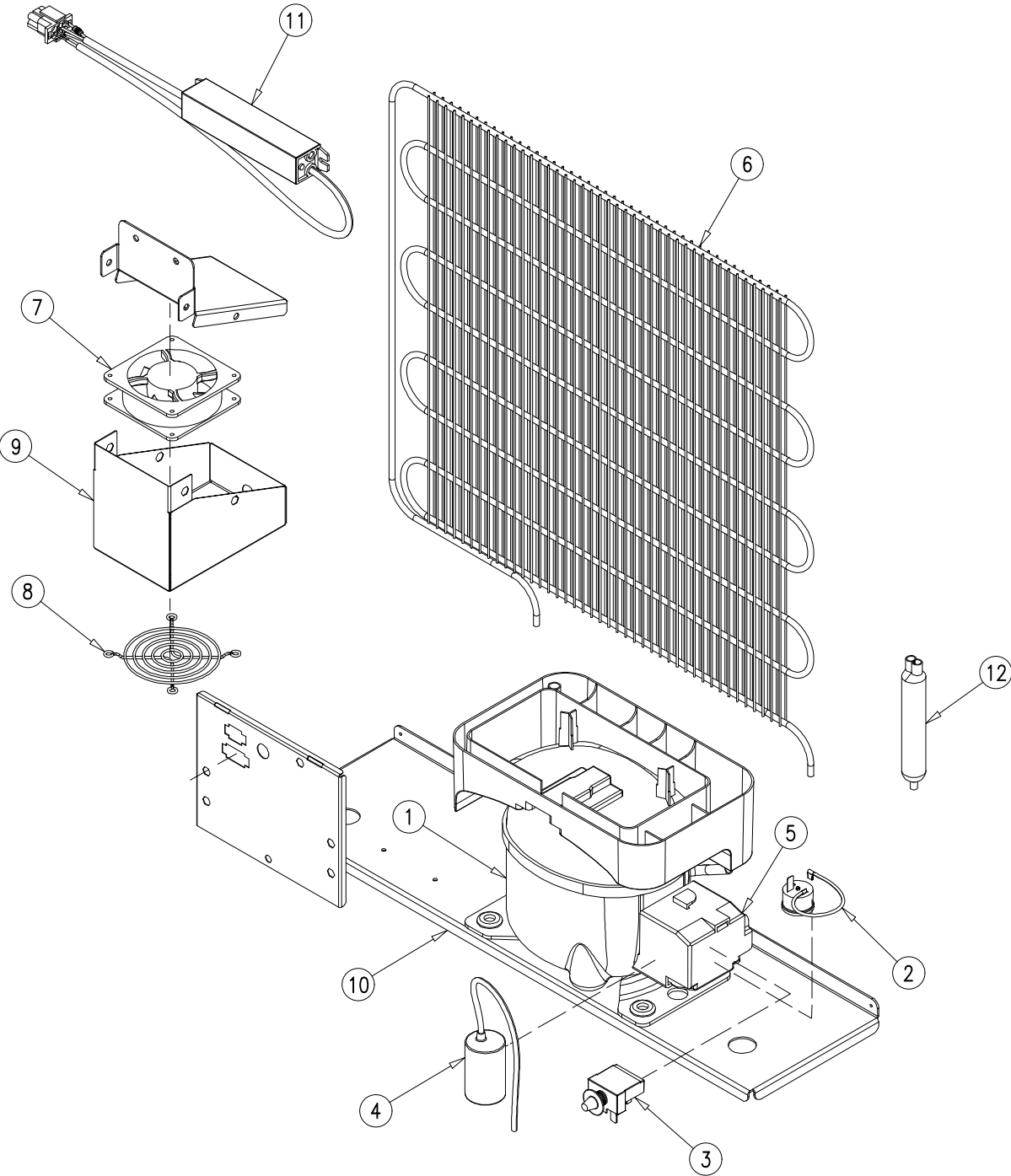
* THE PART NUMBER OT-21901 (K) INCLUDES:

EVAPORATOR PAN OT-21901
EVAPORATOR PAN COMPLEMENT OT-21912

**Parts Change With Serial Number Break

ITEM No.	Description	Interchangeable	Previous Component	Hoshizaki Last Serial Number and Earlier	Current Component	Hoshizaki First Serial Number and Later
5	FAN GUARD	YES	FA-106	P-00196(A)	OT-24335	P-00166(H)

CONDENSING UNIT ASSEMBLY



CONDENSING UNIT ASSEMBLY

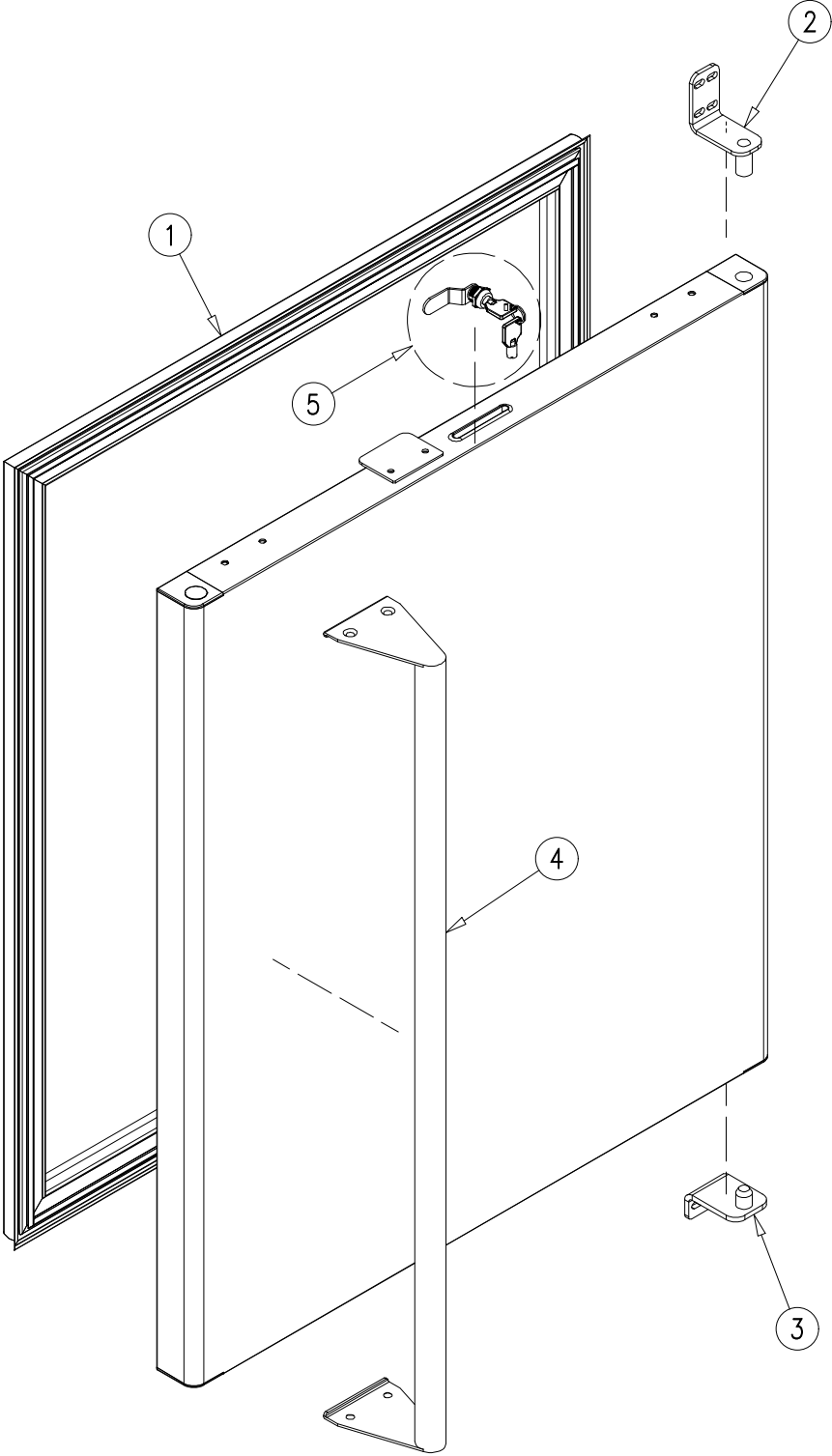
<i>Item No.</i>	<i>Description</i>	<i>Part No.</i>	<i>Quantity per cooler</i>
1	COMPRESSOR (115V/60HZ R600a)	HYB50MGU72A	1
2	EXTERNAL PROTECTOR (DRB22P61A1)	EL-2155-R	1
3	PTC RELAY (QP2-4R7 12A 180V)	EL-2154-R	1
4	RUN CAPACITOR (6μF 250V)	CAP-6-250	1
5	ELECTRICAL BOX	EL-2156-R	1
6	CONDENSER	CO-468	1
7	CONDENSER FAN MOTOR	FA-88*	1
8	FAN GUARD	FA-87	1
9	CONDENSER FAN MOTOR BRACKET KIT	OT-21924**	1
10	CONDENSING UNIT BASE	OT-21926	1
11	FAN POWER SUPPLY	OT-EL-151-T	1
12	DRIER	DR-31	1

** THE PART NUMBER [OT-21924](#) (K) INCLUDES:

CONDENSER FAN MOTOR BRACKET [OT-21924](#)
 CONDENSER FAN MOTOR BRACKET COMPLEMENT OT-21925

*Parts Change With Serial Number Break						
ITEM No.	Description	Inter-changeable	Previous Component	Hoshizaki Last Serial Number and Earlier	Current Component	Hoshizaki First Serial Number and Later
7	CONDENSER FAN MOTOR	YES	FA-95	L-00365(E)	FA-88	L-01013(G)

DOOR ASSEMBLY



DOOR ASSEMBLY

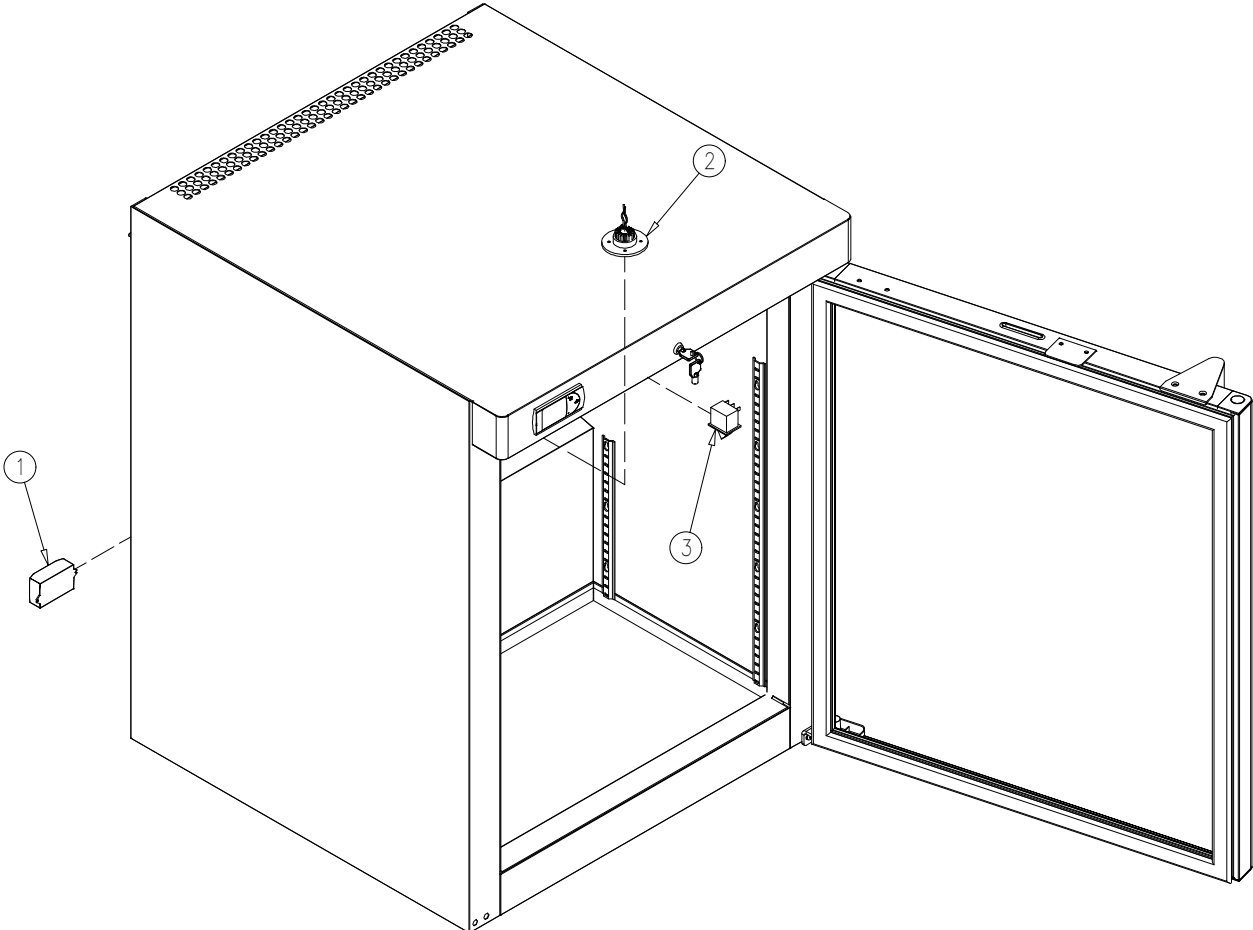
<i>Item No.</i>	<i>Description</i>	<i>Part No.</i>	<i>Quantity per cooler</i>
1	MAGNETIC GASKET	OT-GA-500-PTA-0243*	1
2	UPPER HINGE ASSEMBLY	HA-608-SS-16-K*	1
3	LOWER HINGE ASSEMBLY	HA-609-SS-16-K*	1
4	DOOR HANDLE	HA-634-SS-K	1
5	LOCKING SYSTEM KIT	HA-606-K**	1

** THE PART NUMBER HA-606-K INCLUDES:

LOCKING SYSTEM HA-606
LONG LATCH BAR OT-21927

*Parts Change With Serial Number Break						
ITEM No.	Description	Inter-changeable	Previous Component	Hoshizaki Last Serial Number and Earlier	Current Component	Hoshizaki First Serial Number and Later
1	MAGNETIC GASKET	YES	OT-GA-400-PTA-0243	L-01452(M)	OT-GA-500-PTA-0243	L-01453(M)
2	UPPER HINGE ASSEMBLY	YES	HA-608-SS-13-K	L-01452(M)	HA-608-SS-16-K	L-01453(M)
3	LOWER HINGE ASSEMBLY	YES	HA-609-SS-13-K	L-01452(M)	HA-609-SS-16-K	L-01453(M)

LIGHTING SYSTEM



LIGHTING SYSTEM

<i>Item No.</i>	<i>Description</i>	<i>Part No.</i>	<i>Quantity per cooler</i>
1	LED DRIVER	OT-EL-254	1
2	CIRCULAR LED LIGHT	EL-253	1
3	LIGHT & MOTOR FAN SWITCH	EL-112-EX	1