



# HOSHIZAKI

## Parts List

Undercounter Refrigerator

Model  
HR24B



[hoshizakiamerica.com](http://hoshizakiamerica.com)

Number: 71419  
Issued: 6-13-2018

## CONTENTS

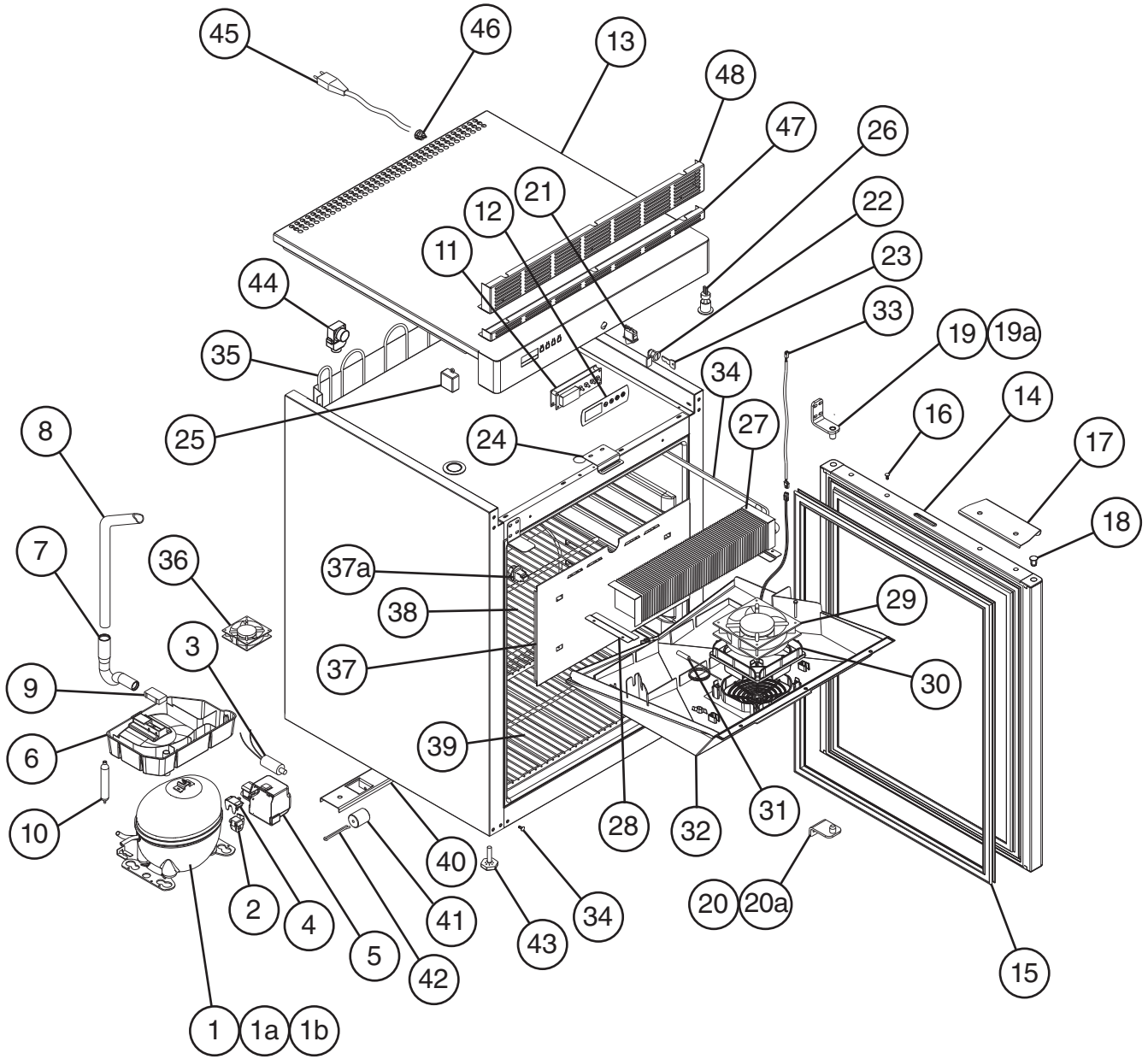
Production Date Code.....	2
A. Main Assembly .....	3

### **Production Date Code**

The production date code is expressed as WWYY (week and year). For example, a production code of "2511" indicates a unit was produced in the 25th week of 2011.

Production date codes in the table indicate initial production and production dates where changes were implemented.

# A. Main Assembly HR24B



Title: A. Main Assembly Model: HR24B												
Index No.	Description	Material or Model Number	Part Number	Required Number								
				4517								
1	Compressor		506001000	1								
1a	Rubber Bushing		760080519	4								
1b	Compressor Clip		760082367	2								
2	Start Relay		410588000	1								
3	Run Capacitor		451723550	1								
4	External Protector		500701500	1								
5	Relay Cover		452440050	1								
6	Condensate Pan		410820014	1								
7	Water Trap (P-Trap)		765081176	1								
8	Drain Pipe		761221755	1								
9	Condensate Pan Plug		410820015	1								
10	Drier		761221321	1								
11	Control Board		453580507	1								
12	Display Label		761221746	1								
13	Top Panel		761222650	1								
14	Door		761222652	1								
15	Door Gasket		761222708	1								
16	Hole Plug (Small)		765080501	6								
17	Door Handle		761222980	1								
18	Hole Plug (Large)		762110281	1								
19	Upper Hinge		761222790	1								
19a	Screw		422700300	2								
20	Lower Hinge		761222792	1								
20a	Screw		422700300	2								
21	Door Switch		765072852	1								
22	Door Lock		765080093	1								
23	Key		761220166	1								
24	Lock Bracket		761222766	1								
25	Light Trafo		765072843	1								
26	LED Light		450742018	1								
27	Evaporator		765080411	1								
28	Evaporator Bracket		761223070	1								
29	Evaporator Fan		765071196	1								
30	Rubber Gasket		761223110	1								
31	Cabinet Thermistor		453531507	1								
32	Evaporator Fan Shroud		761223100	1								
33	Evaporator Fan Wire Harness		765072696	1								
34	Heat Exchanger		761221421	1								
35	Condenser		761223010	1								
36	Condenser Fan Motor		765072864	1								
37	Rear Duct Panel		761223002	1								
37a	Duct Stand Off		765081214	4								
38	Large Wire Shelf	Gray	818721020	1								
39	Small Wire Shelf	Gray	818721021	2								
40	Roller Bracket		761223071	1								
41	Roller		765081256	2								
42	Pin		421931243	1								
43	Leg	M8x40	761223055	2								
44	Air Relief Valve		765081206	1								

Title: A. Main Assembly Model: HR24B												
Index No.	Description	Material or Model Number	Part Number	Required Number								
				4517								
45	Power Cord		765072881	1								
46	Power Cord Relief		452210002	1								
47	Toe Kick	20 mm	761222864	1								
48	Top Trim	63.5 mm	761222869	1								