



HOSHIZAKI

Instruction Manual

Undercounter Refrigerator

Models
HR24B



hoshizakiamerica.com

Issued: 5-11-2018

⚠ WARNING

Only qualified service technicians should install and service the appliance. To obtain the name and phone number of your local Hoshizaki Certified Service Representative, visit www.hoshizaki.com. No installation or service should be undertaken until the technician has thoroughly read this Instruction Manual. Likewise, the owner/manager should not proceed to operate the appliance until the installer has instructed them on its proper operation. Failure to install, operate, and maintain the appliance in accordance with this manual will adversely affect safety, performance, component life, and warranty coverage. Proper installation is the responsibility of the installer. Product failure or property damage due to improper installation is not covered under warranty.

Hoshizaki provides this manual primarily to assist qualified service technicians in the installation, maintenance, and service of the appliance.

Should the reader have any questions or concerns which have not been satisfactorily addressed, please call, send an e-mail message, or write to the Hoshizaki Technical Support Department for assistance.

Phone: 1-800-233-1940; (770) 487-2331

Fax: 1-800-843-1056; (770) 487-3360

E-mail: techsupport@hoshizaki.com

HOSHIZAKI AMERICA, INC.

618 Highway 74 South

Peachtree City, GA 30269

Attn: Hoshizaki Technical Support Department

NOTE: To expedite assistance, all correspondence/communication **MUST** include the following information:

- Model Number _____
- Serial Number _____
- Complete and detailed explanation of the problem.

IMPORTANT

This manual should be read carefully before the appliance is installed and operated. Read the warnings and guidelines contained in this manual carefully as they provide essential information for the continued safe use and maintenance of the appliance. Retain this manual for any further reference that may be necessary.

CONTENTS

Important Safety Information	4
I. Installation Instructions	7
A. Checks Before Installation.....	7
B. Location.....	7
1. General	7
2. Built-In Installation Site	8
C. Door Reversal	9
D. Setup.....	10
E. Electrical Connection	11
F. Final Checklist.....	12
II. Operating Instructions.....	13
A. Important Notes About Usage	13
B. Startup	15
C. Cabinet Temperature	15
1. Temperature Display.....	15
2. Adjusting the Temperature Setpoint	15
D. Display Icons	16
E. Alarm Safeties	16
F. Control Panel Lockout.....	17
G. Door Lock	17
H. Defrost	18
1. Automatic Defrost.....	18
2. Manual Defrost	18
I. Cooling Performance	18
J. Cabinet Condensation	18
K. Power Outage	19
III. Cleaning and Maintenance Instructions.....	20
A. Cleaning	20
B. Maintenance.....	21
IV. Preparing the Appliance for Periods of Non-Use	22
A. Shutdown and Long Storage.....	22
V. Disposal	23

Important Safety Information

Throughout this manual, notices appear to bring your attention to situations which could result in death, serious injury, damage to the appliance, or damage to property.

⚠ DANGER	Indicates a hazardous situation that, if not avoided, will result in death or serious injury.
⚠ DANGER	Indique un risque imminent qui causera la mort ou de graves blessures, s'il n'est pas évité.
⚠ WARNING	Indicates a hazardous situation that, if not avoided, could result in death or serious injury.
NOTICE	Indicates a situation that, if not avoided, could result in damage to the appliance or property.
IMPORTANT	Indicates important information about the use and care of the appliance.

⚠ DANGER

Risk of Fire or Explosion

Flammable Refrigerant Used

- Follow handling instructions carefully in compliance with U.S. government regulations.
- Do not use mechanical devices to defrost.
- Do not puncture refrigerant tubing. Risk of fire or explosion due to puncture of refrigerant tubing; follow handling instructions carefully.
- Component parts shall be replaced with like components.
- Servicing shall be done by factory authorized service personnel to minimize the risk of possible ignition due to incorrect parts or improper service.
- Consult instruction manual / service manual before attempting to install or service this product. All safety precautions must be followed.
- Dispose of properly in accordance with federal or local regulations.
- Do not place any potential ignition sources in or near the appliance.

Risque De Feu Ou D'Explosion

Le Frigorigène Est Inflammable

- Suivre attentivement les instructions de manipulation conformément à la réglementation gouvernementale.
- Ne pas utiliser d'appareils mécaniques pour dégivrer le réfrigérateur.
- Ne pas perforer la tubulure contenant le frigorigène. Risque de feu ou d'explosion si la tubulure contenant le frigorigène est perforée; suivre les instructions de manutention avec soin.
- Les pièces des composants doivent être remplacées par des pièces et accessoires équivalents.
- L'entretien doit être effectué par le personnel de service autorisé par le fabricant afin de minimiser les risques d'inflammation attribuables à l'installation d'une pièce inadéquate ou à la mauvaise exécution du service.
- Consulter le manuel du propriétaire/ guide de réparation avant de tenter une réparation. Toutes les mesures de sécurité doivent être respectées.
- Éliminer conformément aux règlements fédéraux ou locaux.
- Ne placez aucune source d'inflammation potentielle dans ou près de l'appareil.


⚠ WARNING

The appliance should be destined only to the use for which it has been expressly conceived. Any other use should be considered improper and therefore dangerous. The manufacturer cannot be held responsible for injury or damage resulting from improper, incorrect, and unreasonable use. Failure to install, operate, and maintain the appliance in accordance with this manual will adversely affect safety, performance, component life, and warranty coverage.

To reduce the risk of death, electric shock, serious injury, or fire, follow basic precautions including the following:

- Only qualified service technicians should install and service the appliance.
- Wear appropriate personal protective equipment (PPE) when servicing the appliance.
- The appliance must be installed in accordance with applicable national, state, and local codes and regulations.
- Appliance is heavy. Use care when lifting or positioning. Work in pairs when needed to prevent injury or damage. Do not lift using the top section or the door.
- To reduce the risk of electric shock, do not touch the plug with damp hands.
- Unplug the appliance before servicing.
- The appliance requires an independent power supply of proper capacity. See the nameplate for electrical specifications. Failure to use an independent power supply of proper capacity can result in a tripped breaker, blown fuse, damage to existing wiring, or component failure. This could lead to heat generation or fire.

• THE APPLIANCE MUST BE

GROUNDING. The appliance is equipped with a NEMA 5-15 three-prong grounding plug  to reduce the risk of potential shock hazards. It must be plugged into a properly grounded, independent 3-prong wall outlet. If the outlet is a 2-prong outlet, it is your personal responsibility to have a qualified electrician replace it with a properly grounded, independent 3-prong wall outlet. Do not remove the ground prong from the power cord and do not use an adapter plug. Failure to follow these instructions may result in death, electric shock, or fire.

- Do not use an extension cord.
- Do not use an appliance with a damaged power cord. The power cord should not be altered, jerked, bundled, weighed down, pinched, or tangled. Such actions could result in electric shock or fire. To unplug the appliance, be sure to pull the plug, not the cord, and do not jerk the cord.
- The GREEN ground wire in the factory-installed power cord is connected to the appliance. If it becomes necessary to remove or replace the power cord, be sure to connect the power cord's ground wire.
- Do not splash, pour, or spray water directly onto or into the appliance. This might cause short circuit, electric shock, corrosion, or failure.
- Do not make any alterations to the appliance. Alterations could result in electric shock, injury, fire, or damage to the appliance.
- The appliance is not intended for use by persons (including children) with reduced physical, sensory, or mental capabilities, or lack of experience and knowledge, unless they have been given supervision or instruction concerning use of the appliance by a person responsible for their safety.

⚠ WARNING, continued

- Children should be properly supervised around the appliance.
- Do not climb, stand, or hang on the appliance or door or allow children or animals to do so. Do not climb into the appliance or allow children or animals to do so. Death or serious injury could occur or the appliance could be damaged.
- Be careful not to pinch fingers when opening and closing the door. Be careful when opening and closing the door when children are in the area.
- Open and close the door with care. Opening the door too quickly or forcefully may cause injury or damage to the appliance or surrounding equipment.
- Do not use combustible spray or place volatile or flammable substances in or near the appliance. They might catch fire.
- Keep the area around the appliance clean. Dirt, dust, or insects in the appliance could cause harm to individuals or damage to the equipment.
- Do not throw anything onto the shelves or load any single shelf with more than 66 lb. (30 kg) of product. They might fall off and cause injury.
- The appliance is designed only for temporary storage of food. Employ sanitary methods. Use for any other purposes (for example, storage of chemicals or medical supplies such as vaccine and serum) could cause deterioration of stored items.
- Do not block air inlets or outlets, otherwise cooling performance may be reduced.
- Do not tightly pack the cabinet. Allow some space between items to ensure good air flow. Also allow space between items and interior surfaces.
- Do not put warm or hot foods in the cabinet. Let them cool first, or they will raise the cabinet temperature and could deteriorate other foods in the cabinet or overload the appliance.

- Food storage and handling must comply with applicable codes and regulations.
- All foods should be wrapped in plastic film or stored in sealed containers. Otherwise foods may dry up, pass their smells onto other foods, cause frost to develop, result in poor appliance performance, or increase the likelihood of cross-contamination. Certain dressings and food ingredients, if not stored in sealed containers, may accelerate corrosion of the evaporator, resulting in failure.
- Do not store items near air outlets. Otherwise, items may freeze up and crack or break causing a risk of injury or contamination of other food.

NOTICE

- Protect the floor when moving the appliance to prevent damage to the floor.
- Keep ventilation openings, in the appliance enclosure or in the built-in structure, clear of obstruction. Do not place anything on top of the appliance in an undercounter installation. The appliance must have a minimum of 3/4" (2 cm) clearance at top. Air must be able to circulate freely under, behind, and above the appliance. Blockage of airflow could negatively affect performance and damage the appliance.
- Do not allow the appliance to bear any outside weight.
- To prevent deformation or cracks, do not spray insecticide onto the plastic parts or let them come into contact with oil.
- To avoid damage to the gasket, use only the door handle when opening and closing.
- To avoid damage, do not lift the appliance by the top panel.

I. Installation Instructions

⚠ WARNING

- The appliance must be installed in accordance with applicable national, state, and local codes and regulations.
- The appliance is heavy. Use care when lifting or positioning. Work in pairs when needed to prevent injury or damage.
- Do not tilt the appliance more than 45°.

A. Checks Before Installation

- Visually inspect the exterior of the shipping package and immediately report any damage to the carrier. Upon opening the package, any concealed damage should also be immediately reported to the carrier.
- Remove the shipping carton, tape, and packing material. Also remove the protective plastic film from both the exterior panels and the interior door panel. If the appliance is exposed to the sun or to heat, remove the film after the appliance cools.
- Remove all accessory containers before discarding the packing materials.

B. Location

1. General

This appliance is approved for indoor or outdoor use.

NOTICE

- Normal operating ambient temperature must be within 61°F to 86°F (16°C to 30°C).
- Operation of the appliance, for extended periods, outside of this normal temperature range may affect appliance performance.

For best operating results:

- The appliance should not be located next to ovens, grills, or other high heat producing equipment.
- The location should provide a firm and level foundation for the appliance.
- The appliance should not be located in a corrosive environment.
- The appliance must have a minimum of 3/4" (2 cm) clearance at top. Air must be able to circulate freely under, behind, and above the appliance.

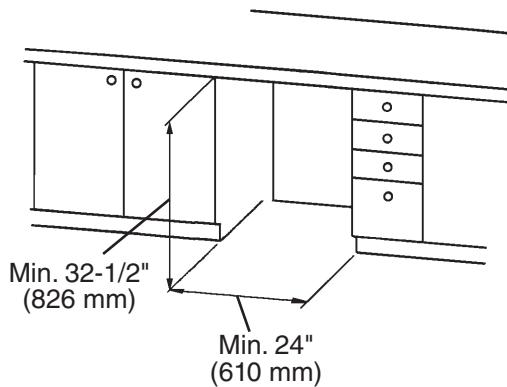
2. Built-In Installation Site

NOTICE

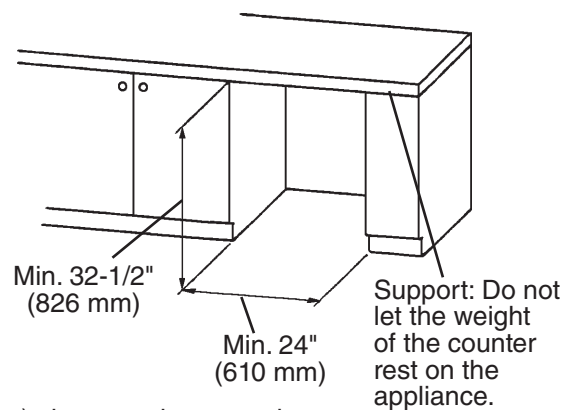
- Do not let the weight of the counter rest on the appliance. There must be at least 3/4" (2 cm) clearance between the top of the appliance and the bottom of the counter. Air must be able to circulate freely under, behind, and above the appliance.
- Do not install the appliance in a corner where the door will interfere with other equipment or where the appliance cannot be pulled out for service.

Installation Space			
Model	Height	Width	Depth
HR24B	32-1/2" (826 mm) minimum	24" (610 mm) minimum	24-1/2" (623 mm) minimum

Between Two Cabinets

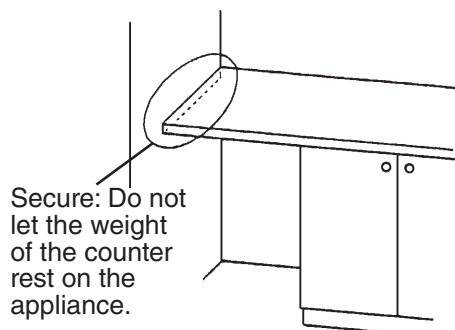


Between a Cabinet and the End of a Counter

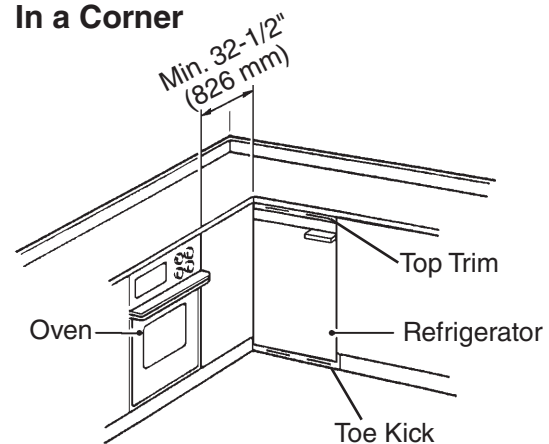


There must be at least 3/4" (2 cm) clearance between the top of the appliance and the bottom of the counter.

Between a Cabinet and a Wall or Tall Cabinet



In a Corner

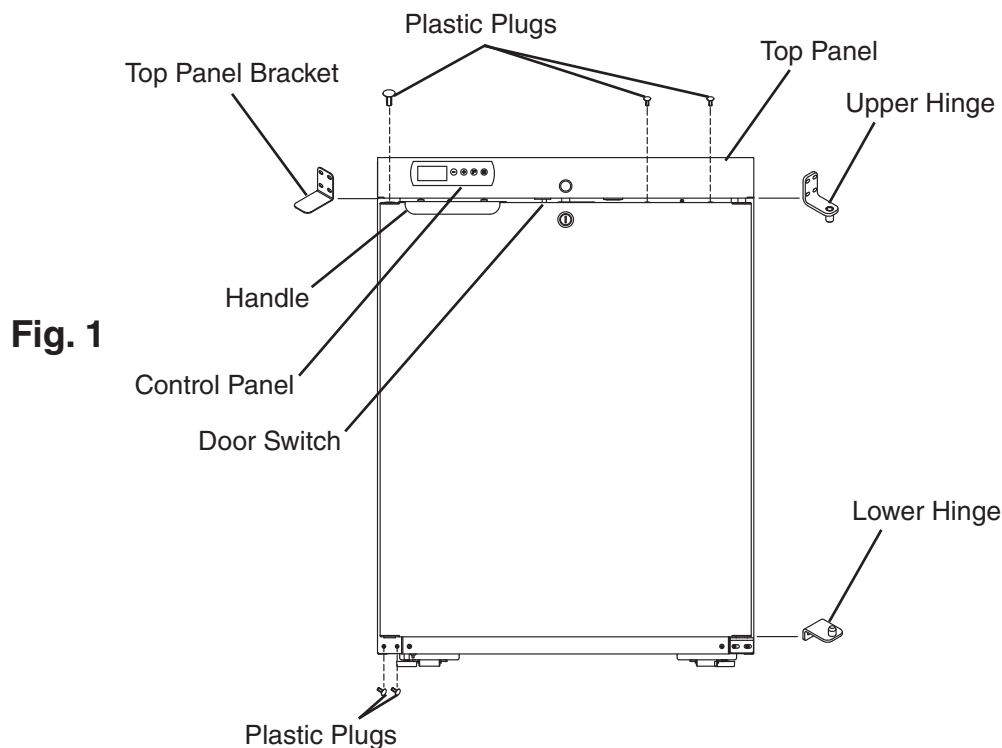


There must be at least 3/4" (2 cm) clearance between the top of the appliance and the bottom of the counter.

C. Door Reversal

If you would like to reverse the door swing, follow the steps below. Otherwise, skip to section "II.D. Setup."

- 1) Make sure the appliance is off and unplugged.
- 2) Remove the fasteners securing the top panel. See Fig. 1. Being careful not to pull on the wires to the control panel and door switch, lift off the top panel. Secure the top panel so that it does not interfere with the upper hinge or top panel bracket and will not fall.
- 3) While maintaining a hold on the door, remove the fasteners securing the upper hinge to the right side of the appliance. Lift off the door and upper hinge.
- 4) Remove the top panel bracket from the left side of the appliance, then secure it to the right side of the appliance.
- 5) Remove the 2 outside plastic plugs from the lower left side of the appliance.
- 6) Remove the lower hinge from the right side of the appliance, then secure it to the left side of the appliance.
- 7) Place the 2 plastic plugs in the holes on the lower-right side of the appliance.
- 8) Remove the plastic plugs and the handle from the door.
- 9) Secure the handle to the right side of the door. Place the plugs in the open handle holes on the left side of the door and in the hinge hole on the right side of the door.
- 10) Place the door onto the lower hinge, then place the upper hinge in the door and secure to the left side of the appliance.
- 11) Make sure the door is level. If not, adjust the door using the slots in the hinges.
- 12) Check that the wiring is connected and routed properly, then replace the top panel in its correct position. Secure the top panel.



D. Setup

1. Install the Top Trim

To achieve a built-in look when installing in a cabinet application, the top trim can be installed. Two top trims are included; use the one of the appropriate height to fill the gap between the top of the unit and bottom of the counter in your installation. To install the top trim, follow the directions below.

- 1) Remove the plastic film from the top trim.
- 2) Clean the appliance's top panel with a clean soft cloth using a mild soap to remove any oil or dirt. Dry the top panel thoroughly with a clean soft cloth.
- 3) Peel off the liner from the double-sided tape on the top trim.
- 4) Attach the top trim to the top panel.
- 5) Apply firm pressure along the base of the trim to secure it in position.

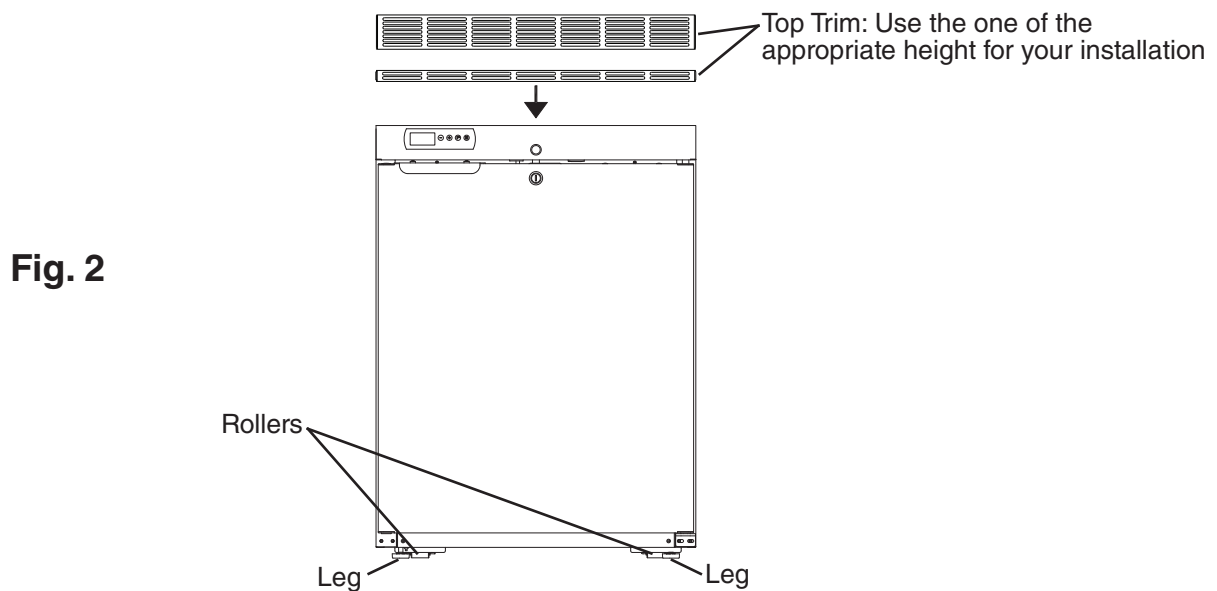
2. Position and Level the Appliance

Position the appliance in its permanent location. Level the appliance by adjusting the legs.

NOTICE! Do not remove the legs or rollers. The legs and rollers are necessary to maintain proper clearance for airflow.


3. Adjust the Shelves

The appliance comes with 2 lower shelves and 1 upper shelf. Adjust shelf positions as needed.



E. Electrical Connection

WARNING

- Electrical connection must meet national, state, and local electrical code requirements. Failure to meet these code requirements could result in death, electric shock, serious injury, fire, or severe damage to equipment.
 - The appliance requires an independent power supply of proper capacity. See the nameplate for electrical specifications. Failure to use an independent power supply of proper capacity can result in a tripped breaker, blown fuse, damage to existing wiring, or component failure. This could lead to heat generation or fire.
 - **THE APPLIANCE MUST BE GROUNDED.** The appliance is equipped with a NEMA 5-15 three-prong grounding plug  to reduce the risk of potential shock hazards. It must be plugged into a properly grounded, independent 3-prong wall outlet. If the outlet is a 2-prong outlet, it is your personal responsibility to have a qualified electrician replace it with a properly grounded, independent 3-prong wall outlet. Do not remove the ground prong from the power cord and do not use an adapter plug. Failure to follow these instructions may result in death, electric shock, or fire.
 - To reduce the risk of electric shock, do not touch the plug with damp hands.
 - Do not use an extension cord.
 - Turn off the appliance before unplugging to reduce the risk of electric shock.
 - Do not use an appliance with a damaged power cord. The power cord should not be altered, jerked, bundled, weighed down, pinched, or tangled. Such actions could result in electric shock or fire. To unplug the appliance, be sure to pull the plug, not the cord, and do not jerk the cord.
 - The GREEN ground wire in the factory-installed power cord is connected to a grounding terminal under the top panel. If it becomes necessary to remove or replace the power cord, be sure to connect the power cord's ground wire upon reattachment.
- Usually an electrical permit and services of a licensed electrician are required.
 - The maximum allowable voltage variation is ± 10 percent of the nameplate rating.

F. Final Checklist

- 1) Is the appliance level?
- 2) Is the appliance in a site where the ambient temperature is within 61°F to 86°F (16°C to 30°C) all year around?
- 3) Is there at least 3/4" (2 cm) clearance at top? Is air able to circulate freely under, behind, and above the appliance?
- 4) Have the shipping carton, tape, and packing material been removed from the appliance? Has the protective plastic film been removed from both the exterior panels and the interior door panel?
- 5) Have the appliance and accessories been checked for shipping damage?
- 6) Has the power supply voltage been checked or tested against the nameplate rating? Is the power supply a properly grounded, independent 3-prong wall outlet? Does the electrical connection meet all national, state, and local code and regulation requirements?
- 7) Have the toe kick, top trim, and shelves been properly installed?
- 8) Has the end user been given the instruction manual, and instructed on how to operate the appliance and the importance of the recommended periodic maintenance?
- 9) Has the end user been given the contact information of an authorized service agent?
- 10) Has the warranty card been filled out and forwarded to the factory for warranty registration?

II. Operating Instructions

A. Important Notes About Usage

DANGER

Risk of Fire or Explosion

Flammable Refrigerant Used

- Do not use mechanical devices to defrost.
- Do not puncture refrigerant tubing. Risk of fire or explosion due to puncture of refrigerant tubing; follow handling instructions carefully.
- Do not place any potential ignition sources in or near the appliance.

Risque De Feu Ou D'Explosion

Le Frigorigène Est Inflammable

- Ne pas utiliser d'appareils mécaniques pour dégivrer le réfrigérateur.
- Ne pas perforer la tubulure contenant le frigorigène. Risque de feu ou d'explosion si la tubulure contenant le frigorigène est perforée; suivre les instructions de manutention avec soin.
- Ne placez aucune source d'inflammation potentielle dans ou près de l'appareil.

WARNING

- Only qualified service technicians should install and service the appliance.
- Wear appropriate personal protective equipment (PPE) when servicing the appliance.
- Failure to install, operate, and maintain the appliance in accordance with this manual may adversely affect safety, performance, component life, and warranty coverage.
- To reduce the risk of electric shock, do not touch the plug with damp hands.
- Do not splash, pour, or spray water directly onto or into the appliance. This might cause short circuit, electric shock, corrosion, or failure.

- The appliance is not intended for use by persons (including children) with reduced physical, sensory, or mental capabilities, or lack of experience and knowledge, unless they have been given supervision or instruction concerning use of the appliance by a person responsible for their safety.
- Children should be properly supervised around the appliance.
- Do not climb, stand, or hang on the appliance or door or allow children or animals to do so. Do not climb into the appliance or allow children or animals to do so. Death or serious injury could occur or the appliance could be damaged.
- Be careful not to pinch fingers when opening and closing the door. Be careful when opening and closing the door when children are in the area.
- Open and close the door with care. Opening the door too quickly or forcefully may cause injury or damage to the appliance or surrounding equipment.
- Do not use combustible spray or place volatile or flammable substances in or near the appliance. They might catch fire.
- Keep the area around the appliance clean. Dirt, dust, or insects in the appliance could cause harm to individuals or damage to the equipment.
- Do not throw anything onto the shelves or load any single shelf with more than 66 lb. (30 kg) of product. They might fall off and cause injury.
- The appliance is designed only for temporary storage of food. Employ sanitary methods. Use for any other purposes (for example, storage of chemicals or medical supplies such as vaccine and serum) could cause deterioration of stored items.

▲ WARNING, continued

- Do not block air inlets or outlets, otherwise cooling performance may be reduced.
- Do not tightly pack the cabinet. Allow some space between items to ensure good air flow. Also allow space between items and interior surfaces.
- Do not put warm or hot foods in the cabinet. Let them cool first, or they will raise the cabinet temperature and could deteriorate other foods in the cabinet or overload the appliance.
- Food storage and handling must comply with applicable codes and regulations.
- All foods should be wrapped in plastic film or stored in sealed containers. Otherwise foods may dry up, pass their smells onto other foods, cause frost to develop, result in poor appliance performance, or increase the likelihood of cross-contamination. Certain dressings and food ingredients, if not stored in sealed containers, may accelerate corrosion of the evaporator, resulting in failure.
- Do not store items near air outlets. Otherwise, items may freeze up and crack or break causing a risk of injury or contamination of other food.

NOTICE

- Protect the floor when moving the appliance to prevent damage to the floor.
- Keep ventilation openings, in the appliance enclosure or in the built-in structure, clear of obstruction. Do not place anything on top of the appliance in an undercounter installation. The appliance must have a minimum of 3/4" (2 cm) clearance at top. Air must be able to circulate freely under, behind, and above the appliance. Blockage of airflow could negatively affect performance and damage the appliance.
- Do not allow the appliance to bear any outside weight.
- To prevent deformation or cracks, do not spray insecticide onto the plastic parts or let them come into contact with oil.
- To avoid damage to the gasket, use only the door handle when opening and closing.
- To avoid damage, do not lift the appliance by the top panel.
- Do not leave the door open.

B. Startup

⚠ WARNING

All parts are factory-adjusted. Improper adjustments may adversely affect safety, performance, component life, and warranty coverage.

IMPORTANT

At startup, there is a 2-minute delay before the compressor starts.

- 1) Plug the appliance into the electrical outlet. **WARNING! If you have to slide the appliance back for a built-in installation, make sure you do not damage or pinch the power cord.**
- 2) Press and hold the power button for 2 seconds to turn on the appliance. See Fig. 3.
- 3) Allow the appliance to cool down prior to stocking it.

C. Cabinet Temperature

1. Temperature Display

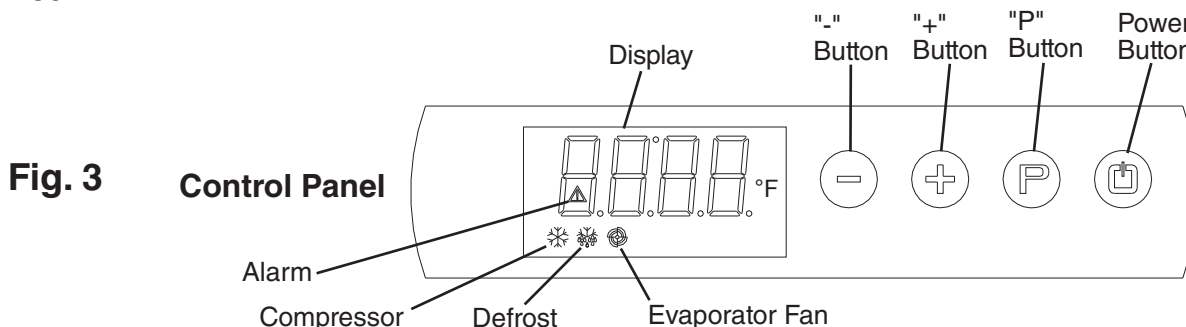
The cabinet temperature is displayed on the control panel. The display is in °F.

2. Adjusting the Temperature Setpoint

If necessary, adjust the temperature setpoint temperature as follows:





- 1) To change the temperature setpoint, press and hold the "P" button until the compressor icon flashes.
- 2) Press the "-" or "+" button until the desired value is displayed.
- 3) Press the "P" button to save the temperature setpoint and return to the cabinet temperature display. If no button is pressed for 15 seconds after selecting the setpoint, the display returns to the current cabinet temperature and the temperature setpoint is saved.

The temperature setpoint is adjustable between 34°F and 52°F. The factory default is 39°F.



D. Display Icons

Display icons inform you of energized components and if the appliance is in alarm.

Display Icons	
Icon	Meaning
	Compressor Steady: Compressor running. Flashing: • Compressor delay timer. Compressor will start within 3 minutes. • In temperature setpoint adjustment mode. For temperature setpoint adjustment, see "II.C.2 Adjusting the Temperature Setpoint."
	Defrost Appliance is in defrost cycle. See "II.G. Defrost" for details.
	Evaporator Fan Evaporator fan is running. Evaporator fan is de-energized when door is open.
	Alarm Appliance is in alarm. See "II.E. Alarm Safeties" for details.

E. Alarm Safeties

Alarm signals are designed to protect the appliance and items inside. These alarms give information or warnings in the event the appliance is operating out of acceptable parameters. Should one of the alarms occur, follow the instructions below to address the alarm. The alarm icon appears on the display and the alarm code alternates with the cabinet temperature. For high temperature, low temperature, and door alarms, the appliance beeps in addition to displaying the alarm icon and alarm code.

To obtain the name and phone number of your local Hoshizaki Certified Service Representative, visit www.hoshizaki.com.


Alarm Signals		
Alarm Code	Problem	Corrective Action
AH	High Temperature Alarm Cabinet temperature has exceeded the setpoint temperature by 10°F for more than 2 hours after startup or 1 hour after setpoint has been achieved for the first time.	If obvious corrections such as closing the door and cleaning the condenser do not bring temperature back in range, contact a qualified service technician.
AL	Low Temperature Alarm Cabinet temperature has remained below the setpoint temperature by 10°F for more than 1 hour.	If obvious corrections do not bring the temperature back in range, contact a qualified service technician.
Ld	Door Open Door has been open for more than 10 minutes.	Close the door.
Pr1	Cabinet Thermistor Malfunction Alarm Cabinet thermistor has failed.	Contact a qualified service technician. Appliance cycles 10 min. on, 10 min. off.

1. Silencing High Temperature, Low Temperature, and Door Alarms


To silence the alarm, press the "-" or "+" button.

For LD (door) alarm, the alarm clears once the door is closed or the "-" or "+" button is pressed.

2. Clearing High Temperature and Low Temperature Alarms

For AH and AL alarms, the red alarm icon  and AH or AL continue to alternate with cabinet temperature after alarm is silenced. When the temperature returns to setpoint, follow the steps below to clear the alarm.

- 1) Press and hold the "-" button until "EnS" appears on the display.
- 2) Press the "-" or "+" button two times. After pressing the "-" or "+" button the first time, "LS" is displayed. After pressing the "-" or "+" button the second time, "rLS" is displayed.
- 3) Press the "P" button.
- 4) Press the "-" or "+" button to set the display to "149."
- 5) Press the "P" button. The display flashes "----" for 4 seconds. The alarm is then clear and the control board returns to normal operation.

Note: If the cabinet temperature is out of acceptable range, the procedures above only change the alarm icon  from flashing to steady for 15 minutes.

F. Control Panel Lockout

The control panel can be locked to help prevent the appliance from being turned off or the setpoint from being changed inadvertently.

To lock the control panel, press and hold the "-" button and the power button until "Loc" appears briefly on the display.

To unlock the control panel, press and hold the "-" button and the power button until "UnL" appears briefly on the display.

G. Door Lock

The appliance has a door lock located under the control panel to help prevent unauthorized access to the cabinet interior. Two keys are provided in the accessory bag.

H. Defrost

⚠ DANGER

Risk of Fire or Explosion Flammable Refrigerant Used

- Do not use mechanical devices to defrost.
- Do not puncture refrigerant tubing. Risk of fire or explosion due to puncture of refrigerant tubing; follow handling instructions carefully.

Risque De Feu Ou D'Explosion Le Frigorigène Est Inflammable

- Ne pas utiliser d'appareils mécaniques pour dégivrer le réfrigérateur.
- Ne pas perforer la tubulure contenant le frigorigène. Risque de feu ou d'explosion si la tubulure contenant le frigorigène est perforée; suivre les instructions de manutention avec soin.

1. Automatic Defrost

This appliance uses an off-cycle, time-initiated/time-terminated defrost. It defrosts once every 6 hours for 30 minutes. During defrost, the defrost icon appears on the display. The compressor is de-energized and the evaporator fan runs normally. The cabinet temperature is displayed during defrost.

2. Manual Defrost

To initiate a manual defrost, press and hold the "+" button until the defrost icon appears on the display. Defrost lasts for 30 minutes. During defrost, the defrost icon appears on the display. The compressor is de-energized and the evaporator fan runs normally. The cabinet temperature is displayed during defrost.

I. Cooling Performance

Be sure the appliance is properly installed and located for optimum cooling performance. If cooling performance is not at its optimum level, check the following items:

- Door opened too often.
- Door left open. Close.
- Too tightly packed or cabinet air inlet/outlet blocked. Allow some space between items to ensure good air flow.
- Ambient temperature too high. Avoid installation near high heat producing equipment or exposure to direct sunlight.
- Temperature setpoint too high. Readjust it to a lower temperature.
- Appliance in defrost process. The cabinet temperature may rise temporarily during the defrost cycle, but this will not affect the items inside.

J. Cabinet Condensation

In the event condensation develops on the cabinet exterior, check the following items:

- Door left open, close.
- Ambient humidity too high. In high humidity areas it may be necessary to wipe off the cabinet frame occasionally.

K. Power Outage

In the event of a power outage, the appliance will come back on if it was on at the time of the power outage. The appliance will stay off if it was off at the time of the power outage.

III. Cleaning and Maintenance Instructions

A. Cleaning

⚠ WARNING

- Before cleaning the appliance, turn off and unplug the appliance to prevent electric shock by unexpected entrance of water into the appliance or injury by moving parts.
- Before cleaning the appliance, move all items into another refrigerator.
- Do not splash water directly onto the appliance. This might cause short circuit, electric shock, corrosion, or failure.
- Before using a sanitizer such as inert soap and sodium hypochlorite (chlorine bleach), thoroughly read the manufacturer's instructions on its proper usage.

IMPORTANT

- To prevent damage to the plastic surfaces, do not use the following: thinner, benzine, alcohol, petroleum, soap powder, polishing powder, alkaline cleaner, acid, scouring pad and especially those strong cleaners for use on a ventilating fan or a cooking range. Also, to prevent corrosion, do not use sodium hypochlorite (chlorine bleach) on the stainless steel surfaces.
- Use a clean cloth for cleaning.

1. Exterior

Wipe the exterior occasionally with a clean, soft cloth. Use a damp cloth containing a neutral cleaner to wipe off oil or dirt buildup.

2. Cabinet Interior

Spills should be wiped up promptly to avoid unpleasant odors. The cabinet interior should be cleaned periodically with a mild soap or detergent and warm water.

3. Door Gasket

Door gasket should be cleaned regularly with mild soap and warm water to remove dirt and grease.

4. Shelves

Remove and clean regularly.

B. Maintenance

WARNING

- Unplug the appliance before performing maintenance to prevent electric shock or injury by moving parts. To reduce the risk of electric shock, do not touch the plug with damp hands.
- Before performing maintenance, move all foods into another clean refrigerator or freezer.

1. Condenser

Check the condenser once a year and use a brush or vacuum cleaner to clean the condenser as required.

2. Power Supply Connection

If the plug or power cord is damaged, contact your local Hoshizaki Certified Service Representative immediately and ask for repairs.

All other service should be performed in accordance with the Hoshizaki Service Manual by a qualified service technician.

IV. Preparing the Appliance for Periods of Non-Use

A. Shutdown and Long Storage

When shutting down the appliance for more than one week, follow the instructions below.

⚠ WARNING

When preparing the appliance for long storage, prevent the door from closing to reduce the risk of children getting trapped. Leave the shelves in place so that children may not easily climb inside.

<i>IMPORTANT</i>

When preparing the appliance for long storage, clean the cabinet interior, door gaskets, and shelves. See "III.A. Cleaning" for details.
--

- 1) Before shutting down the appliance, move all items into another refrigerator.
- 2) Press and hold the power button for 2 seconds to turn off the appliance.
- 3) Unplug the appliance. **WARNING! To reduce the risk of electric shock, do not touch the plug with damp hands.**
- 4) **WARNING! Prevent the door from closing to reduce the risk of children getting trapped. Leave the shelves in place so that children may not easily climb inside.**

V. Disposal

DANGER

Risk of Fire or Explosion Flammable Refrigerant Used

- Follow handling instructions carefully in compliance with U.S. government regulations.
- Do not puncture refrigerant tubing. Risk of fire or explosion due to puncture of refrigerant tubing; follow handling instructions carefully.
- Dispose of properly in accordance with federal or local regulations.

Risque De Feu Ou D'Explosion Le Frigorigène Est Inflammable

- Suivre attentivement les instructions de manipulation conformément à la réglementation gouvernementale.
- Ne pas perforer la tubulure contenant le frigorigène. Risque de feu ou d'explosion si la tubulure contenant le frigorigène est perforée; suivre les instructions de manutention avec soin.
- Éliminer conformément aux règlements fédéraux ou locaux.

WARNING

When preparing the appliance for disposal, remove the door to reduce the risk of children getting trapped. Leave any shelves in place so that children may not easily climb inside.

The appliance contains refrigerant and must be disposed of in accordance with applicable national, state, and local codes and regulations. Refrigerant must be recovered by properly certified service personnel.

HOSHIZAKI AMERICA, INC.

618 Hwy. 74 South, Peachtree City, GA 30269 USA (P) 770.487.2331 (F) 770.487.3360 hoshizakiamerica.com 1A4856-012