



HOSHIZAKI

Parts List

Professional Series
Refrigerated Kitchen Equipment

Models
FH2-SSB(-HD)



hoshizakiamerica.com

Number: 71230
Issued: 3-8-1999
Revised: 10-1-2024

CONTENTS

Auxiliary Codes.....	3
Note About Ordering Parts	3
A. Main Assembly	4
B. Refrigeration Circuit.....	6
C. Body-Final	9
D. Control Box Assembly.....	13
E. Door-Right Hinged.....	14
Full Solid: FH2-SSB.....	14
F. Door-Left Hinged	16
Full Solid: FH2-SSB.....	16
G. Vertical Mullion.....	18
H. Door-Right Hinged.....	21
Upper Right (UR) Half Solid: FH2-SSB-HD.....	21
J. Door-Right Hinged.....	22
Lower Right (LR) Half Solid: FH2-SSB-HD	22
K. Door-Left Hinged	23
Upper Left (UL) Half Solid: FH2-SSB-HD	23
L. Door-Left Hinged.....	24
Lower Left (LL) Half Solid: FH2-SSB-HD.....	24
M. Cross Mullion	25
N. Accessories & Labels	28

Auxiliary Codes

FH2-SSB

H-0 October 1998
J-0 December 1998
J-1 September 1999
J-2 October 1999
L-5 March 2001
M-5 February 2002
M-6 March 2002
M-7 September 2002
N-5 December 2002
N-6 January 2003
P-5 March 2004
P-6 August 2004
Q-5 December 2004
R-5 December 2005
S-5 April 2007
T-5 January 2008
T-6 September 2008
U-5 March 2009
V-5 January 2010
A-5 January 2011
B-5 February 2012
C-5 April 2013
E-5 July 2015
F-5 February 2016

FH2-SSB-HD

J-1 October 1999
L-5 April 2001
M-6 March 2002
M-7 August 2002
N-6 January 2003
P-5 December 2003
P-6 August 2004
Q-5 December 2004
R-5 April 2005
S-5 May 2007
T-5 May 2008
V-5 July 2010
A-5 February 2011
B-5 February 2012
C-5 April 2013
E-5 March 2015

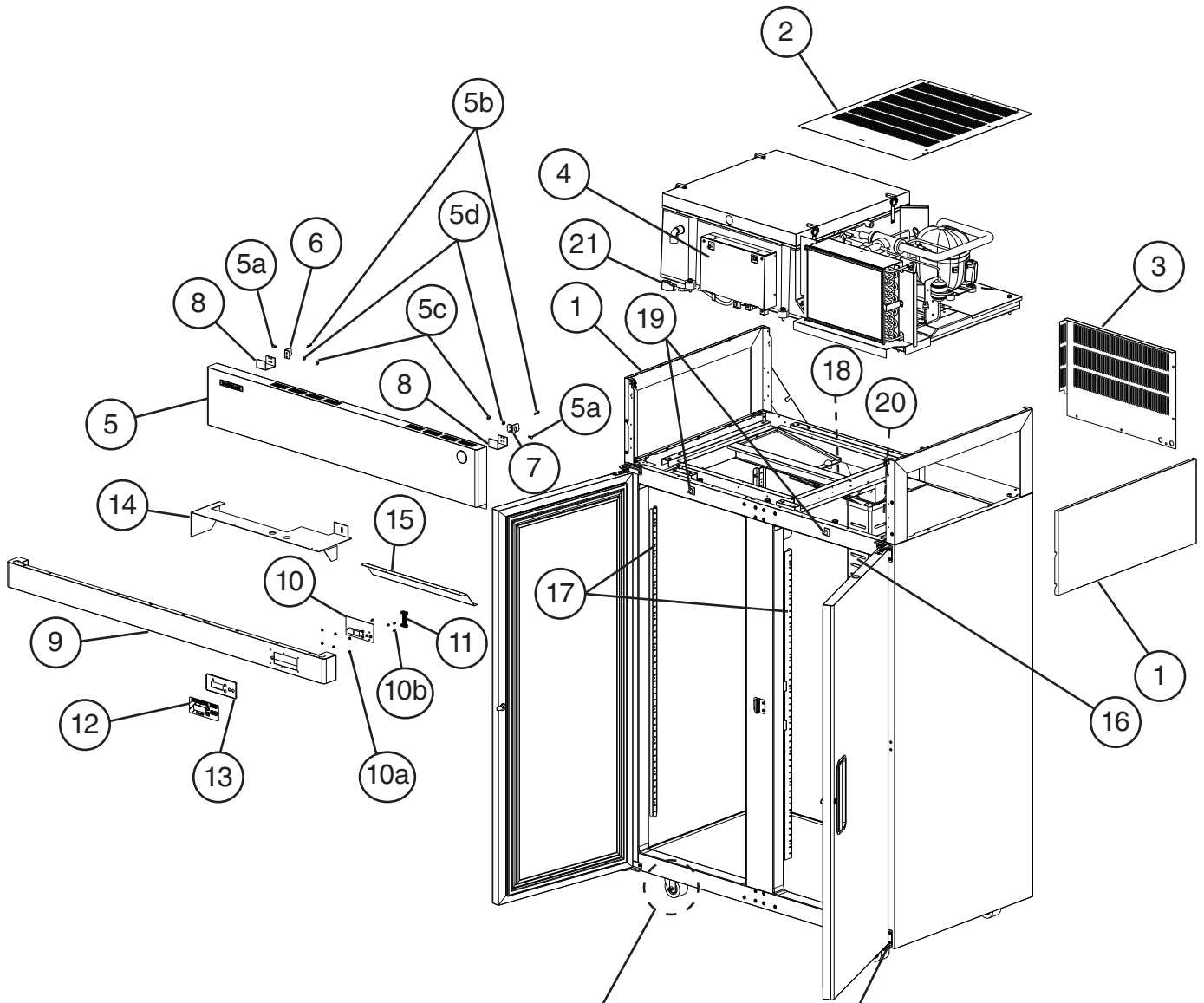
Auxiliary Code Breakdown

The auxiliary code is the first two characters in the serial number. The first character indicates the year. Years progress or regress in alphabetical order. The series runs from "A" through "V" and the letters "I" and "O" are skipped. The second character indicates significant part changes within a year. Base is "5" and this number advances for each change. In cases where there is a letter in parentheses, this designates the month. This is the last character in the serial number. The series runs from "(A)" through "(M)" and the letter "(I)" is skipped. This designation is only included when identifying a parts change within an auxiliary code.

Note About Ordering Parts

Most assemblies cannot be ordered as complete units; parts in the assemblies generally must be ordered separately.

A. Main Assembly
FH2-SSB(-HD)
 H-0 to F-5

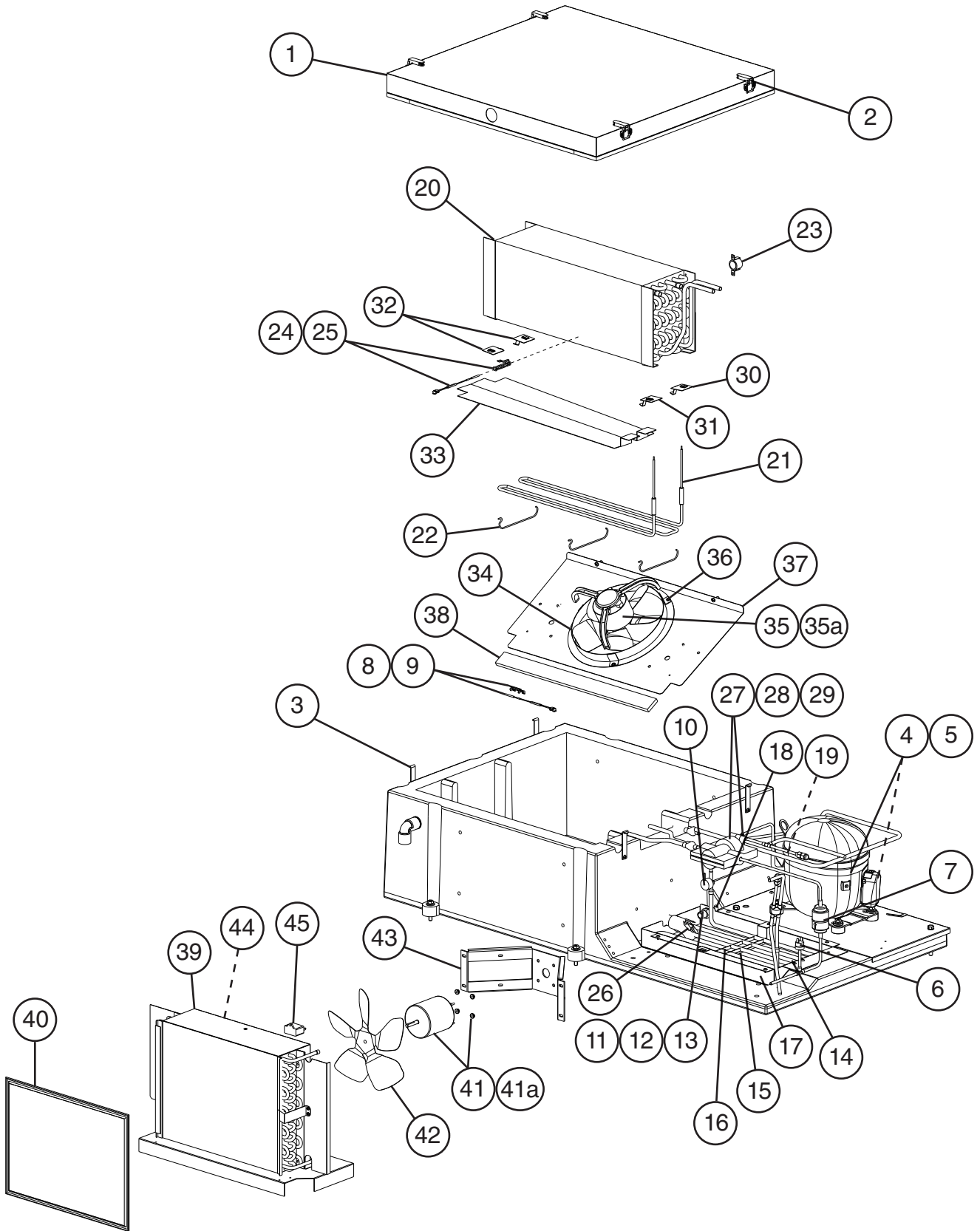


For casters, see section "N"

For Hinges, see section "C"
 For Full Doors, see sections "E" and "F"
 For Half Doors, see sections "H", "J", "K", and "L"

Title: A. Main Assembly Model: FH2-SSB(-HD)												
Index No.	Description	Material or Model Number	Part Number	Required Number								
				H-0 to J-2	L-5	M-5 to N-5	N-6 to P-5	P-6	Q-5 to U-5 (K)	U-5 (L) to F-5		
1	Top Side Panel		2A0615-02	2	-							
			2A1800-01		2	2	2	2	2	2		
2	Top Cover		2A1118-01	1	-							
			2A1118-03		1	1	1	1	1	1		
3	Rear Cover		2A1117-01	1	1	1	1	1	1	1		
4	Control Box Cover		2A1031-01	1	1	1	1	1	1	1		
5	Front Panel		1A0040-01	1	-							
			1A0624-02		1	1	1	1	1	1	1	
5a	Clevis Pin		8907-0102		2	2	2	2	2	2		
5b	Cotter Pin		8907-0103		2	2	2	2	2	2		
5c	Flat Washer		4A0655-03		2	2	2	2	2	2		
5d	Hinge Spacer		4A2473-01		2	2	2	2	2	2		
6	Left Front Panel Hinge		4A2153-01		1	1	1	1	1	1		
7	Right Front Panel Hinge		4A2154-01		1	1	1	1	1	1		
8	Hinge Channel		4A2170-01		2	2	2	2	2	2		
9	Control Panel (Painted)		3A107G01	1	-							
			1A0626G01		1	1	-					
	Control Panel		1A0835-01				1	1	1	1		
10	Display Board		2A0883-01	1	1	1	1	1	1	1		
10a	Palnut		4A1398-01	6	6	6	6	6	6	6		
10b	Nylon Screw		4A1397-01	4	4	4	4	4	4	4		
11	Ribbon Cable		4A1106-02	1	1	1	1	1	1	1		
12	Display Label		4A1558-02	1	1	-						
			3A2850-02			1	1	1	-			
			3A5788-02						1	1		
13	Display Board Mount		3A0823-01	1	1	1	1	1	1	1		
14	Control Panel Cover		3A0599-01	1	1	1	1	1	1	1		
15	Board Cover		3A1046-01	1	1	1	1	1	1	1		
16	Bottom Air Distributor		1A0143-01	1	1	1	1	1	-			
			1A0985-01						1	1		
17	Pilaster		3A0145-01	6	6	6	6	6	6	6		
18	Top Air Distributor		1A0152-02	1	1	1	1	1	1	1		
19	Door Switch	FH2-SSB	4A0487-01	2	-							
			3A1386-01		2	-						
			3A1826-01			2	2	2	2	2	2	
		FH2-SSB-HD	3A1386-01		4	4	-					
			3A1826-01				4	4	4	4		
20	Vinyl Hose	L=1700 mm	7716-0913	1	-							
			773013812		1	1	1	1	1	1		
21	Power Cord		4A1543-01	1	1	1	1	1	1	1		

B. Refrigeration Circuit
FH2-SSB(-HD)
 H-0 to F-5



Title: B. Refrigeration Circuit Model: FH2-SSB(-HD)

Index No.	Description	Material or Model Number	Part Number	Required Number								
				H-0	J-0 to J-1	J-2	L-5	M-5	M-6 to P-5	P-6 to T-5	T-6 to B-5	C-5 to F-5
1	Evaporator Case Cover		2A0245G01	1	1	1	1	1	1	1	-	
			2A4326A01								1	1
2	Draw Latch		4A1710-01		4	4	4	4	4	4	-	
			4A3988-01								4	4
3	Catch Latch		4A3897-01								4	4
4	Compressor		4A1346-01	1	1	1	1	1	1	1	1	-
			3A7123-01									1
5	Compressor Protector		4A1877-05	1	1	1	1	1	1	1	1	-
			3A7127-01									1
6	High-Pressure Switch		3A0335-03	1	-							
			3A0335-02		1	1	1	-				
			4A2516-02					1	1	1	1	1
7	Drier		4A0924-01	1	1	1	1	1	1	1	1	
8	Cabinet Thermistor		4A1429-02	1	1	1	-					
			4A1429-01				1	1	1	1	1	1
9	Cabinet Thermistor Bracket		433920-01	1	1	1	1	1	1	1	1	
10	Clean Filter Thermostat		4A0965-01	1	1	1	1	1	1	1	1	
11	Drain Overflow Fitting		4A0664-01	1	1	1	-					
			4A2182-01				1	1	1	1	1	1
12	Drain Overflow Washer		4A0665-01	1	1	1	-					
	Rubber Gasket		413854-03				1	1	1	1	1	1
13	Drain Fitting Nut		4A0666-01	1	1	1	1	1	1	1	1	
14	Condensate Coil		2A1856-01				1	1	1	1	1	
15	Condenser Coil Gasket		4A0455-01	1	1	1	1	1	1	1	1	
16	Condensate Coil Strap		3A0413-01	1	1	1	-					
			3A0413-03				1	1	1	1	1	1
17	Evaporator Drain Pan		2A0200-01	1	1	1	-					
			2A0200-02				1	1	1	1	1	1
18	Silicone Hose	L=350 mm	7730I3812	1	1	1	1	1	1	1	1	
19	Tubing Elbow		4A0711-01	1	1	1	1	1	1	-		
Evaporator Assembly												
20	Evaporator		2A0636-01	1	1	1	1	1	1	1	1	1
21	Defrost Heater		3A0591-01	1	1	1	1	1	1	1	1	1
22	Defrost Heater Support		4A2506-01	3	3	3	3	3	3	3	3	3
23	Defrost Thermostat		4A0954-02	1	1	1	1	1	1	1	1	1
24	Defrost Thermistor		4A1428-01	1	1	1	1	1	1	1	1	1
25	Thermistor Clip		320418-01	1	1	1	1	1	1	1	1	1
26	Drain Heater	10W, 115VAC	4A2975-01							1	1	1
27	Thermostatic Expansion Valve		4A0922-01	1	1	1	1	1	1	1	1	1
28	Thermostatic Expansion Valve Cover		4A4646-01	1	1	1	1	1	1	1	1	1
29	Thermostatic Expansion Valve Holder		3A0112-01	1	1	1	1	1	1	1	1	1

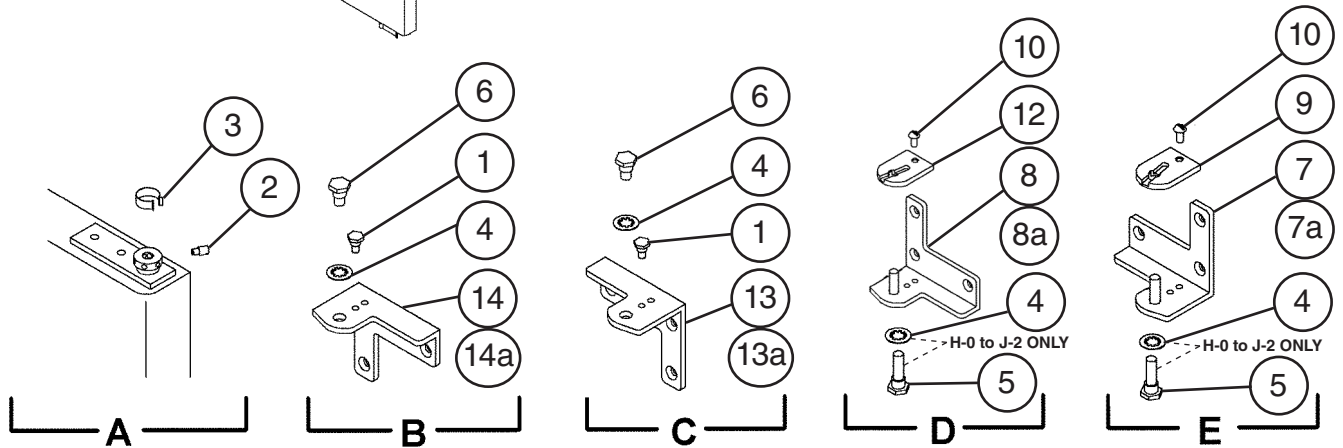
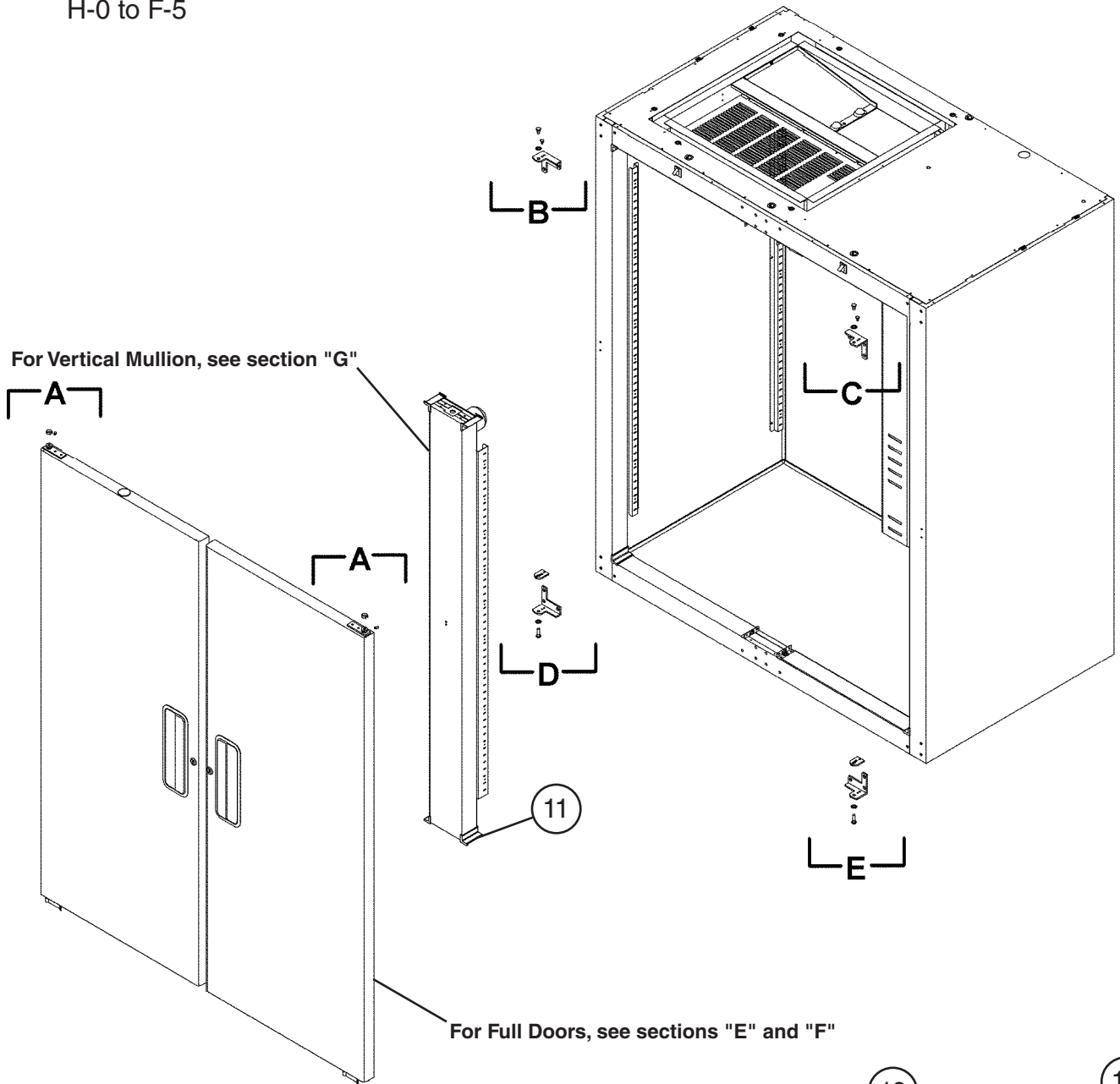
Title: B. Refrigeration Circuit Model: FH2-SSB(-HD)													
Index No.	Description	Material or Model Number	Part Number	Required Number									
				H-0	J-0 to J-1	J-2	L-5	M-5	M-6 to P-5	P-6 to T-5	T-6 to B-5	C-5 to F-5	
30	Evaporator Support Clip A		4A2826-01	See installation instructions below						1	1	1	1
31	Evaporator Support Clip B		4A2827-01							1	1	1	1
32	Evaporator Support Clip C		4A2828-01							2	2	2	2
33	Heat Shield		3A1853G01							1	1	1	1
Evaporator Fan Assembly													
34	Evaporator Fan Blade		3A0438-01	1	1	1	1	1	1	1	1	1	
35	Evaporator Fan Motor		4A0413-01	1	1	1	1	1	1	1	1	1	
35a	Hex Nut		4A1345-01	1	1	1	1	1	1	1	1	1	
36	Evaporator Fan Orifice		4A0412-01	1	1	1	1	1	1	1	1	1	
37	Evaporator Fan Shroud		2A4934A01	1	1	1	1	1	1	1	1	1	
38	Gasket	L=502 mm	4A0414L03	1	1	1	1	1	1	1	1	1	
Condenser and Condenser Fan Assembly													
39	Condenser		2A0638-01	1	1	1	1	1	1	1	1	1	
40	Condenser Filter		3A0277-01	1	1	1	-						
			3A0277-02				1	1	1	1	1	1	
41	Condenser Fan Motor		4A0815-01	1	-								
			440911-01		1	1	1	1	1	-			
			4A3158-01							1	1	1	
41a	Self Locking Nut	8-32	7N21I0832		4	4	4	4	4	4	4	4	
42	Condenser Fan Blade		3A0608-01	1	-								
			4A1865-01		1	1	1	1	1	1	1	1	
43	Condenser Fan Motor Bracket		3A0457-01	1	-								
			3A1298-01		1	-							
			2A1668-01			1	1	1	1	1	1	1	
44	Defrost Backup Thermostat		4A1344-01	1	1	1	1						
45	Condenser Fan Motor Capacitor	5MFD, 250VAC	443192-02	1	1	1	1	1	1	1	1		

Installation Instructions for Parts 30-33 (M-6 and Later)

1. Remove the original heat shield by lifting the evaporator up and then sliding the heat shield out.
2. Install the new heat shield (part #33) into the rotocast drain pan.
3. Install the support clips (part #32) onto the hairpin end of the evaporator as shown in the illustration.
4. Install the remaining support clips (parts #30 and #31) on the return bend end (same side as inlet and outlet tubes) as shown in the illustration.

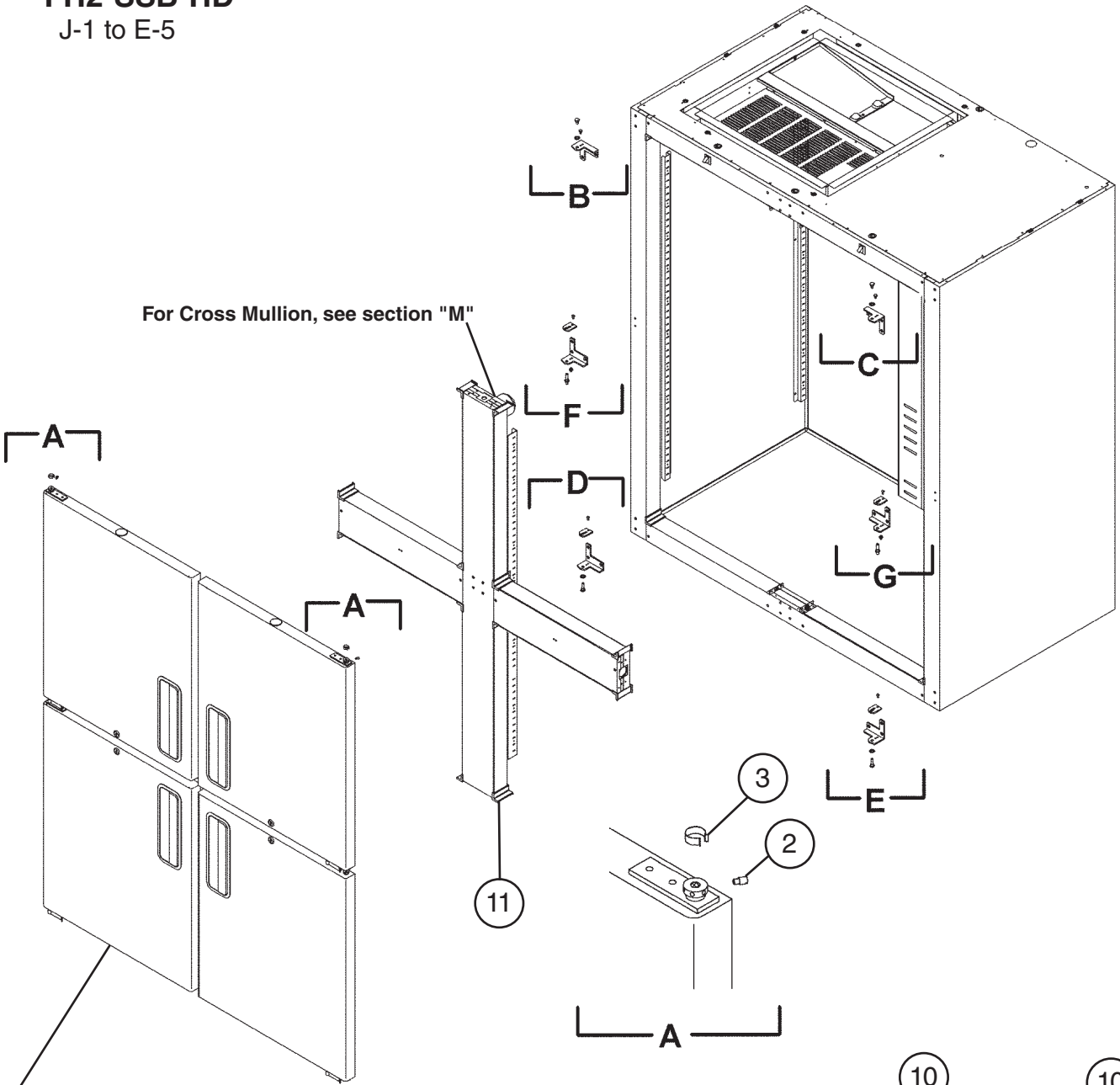
NOTE: All clips are shown in the correct orientation for installation. The parts slide onto the evaporator bracket using the tab on the support clip.

C. Body-Final
FH2-SSB
 H-0 to F-5

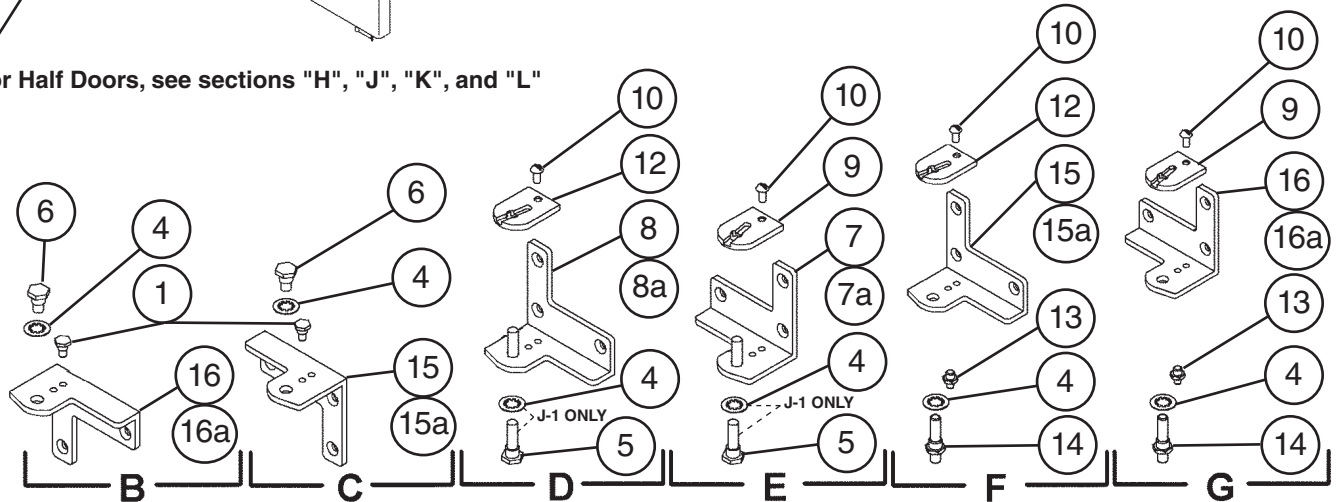


Title: C. Body-Final Model: FH2-SSB											
Index No.	Description	Material or Model Number	Part Number	Required Number							
				H-0 to J-2	L-5 to F-5						
1	Hinge Stop Pin		4A0444-01	2	-						
			4A2180-01		2						
2	Hinge Tension Screw		4A0446-01	2	2						
3	Hinge Bushing Cover		4A0445-01	2	2						
4	Hinge Lock Washer		4A0553-01	4	2						
5	Bottom Hinge Pivot Pin		4A0443-01	2	-						
6	Top Hinge Pivot Pin		4A0442-01	2	-						
			4A2179-01		2						
7	Lower Right (LR) Door Hinge Bracket		3A1626-01	1	1						
7a	Countersunk Screw	5x20, SS	7C42-0520	3	3						
8	Lower Left (LL) Door Hinge Bracket		3A1627-01	1	1						
8a	Countersunk Screw	5x20, SS	7C42-0520	3	3						
9	Right Hinge Stop Plate		4A0441-01	1	1						
10	Screw Stop Plate		4A0483-01	2	2						
11	Cover Corner		3A0221-01	8	-						
			3A1751-01		8						
12	Left Hinge Stop Plate		4A0441-02	1	1						
13	Upper Right (UR) Door Hinge Bracket		3A1580-01	1	1						
13a	Countersunk Screw	5x20, SS	7C42-0520	3	3						
14	Upper Left (UL) Door Hinge Bracket		3A1581-01	1	1						
14a	Countersunk Screw	5x20, SS	7C42-0520	3	3						

C. Body-Final
FH2-SSB-HD
 J-1 to E-5



For Half Doors, see sections "H", "J", "K", and "L"



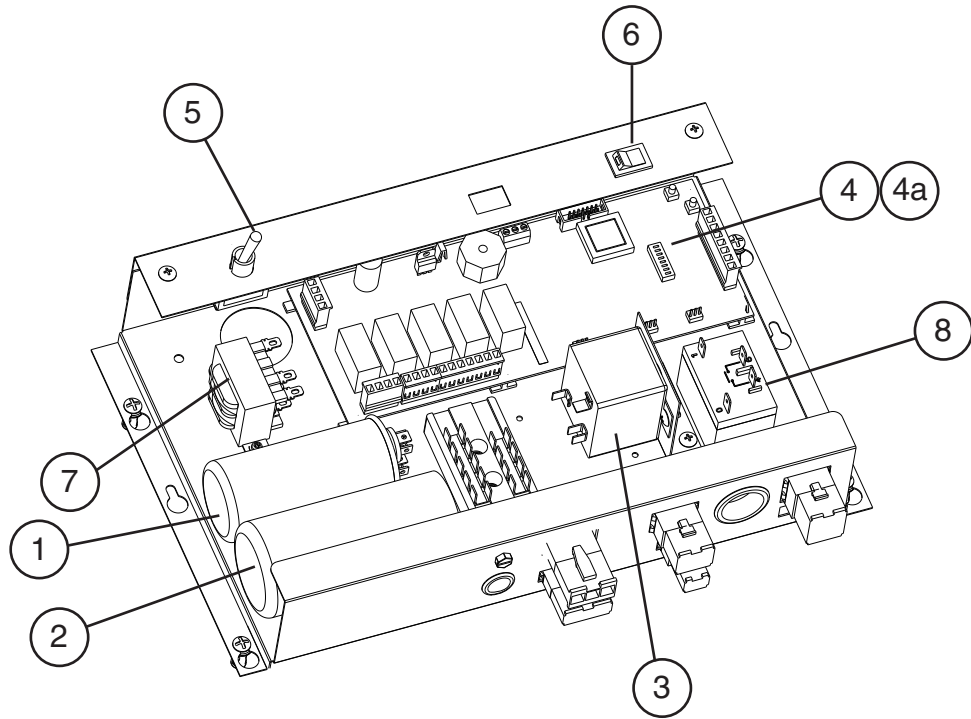
Title: C. Body-Final Model: FH2-SSB-HD

Index No.	Description	Material or Model Number	Part Number	Required Number								
				J-1	J-2 to E-5							
1	Hinge Stop Pin		4A0444-01	2	-							
			4A2180-01		2							
2	Hinge Tension Screw		4A0446-01	4	4							
3	Hinge Bushing Cover		4A0445-01	4	4							
4	Hinge Lock Washer		4A0553-01	6	4							
5	Bottom Hinge Pivot Pin		4A0443-01	2	-							
6	Top Hinge Pivot Pin		4A0442-01	2	-							
			4A2179-01		2							
7	Lower Right (LR) Door Hinge Bracket		3A1626-01	1	1							
7a	Countersunk Screw	5x20, SS	7C42-0520	3	3							
8	Lower Left (LL) Door Hinge Bracket		3A1627-01	1	1							
8a	Countersunk Screw	5x20, SS	7C42-0520	3	3							
9	Right Hinge Stop Plate		4A0441-01	2	2							
10	Stop Plate Screw		4A0483-01	4	4							
11	Corner Cover		3A0221-01	16	-							
			3A1751-01		16							
12	Left Hinge Stop Plate		4A0441-02	2	2							
13	Stop Pin		4A1734-01	2	2							
14	Pivot Pin		4A1735-01	2	2							
15	Bracket Door Hinge (LL, UR)		3A1580-01	2	2							
15a	Countersunk Screw	5x20, SS	7C42-0520	6	6							
16	Bracket Door Hinge (UL, LR)		3A1581-01	2	2							
16a	Countersunk Screw	5x20, SS	7C42-0520	6	6							

D. Control Box Assembly

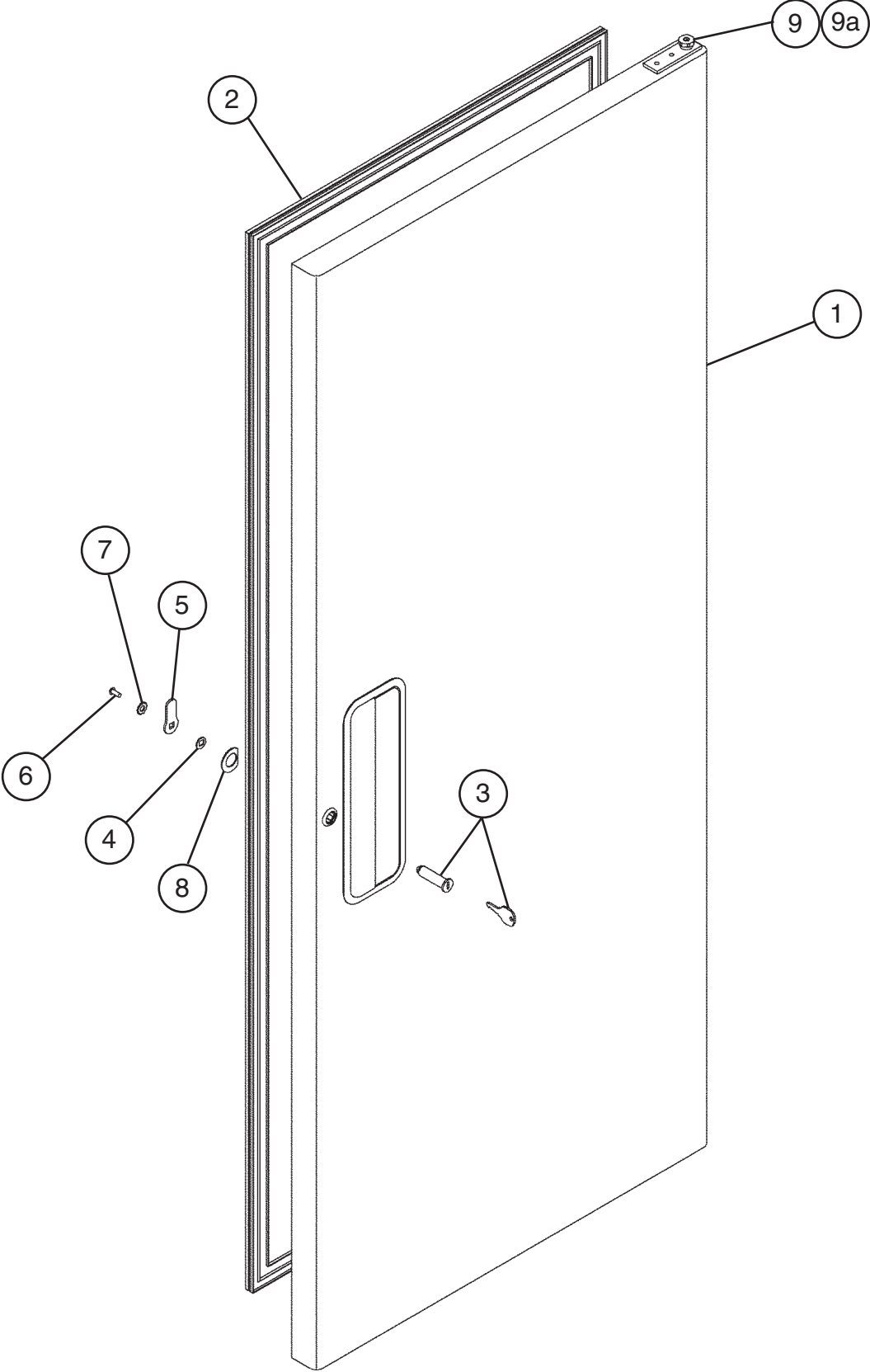
FH2-SSB(-HD)

H-0 to F-5



Title: D. Control Box Assembly		Model: FH2-SSB(-HD)		Required Number								
Index No.	Description	Material or Model Number	Part Number	H-0	J-0 to J-2	L-5	M-5 to B-5	C-5 to F-5				
				1	Run Capacitor	25MFD, 370VAC	439943-02	1	1	1	-	-
		35MFD, 370VAC	3A2005-06				1	-				
			3A2005-05					1				
2	Start Capacitor	88-106MFD, 330VAC	3A0076-07	1	1	1	1	-				
		243-292MFD, 330VAC	3A0076-10					1				
3	Start Relay		434172-01	1	-							
			4A1107-13		1	1	1	-				
			4A1107-20					1				
4	Control Board		2A2862-24	1	1	1	1	1				
4a	Control Board Support		4A0336-03	4	4	4	4	4				
5	Control Switch		4A0424-01	1	1	1	1	1				
6	Power Switch		4A0418-01	1	1	1	1	1				
7	Control Transformer		3A0172-01	1	-							
			3A1759-01		1	1	1	1				
8	Compressor Relay		4A1307-01	1	1	1	1	-				
			4A3140-01					1				

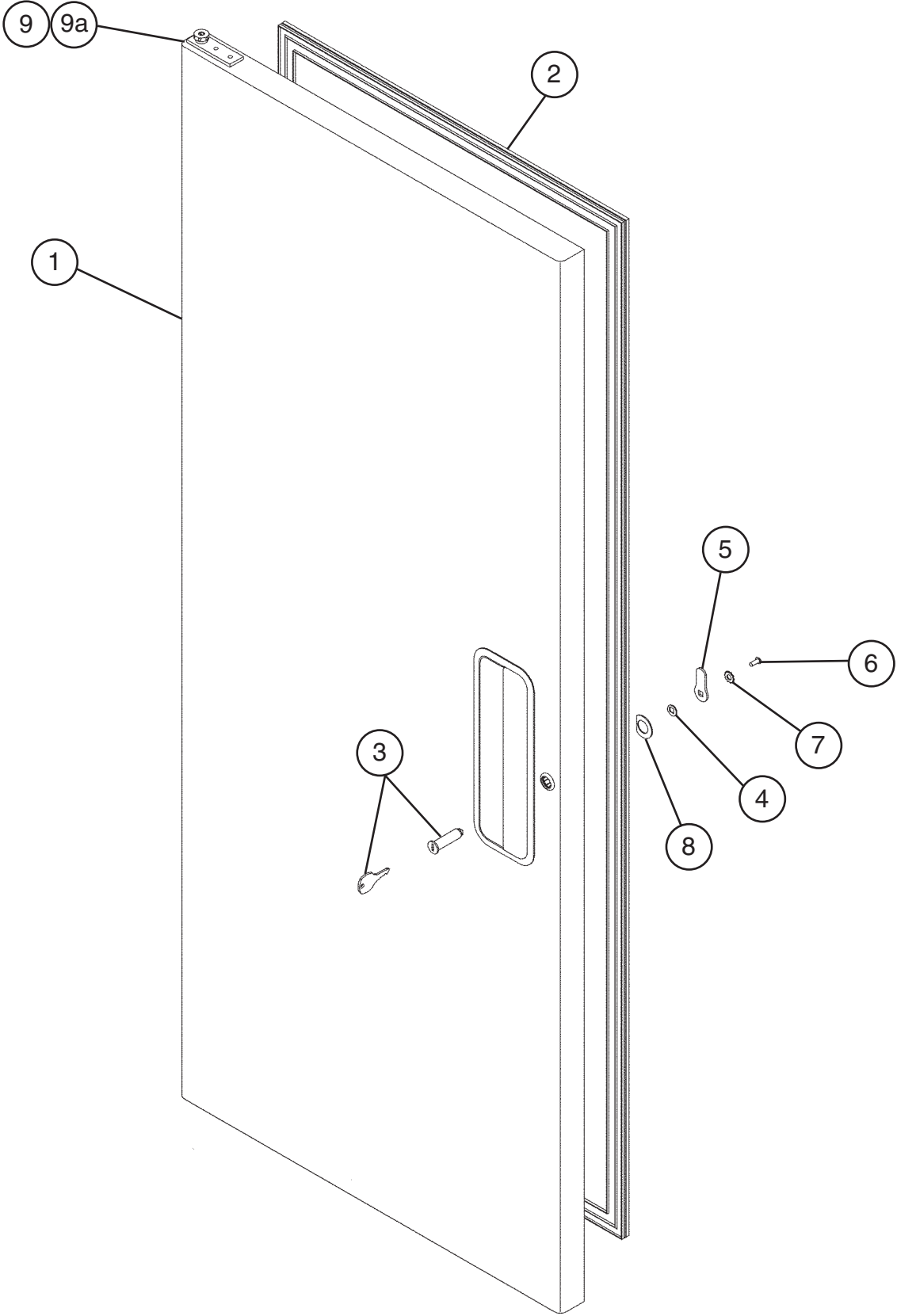
E. Door-Right Hinged
Full Solid: FH2-SSB
H-0 to F-5



Title: E. Door-Right Hinged Model: Full Solid: FH2-SSB

Index No.	Description	Material or Model Number	Part Number	Required Number								
				H-0	J-0 to J-2	L-5 to M-7	N-5 to A-5 (H)	A-5 (J) to F-5				
1	Right Full Solid Door Assembly (includes item 2)	HS-3200	1A0318A03	1	1	1	1	-				
			2A6545G01					1				
2	Door Gasket		3A0273-01	1	1	1	1	-				
			2A5192-07					1				
3	Door Lock Tumbler (includes Key 4A0460-01)		4A0462-01	1	1	1	1	1				
4	Door Lock Stop Washer		4A0458-01	1	1	1	1	1				
5	Door Lock Cam		4A0228-01	1	1	1	1	1				
6	Door Lock Screw Lock		4A0461-01	1	1	1	1	1				
7	Door Lock Washer		4A0459-01	1	1	1	1	1				
8	Door Lock Lock Washer		4A0670-01	1	1	1	1	1				
9	Hinge Spring Cartridge		4A0438-01	1	1	1	1	1				
9a	Countersunk Screw	5x20, SS	7C42-0520	2	2	2	2	2				

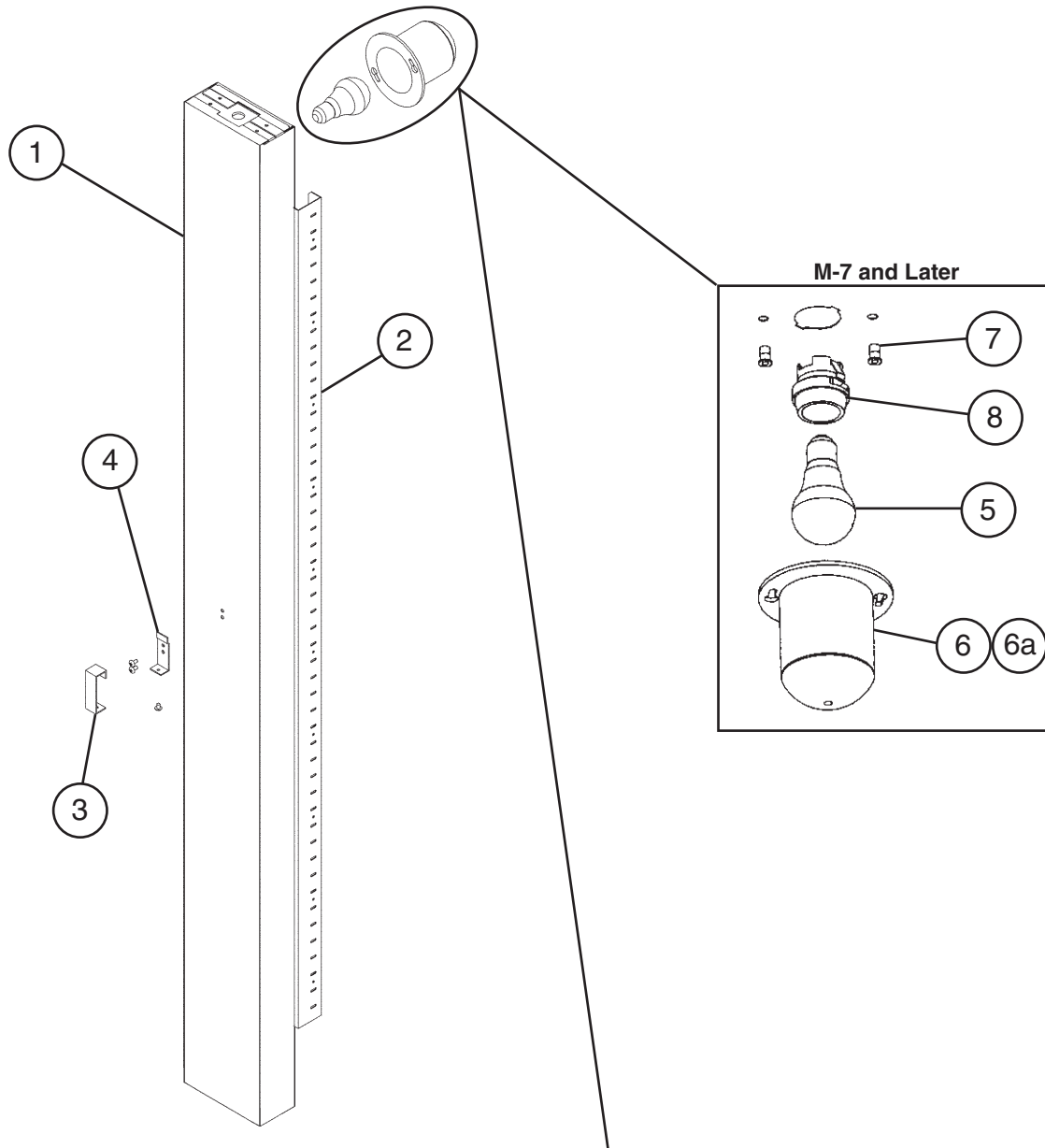
F. Door-Left Hinged
Full Solid: FH2-SSB
H-0 to F-5



Title: F. Door-Left Hinged Model: Full Solid: FH2-SSB

Index No.	Description	Material or Model Number	Part Number	Required Number								
				H-0	J-0 to J-2	L-5 to M-7	N-6 to V-5	A-5 to F-5				
1	Left Full Solid Door Assembly (includes item 2)	HS-3201	1A0318A04	1	1	1	1	-				
			2A6547G01					1				
2	Door Gasket		3A0273-01	1	1	1	1	-				
			2A5192-07					1				
3	Door Lock Tumbler (includes Key 4A0460-01)		4A0462-01	1	1	1	1	1				
4	Door Lock Stop Washer		4A0458-01	1	1	1	1	1				
5	Door Lock Cam		4A0228-01	1	1	1	1	1				
6	Door Lock Screw		4A0461-01	1	1	1	1	1				
7	Door Lock Washer		4A0459-01	1	1	1	1	1				
8	Door Lock Lock Washer		4A0670-01	1	1	1	1	1				
9	Hinge Spring Cartridge		4A0438-02	1	1	1	1	1				
9a	Countersunk Screw	5x20, SS	7C42-0520	2	2	2	2	2				

G. Vertical Mullion
FH2-SSB
1/2
H-0 to T-5

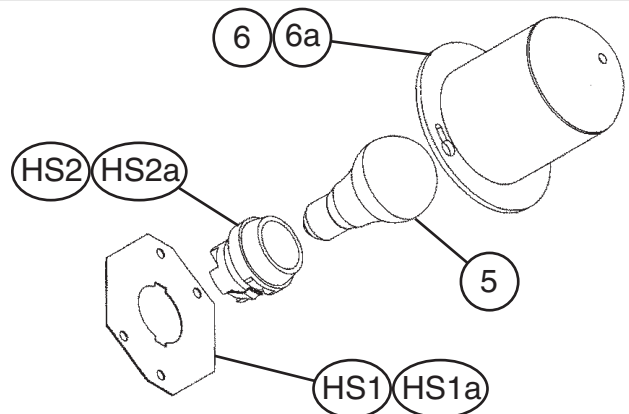


M-6 and Earlier

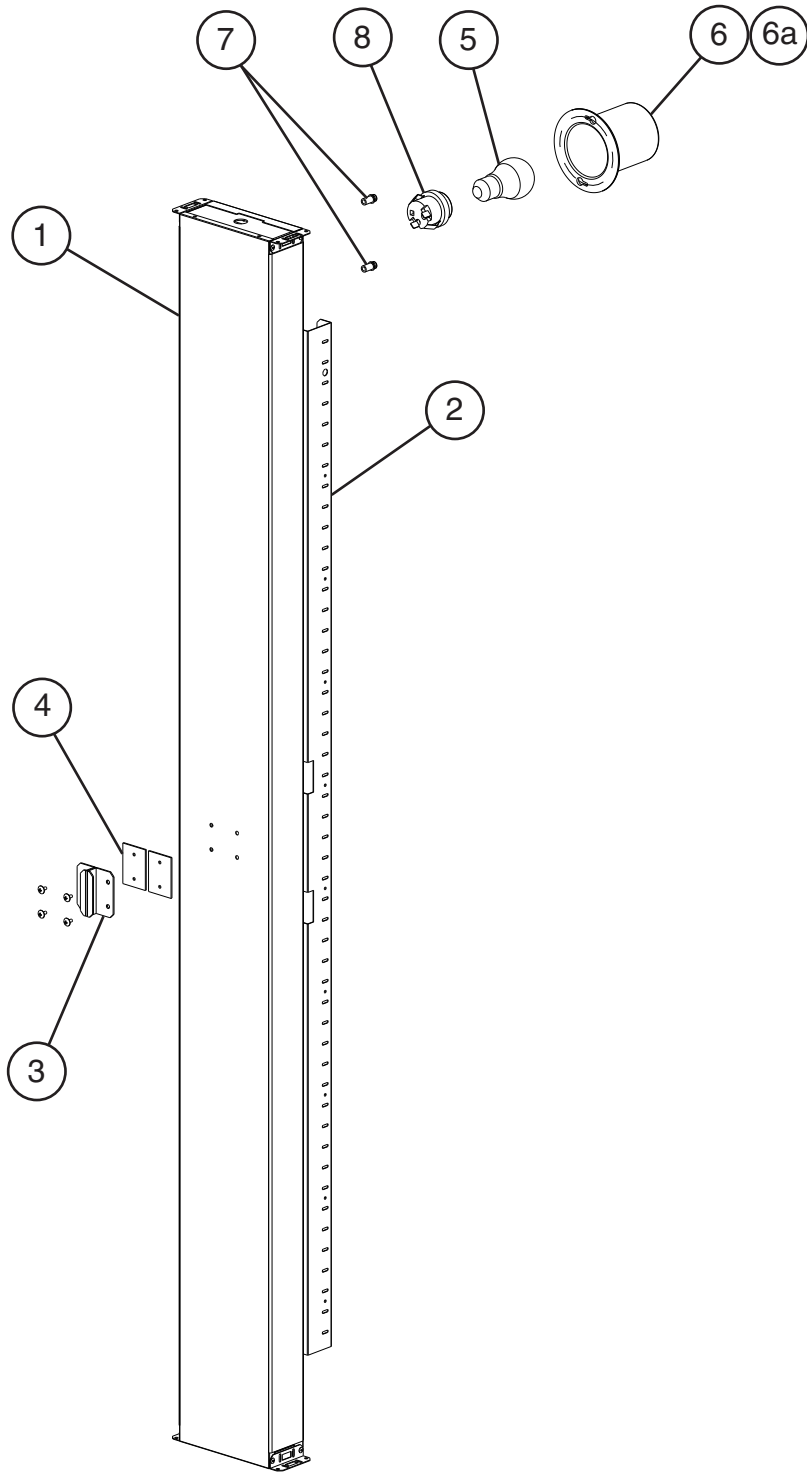
The santoprene light socket was changed to a porcelain lampholder at M-7. This change is non-interchangeable. If the light socket is not operating on a unit with a santoprene light socket, order **HS-3554 - Lampholder Conversion Kit**.

Note:

Parts 5, 6 and 6a are not included in HS-3554; they are shown for reference only.



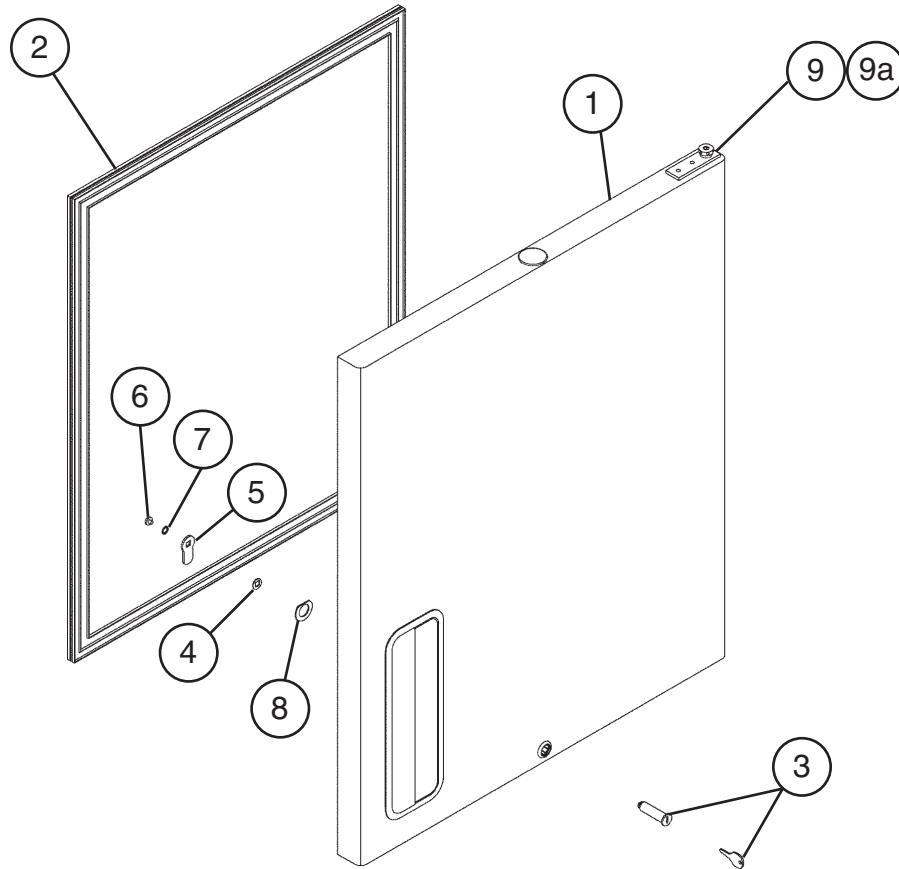
G. Vertical Mullion
FH2-SSB
2/2
T-6 to F-5



Title: G. Vertical Mullion Model: FH2-SSB												
Index No.	Description	Material or Model Number	Part Number	Required Number								
				H-0	J-0 to L-5	M-5 M-6	M-7 N-5	N-6 to P-6	Q-5 to T-5	T-6 to F-5		
1	Mullion (T-6 and Later includes items 2 through 8)		2A1288G01	1	1	-						
			2A1288G05			1	1	1	1	-		
			2A4765G01							1		
2	Mullion Pilaster		2A0205-01	2	2	2	-					
			2A0205-02				2	2	-			
			2A3246-01						2	2		
3	Front Strike Plate		4A0355-01	1	1	1	1	1	1	-		
			4A4587-01								2	
4	Base Strike Plate		4A0354-01	1	1	1	1	1	1	-		
			4A0472-01								2	
5	Light Bulb		4A0437-01	1	1	1	-					
			4A2420-01				1	1	1	1		
6	Light Shield		4A0465-01	1	1	1	1	1	1	1		
6a	Truss Head Screw		7C32-0510	2	-							
	Cheese Head Screw		7C52-0512		2	2	2	2	2	2		
7	Insert		4A0839-01	Non-inter-changeable part.			2	2	2	2		
8	Lampholder		4A2862-01	Order HS-3554 - Lampholder Conversion Kit.			1	1	1	1		

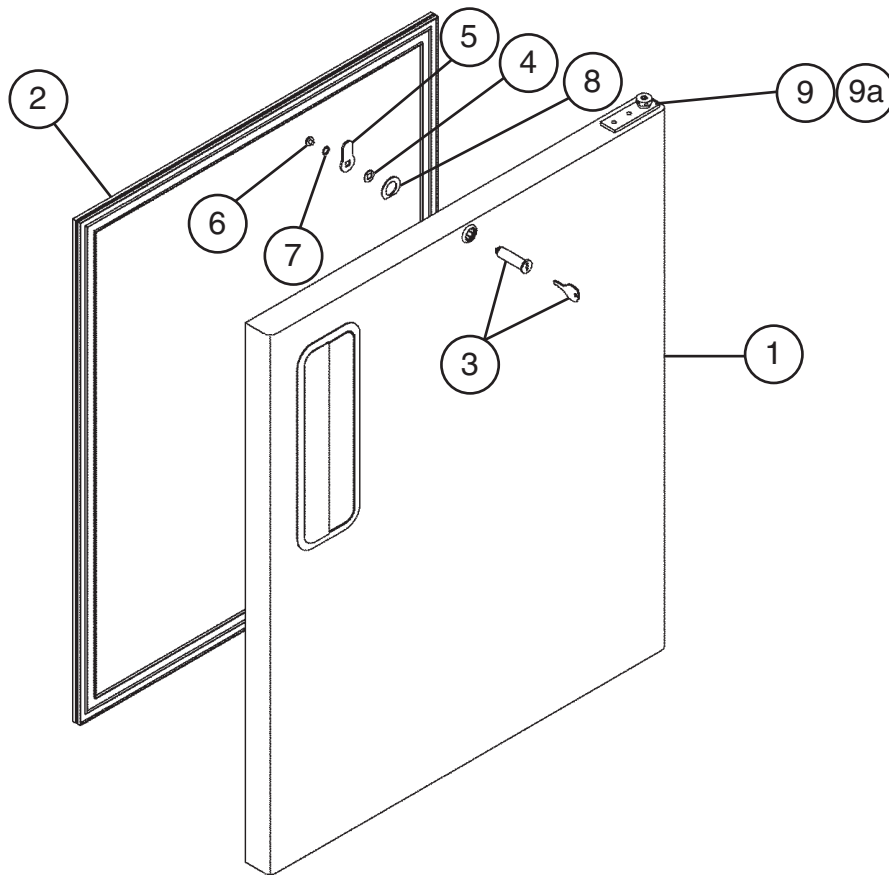
HS-3554 - Lampholder Conversion Kit												
Index No.	Description	Material or Model Number	Part Number	Required Number								
				M-6 and Earlier								
HS1	Lampholder Mount Plate		4A2880-01	1								
HS1a	Cheese Head Screw		7C52-0512	2								
HS2	Lampholder		4A2862-01	1								
HS2a	Flag Terminal		8101-18FJ	2								

H. Door-Right Hinged
Upper Right (UR) Half Solid: FH2-SSB-HD
 J-1 to E-5



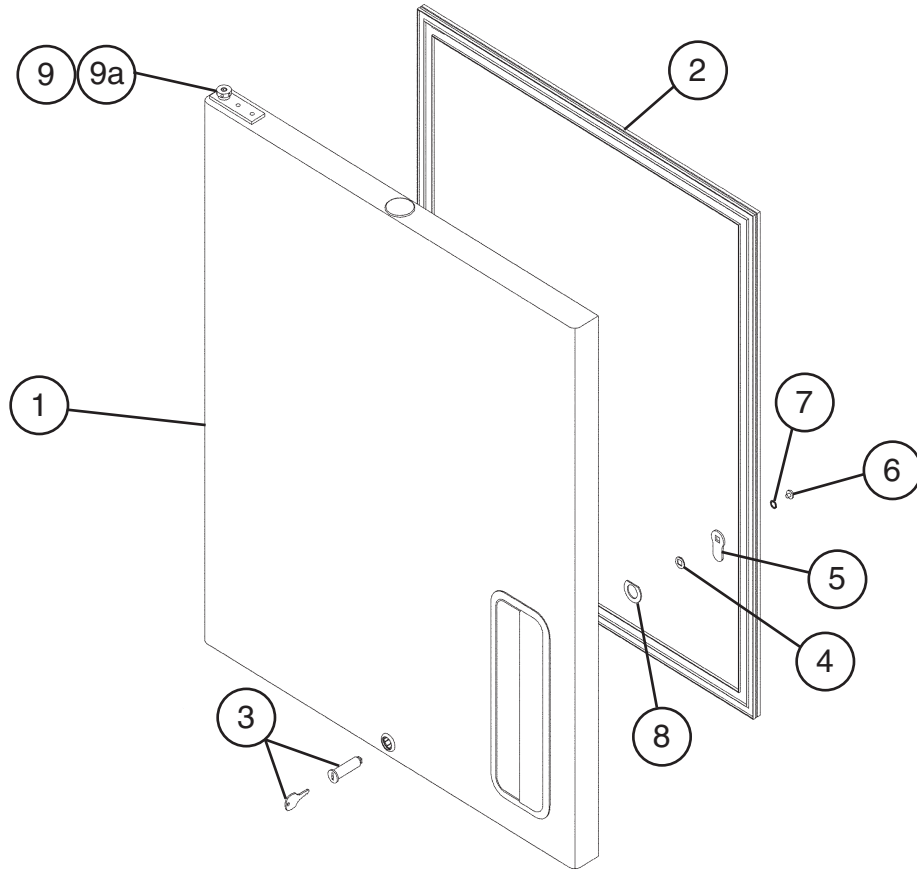
Title: H. Door-Right Hinged Model: Upper Right (UR) Half Solid: FH2-SSB-HD										
Index No.	Description	Material or Model Number	Part Number	Required Number						
				J-1	L-5 to M-7	N-6 to S-5	T-5 to E-5			
1	Upper Right (UR) Half Solid Door Assembly (includes item 2)	HS-3202	1A0326A03	1	1	1	-			
			2A3934G01				1			
2	Door Gasket		3A0273-02	1	1	1	-			
			2A5192-08				1			
3	Door Lock Tumbler (includes Key 4A0460-01)		4A0462-01	1	1	1	1			
4	Door Lock Stop Washer		4A0458-01	1	1	1	1			
5	Door Lock Cam		4A0228-01	1	1	1	1			
6	Door Lock Screw		4A0461-01	1	1	1	1			
7	Door Lock Washer		4A0459-01	1	1	1	1			
8	Door Lock Lock Washer		4A0670-01	1	1	1	1			
9	Right Hinge Spring Cartridge		4A0438-01	1	1	1	1			
9a	Countersunk Screw	5x20, SS	7C42-0520	2	2	2	2			

J. Door-Right Hinged
Lower Right (LR) Half Solid: FH2-SSB-HD
 J-1 to E-5



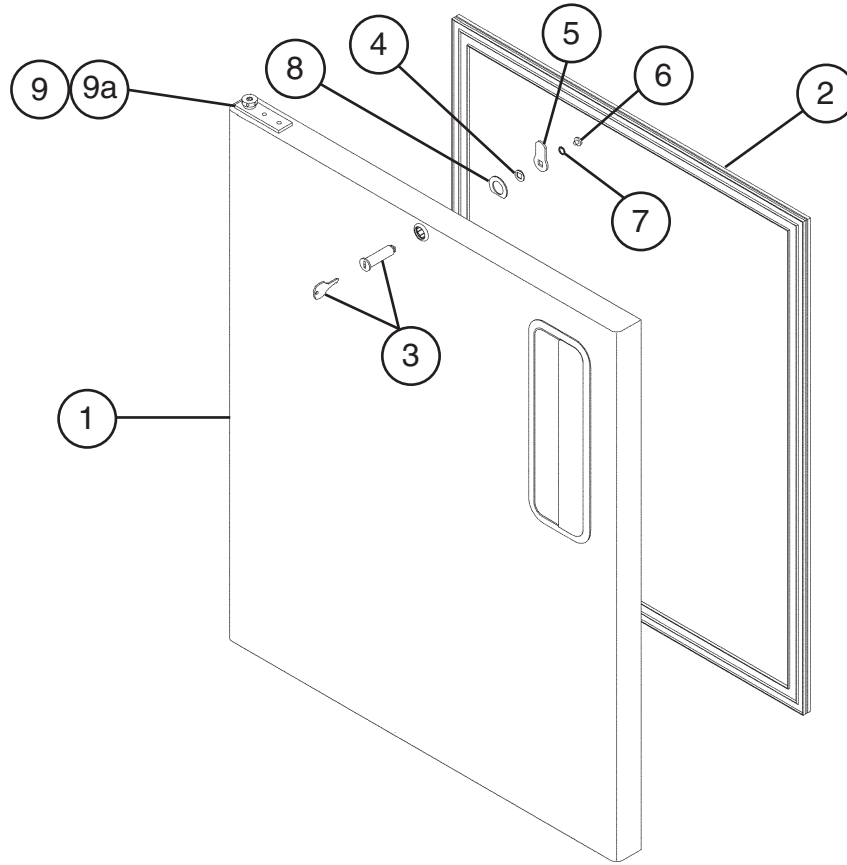
Title: J. Door-Right Hinged Model: Lower Right (LR) Half Solid: FH2-SSB-HD										
Index No.	Description	Material or Model Number	Part Number	Required Number						
				J-1	L-5 to M-7	N-6 to S-5	T-5 to E-5			
1	Lower Right (LR) Half Solid Door Assembly (includes item 2)	HS-3203	1A0324A03	1	1	1	-			
			2A3935G01				1			
2	Door Gasket		3A0273-02	1	1	1	-			
			2A5192-08				1			
3	Door Lock Tumbler (includes Key 4A0460-01)		4A0462-01	1	1	1	1			
4	Door Lock Stop Washer		4A0458-01	1	1	1	1			
5	Door Lock Cam		4A0228-01	1	1	1	1			
6	Door Lock Screw		4A0461-01	1	1	1	1			
7	Door Lock Washer		4A0459-01	1	1	1	1			
8	Door Lock Lock Washer		4A0670-01	1	1	1	1			
9	Left Hinge Spring Cartridge		4A0438-01	1	1	1	1			
9a	Countersunk Screw	5x20, SS	7C42-0520	2	2	2	2			

K. Door-Left Hinged
Upper Left (UL) Half Solid: FH2-SSB-HD
 J-1 to E-5



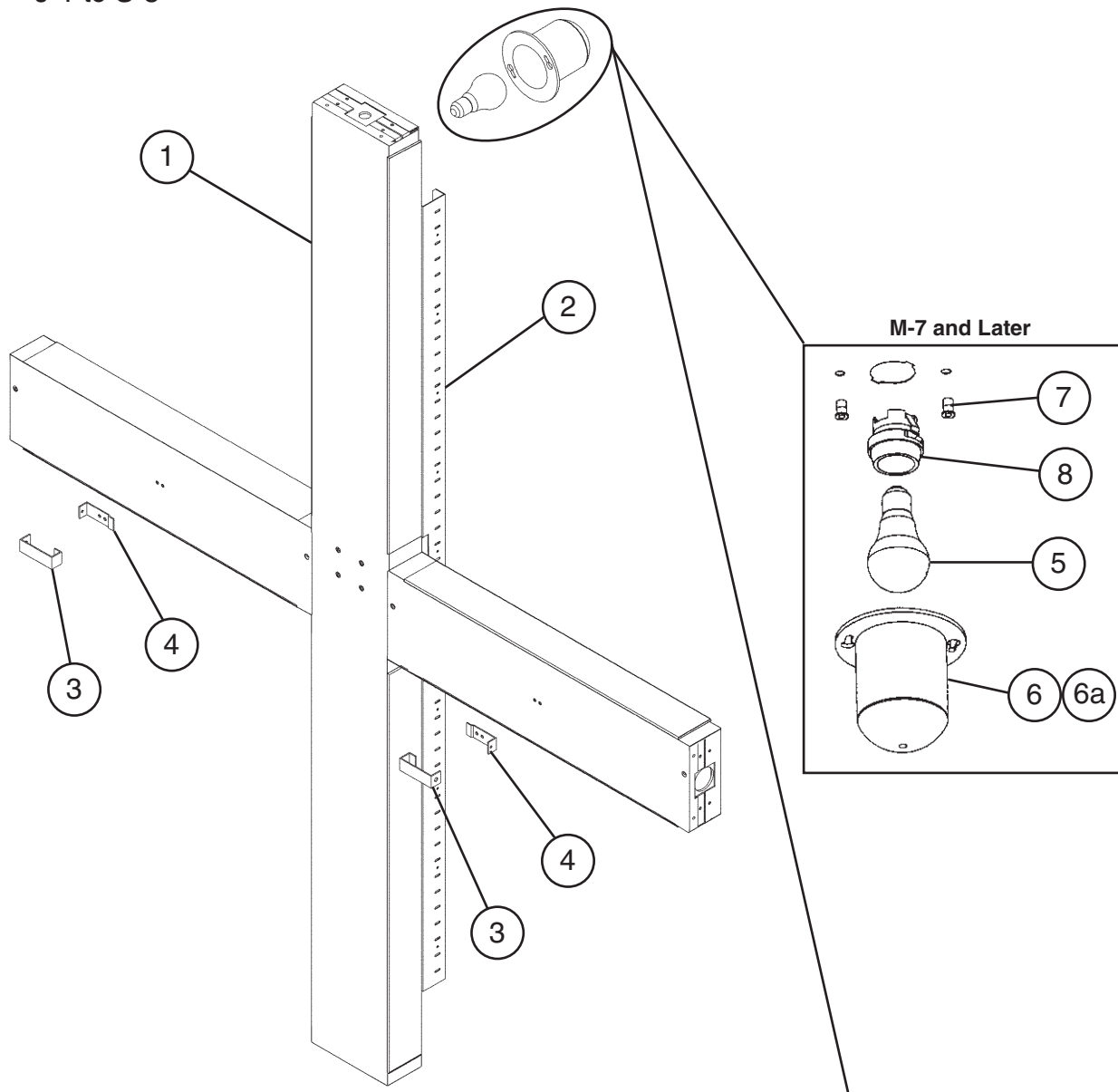
Title: K. Door-Left Hinged Model: Upper Left (UL) Half Solid: FH2-SSB-HD											
Index No.	Description	Material or Model Number	Part Number	Required Number							
				J-1	L-5 to M-7	N-6 to S-5	T-5 to E-5				
1	Upper Left (UL) Half Solid Door Assembly (includes item 2)	HS-3204	1A0324A04	1	1	1	-				
			2A3937G01				1				
2	Half Door Gasket		3A0273-02	1	1	1	-				
			2A5192-08				1				
3	Door Lock Tumbler (includes Key 4A0460-01)		4A0462-01	1	1	1	1				
4	Door Lock Stop Washer		4A0458-01	1	1	1	1				
5	Door Lock Cam		4A0228-01	1	1	1	1				
6	Door Lock Screw		4A0461-01	1	1	1	1				
7	Door Lock Washer		4A0459-01	1	1	1	1				
8	Door Lock Lock Washer		4A0670-01	1	1	1	1				
9	Left Hinge Spring Cartridge		4A0438-02	1	1	1	1				
9a	Countersunk Screw	5x20, SS	7C42-0520	2	2	2	2				

L. Door-Left Hinged
Lower Left (LL) Half Solid: FH2-SSB-HD
 J-1 to E-5



Title: L. Door-Left Hinged Model: Lower Left (LL) Half Solid: FH2-SSB-HD										
Index No.	Description	Material or Model Number	Part Number	Required Number						
				J-1	L-5 to M-7	N-6 to S-5	T-5 to E-5			
1	Lower Left (LL) Half Solid Door Assembly (includes item 2)	HS-3205	1A0326A04	1	1	1	-			
			2A3938G01				1			
2	Door Gasket		3A0273-02	1	1	1	-			
			2A5192-08				1			
3	Door Lock Tumbler (includes Key 4A0460-01)		4A0462-01	1	1	1	1			
4	Door Lock Stop Washer		4A0458-01	1	1	1	1			
5	Door Lock Cam		4A0228-01	1	1	1	1			
6	Door Lock Screw		4A0461-01	1	1	1	1			
7	Door Lock-Washer		4A0459-01	1	1	1	1			
8	Door Lock Lock Washer		4A0670-01	1	1	1	1			
9	Hinge Spring Cartridge		4A0438-02	1	1	1	1			
9a	Countersunk Screw	5x20, SS	7C42-0520	2	2	2	2			

**M. Cross Mullion
FH2-SSB-HD
1/2
J-1 to S-5**

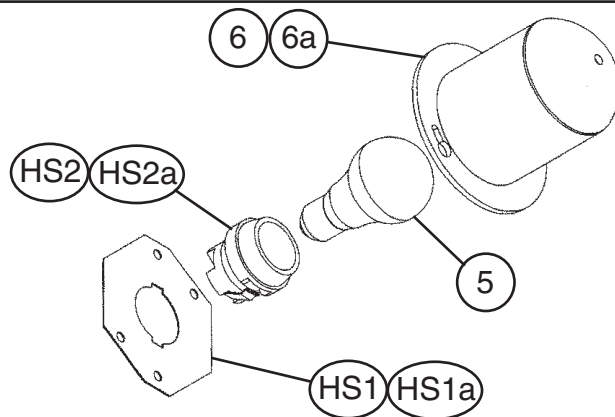


M-6 and Earlier

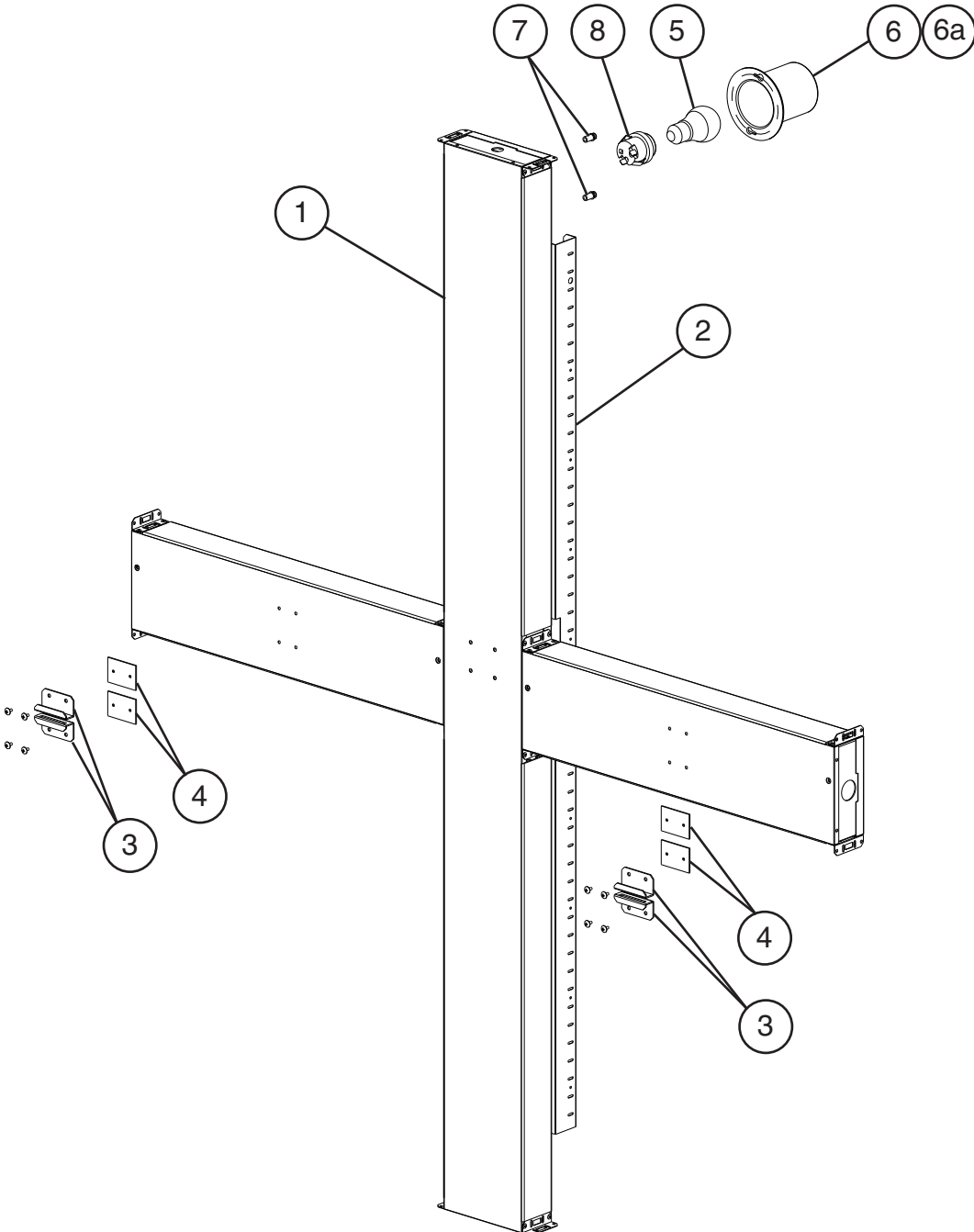
The santoprene light socket was changed to a porcelain lampholder at M-7. This change is non-interchangeable. If the light socket is not operating on a unit with a santoprene light socket, order **HS-3554 - Lampholder Conversion Kit**.

Note:

Parts 5, 6 and 6a are not included in HS-3554; they are shown for reference only.



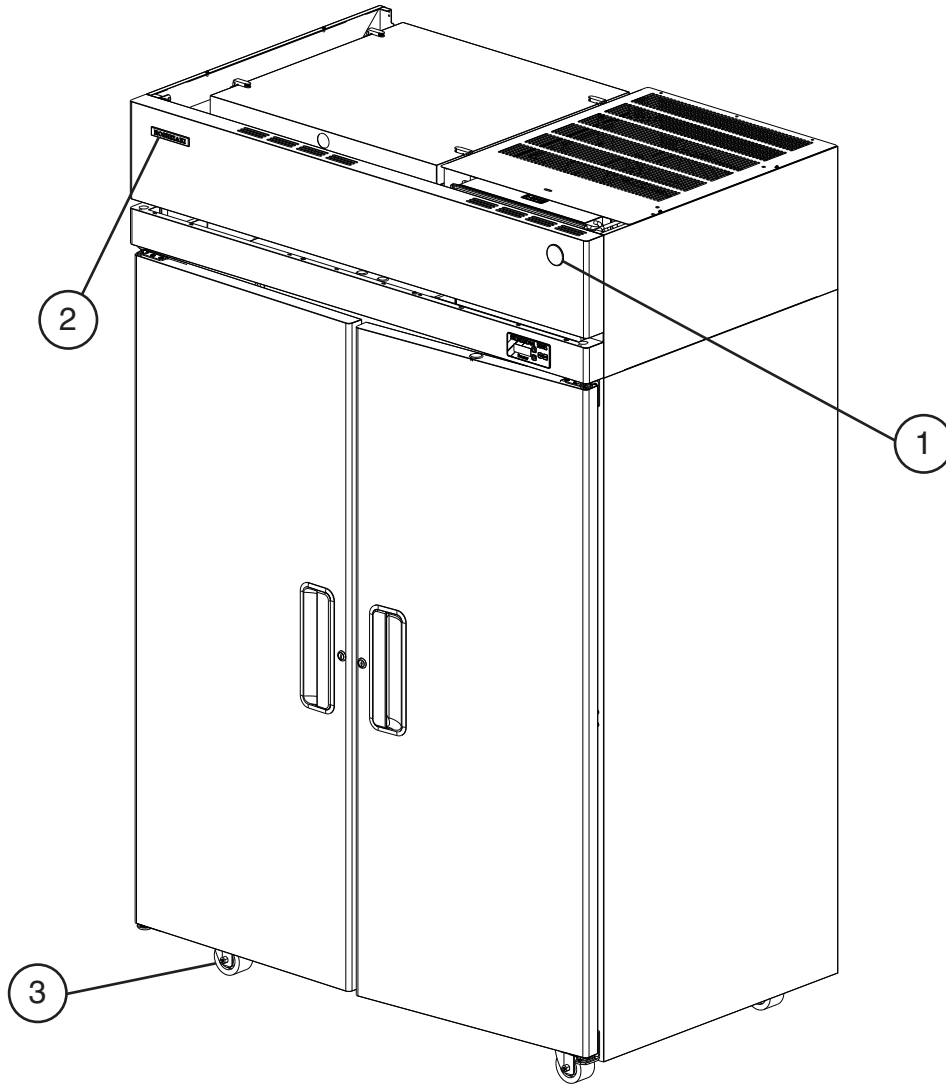
M. Cross Mullion
FH2-SSB-HD
2/2
T-5 to E-5



Title: M. Cross Mullion Model: FH2-SSB-HD												
Index No.	Description	Material or Model Number	Part Number	Required Number								
				J-1	L-5	M-6	M-7 to P-6	Q-5 to S-5	T-5 to E-5			
1	Mullion-Prefoam (T-5 and later includes items 2 through 8)		2A1351G01	1	-							
			2A1351G04		1	1	1	1	-			
			2A4767G01						1			
2	Mullion Pilaster		2A0205-02	2	2	2	2	-				
			2A3246-01					2	2			
3	Front StrikePlate		4A0355-01	2	2	2	2	2	-			
			4A4587-01						4			
4	Base Strike Plate		4A0354-01	2	2	2	2	2	-			
			4A0472-01						4			
5	Light Bulb		4A0437-01	1	1	-						
			4A2420-01			1	1	1	1			
6	Light Shield		4A0465-01	1	1	1	1	1	1			
6a	Truss Head Screw		7C32-0510	2	-							
	Cheese Head Screw		7C52-0512		2	2	2	2	2			
7	Threaded Wide Insert		4A0839-01	Non-interchangeable part change. If light socket is not operating for these codes, order conversion kit HS-3554 (below).			2	2	2			
8	Lampholder		4A2862-01				1	1	1			

HS-3554 - Lampholder Conversion Kit												
Index No.	Description	Material or Model Number	Part Number	Required Number								
				M-6 and earlier								
HS1	Lampholder Mount Plate	SS	4A2880-01	1								
HS1a	Cheese Head Screw	SS	7C52-0512	2								
HS2	Lampholder		4A2862-01	1								
HS2a	Flag Terminal		8101-18FJ	2								

N. Accessories & Labels
FH2-SSB(-HD)
H-0 to F-5



Title: N. Accessories & Labels		Model: FH2-SSB(-HD)		Required Number								
Index No.	Description	Material or Model Number	Part Number	H-0 to F-5								
Stem Caster												
1	Label-Penguin-HA(L)		456246-02	1								
2	Emblem-Hoshizaki		4A0560-01	1								
3	4-inch Stem Caster Pack (includes 1 locking caster and 1 non-locking caster)	(HS-3546)	4A1347-03	2								
4	Stem Caster Shim Kit (includes item 5)		HS-3590	2								
5	Stem Caster Shim		4A3658-01	6								