



# HOSHIZAKI

## Parts List

Modular Flaker

Models

FD-1002MAJ-C, MRJ-C, MRJ-CB



[hoshizakiamerica.com](http://hoshizakiamerica.com)

Number: 71372  
Issued: 8-14-2017  
Revised: 5-4-2020

## CONTENTS

Note About Ordering Parts .....	3
A. Main Assembly & Refrigeration Circuit .....	4
FD-1002MAJ-C .....	4
FD-1002MRJ-C, FD-1002MRJ-CB .....	7
B. Icemaking Unit.....	10
C. Water Circuit.....	12
D. Control Box Assembly.....	14
E. Accessories & Labels .....	16

## **Auxiliary Codes**

### **FD-1002MAJ-C**

F-0 August 2016  
G-0 January 2017  
G-1 April 2017  
H-0 January 2018  
J-0 January 2019  
J-1 April 2019  
J-2 July 2019  
J-3 September 2019  
K-0 January 2020

### **FD-1002MRJ-C**

F-0 August 2016  
G-0 January 2017  
G-1 April 2017  
H-0 January 2018  
J-0 February 2019  
J-1 April 2019  
J-2 July 2019  
J-3 September 2019  
K-0 January 2020

### **FD-1002MRJ-CB**

K-0 May 2020

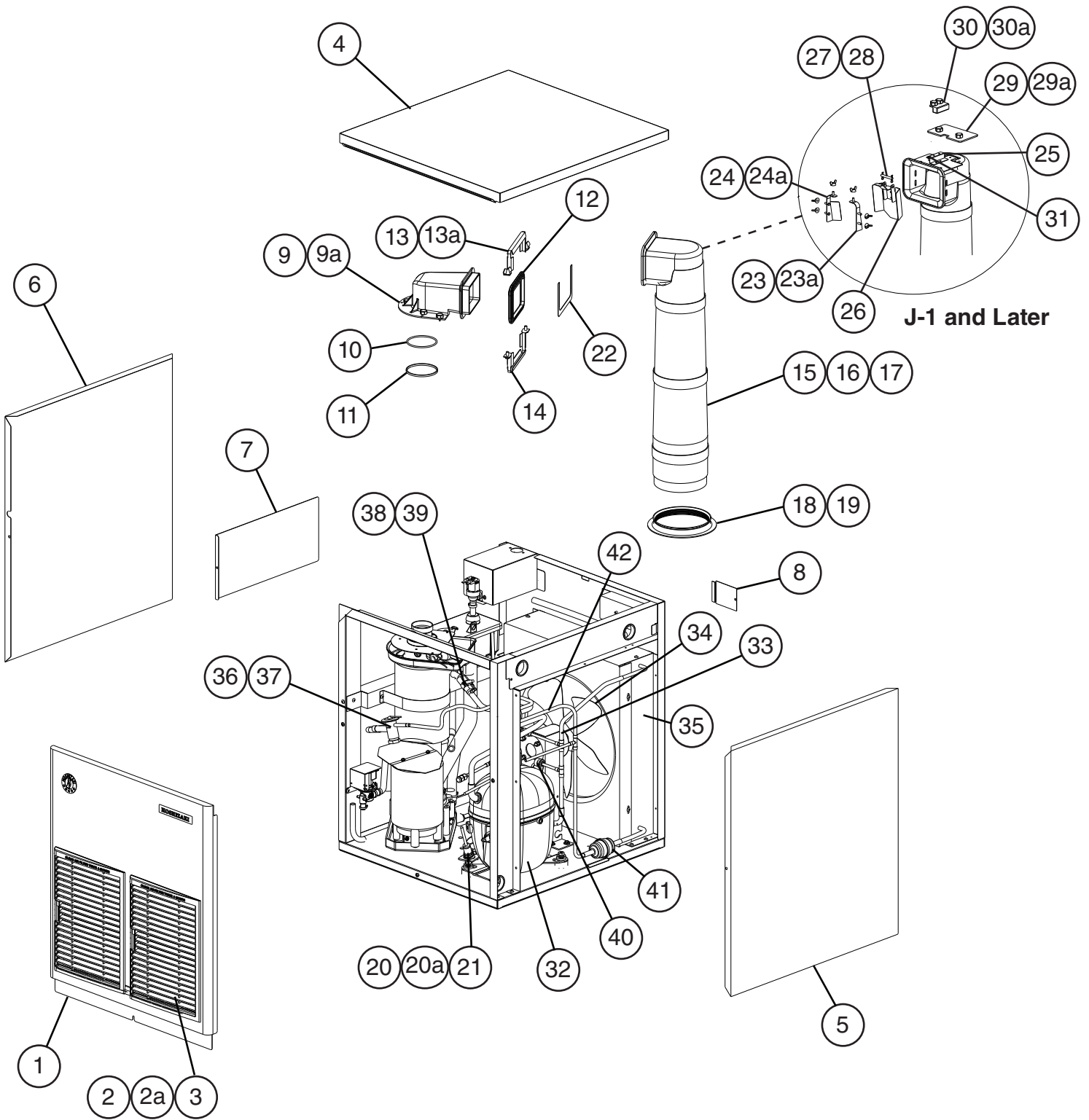
## **Auxiliary Code Breakdown**

The auxiliary code is the first two characters in the serial number. The first character indicates the year. Years progress or regress in alphabetical order. The series runs from "A" through "V" and the letters "I" and "O" are skipped. The second character indicates significant part changes within a year. Base is "0" and this number advances for each change. In cases where there is a letter in parentheses, this designates the month. This is the last character in the serial number. The series runs from "(A)" through "(M)" and the letter "(I)" is skipped. This designation is only included when identifying a parts change within an auxiliary code.

## **Note About Ordering Parts**

Most assemblies cannot be ordered as complete units; parts in the assemblies generally must be ordered separately.

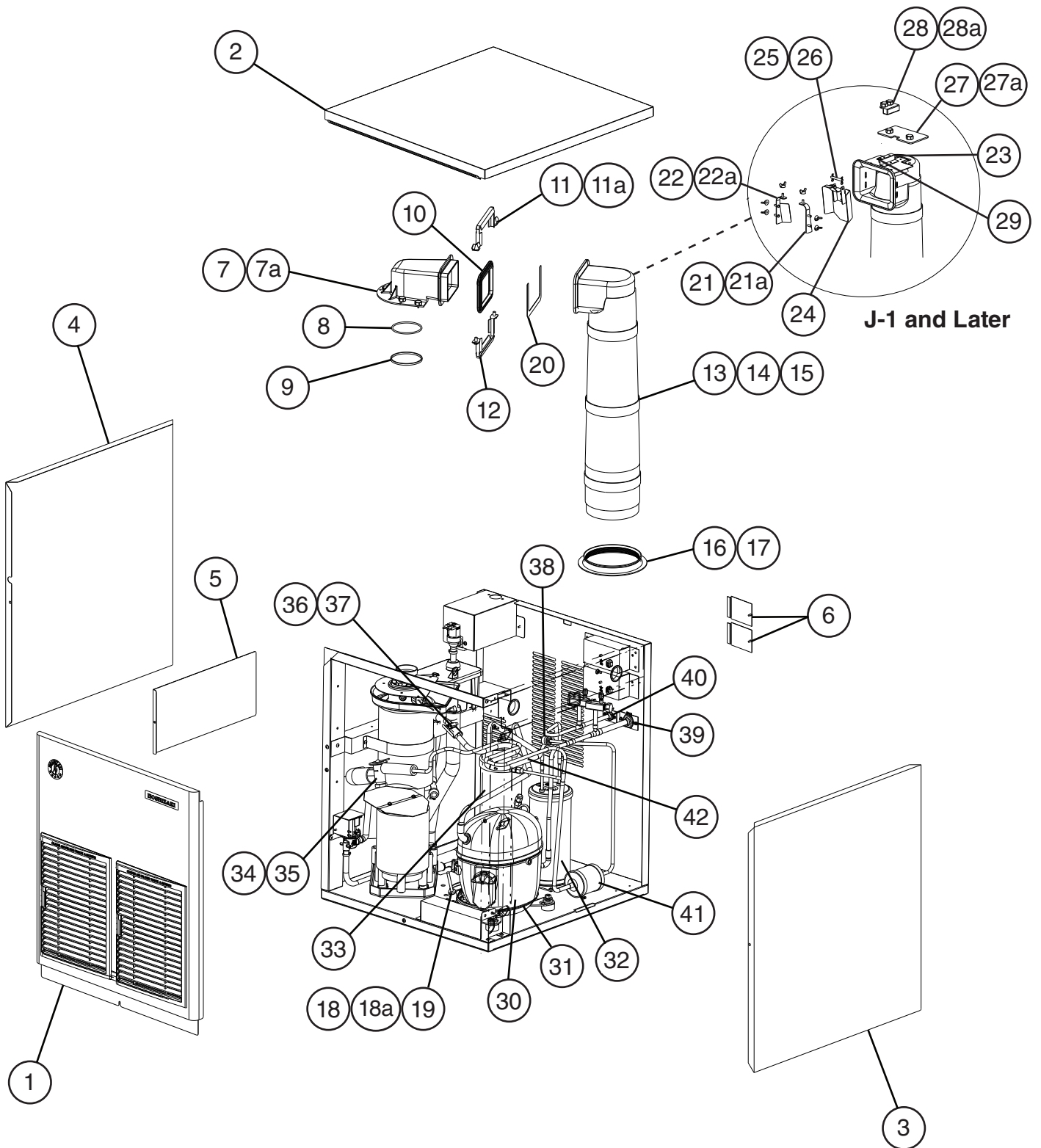
**A. Main Assembly & Refrigeration Circuit**  
**FD-1002MAJ-C**  
 F-0 to K-0



Title: A. Main Assembly & Refrigeration Circuit Model: FD-1002MAJ-C											
Index No.	Description	Material or Model Number	Part Number	Required Number							
				F-0 to G-0	G-1 H-0	J-0	J-1 to K-0				
<b>Main Assembly</b>											
1	Front Panel		2A2071-01	1	1	1	1				
2	Louver		1A0548-01	2	2	2	2				
2a	Push Retainer		4A2414-01	6	6	-					
3	Air Filter		2A2063G01	2	2	2	2				
4	Top Panel		2A7090-01	1	1	1	1				
5	Right Side Panel		2A4432G01	1	1	1	1				
6	Left Side Panel		2A3897G01	1	1	1	1				
7	Control Box Cover		3A4544-01	1	1	1	1				
8	Junction Box Cover		433410-01	1	1	1	1				
9	Spout		104797-01	1	1	1	1				
9a	Thumbscrew		415949G08	5	5	5	5				
10	O-Ring		4A4755-03	1	1	1	1				
11	Nylon Ring		432661-02	1	1	1	1				
12	Spout-to-Chute Packing		321037-01	1	1	1	1				
13	Upper Strap		328703-02	1	1	1	1				
13a	Wing Nut		7E12-0600	2	2	2	2				
14	Lower Strap		321038G02	1	1	1	1				
15	Chute		2A1919-01	1	1	1	1				
16	Chute Insulation		2A1920-01	1	1	1	1				
17	Chute Tie		436531G01	3	-						
18	Chute Packing		432877-01	1	1	1	1				
19	Ring		3A1017-01	1	1	1	1				
20	Bin Control 1 Housing (infrared sensor)		3A3478-01	1	1	1	1				
20a	Thumbscrew		415949G08	1	1	1	1				
21	Bin Control 1 (infrared sensor)		4A4469-01	1	1	1	1				
22	Spout-to-Chute Bracket		4A1712-01	1	1	1	1				
23	Chute Baffle A		3A0400G01				1				
23a	Wing Nut		7E12-0400				3				
24	Chute Baffle B		3A0399G01				1				
24a	Wing Nut		7E12-0400				3				
25	Bin Control 2 Bracket (mechanical bin control)		3A1744G01				1				
26	Actuator		436848G01				1				
27	Shaft		436851-01				1				
28	Snap Pin		715S-0005				2				
29	Plate		4A2039-01				1				
29a	Thumbscrew		415949G10				2				
30	Bin Control 2 Proximity Switch (mechanical bin control)		4A2033-01				1				
30a	Thumbscrew		415949G08				2				
31	Truss Head Screw (ground)		7C32-0408				1				

Title: A. Main Assembly & Refrigeration Circuit Model: FD-1002MAJ-C												
Index No.	Description	Material or Model Number	Part Number	Required Number								
				F-0 to G-0	G-1 H-0	J-0	J-1 to K-0					
<b>Refrigeraton Circuit</b>												
32	Compressor		4A5669-01	1	1	1	1					
33	Fan Motor		4A3158-01	1	1	1	1					
34	Fan Blade		4A0197-01	1	1	1	1					
35	Condenser		211663-02	1	1	1	1					
36	Thermostatic Expansion Valve		4A3493-01	1	1	1	1					
37	Thermostatic Expansion Valve Cover		4A1168-01	1	1	1	1					
38	Thermostatic Expansion Valve Bulb Holder		3A0112-01	1	1	1	1					
39	Clamp		443461-01	1	1	1	1					
40	High-Pressure Switch		463180-04	1	1	1	1					
41	Drier		4A2666-01	1	1	1	1					
42	Heat Exchanger		3A7904G01	1	1	1	1					

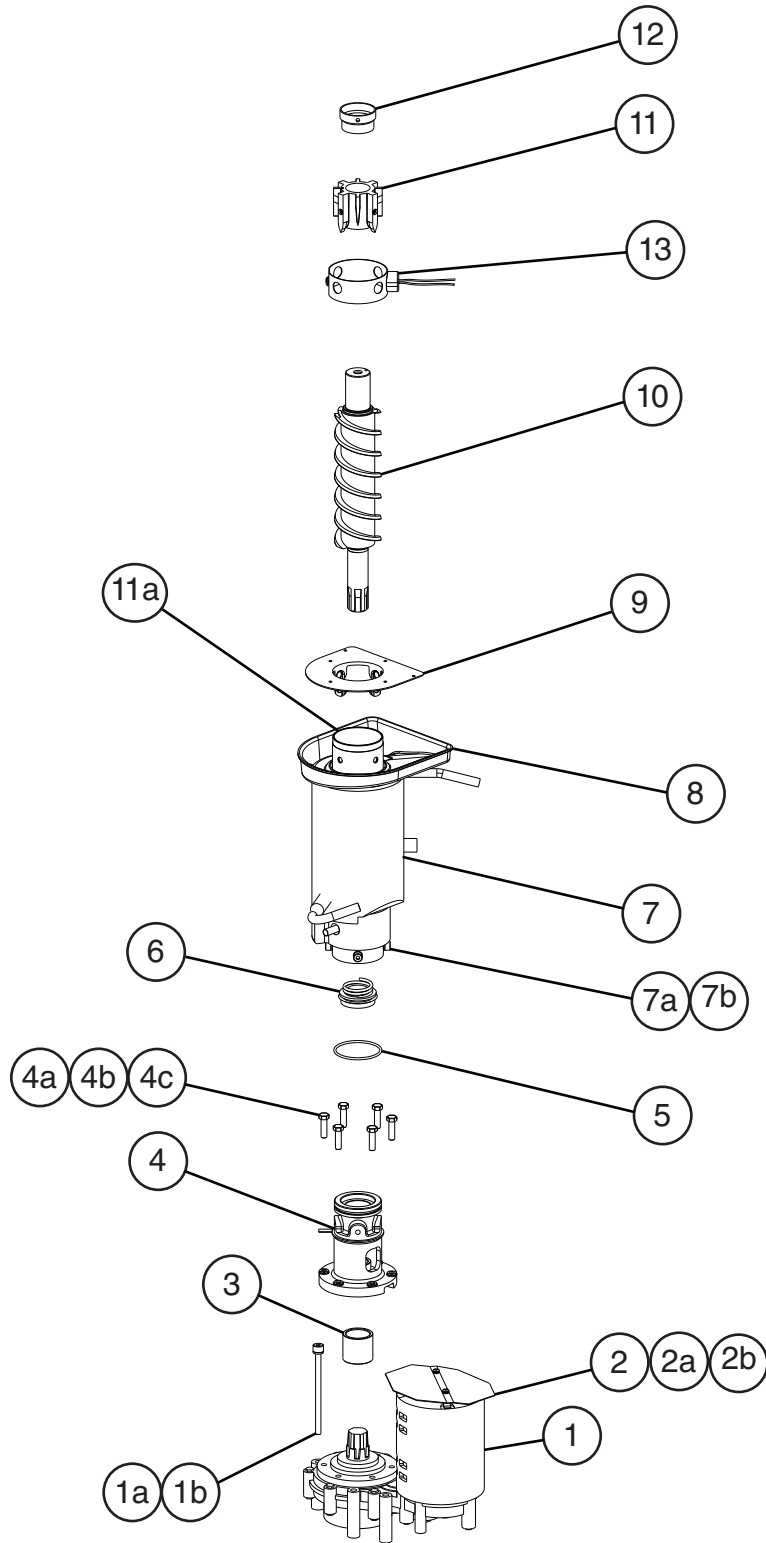
**A. Main Assembly & Refrigeration Circuit**  
**FD-1002MRJ-C, FD-1002MRJ-CB**  
 F-0 to K-0



Title: A. Main Assembly & Refrigeration Circuit Model: FD-1002MRJ-C, FD-1002MRJ-CB												
Index No.	Description	Material or Model Number	Part Number	Required Number								
				F-0 to G-0	G-1 to J-0	J-1 J-2	J-3	K-0				
<b>Main Assembly</b>												
1	Front Panel	FD-1002MRJ-C	2A2071-01	1	1	1	1	1				
		FD-1002MRJ-CB	1A6090A01					1				
2	Top Panel		2A7090-01	1	1	1	1	1				
3	Right Side Panel		2A4432G01	1	1	1	1	1				
4	Left Side Panel		2A3897G01	1	1	1	1	1				
5	Control Box Cover		3A4544-01	1	1	1	1	1				
6	Junction Box Cover		433410-01	2	2	2	2	2				
7	Spout		104797-01	1	1	1	1	1				
7a	Thumbscrew		415949G08	5	5	5	5	5				
8	O-Ring		4A4755-03	1	1	1	1	1				
9	Nylon Ring		432661-02	1	1	1	1	1				
10	Spout-to-Chute Packing		321037-01	1	1	1	1	1				
11	Upper Strap		328703-02	1	1	1	1	1				
11a	Wing Nut		7E12-0600	2	2	2	2	2				
12	Lower Strap		321038G02	1	1	1	1	1				
13	Chute		2A1919-01	1	1	1	1	1				
14	Chute Insulation		2A1920-01	1	1	1	1	1				
15	Chute Tie		436531G01	3	-							
16	Packing		432877-01	1	1	1	1	1				
17	Nylon Ring		3A1017-01	1	1	1	1	1				
18	Bin Control 1 Housing (infrared sensor)		3A3478-01	1	1	1	1	1				
18a	Thumbscrew		415949G08	1	1	1	1	1				
19	Bin Control 1 (infrared sensor)		4A4469-01	1	1	1	1	1				
20	Spout-to-Chute Bracket		4A1712-01	1	1	1	1	1				
21	Chute Baffle A		3A0400G01			1	1	1				
21a	Wing Nut		7E12-0400			3	3	3				
22	Chute Baffle B		3A0399G01			1	1	1				
22a	Wing Nut		7E12-0400			3	3	3				
23	Bin Control 2 Bracket (mechanical bin control)		3A1744G01			1	1	1				
24	Actuator		436848G01			1	1	1				
25	Shaft		436851-01			1	1	1				
26	Snap Pin		715S-0005			2	2	2				
27	Plate		4A2039-01			1	1	1				
27a	Thumbscrew		415949G10			2	2	2				
28	Bin Control 2 Proximity Switch (mechanical bin control)		4A2033-01			1	1	1				
28a	Thumbscrew		415949G08			2	2	2				
29	Truss Head Screw (ground)		7C32-0408			1	1					

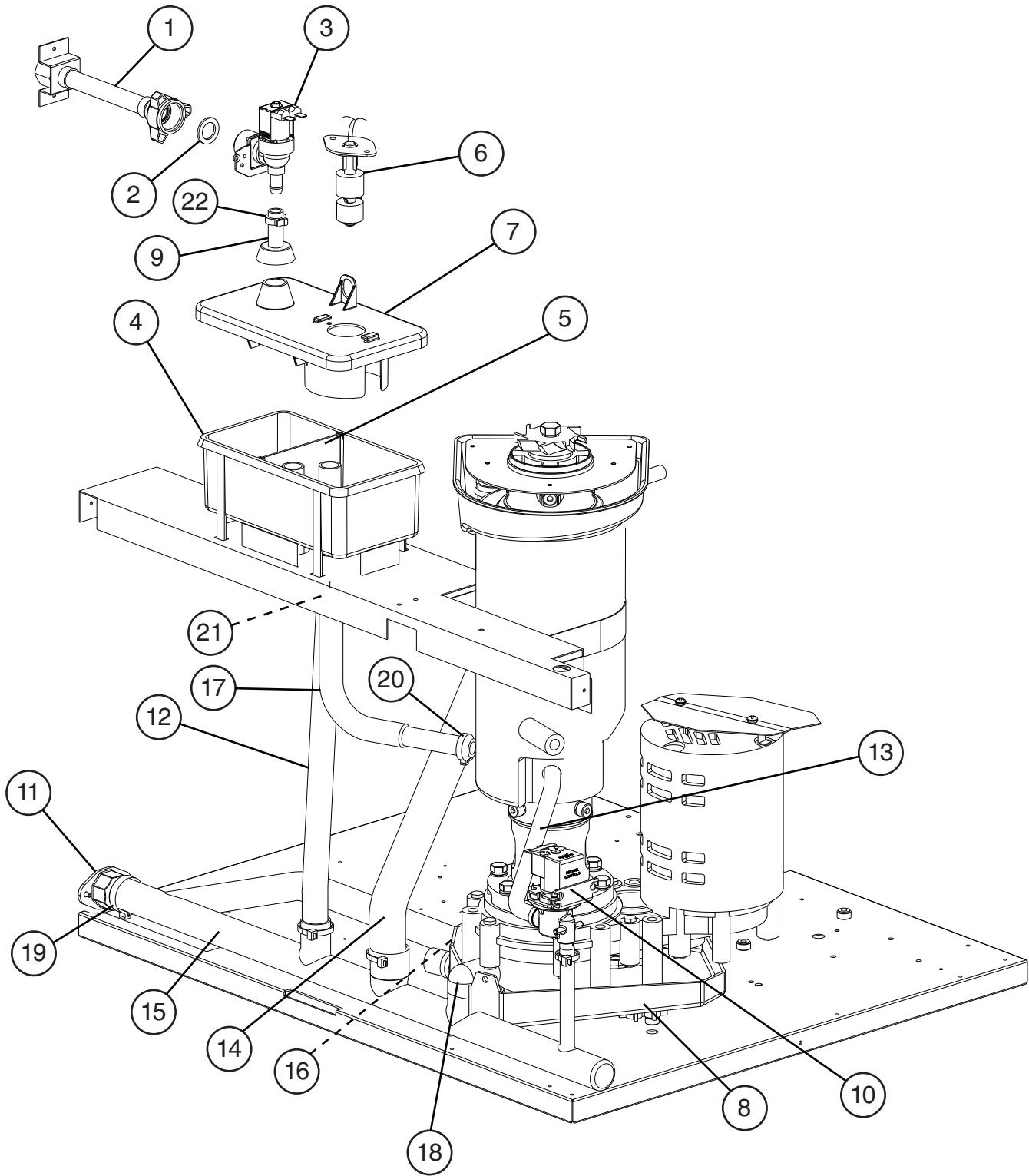
Title: A. Main Assembly & Refrigeration Circuit Model: FD-1002MRJ-C, FD-1002MRJ-CB												
Index No.	Description	Material or Model Number	Part Number	Required Number								
				F-0 to G-0	G-1 to J-0	J-1 to J-2	J-3	K-0				
<b>Refrigeraton Circuit</b>												
30	Compressor		4A5669-01	1	1	1	1	1				
31	Crankcase Heater		4A5091-01	1	1	1	1	1				
32	Receiver		4A6212-01	1	1	1	1	1				
33	Accumulator		3A4276-01				1	1				
34	Thermostatic Expansion Valve		4A3493-01	1	1	1	1	1				
35	Thermostatic Expansion Valve Cover		4A1168-01	1	1	1	1	1				
36	Thermostatic Expansion Valve Bulb Holder		3A0112-01	1	1	1	1	1				
37	Clamp		443461-01	1	1	1	1	1				
38	High-Pressure Switch		463180-04	1	1	1	1	1				
39	Discharge Line Coupling		434072-01	1	1	1	1	1				
40	Liquid Line Coupling		426554-01	1	1	1	1	1				
41	Drier		4A1338-01	1	1	1	1	1				
42	Heat Exchanger		3A7904G01	1	1	1	-					
			3B0348G01				1	1				

**B. Icemaking Unit**  
**FD-1002M\_J-C, FD-1002MRJ-CB**  
 F-0 to K-0



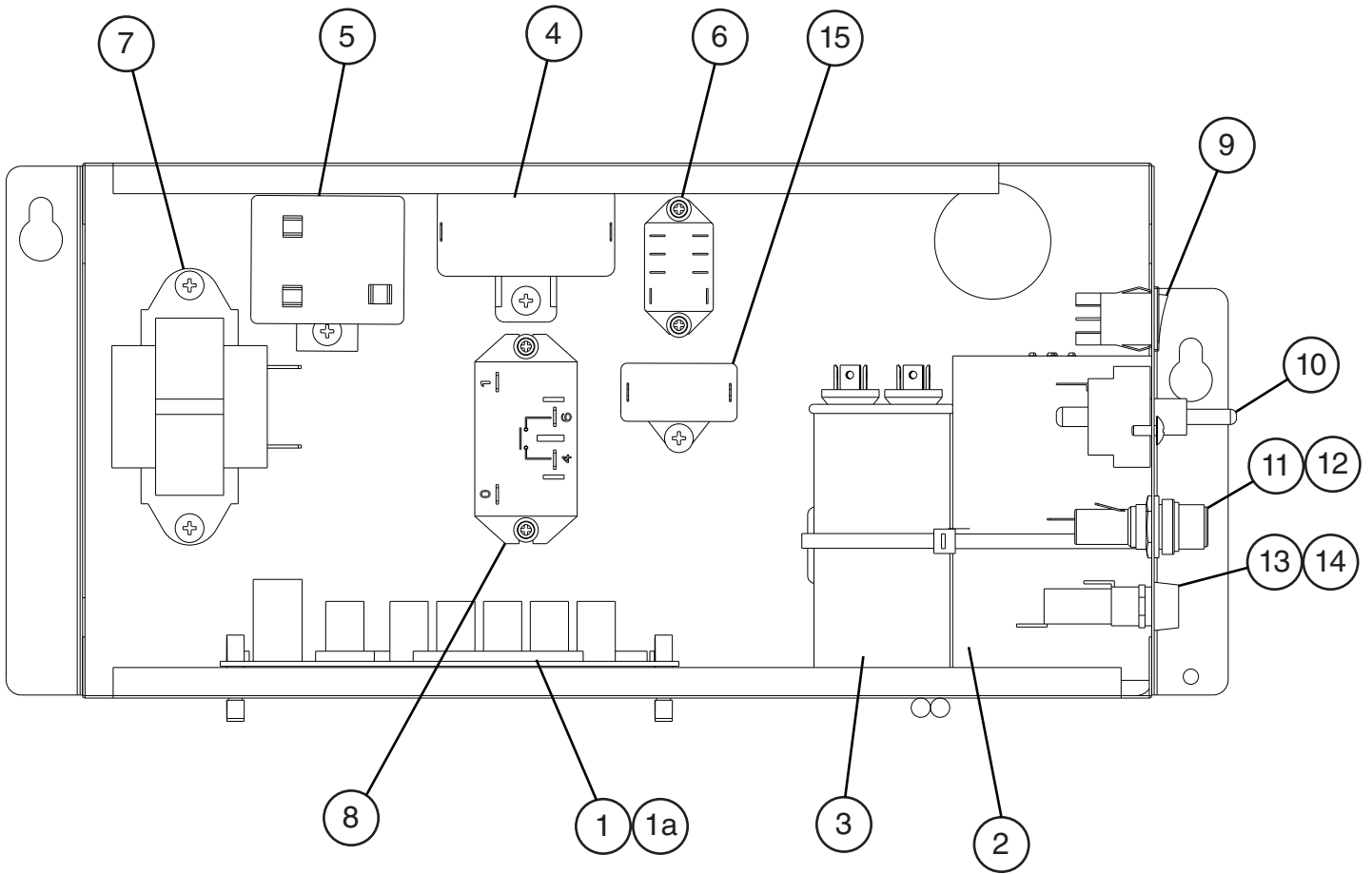
Title: B. Icemaking Unit Model: FD-1002M_J-C, FD-1002MRJ-CB												
Index No.	Description	Material or Model Number	Part Number	F-0 to K-0	Required Number							
1	Gear Motor		4A2007-01	1								
1a	Gear Motor Bolt		7S12-0811	3								
1b	Washer		7L22-0800	3								
2	Gear Motor Barrier		4A4029-01	1								
2a	Truss Head Screw	4x8, SS	7C32-0408	2								
2b	Rubber Washer		4A5268-01	2								
3	Spline Coupling		414137-01	1								
4	Housing		2A1977G01	1								
4a	Hex Head Bolt	8x30, SS	7B02-0830	6								
4b	Plain Washer		7W22-0800	6								
4c	Split Lock Washer		7L22-0800	6								
5	O-Ring		4A4755-02	1								
6	Mechanical Seal		432492-01	1								
7	Evaporator		2A7209G01	1								
7a	Socket Head Cap Screw		7S12-0812	4								
7b	Split Lock Washer		7L22-0800	4								
8	Drip Pan		2A7187-01	1								
9	Flange		352713-01	1								
10	Auger		120863G02	1								
11	Extruding Head		3A2176G01	1								
11a	Seal Bolt		P01768-02	4								
12	Cutter		427183G01	1								
13	Evaporator Heater		4A2292-01	1								

**C. Water Circuit**  
**FD-1002M\_J-C, FD-1002MRJ-CB**  
 F-0 to K-0



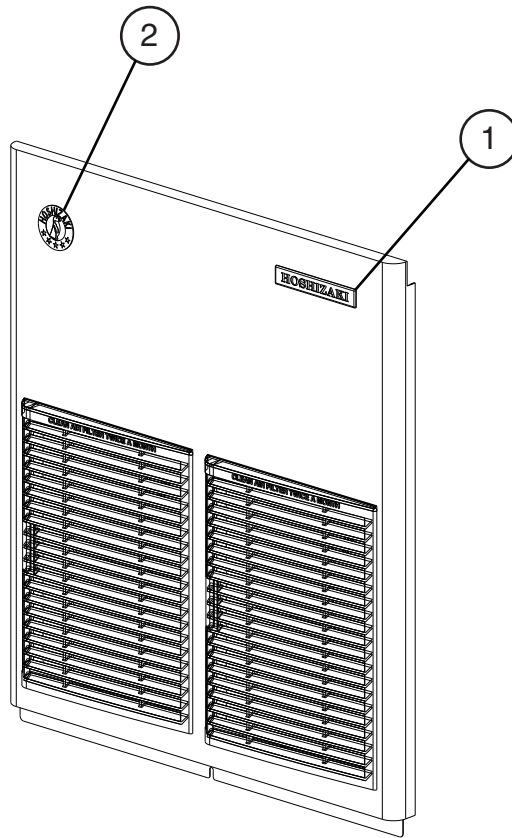
Title: C. Water Circuit Model: FD-1002M_J-C, FD-1002MRJ-CB											
Index No.	Description	Material or Model Number	Part Number	F-0 to K-0	Required Number						
1	Water Supply Pipe		4A4026G02	1							
2	Washer		413854-03	1							
3	Inlet Water Valve		4A5309-01	1							
4	Reservoir		2A0753-01	1							
5	Reservoir Separator		4A1255-01	1							
6	Float Switch		435490-01	1							
7	Reservoir Cover		214810-01	1							
8	Drain Pan		323765G02	1							
9	Reservoir Inlet		4A0869-01	1							
10	Drain Valve		4A2772-02	1							
11	Drain Fitting		4A5528-01	1							
12	Vinyl Hose	L=405 mm	7725-1923	1							
13	Silicone Hose	L=185 mm	773013896	1							
14	Vinyl Hose	L=460 mm	4A0658L01	1							
15	Drain Hose		3A8198-01	1							
16	Vinyl Hose	L=30 mm	7725-1923	1							
17	Reservoir Hose		4A1165-06	1							
18	Elbow		4A5624-01	1							
19	Hose Clamp	26-30 mm	4A2017-02	1							
20	Hose Clamp	17-20 mm	4A2017-05	1							
21	Hose Clamp	19-22 mm	4A2017-06	1							
22	Hose Clamp	14-15 mm	4A2017-08	1							

**D. Control Box Assembly**  
**FD-1002M\_J-C, FD-1002MRJ-CB**  
F-0 to K-0



Title: D. Control Box Assembly Model: FD-1002M_J-C, FD-1002MRJ-CB											
Index No.	Description	Material or Model Number	Part Number	Required Number							
				F-0 to G-1 (L)	G-1 (M) to K-0						
1	Control Board		<a href="#">2A9093-01</a>	1	1						
1a	Control Board Support		<a href="#">4A0336-03</a>	4	4						
2	Start Capacitor	340-408MFD, 250VAC	<a href="#">3A0076-24</a>	1	1						
3	Run Capacitor	40MFD, 370VAC	<a href="#">3A2005-13</a>	1	1						
4	Gear Motor Capacitor	24MFD, 250VAC	<a href="#">4A2273-01</a>	1	1						
5	Start Relay		<a href="#">4A1107-22</a>	1	1						
6	Compressor Control Relay		<a href="#">4A6558-01</a>	1	1						
7	Control Transformer		<a href="#">4A0557-01</a>	1	1						
8	Compressor Relay		<a href="#">4A3140-01</a>	1	1						
9	Control Switch		<a href="#">4A0558-01</a>	1	1						
10	Power Switch		<a href="#">4A2332-01</a>	1	1						
11	Fuse Holder (Control)		<a href="#">4A5443-01</a>	1	1						
12	Fuse (Control)	AGC-1A, 250VAC	<a href="#">4A0893-01</a>	1	1						
13	Fuse Holder (Gear Motor)		<a href="#">4A3449-02</a>	1	-						
			<a href="#">4A6101-01</a>		1						
14	Fuse (Gear Motor)	GMD-3A, 250VAC Slow Blow	<a href="#">4A0893-06</a>	1	1						
15	Fan Motor Capacitor	<b>FD-1002MAJ-C</b> 5MFD, 250VAC	<a href="#">4A6435-02</a>	1	1						

**E. Accessories & Labels**  
**FD-1002M\_J-C, FD-1002MRJ-CB**  
 F-0 to K-0



Title: E. Accessories & Labels    Model: FD-1002M_J-C, FD-1002MRJ-CB											
Index No.	Description	Material or Model Number	Part Number	Required Number							
				F-0 to K-0							
1	Hoshizaki Emblem Label		<a href="#">4A0560-01</a>	1							
2	Penguin Label		<a href="#">475552L02</a>	1							
3	Universal Brace		<a href="#">4A0363-01</a>	2							
3a	Hex Bolt		<a href="#">7B02-0512</a>	2							