



# HOSHIZAKI

## Parts List

Modular Flaker

Models

F-330BAJ(-C)



[hoshizakiamerica.com](http://hoshizakiamerica.com)

Number: 71371  
Issued: 7-5-2016  
Revised: 12-9-2019

## CONTENTS

Auxiliary Codes.....	3
Note About Ordering Parts .....	3
A. Main Assembly & Refrigeration Circuit .....	4
B. Icemaking Unit .....	7
C. Water Circuit.....	9
D. Control Box Assembly.....	11
E. Accessories & Labels .....	12

## Auxiliary Codes

### F-330BAJ

E-0	November 2015
F-0	August 2016
F-1	November 2016
F-2	December 2016
G-0	January 2017
G-1	April 2017
G-2	June 2017
H-0	January 2018
H-1	August 2018
J-0	January 2019
J-1	July 2019

### F-330BAJ-C

E-0	November 2015
F-0	July 2016
F-1	November 2016
G-0	January 2017
G-1	April 2017
G-2	June 2017
H-0	January 2018
H-1	August 2018
J-0	January 2019
J-1	July 2019

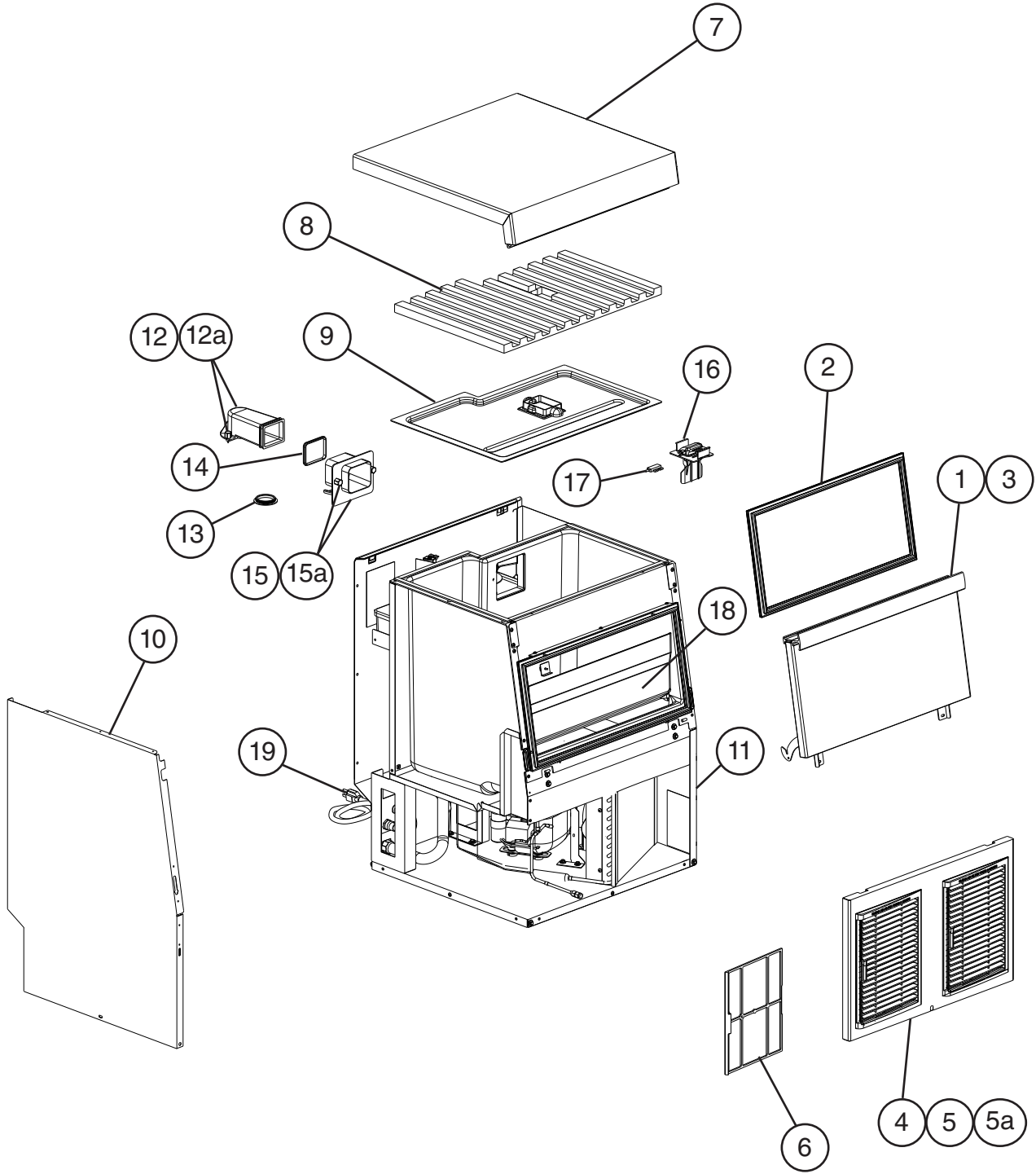
## Auxiliary Code Breakdown

The auxiliary code is the first two characters in the serial number. The first character indicates the year. Years progress or regress in alphabetical order. The series runs from "A" through "V" and the letters "I" and "O" are skipped. The second character indicates significant part changes within a year. Base is "0" and this number advances for each change. In cases where there is a letter in parentheses, this designates the month. This is the last character in the serial number. The series runs from "(A)" through "(M)" and the letter "(I)" is skipped. This designation is only included when identifying a parts change within an auxiliary code.

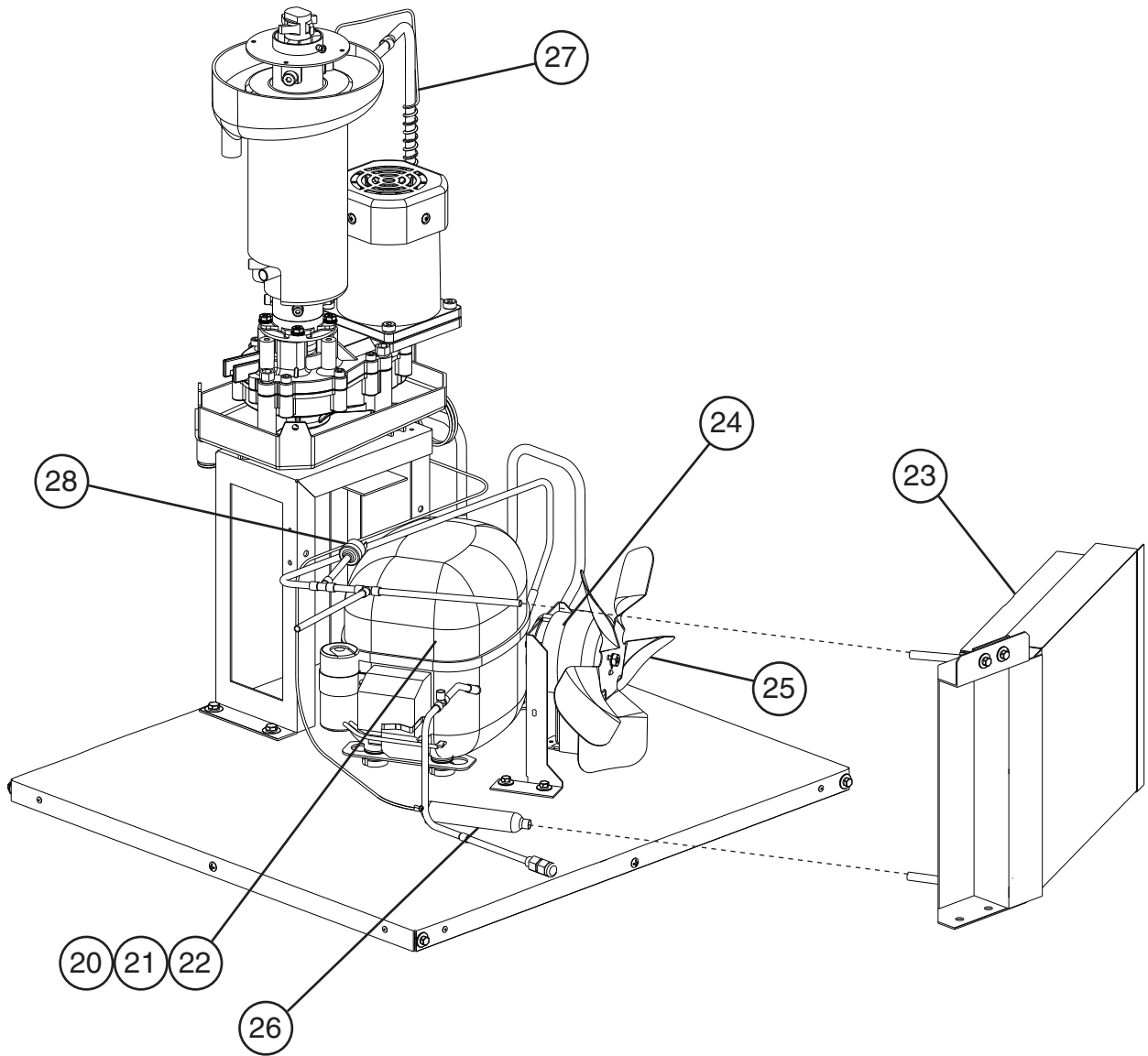
## Note About Ordering Parts

Most assemblies cannot be ordered as complete units; parts in the assemblies generally must be ordered separately.

**A. Main Assembly & Refrigeration Circuit**  
**F-330BAJ(-C)**  
**1/2**  
E-0 to J-1

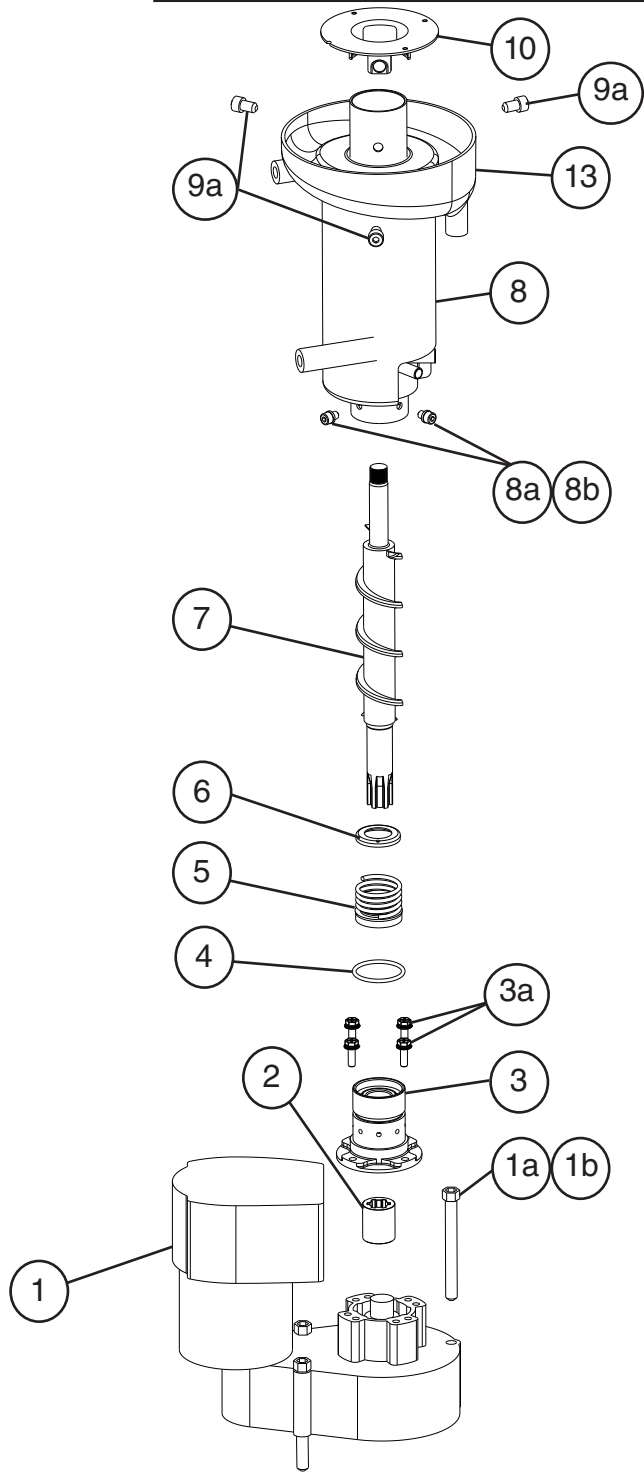
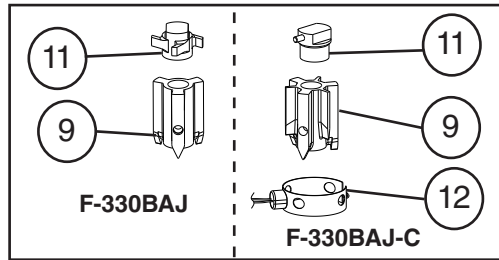


**A. Main Assembly & Refrigeration Circuit**  
**F-330BAJ(-C)**  
**2/2**  
E-0 to J-1



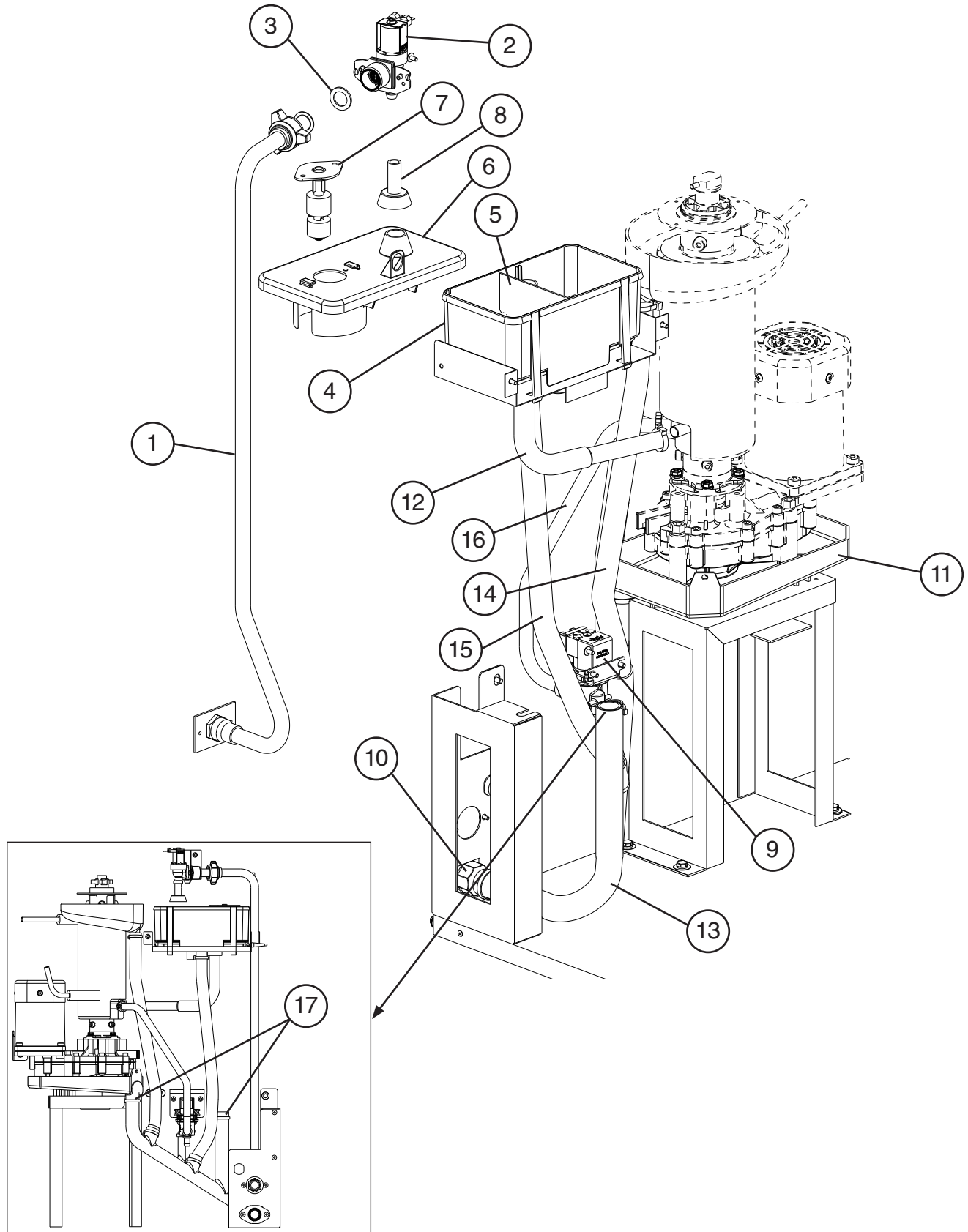
Title: A. Main Assembly & Refrigeration Circuit Model: F-330BAJ(-C)												
Index No.	Description	Material or Model Number	Part Number	E-0 to J-1	Required Number							
<b>Main Assembly</b>												
1	Door		1A3657A01	1								
2	Door Gasket		2A6198-01	1								
3	Door Handle		2A3361-01	1								
4	Front Panel		1A1306-01	1								
5	Louver		1A0548-01	2								
5a	Push Retainer		4A2414-01	6								
6	Air Filter		2A2063G01	1								
7	Top Panel		1A1307-01	1								
8	Top Insulation		1A1304-01	1								
9	Upper Panel		1A1303-01	1								
10	Left Side Panel		2A4079-01	1								
11	Right Side Panel		2A4080-01	1								
12	Spout (A)		208791-02	1								
12a	Thumbscrew		415949G11	3								
13	Packing		427151-01	1								
14	Spout Packing (A)		453663-01	1								
15	Spout (B)		232654-03	1								
15a	Thumbscrew		415949G11	2								
16	Bin Control Actuator		350301A02	1								
17	Bin Control Proximity Switch		453861-02	1								
18	Slope		2A4259-01	1								
19	Power Supply Cord		4A1773-01	1								
<b>Refrigeration Circuit</b>												
20	Compressor		4A4185-01	1								
21	Start Relay (includes external protector)		4A2135-04	1								
22	Start Capacitor	320MFD, 125VAC	4A2134-04	1								
23	Condenser		3A4309-01	1								
24	Fan Motor		4A0408-01	1								
25	Fan Blade		3A0608-01	1								
26	Drier		445655-04	1								
27	Heat Exchanger		2A7808G01	1								
28	High-Pressure Switch		463180-04	1								

**B. Icemaking Unit**  
**F-330BAJ(-C)**  
E-0 to J-1



Title: B. Icemaking Unit Model: F-330BAJ(-C)											
Index No.	Description	Material or Model Number	Part Number	Required Number							
				E-0 to G-2	H-0 to J-1						
1	Gear Motor		4A5439-01	1	-						
			2U0147-01		1						
1a	Socket Head Cap Screw		7S12-0895	3	3						
1b	Split Lock Washer		7L22-0800	3	3						
2	Spline Coupling		418316-01	1	1						
3	Housing		383613G01	1	1						
3a	Bolt		4A1989-01	4	4						
4	O-Ring		4A4755-01	1	1						
5	Mechanical Seal		432491-01	1	1						
6	Ring (B)		432494-01	1	1						
7	Auger		269909G01	1	1						
8	Evaporator		2A7797G01	1	1						
8a	Split Lock Washer	M6, SS	7L22-0600	4	4						
8b	Socket Head Cap Screw	6x10, SS	7S12-0610	4	4						
9	Extruding Head	F-330BAJ	340077G02	1	1						
		F-330BAJ-C	327141G03	1	1						
9a	Seal Bolt		P01768-02	3	3						
10	Flange		464843-01	1	1						
11	Cutter	F-330BAJ	453790-01	1	1						
		F-330BAJ-C	439228G01	1	1						
12	Evaporator Heater	F-330BAJ-C	4A4375-01	1	1						
13	Drip Pan		2A4118-01	1	1						

**C. Water Circuit**  
**F-330BAJ(-C)**  
E-0 to J-1



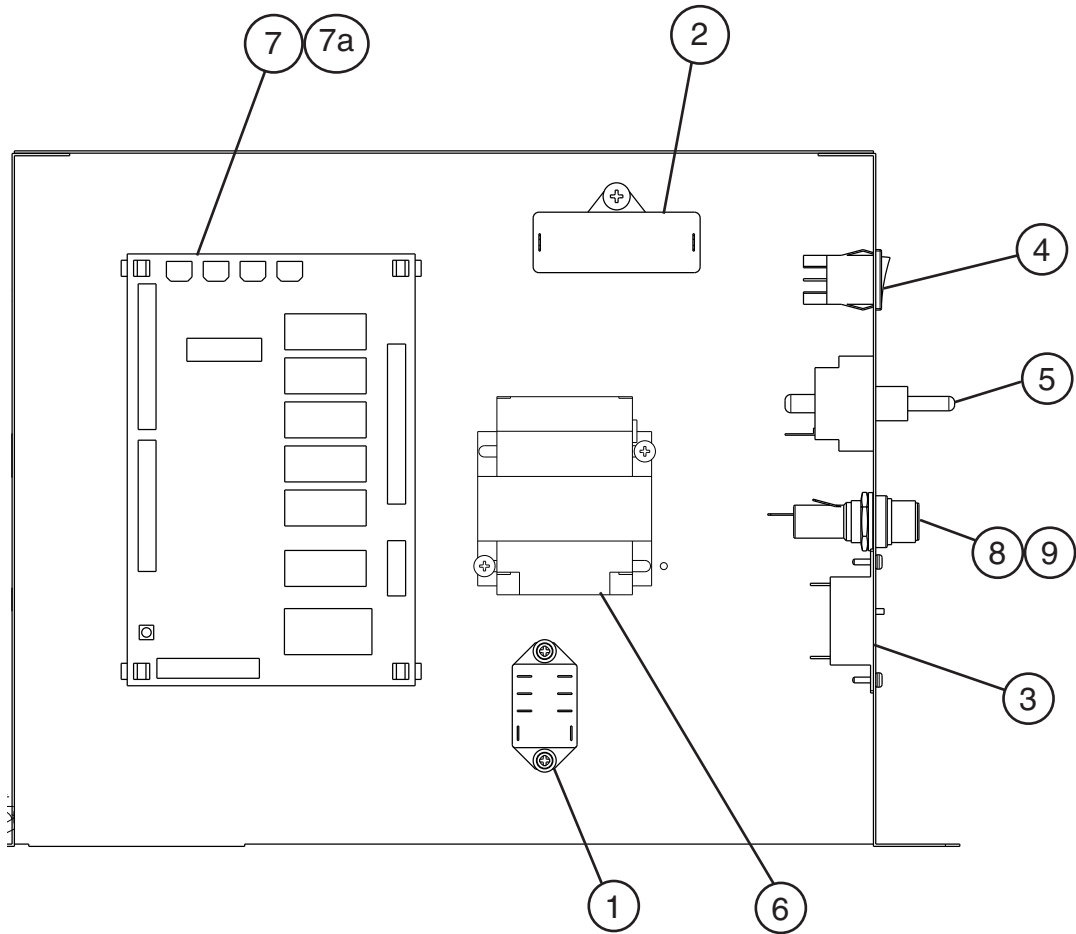
**Title: C. Water Circuit Model: F-330BAJ(-C)**

Index No.	Description	Material or Model Number	Part Number	Required Number																
				E-0 to J-1																
1	Water Supply Pipe		<a href="#">3A4298G02</a>	1																
2	Inlet Water Valve	S-30	<a href="#">4A5309-01</a>	1																
3	Washer		<a href="#">413854-03</a>	1																
4	Reservoir		<a href="#">2A0753-01</a>	1																
5	Reservoir Separator		<a href="#">4A1255-01</a>	1																
6	Reservoir Cover		<a href="#">214810-01</a>	1																
7	Float Switch		<a href="#">435490-01</a>	1																
8	Reservoir Inlet		<a href="#">4A0869-01</a>	1																
9	Drain Valve		<a href="#">4A2772-02</a>	1																
10	Drain Fitting		<a href="#">4A5527-01</a>	1																
11	Drain Pan		<a href="#">323765G01</a>	1																
12	Reservoir Hose		4A1165-13	1																
13	Drain Hose		<a href="#">3A8113-01</a>	1																
14	Vinyl Hose (drip pan hose)	L= 475 mm	7725-1923	1																
15	Vinyl Hose (reservoir overflow)	L= 460 mm	7725-1923	1																
16	Silicone Hose (evaporator drain)	L= 390 mm	<a href="#">773013896</a>	1																
17	Vinyl Hose	L=30 mm	7716-2025	2																

**Hose Clamps**

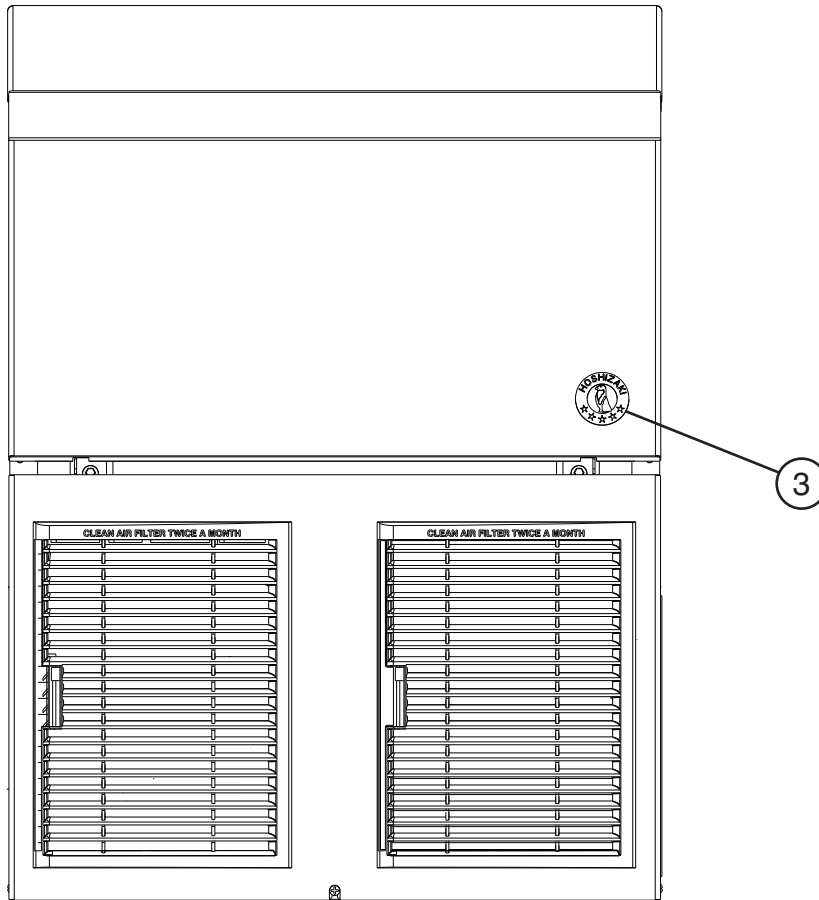
	Hose Clamp	13.5-15 mm	<a href="#">4A2017-08</a>	1																
	Hose Clamp	21-26 mm	<a href="#">4A2017-01</a>	1																
	Hose Clamp	17-21 mm	<a href="#">4A2017-05</a>	1																
	Hose Clamp	15-17 mm	<a href="#">4A2017-07</a>	3																

**D. Control Box Assembly**  
**F-330BAJ(-C)**  
 E-0 to J-1



Title: D. Control Box Assembly		Model: F-330BAJ(-C)		Required Number							
Index No.	Description	Material or Model Number	Part Number	E-0 to G-2	H-0	H-1 to J-1					
1	Compressor Control Relay		406132-07	1	1	1					
2	Gear Motor Capacitor	10MFD, 250VAC	443192-01	1	1	1					
3	Protector	1.6A	427253-01	1	-						
		1.0A	4A6087-01		1	-					
		2.0A	P04531-02				1				
4	Control Switch		4A0558-01	1	1	1					
5	Power Switch		4A2332-01	1	1	1					
6	Control Transformer		4A0507-01	1	1	1					
7	Control Board		2A9093-01	1	1	1					
7a	Control Board Support		4A0336-03	4	4	4					
8	Fuse Holder		4A5443-01	1	1	1					
9	Fuse	AGC-3A, 250VAC	4A0893-03	1	1	1					

**E. Accessories & Labels**  
**F-330BAJ(-C)**  
 E-0 to J-1



Title: E. Accessories & Labels		Model: F-330BAJ(-C)		Required Number								
Index No.	Description	Material or Model Number	Part Number	E-0 to J-1								
1	Scoop		1H4123P02	1								
2	Control Label		4A5996-01	1								
3	Penguin Label		475552L01	1								