



Parts List

ER1A-FS

TABLE OF CONTENTS

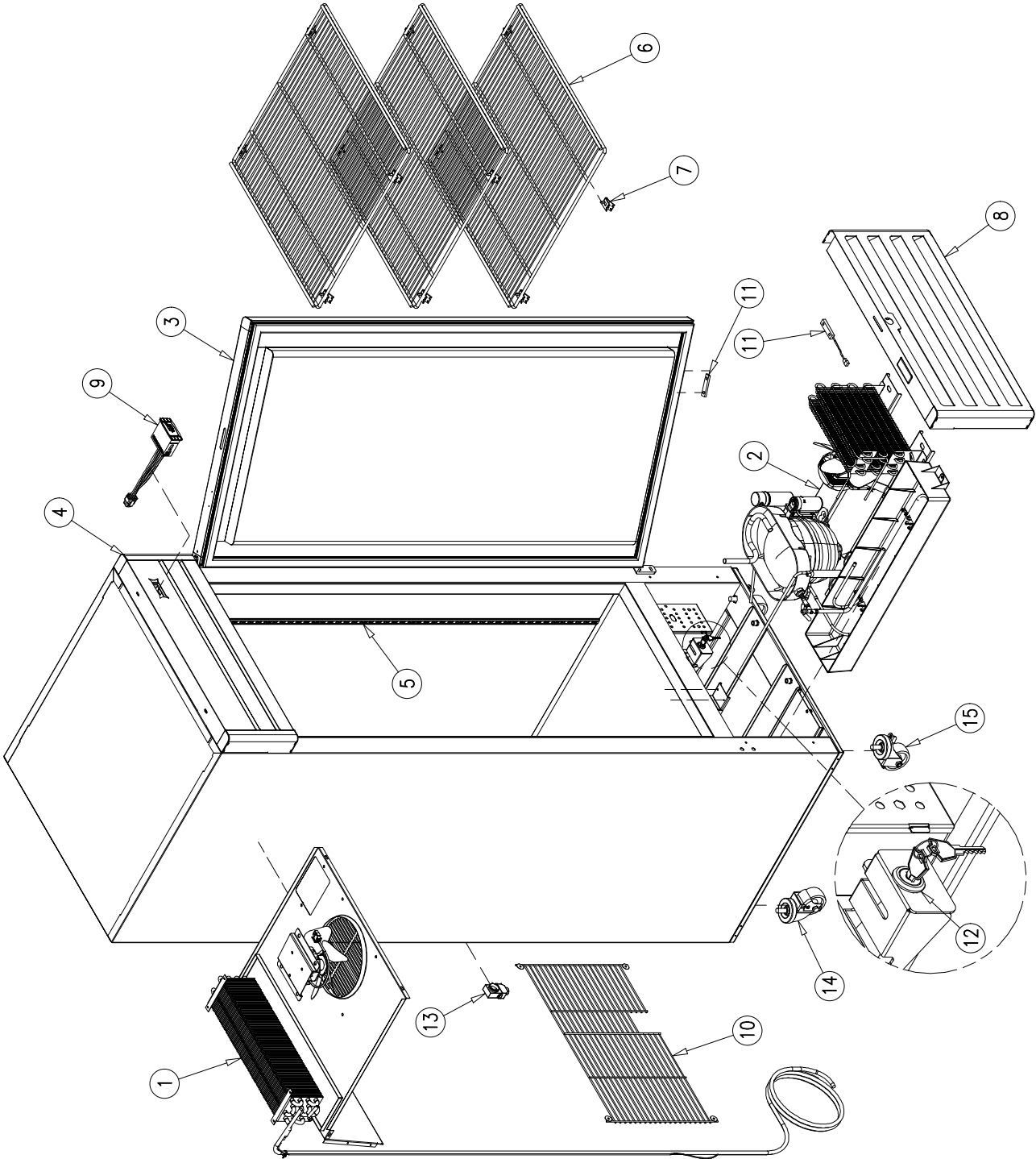
MAIN ASSEMBLY	3
EVAPORATOR ASSEMBLY	5
CONDENSING UNIT ASSEMBLY	7
DOOR ASSEMBLY	9
LIGHTING SYSTEM	11

NOTE:

To order spare parts, always include the following information:

- *Model Number* _____
- *Serial Number* _____

MAIN ASSEMBLY

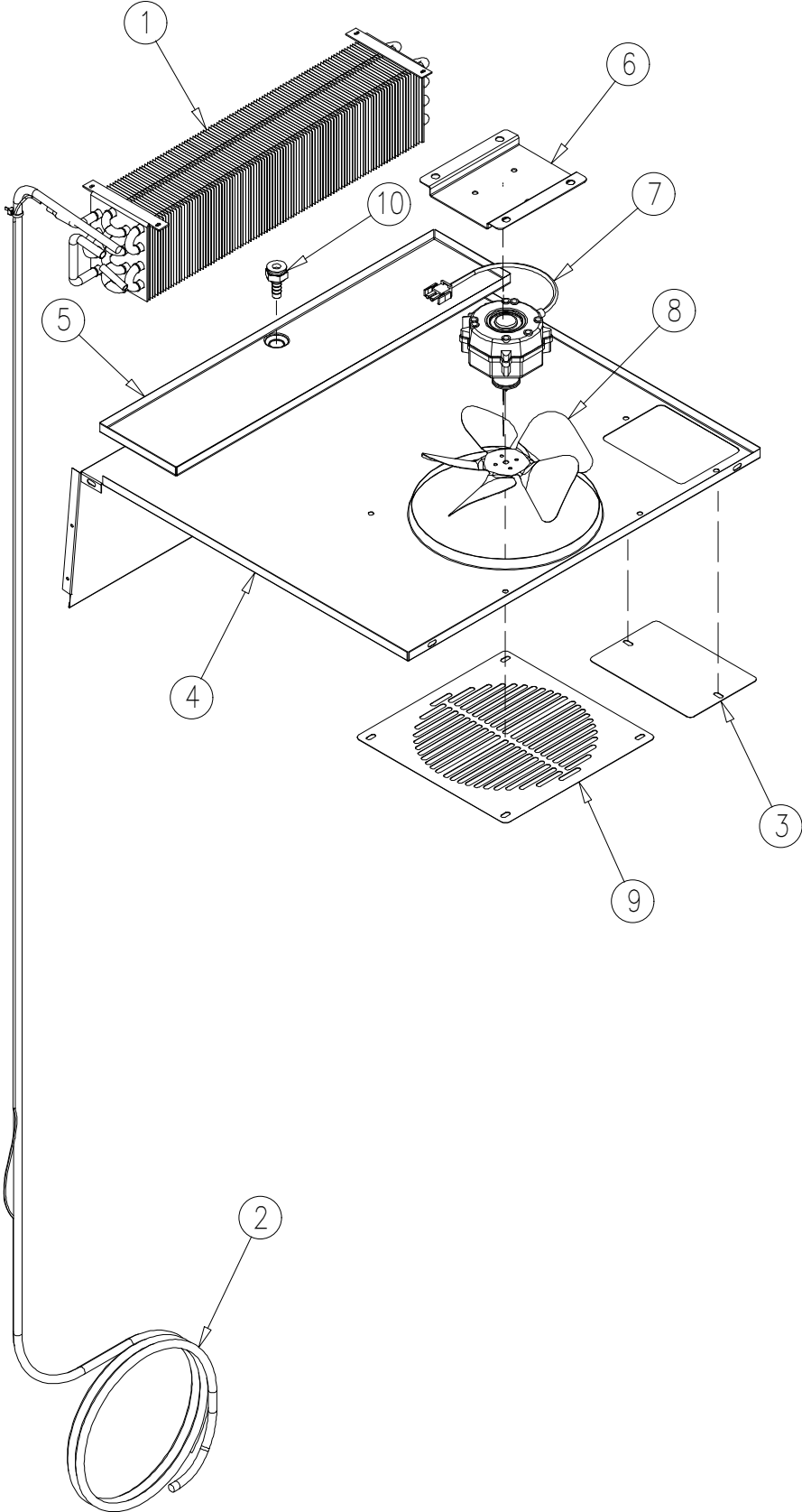


MAIN ASSEMBLY

<i>Item No.</i>	<i>Description</i>	<i>Part No.</i>	<i>Quantity per cooler</i>
1	EVAPORATOR ASSEMBLY	OT-EV-0200	1
2	CONDENSING UNIT ASSEMBLY	OT-UN-0431	1
3	RIGHT DOOR ASSEMBLY	OT-PTA-0241-R-836*	1
4	HEADER SIGN	OT-RT-0217	1
5	PILASTER 48"	PI-5	4
6	FLAT SHELF	SH-0427-HD-FE-GR	3
7	SHELF CLIPS	CL-51-SS-E	12
8	FRONT GRILL	OT-CM-0285	1
9	CONTROL MODULE (XR07CH)	CT-69-DI-348	1
10	BACK GRILL	SH-0619-G-GR*	1
11	DOOR SWITCH	EL-306	1
12	LOCK AND KEY SET	HA-471-G-K	1
13	PRESSURE RELIEF VALVE	VA-110*	1
14	BACK NON-LOCKING CASTER	CA-4	2
15	FRONT LOCKING CASTER	CA-4-BR	2

*Parts Change With Serial Number Break						
ITEM No.	Description	Inter-changeable	Previous Component	Hoshizaki Last Serial Number and Earlier	Current Component	Hoshizaki First Serial Number and Later
3	RIGHT DOOR ASSEMBLY	YES	OT-PTA-0241-R	K-00269(E)	OT-PTA-0241-R-836	L-00146(C)
10	BACK GRILL	YES	SH-0561-G-GR	N-00178(E)	SH-0619-G-GR	N-00001(J)
13	PRESSURE RELIEF VALVE	NO	VA-103	L-00512(J)	VA-110	L-00141(L)

EVAPORATOR ASSEMBLY



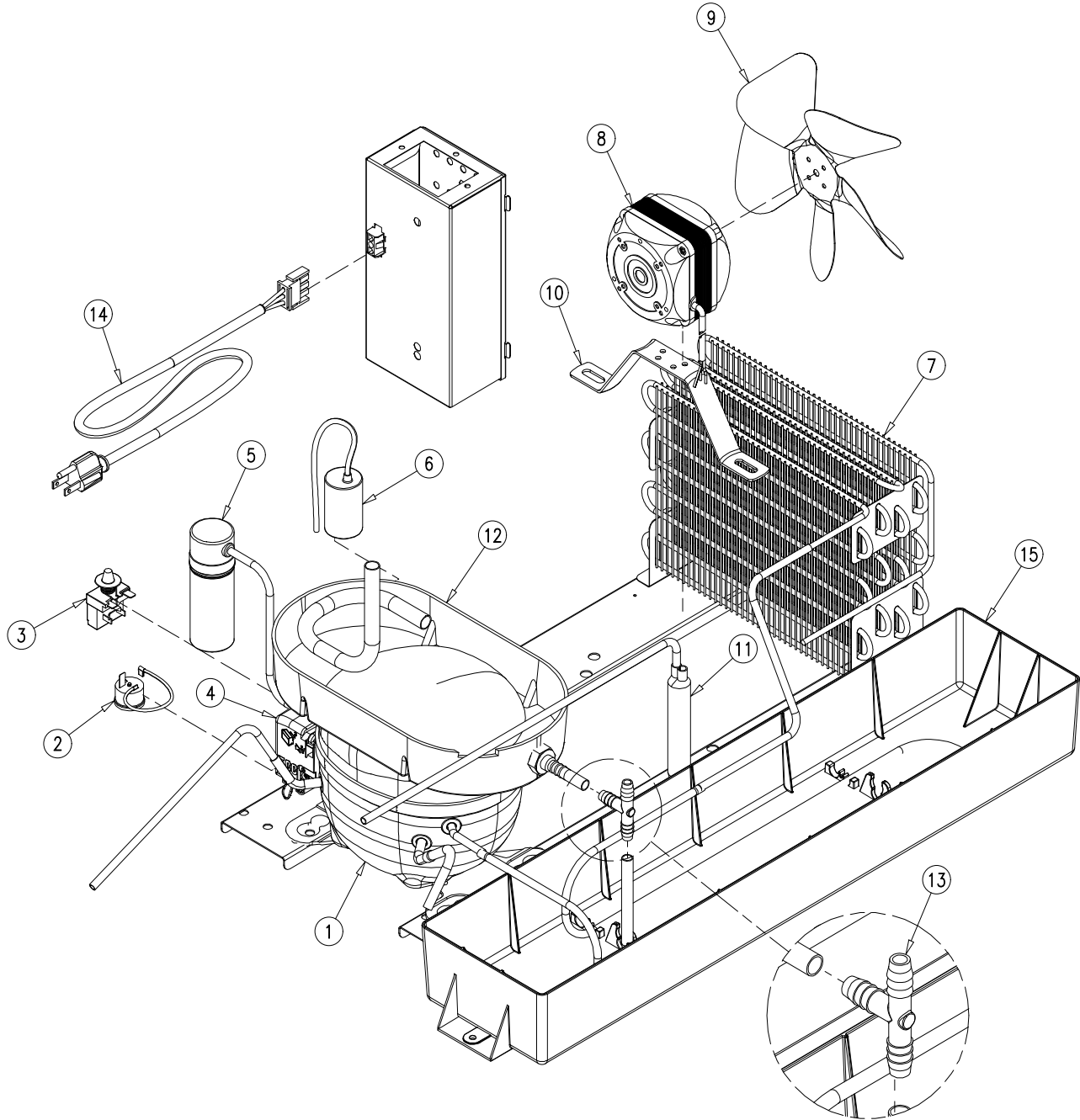
EVAPORATOR ASSEMBLY

<i>Item No.</i>	<i>Description</i>	<i>Part No.</i>	<i>Quantity per cooler</i>
1	EVAPORATOR	CO-312-EC*	1
2	HEAT EXCHANGER	OT-TUB-1196	1
3	SHROUD COVER	OT-10442	1
4	SHROUD	OT-16253	1
5	EVAPORATOR DRAIN PAN	OT-16248	1
6	EVAPORATOR FAN MOTOR BRACKET	OT-16776	1
7	EVAPORATOR FAN MOTOR	OT-FA-1-EBM-0396	1
8	EVAPORATOR FAN BLADE	FA-2-SW*	1
9	FAN GUARD	OT-2395	1
10	DRAIN FITTING	DR-1-P	1

***Parts Change With Serial Number Break**

ITEM No.	Description	Interchangeable	Previous Component	Hoshizaki Last Serial Number and Earlier	Current Component	Hoshizaki First Serial Number and Later
1	EVAPORATOR	YES	CO-312	M-00562(F)	CO-312-EC	N-00292(B)
8	EVAPORATOR FAN BLADE	YES	FA-2-EBM	L-00282(H)	FA-2-SW	L-01356(H)

CONDENSING UNIT ASSEMBLY



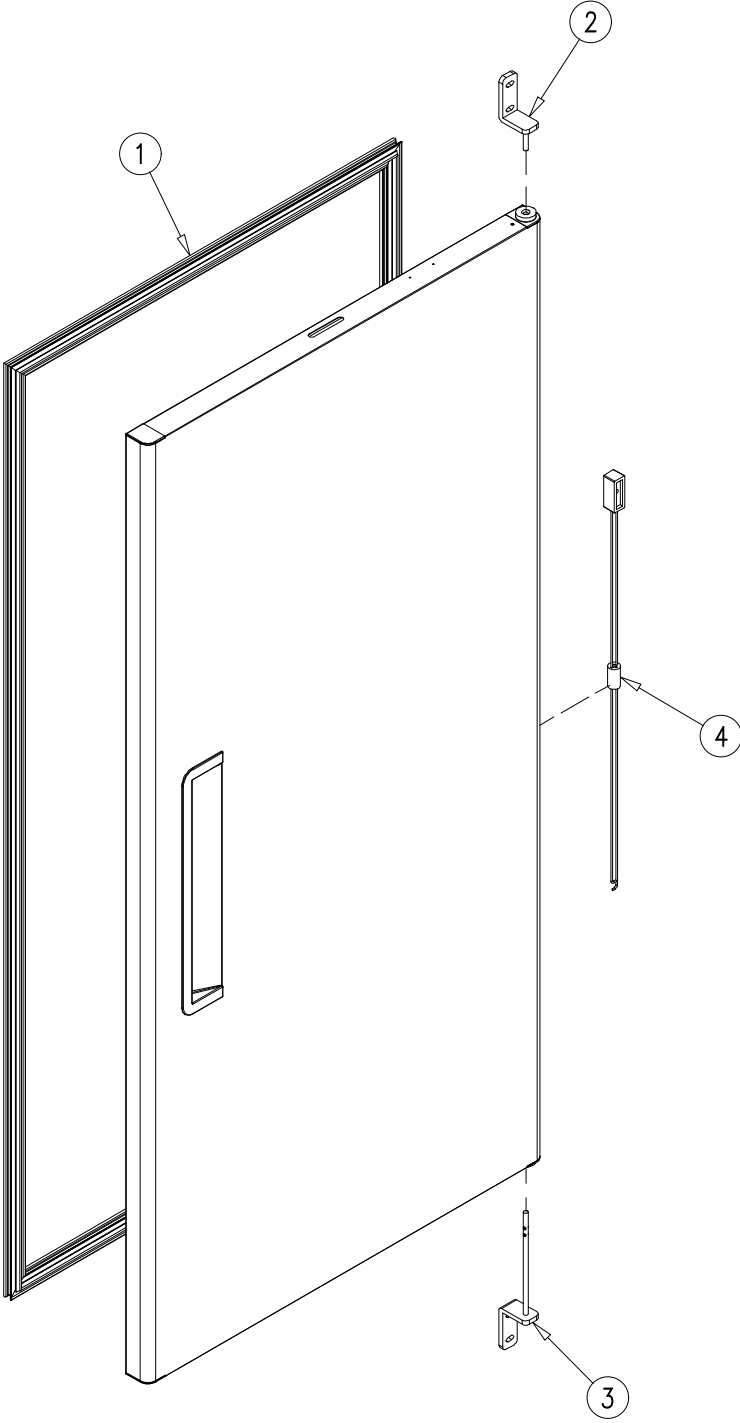
CONDENSING UNIT ASSEMBLY

<i>Item No.</i>	<i>Description</i>	<i>Part No.</i>	<i>Quantity per cooler</i>
1	COMPRESSOR (1/4HP 115-127V/60HZ R-290)	NUT55LRB	1
2	EXTERNAL PROTECTOR (T1086)	EL-2138	1
3	PTC RELAY (2014 149)	EL-2139	1
4	ELECTRICAL BOX	EL-2140	1
5	START CAPACITOR (250μF 160V)	CAP-250-160	1
6	RUN CAPACITOR (15μF 250V)	CAP-15-250	1
7	CONDENSER	CO-452-L*	1
8	CONDENSER FAN MOTOR	OT-FA-1-EBM-0396	1
9	CONDENSER FAN BLADE	FA-2-SW*	1
10	CONDENSER FAN MOTOR BRACKET	FA-39	1
11	DRIER	DR-31	1
12	DRAIN PAN	OT-RP-0244-DP-7*	1
13	TEE	TEE-15-G	1
14	POWER CORD (9 ft)	EL-1260-9*	1
15	OVERFLOW DRAIN PAN	OT-IN-0032*	1

*Parts Change With Serial Number Break

ITEM No.	Description	Inter-changeable	Previous Component	Hoshizaki Last Serial Number and Earlier	Current Component	Hoshizaki First Serial Number and Later
7	CONDENSER	YES	CO-452	M-00562(F)	CO-452-L	N-00292(B)
9	CONDENSER FAN BLADE	YES	FA-2-EBM	L-00282(H)	FA-2-SW	L-01356(H)
12	DRAIN PAN	YES	DP-7	K-00480(E)	OT-RP-0244-DP-7	L-00146(C)
14	POWER CORD	YES	OT-EL-1265-9-4784	N-00178(E)	EL-1260-9	N-00001(J)
15	OVERFLOW DRAIN PAN	NO	OT-TF-1191	N-00178(E)	OT-IN-0032	N-00001(J)

DOOR ASSEMBLY



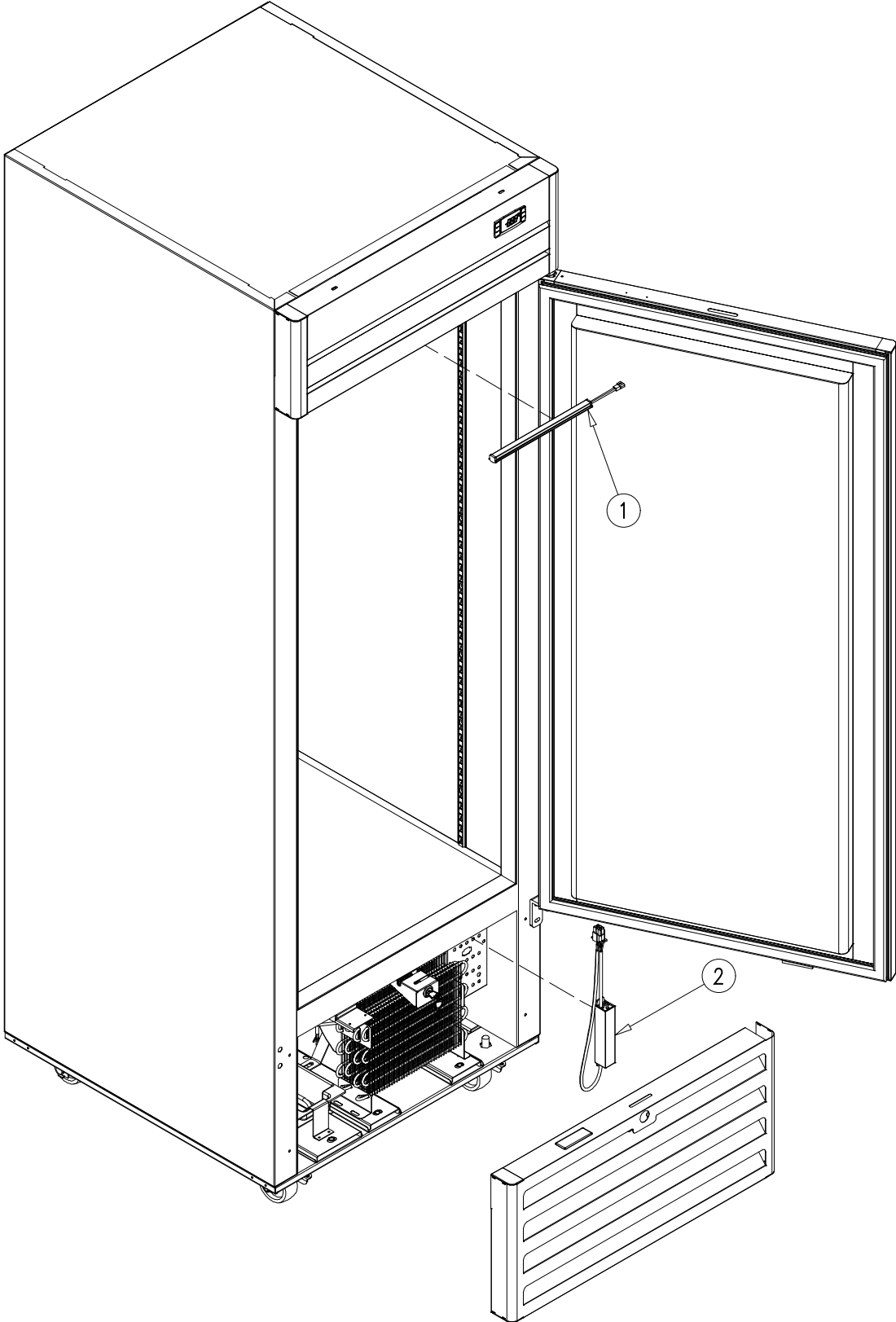
DOOR ASSEMBLY

<i>Item No.</i>	<i>Description</i>	<i>Part No.</i>	<i>Quantity per cooler</i>
1	MAGNETIC GASKET	OT-GA-500-PTA-0241*	1
2	UPPER HINGE ASSEMBLY	HA-535-R-K*	1
3	LOWER HINGE ASSEMBLY	HA-522-R-K*	1
4	TORSION MECHANISM	HA-479	1

*Parts Change With Serial Number Break

ITEM No.	Description	Inter-changeable	Previous Component	Hoshizaki Last Serial Number and Earlier	Current Component	Hoshizaki First Serial Number and Later
1	MAGNETIC GASKET	YES	OT-GA-400-PTA-0241	L-00192(C)	OT-GA-500-PTA-0241	L-00270(G)
2	UPPER HINGE ASSEMBLY	YES	HA-647-R-K	L-00192(C)	HA-535-R-K	L-00270(G)
3	LOWER HINGE ASSEMBLY	YES	HA-646-R-K	L-00192(C)	HA-522-R-K	L-00270(G)

LIGHTING SYSTEM



LIGHTING SYSTEM

<i>Item No.</i>	<i>Description</i>	<i>Part No.</i>	<i>Quantity per cooler</i>
1	LED LAMP STRIP (9 3/4")	EL-145	1
2	LED DRIVER (1.25 Amp.)	OT-EL-151-T	1