



# HOSHIZAKI

## Parts Manual

## Direct Draw Equipment

### Models

DD24

DD59

DD69

DD80

DD95

DD24 S

DD59 S

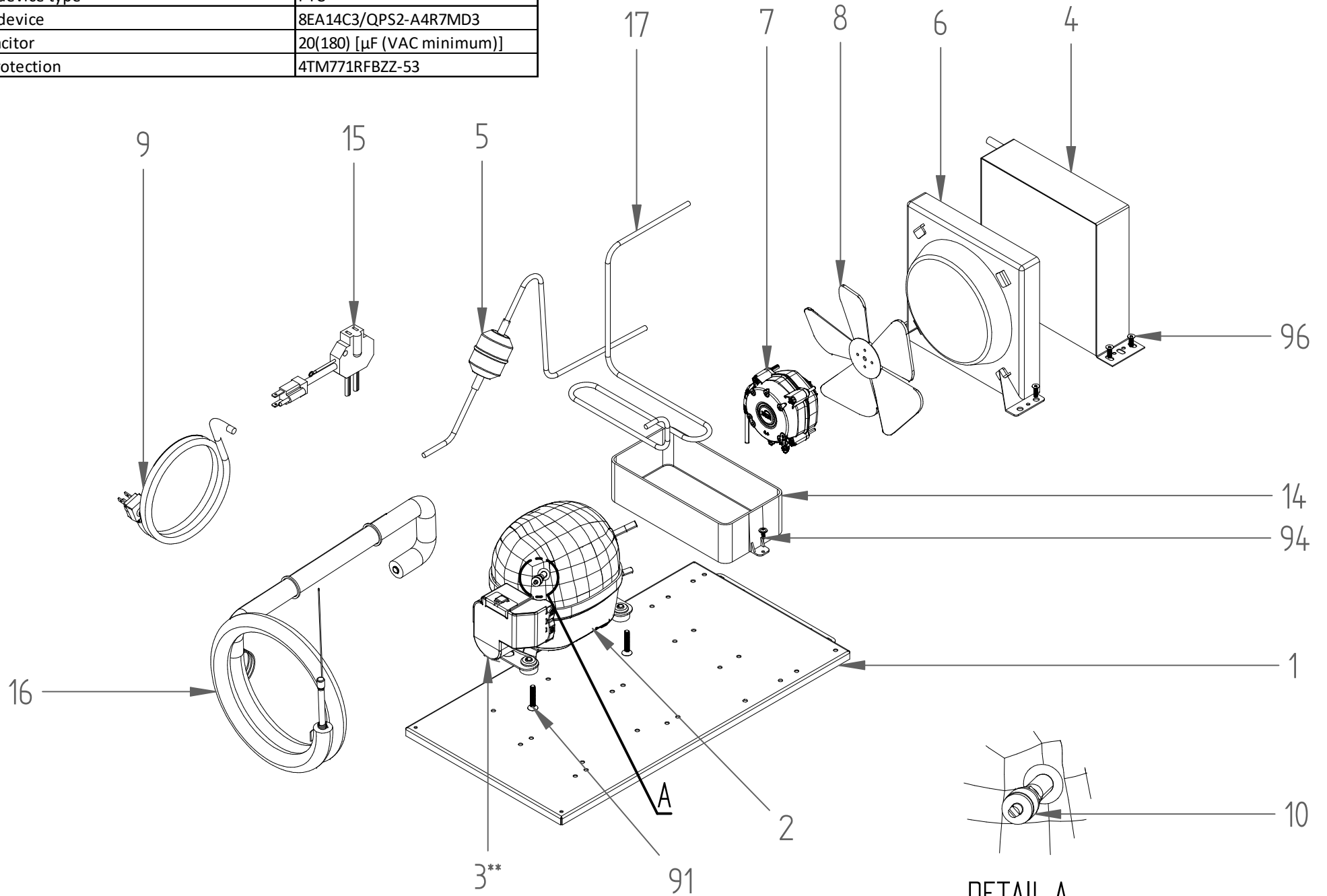
DD69 S

DD80 S

DD95 S

### 3\*\* STAR KIT

Compressor used in DD 59-95	EMC3130U (Part No. 12228006)
Nominal Voltage/Frequency/Number of Phases	115-127V 60Hz 1~ (Single phase)
Starting device type	PTC
Starting device	8EA14C3/QPS2-A4R7MD3
Run capacitor	20(180) [ $\mu$ F (VAC minimum)]
Motor protection	4TM771RFBZZ-53

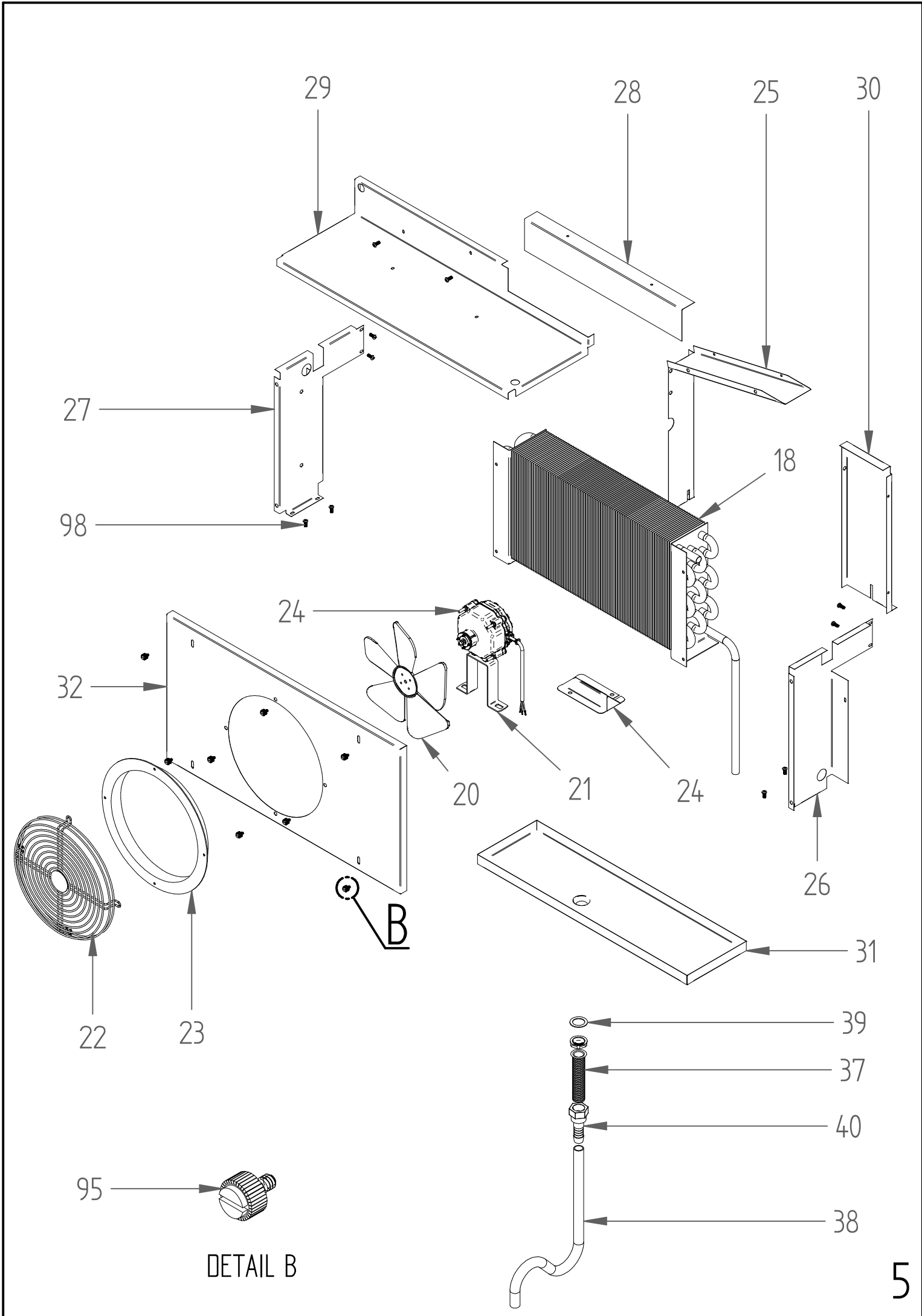


DETAIL A



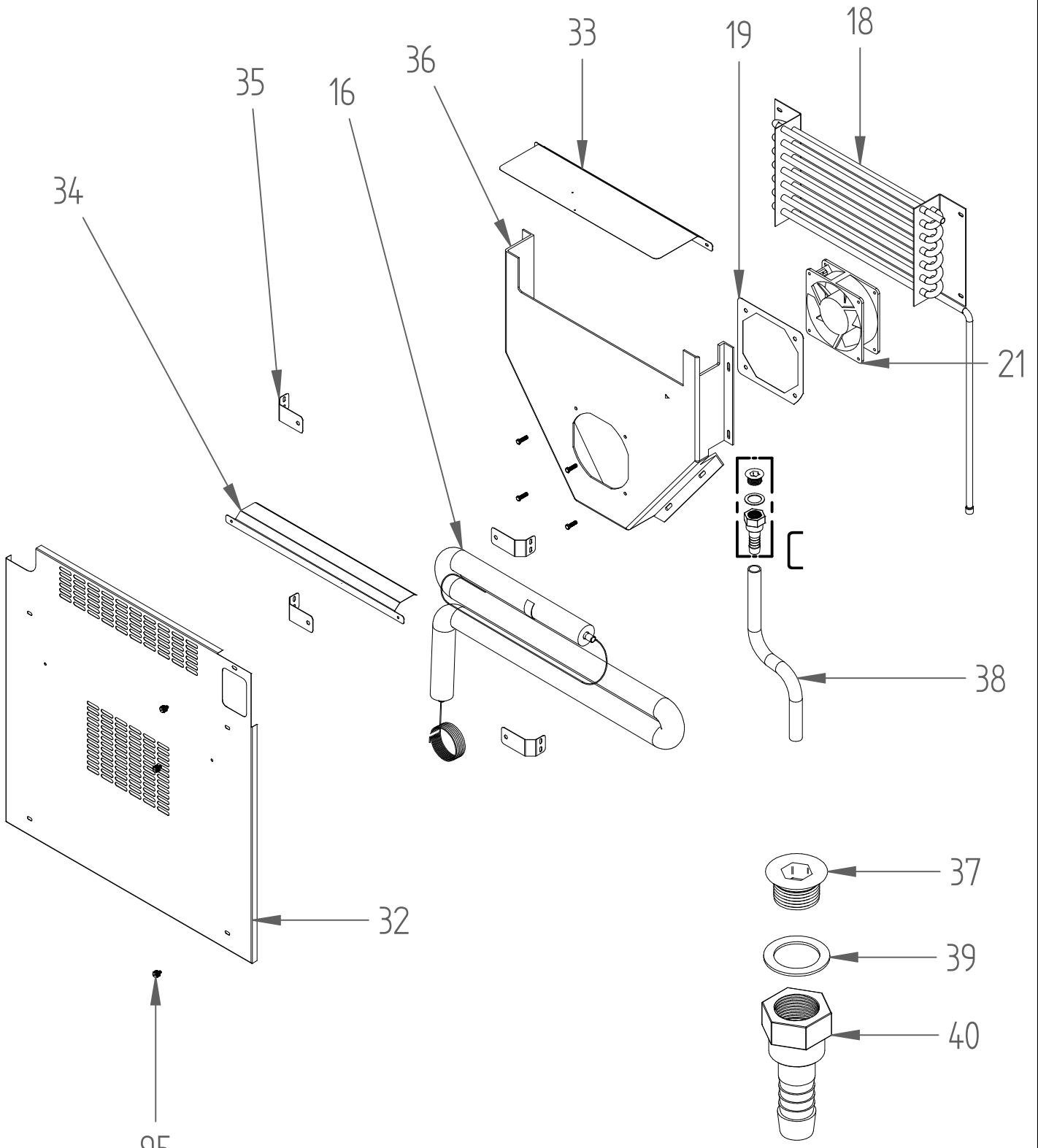
ZONE		CONDENSING UNIT			DRAWING					2-3						
ITEM	REFERENCE	DENOMINATION						S					RECOMENDED	ELIMINATED	INTRODUCED	NOTES
			DD 24	DD 59	DD 69	DD 80	DD 95	DD 24 S	DD 59 S	DD 69 S	DD 80 S	DD 95 S				

CONDENSING UNIT																
1	12206582	DECK	1					1								
	12195862	DECK		1	1	1	1		1	1	1	1				
2	12257496	COMPRESSOR	1					1						X		
	12257407	COMPRESSOR		1	1	1	1		1	1	1	1		X		
3	*	START KIT	1					1								
	**	START KIT		1	1	1	1		1	1	1	1				
4	12190813	CONDENSER	1					1								
	12190812	CONDENSER		1	1	1	1		1	1	1	1				
5	12188004	FILTER	1	1	1	1	1	1	1	1	1	1				
6	12189983	FAN SUPPORT	1	1	1	1	1	1	1	1	1	1				
7	12190510	FAN MOTOR	1	1	1	1	1	1	1	1	1	1		X		
8	12190510	FAN BLADE	1	1	1	1	1	1	1	1	1	1				
9	12190608	POWER CORD	1	1	1	1	1	1	1	1	1	1				
10	12037369	SCHRADER VALVE	1	1	1	1	1	1	1	1	1	1				
11	12195375	EVAPORATION TRAY BAR	1					1								
12	12195717	SUPPORT TRAY	1					1								
13	13002255	HEATSINK PAPER	1					1								
14	12189560	AUTOMATIC EVAPORATION TRAY		1	1	1	1		1	1	1	1				
15	12190610	POWER CORD(SPIDER HUB)	1	1	1	1	1	1	1	1	1	1				
16	12247985	HEAT EXCHANGER	1					1								
	12239998	HEAT EXCHANGER		1	1	1	1		1	1	1	1				
17	12200322	DISCHARGE LINE		1	1	1	1		1	1	1	1				



DETAIL B

# MODEL 24"



DETAIL C

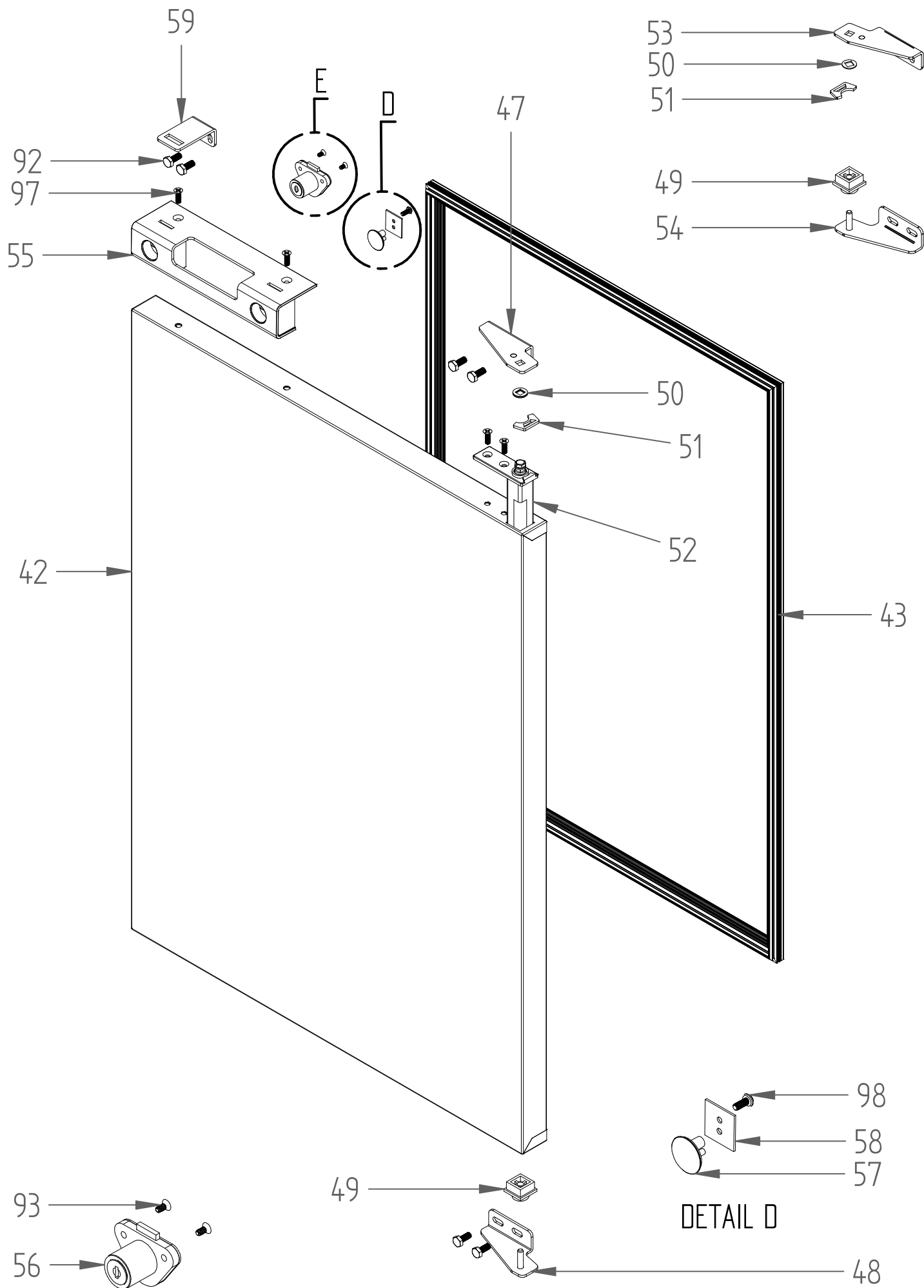
ITEM	REFERENCE	DENOMINATION						S					RECOMENDED	ELIMINATED	INTRODUCED	NOTES
			DD 24	DD 59	DD 69	DD 80	DD 95	DD 24 S	DD 59 S	DD 69 S	DD 80 S	DD 95 S				

**EVAPORATION UNITS**

EVAPORATION UNIT																	
18	12190775	EVAPORATION COIL	1					1									
	12190777	EVAPORATION COIL		1	1	1	1		1	1	1	1					
19	12194105	FAN SUPPORT	1					1									
	12191294	FAN SUPPORT		1	1	1	1		1	1	1	1					
20	12190018	FAN BLADE	1	1	1	1	1	1	1	1	1	1					
21	12191476	FAN MOTOR	1					1						X			
	12190510	FAN MOTOR	1	1	1	1	1	1	1	1	1	1		X			
22	12190728	FAN GRILL		1	1	1	1		1	1	1	1					
23	12190068	FAN SHROUD		1	1	1	1		1	1	1	1					
24	12188080	PROBE NTC030HP00 CAREL	1	1	1	1	1	1	1	1	1	1		X			
25	12194245	ANGULAR DEFLECTOR		1	1	1	1		1	1	1	1					
26	12194246	RIGHT DEFLECTOR		1	1	1	1		1	1	1	1					
27	12194247	LEFT DEFLECTOR		1	1	1	1		1	1	1	1					
28	12194250	BACK DEFLECTOR		1	1	1	1		1	1	1	1					
29	12194249	TOP EVAPORATOR PANEL		1	1	1	1		1	1	1	1					
30	12194248	BACK SUPPORT		1	1	1	1		1	1	1	1					
31	12193839	EVAPORATION TRAY		1	1	1	1		1	1	1	1					
32	12206313	EVAPORATOR SHROUD		1	1	1	1		1	1	1	1					
	12194095	EVAPORATOR SHROUD	1					1									
33	12194096	EVAPORATOR DEFLECTOR	1					1									
34	12194097	FAN DEFLECTOR	1					1									
35	12194790	EVAPORATOR COVER BRACKET	4					4									
36	12190014	EVAPORATION TRAY	1					1									

**DRAIN**

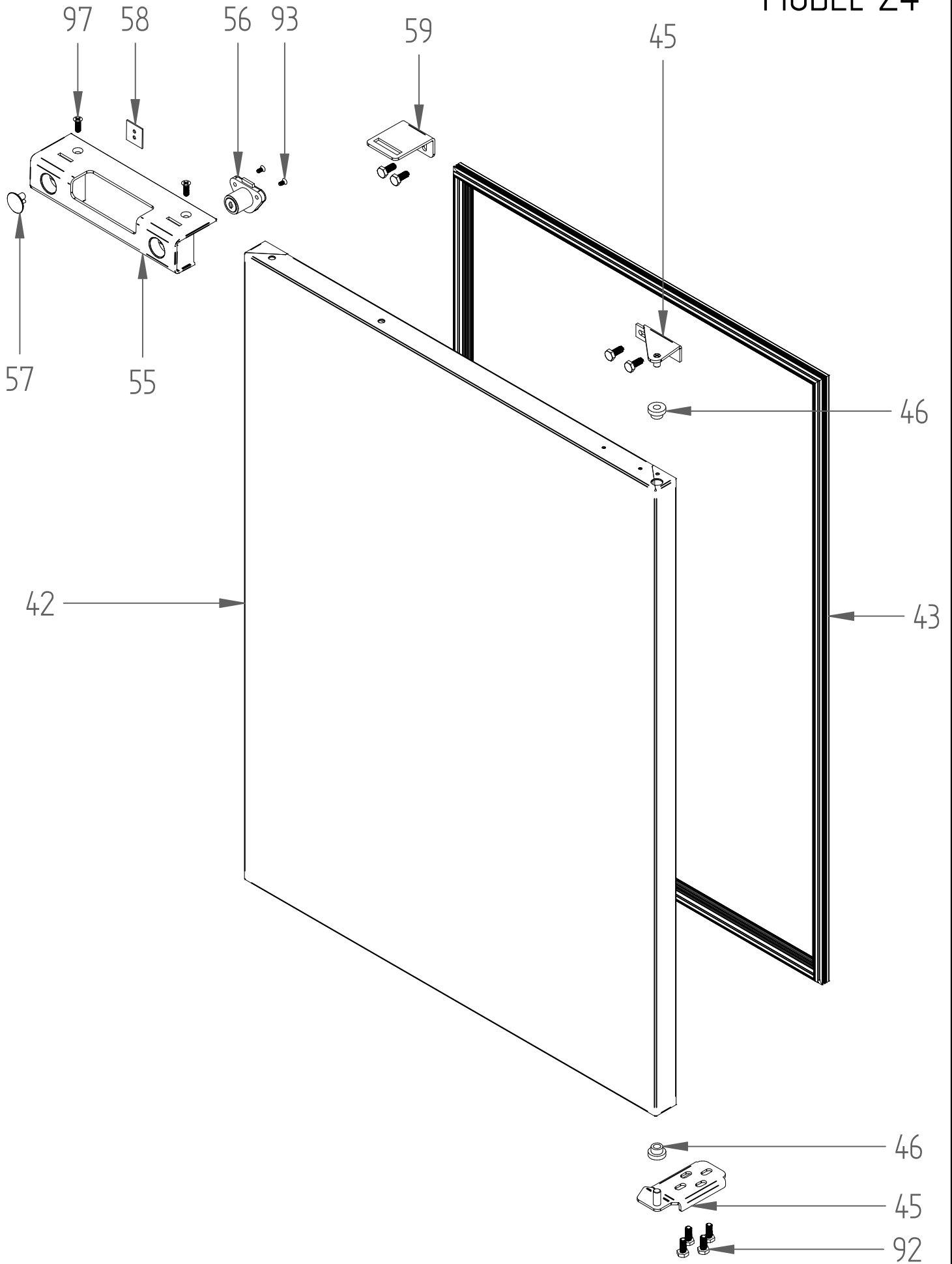
37	12190078	DRAIN	1					1									
	12191224	DRAIN	1	1	1	1	1	1	1	1	1	1					
38	12190472	DRAIN HOSE	0.75	2	2.1	2.2	2.4	0.8	2	2.1	2.2	2.4					
	12190467	DRAIN HOSE		1	1	1	1		1	1	1	1					
39	12189956	PLASTIC SEAL	2	1	1	1	1	2	1	1	1	1					
40	12190069	ADAPTER HOSE COUPLING	1	1	1	1	1	1	1	1	1	1					
41	12191224	DRAIN	1	1	1	1	1	1	1	1	1	1					



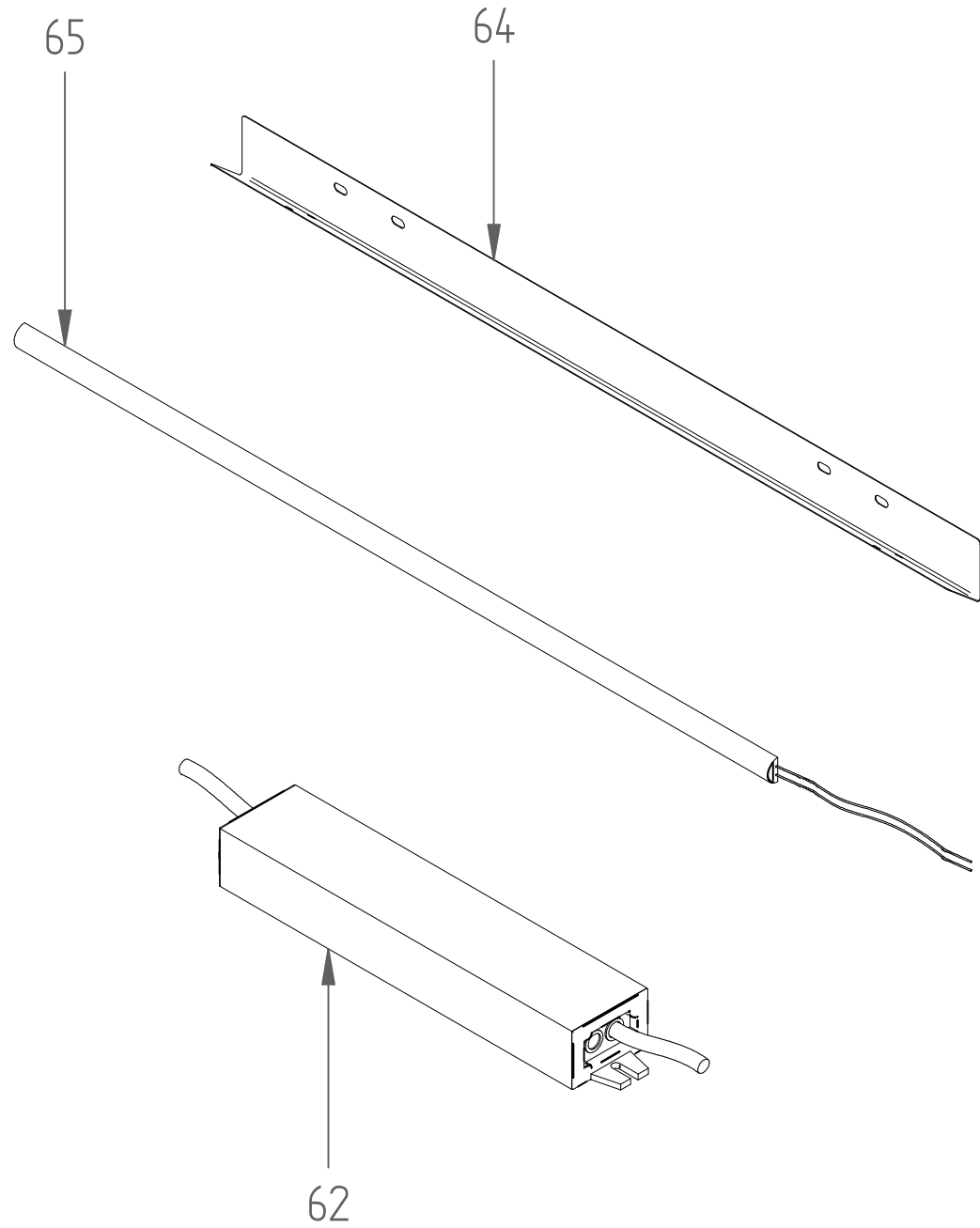
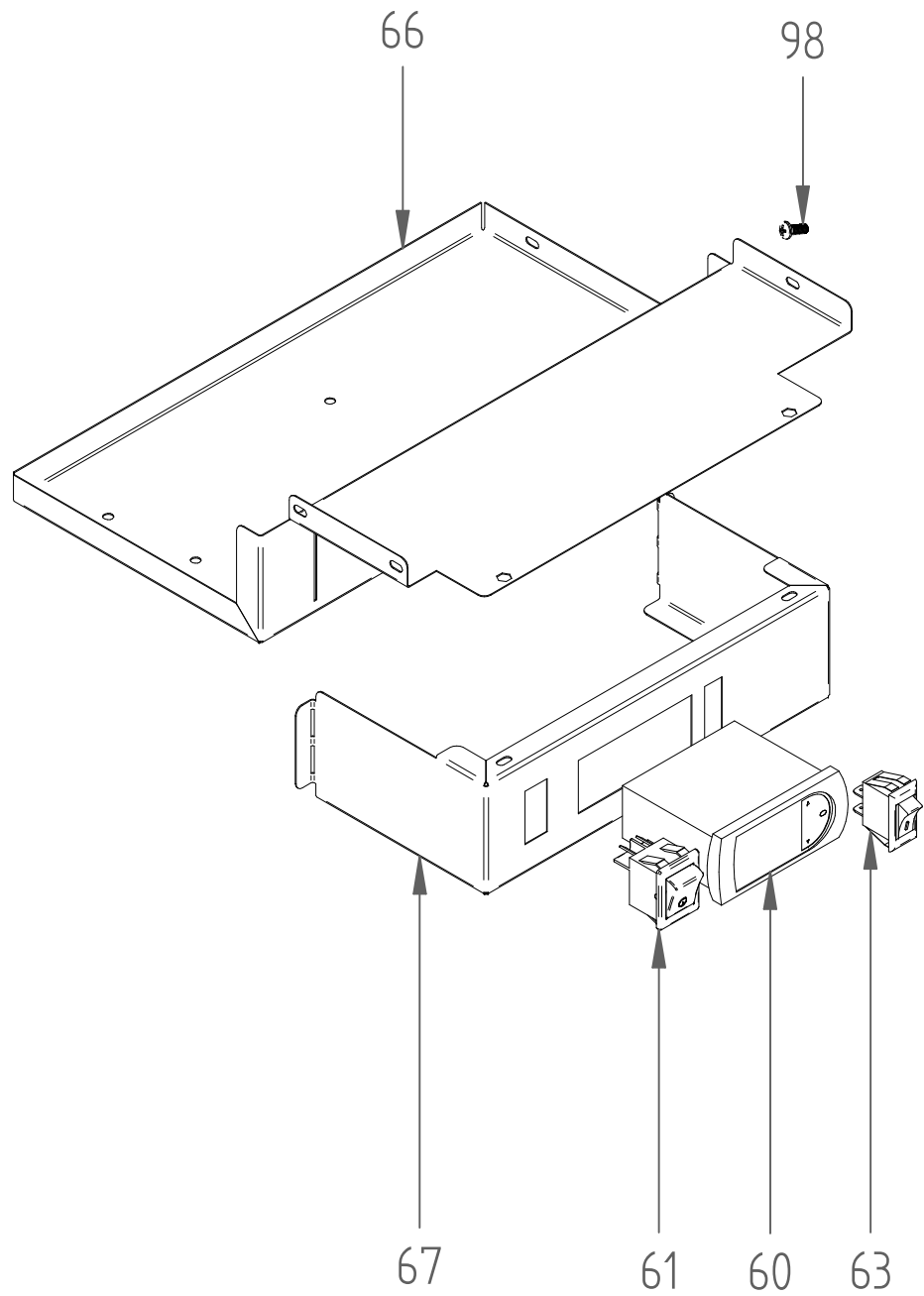
DETAIL E

DETAIL D

MODEL 24"

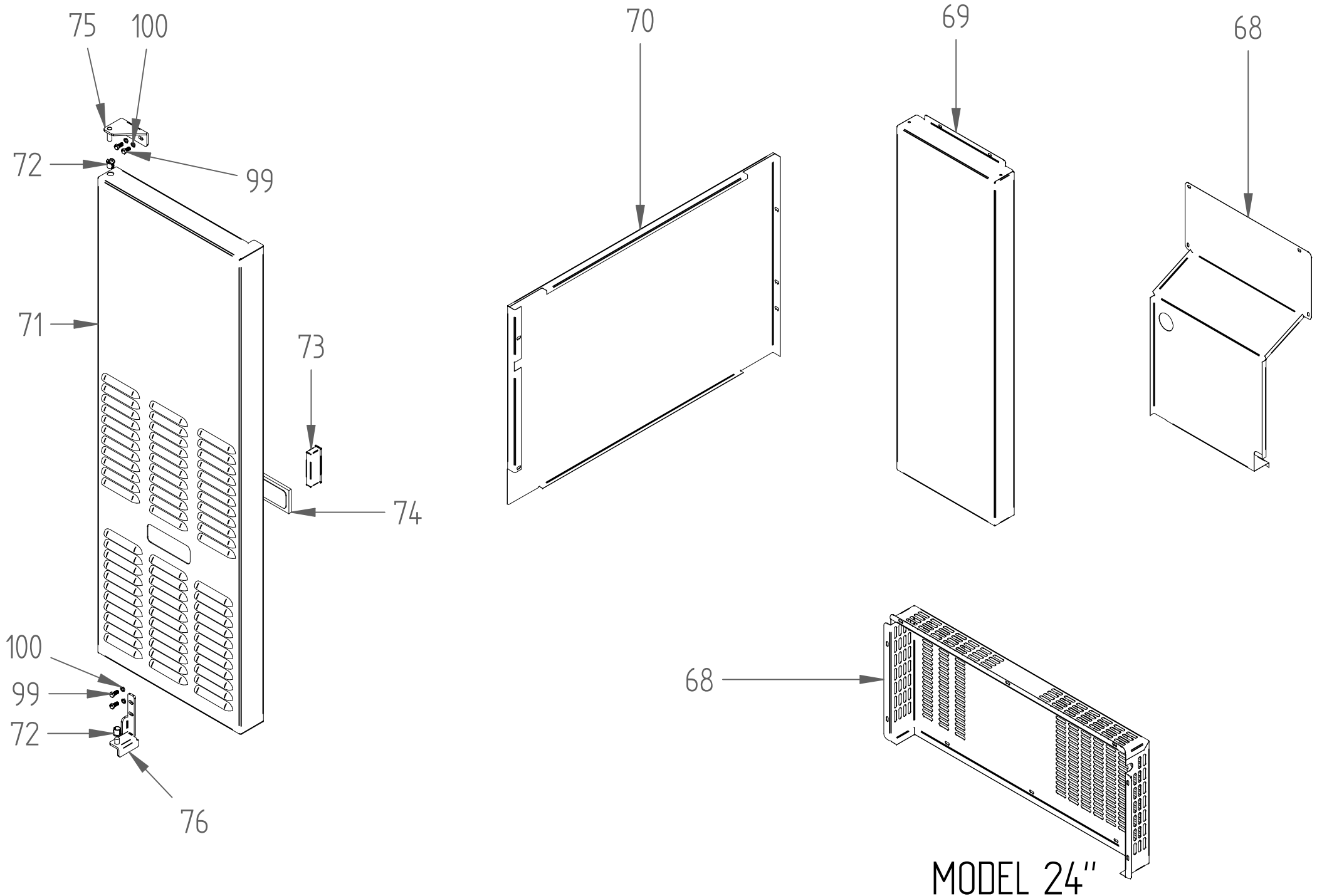


ZONE		DOORS & OTHERS			DRAWING					8-9							
ITEM	REFERENCE	DENOMINATION						S					RECOMMENDED	ELIMINATED	INTRODUCED	NOTES	
			DD 24	DD 59	DD 69	DD 80	DD 95	DD 24 S	DD 59 S	DD 69 S	DD 80 S	DD 95 S					
<b>DOORS &amp; OTHERS</b>																	
	12210323	DOOR	1														
	12210324	DOOR SS								1							
42	12201946	DOOR		2	2	2	3										
	12232946	DOOR SS								2	2	2	3				
	12210337	DOOR 78				1											
	12210339	DOOR 78 SS										1					
	12188100	GASKET	1							1					X		
43	12191258	GASKET		2	2	2	3			2	2	2	3		X		
	12191259	GASKET				1									X		
		<b>HINGE KIT</b>													X		
44	12190869	TOP HINGE LEFT	1							1							
45	12194993	BOTTOM HINGE	1							1							
46	12190037	NYLON BUSHING	2							2							
		<b>RIGHT HINGE KIT</b>													X		
47	12191308	TOP RIGHT HINGE		1	1	2	2			1	1	2	2				
48	12191306	BOTTOM RIGHT HINGE		1	1	2	2			1	1	2	2				
49	12190016	SPACER		1	1	2	2			1	1	2	2				
50	12195118	WHASER CARTRIDGE		1	1	2	2			1	1	2	2				
51	12195119	STOP HINGE		1	1	2	2			1	1	2	2				
52	12038130	CARTRIDGE		2	2	2	3			2	2	2	3				
		<b>LEFT HINGE KIT</b>													X		
53	12191309	TOP LEFT HINGE		1	1	1	1			1	1	1	1				
54	12191307	BOTTOM LEFT HINGE		1	1	1	1			1	1	1	1				
49	12190016	SPACER		1	1	2	2			1	1	2	2				
50	12195118	WHASER CARTRIDGE		1	1	2	2			1	1	2	2				
51	12195119	STOP HINGE		1	1	2	2			1	1	2	2				
52	12038130	CARTRIDGE		2	2	2	3			2	2	2	3				
		<b>HANDLE KIT RIGHT/LEFT</b>													X		
55	12211931	RIGHT/LEFT HANDLE	1	2	2	3	3			1	2	2	2	3			
56	12190887	LOCK	1	2	2	3	3			1	2	2	2	3			
57	12211932	PLATE	1	2	2	3	3			1	2	2	2	3			
58	12195809	SUPPORT PLATE	1	2	2	3	3			1	2	2	2	3			
	12248350	LOCK STOP	1							1							
59	12195087	LOCK STOP		2	2	3	3			2	2	2	3				



<b>ZONE</b>	<b>CONTROLLER &amp; OTHER</b>	<b>DRAWING</b>	<b>11</b>	<b>DD 24_95 HC</b>
-------------	-------------------------------	----------------	-----------	--------------------

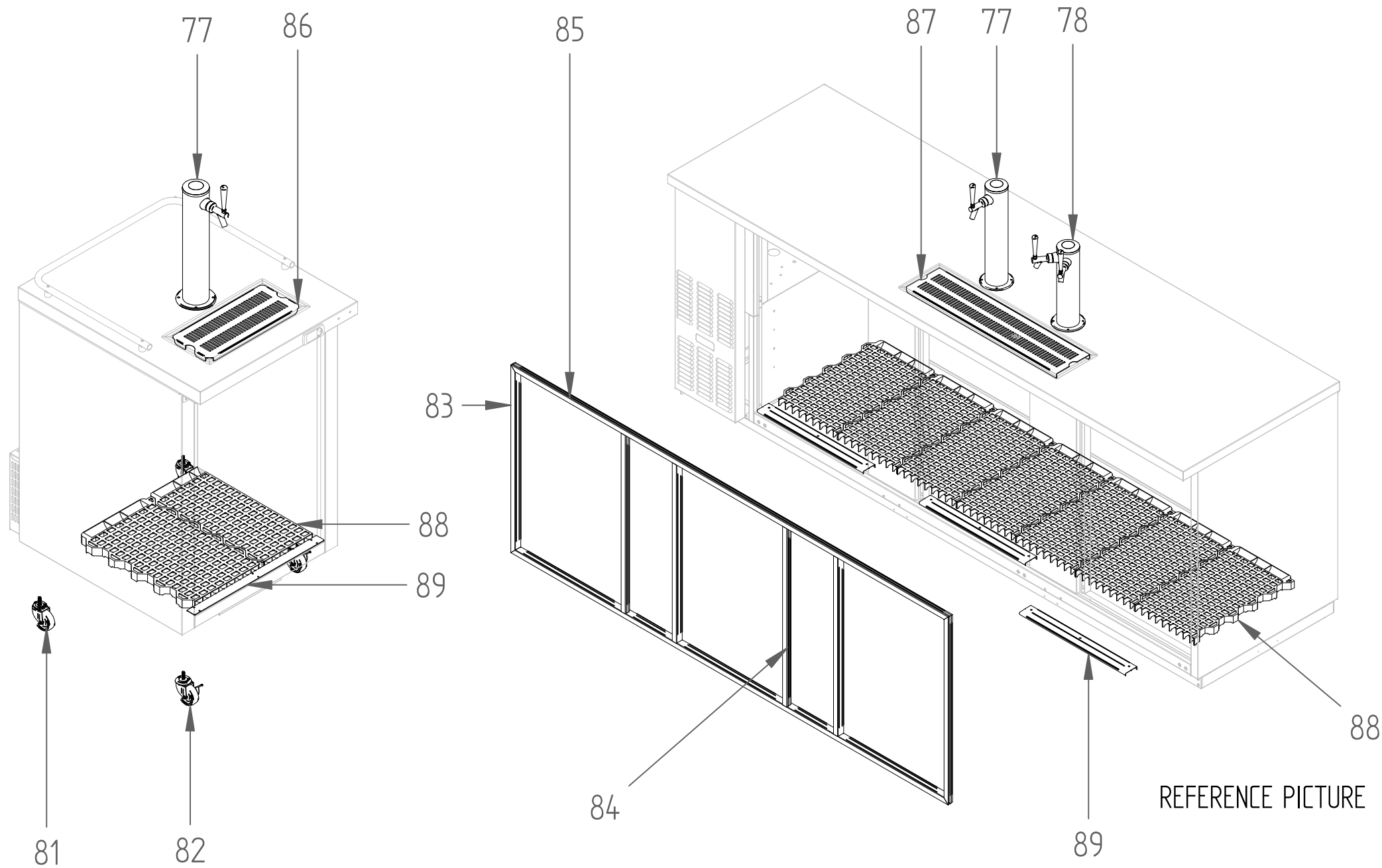
ITEM	REFERENCE	DENOMINATION						S					RECOMENDED	ELIMINATED	INTRODUCED	NOTES
			DD 24	DD 59	DD 69	DD 80	DD 95	DD 24 S	DD 59 S	DD 69 S	DD 80 S	DD 95 S				
<b>CONTROLLER &amp; OTHER</b>																
60	<a href="#">12188079</a>	CAREL CONTROLLER	1	1	1	1	1	1	1	1	1	1	X			
61	<a href="#">12190513</a>	ROCKER SWITCH 20 AMP		1	1	1	1			1	1	1	1			
62	<a href="#">12190580</a>	DRIVER LED		1	1	1	1			1	1	1	1			
63	12037353	LIGHT SWITCH		1	1	1	1			1	1	1	1			
64	<a href="#">12194279</a>	LAMP SUPPORT		1	1					1	1					
	<a href="#">12194278</a>	LAMP SUPPORT				1	1					1	1	X		
65	<a href="#">12190586</a>	LED LIGHT		1	1					1	1			X		
	<a href="#">12190587</a>	LED LIGHT				1	1					1	1			
66	<a href="#">12206592</a>	DEFLECTOR		1	1	1	1									
	<a href="#">12206625</a>	DEFLECTOR SS								1	1	1	1			
67	<a href="#">12206593</a>	CONTROLLER SUPPORT		1	1	1	1									
	<a href="#">12206624</a>	CONTROLLER SUPPORT SS								1	1	1	1			



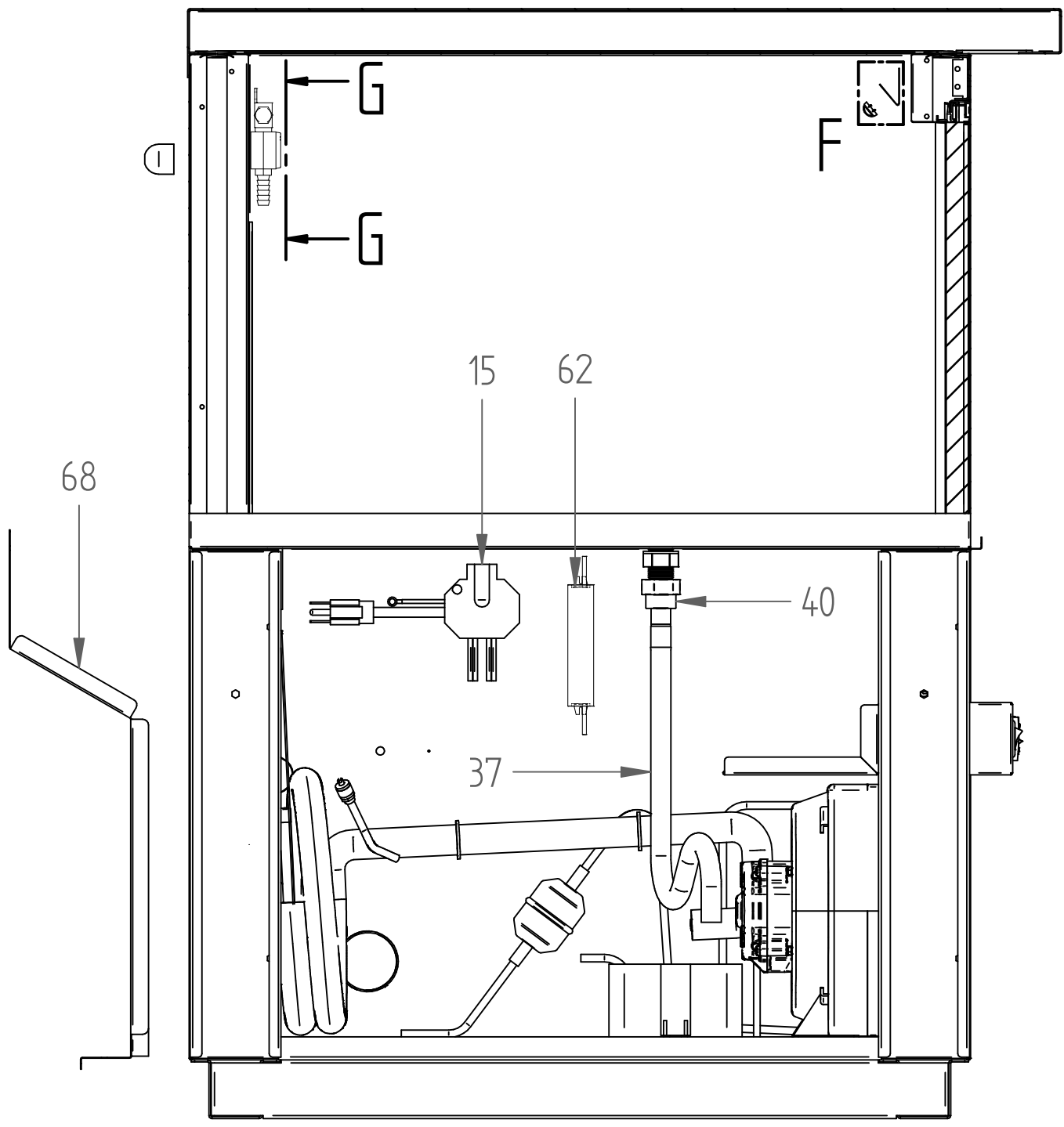
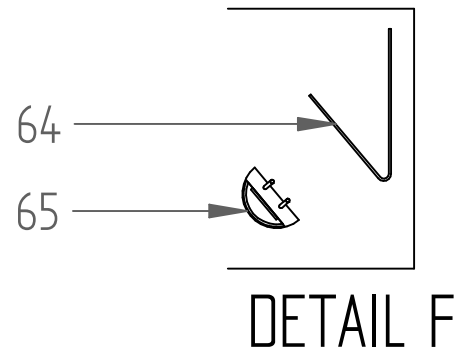
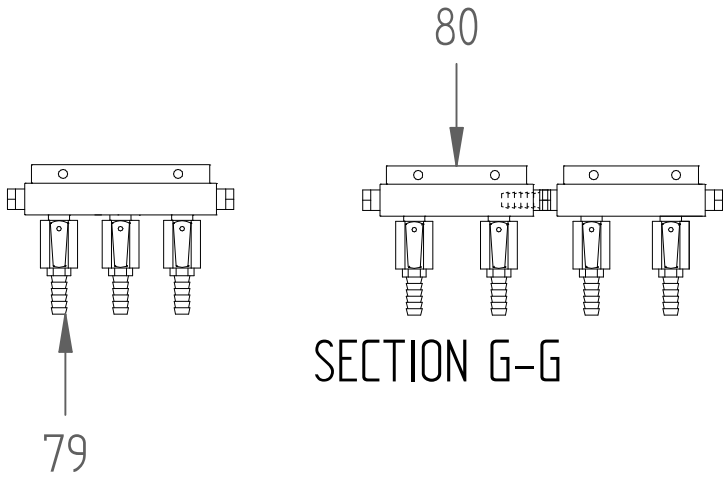
MODEL 24"

ITEM	REFERENCE	DENOMINATION						S					RECOMENDED	ELIMINATED	INTRODUCED	NOTES
			DD 24	DD 59	DD 69	DD 80	DD 95	DD 24 S	DD 59 S	DD 69 S	DD 80 S	DD 95 S				

PANELS																	
68	<a href="#">12195735</a>	BACK PANEL	1														
	<a href="#">12206169</a>	BACK PANEL SS						1									
	<a href="#">12195836</a>	BACK PANEL		1	1	1	1										
	<a href="#">12227157</a>	BACK PANEL SS							1	1	1	1					
	<a href="#">12206614</a>	DOORS PANEL			1												
69	<a href="#">12207881</a>	DOORS PANEL SS								1							
	<a href="#">12206609</a>	DOORS PANEL					2										
	<a href="#">12207876</a>	DOORS PANEL SS										2					
70	<a href="#">12206608</a>	SIDE PANEL C.U.		1	1	1	1										
	<a href="#">12206184</a>	SIDE PANEL C.U. SS							1	1	1	1					
71	12208995	FRONT PANEL		1	1	1	1										
	12222036	FRONT PANEL SS							1	1	1	1					
72	<a href="#">12213300</a>	SNAP BUSHING		2	2	2	2		2	2	2	2					
73	<a href="#">12190968</a>	MAGNET DOOR		1	1	1	1		1	1	1	1					
74	<a href="#">12191187</a>	ACRYLIC LENS		1	1	1	1		1	1	1	1					
75	<a href="#">12216175</a>	TOP HINGE		1	1	1	1		1	1	1	1					
76	<a href="#">12216178</a>	BOTTOM HINGE		1	1	1	1		1	1	1	1					



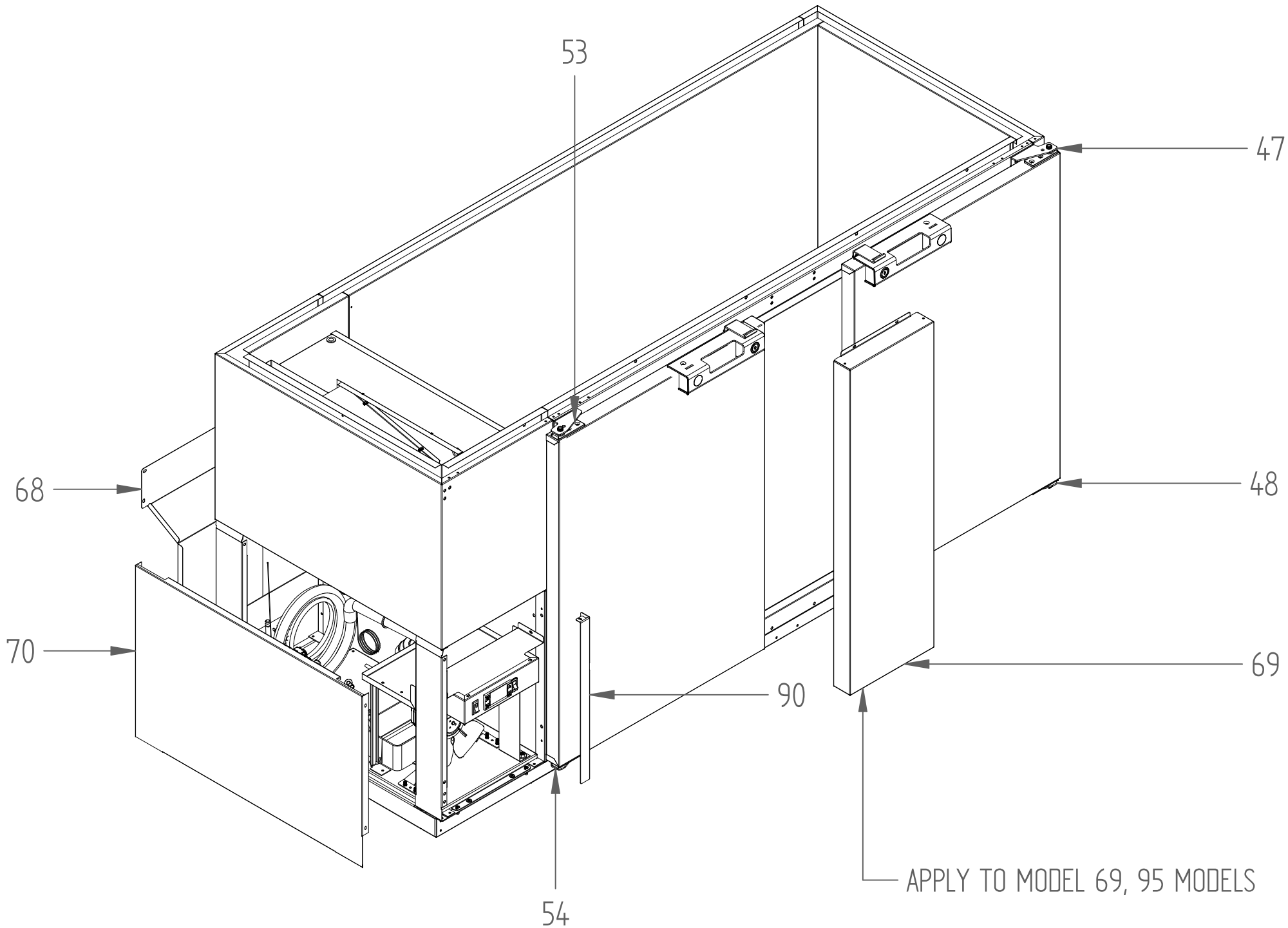
REFERENCE PICTURE



ZONE		TOWERS & OTHERS / PLASTIC FRAME			DRAWING					15-16		DD 24_95 HC				
ITEM	REFERENCE	DENOMINATION						S					RECOMENDED	ELIMINATED	INTRODUCED	NOTES
			DD 24	DD 59	DD 69	DD 80	DD 95	DD 24 S	DD 59 S	DD 69 S	DD 80 S	DD 95 S				

TOWERS & OTHERS																
77	12191240	1 WAY TOWER	1	1	1				1	1	1					
78	12191241	2 WAYS TOWER		1	1	2	2		1	1	2	2				
79	12191242	AIR DISTRIBUTOR (3 WAYS)		1	1				1	1						
80	12191243	AIR DISTRIBUTOR (4 WAYS)				1	1				1	1				
81	12190919	CASTER 2.5" WO/BRAKE	2						2							
82	12190920	CASTER 2.5" W/BRAKE	2						2							

PLASTIC FRAME																
83	12200483	SIDE STRIP		2					2							
	12200484	SIDE STRIP			2					2						
	12200485	SIDE STRIP				2					2					
	12200486	SIDE STRIP					2					2				
84	12200487	CENTRAL STRIP		2	2	4	4		2	2	4	4				
85	12200510	TOP STRIP		2	2	2	2		2	2	2	2				
86	12193443	DRAIN GRID	1						1							
87	12193792	DRAIN GRID		1	1	1	1		1	1	1	1				
88	12191714	KEG CUSHION	1						1							
	12191715	KEG CUSHION	1						1							
	12191710	KEG CUSHION		3	4	5	7		3	4	5	7				
	12191711	KEG CUSHION		1					1							
	12191712	KEG CUSHION			1	1				1	1					
89	12191292	FRAME DOOR PROTECTION	1						1							
	12193518	FRAME DOOR PROTECTION														



ZONE		OTHERS/OTROS	DRAWING										RECOMENDED	ELIMINATED	INTRODUCED	NOTES	
ITEM	REFERENCE	DENOMINATION	OTHERS/OTROS					S					RECOMENDED	ELIMINATED	INTRODUCED	NOTES	
			DD 24	DD 59	DD 69	DD 80	DD 95	DD 24 S	DD 59 S	DD 69 S	DD 80 S	DD 95 S					
90	<a href="#">12190891</a>	RIGHT LIGHT TRIM		1	1	1	1										
	<a href="#">12206442</a>	RIGHT LIGHT TRIM SS							1	1	1	1					
91	<a href="#">12191519</a>	COMPRESSOR SCREW MOUNT	4	4	4	4	4	4	4	4	4	4					
92	<a href="#">12189583</a>	SCREW M6x16	6	14	14	20	20	6	14	14	20	20					
93	<a href="#">12191590</a>	SCREW FLAT HEAD M4 X 10	2	4	4	6	6	2	4	4	6	6					
94	<a href="#">12191506</a>	SCREW DRILL 8X1/2"	4	4	4	4	4	4	4	4	4	4					
95	<a href="#">12189959</a>	MANUAL SCREW M4X12	5	10	10	10	10	5	10	10	10	10					
96	<a href="#">12191518</a>	SCREW ALLEN M6X16	6	6	6	6	6	6	6	6	6	6					
97	<a href="#">12191589</a>	SCREW FLAT HEAD 10-32 X 5/8"	2	12	12	18	18	2	12	12	18	18					
98	<a href="#">12189582</a>	SCREW M4x10 SS	16	16	16	16	16	16	16	16	16	16					
99	<a href="#">12191559</a>	SCREW M4x10 HEAD HEX SS	4	4	4	4	4	4	4	4	4	4					
100	<a href="#">12191540</a>	GROWER WASHER M4	4	4	4	4	4	4	4	4	4	4					

**HOSHIZAKI AMERICA, INC.**

---

618 Hwy. 74 South, Peachtree City, GA 30269 USA (P) 770.487.2331 (F) 770.487.3360 [hoshizakiamerica.com](http://hoshizakiamerica.com)