



HOSHIZAKI

Instruction Manual

Cubelet Icemaker/Dispenser

Models

DCM-27 IBAK(-OS)



hoshizakiamerica.com

Issued: 12-18-2024
Revised: 8-21-2025

⚠ WARNING

Only qualified service technicians should install and service the appliance. To obtain the name and phone number of your local Hoshizaki Certified Service Representative, visit www.hoshizakiamerica.com. No installation, operation, maintenance, or service should be undertaken until the technician has thoroughly read this Instruction Manual. No service should be undertaken until the technician has thoroughly read the service manual available at www.hoshizakiamerica.com. Likewise, the owner/manager should not proceed to operate the appliance until the installer has instructed them on its proper operation. Failure to install, operate, and maintain the appliance in accordance with this manual will adversely affect safety, performance, component life, and warranty coverage and may result in costly water damage. Proper installation is the responsibility of the installer. Product failure or property damage due to improper installation is not covered under warranty.

Hoshizaki provides this manual primarily to assist qualified service technicians in the installation, operation, maintenance, and service of the appliance.

Should the reader have any questions or concerns which have not been satisfactorily addressed, please call, send an e-mail message, or write to the Hoshizaki Technical Support Department for assistance.

Phone: 1-800-233-1940; (770) 487-2331

E-mail: tech-support@hoshizaki.com

HOSHIZAKI AMERICA, INC.

618 Highway 74 South
Peachtree City, GA 30269
Attn: Hoshizaki Technical Support Department

NOTE: To expedite assistance, all correspondence/communication **MUST** include the following information:

- Model Number _____
- Serial Number _____
- Complete and detailed explanation of the problem.

IMPORTANT

This manual should be read carefully before the appliance is installed and operated. Read the warnings and guidelines contained in this manual carefully as they provide essential information for the continued safe use and maintenance of the appliance. Retain this manual for any further reference that may be necessary.

CONTENTS

Important Safety Information 4

I. Specifications..... 9

 A. Electrical and Refrigerant Data 9

 B. Dimensions/Connections 10

II. Installation Instructions 12

 A. Location 12

 B. Checks Before Installation..... 14

 C. How to Remove Panels 15

 D. Setup..... 16

 E. Electrical Connection 17

 F. Water Supply and Drain Connections 18

 G. Final Checklist 20

 1. Pre-Startup..... 20

 2. Post-Startup 20

III. Operating Instructions..... 21

 A. Important Notes About Usage 21

 B. Startup 22

 C. Alarm Safeties 25

IV. Maintenance 26

 A. User Maintenance Schedule 27

 B. Service Maintenance Schedule..... 27


 C. Cleaning and Sanitizing Instructions..... 28

V. Preparing the Appliance for Periods of Non-Use 32

VI. Decommissioning and Disposal 33

Important Safety Information

Throughout this manual, notices appear to bring your attention to situations which could result in death, serious injury, damage to the appliance, or damage to property.

	R-290 Class A3 Flammable Refrigerant Used
⚠ DANGER	Indicates a hazardous situation that, if not avoided, will result in death or serious injury.
⚠ WARNING	Indicates a hazardous situation that, if not avoided, could result in death or serious injury.
NOTICE	Indicates a situation that, if not avoided, could result in damage to the appliance or property.
IMPORTANT	Indicates important information about the use and care of the appliance.

⚠ DANGER

Risk of Fire or Explosion **Flammable Refrigerant Used**

- | | |
|---|---|
| <ul style="list-style-type: none"> • Only qualified service technicians should install and service the appliance. • No installation, operation, or maintenance should be undertaken until the technician has thoroughly read this Instruction Manual. All safety precautions must be followed. • No service should be undertaken until the technician has thoroughly read the Service Manual available at www.hoshizakiamerica.com. All safety precautions must be followed. • This appliance to be installed in accordance with the Safety Standard for Refrigeration Systems ANSI/ASHRAE 15. • Follow handling instructions carefully in compliance with national regulations. • Do not use mechanical devices or other means to accelerate the defrosting process or to clean, other than those recommended by the manufacturer. • Do not puncture refrigerant tubing. Risk of fire or explosion due to puncture of refrigerant tubing; follow handling instructions carefully. | <ul style="list-style-type: none"> • Servicing shall be done by trained service personnel with certified competence in handling flammable refrigerants to minimize the risk of possible ignition due to incorrect parts or improper service. • Component parts shall be replaced with like components, so as to minimize the risk of possible ignition due to incorrect parts. • Dispose of properly in accordance with federal or local regulations. • Do not pierce or burn. • Be aware that refrigerants may not contain an odor. • Do not damage the refrigeration circuit. • See nameplate for R-290 refrigerant charge: <ul style="list-style-type: none"> • If greater than 114 g (4 oz.), do not install in public corridor or lobby. • If greater than 152 g (5.3 oz.), do not install within 6 m (20 ft) of open flame. • The appliance shall be stored in a room without continuously operating ignition sources (for example: open flames, an operating gas appliance, or an operating electric heater). |
|---|---|

⚠ DANGER continued

- Do not place any potential ignition sources in or near the appliance.
- Keep clear of obstruction all ventilation openings in the appliance enclosure or in the structure for building-in.
- No potential sources of ignition are to be used in the searching for or detection of refrigerant leaks.
- Do not use electrical appliances inside the appliance unless they are of the type recommended by the manufacturer.
- Do not store explosive substances such as aerosol cans with a flammable propellant in this appliance.
- Check that cabling will not be subject to wear, corrosion, excessive pressure, vibration, sharp edges, or any other adverse environmental effects. The check shall also take into account the effects of aging or continual vibration from sources such as compressors or fans.
- Ensure that the area is in the open or that it is adequately ventilated before breaking into the system or conducting any hot work. A degree of ventilation shall continue during the period that the work is carried out. The ventilation should safely disperse any released refrigerant and preferably expel it externally into the atmosphere.

Risque D'Incendie ou D'Explosion
Fluide Frigorigène Inflammable Utilisé

- Seuls des techniciens de service qualifiés doivent installer et entretenir l'appareil.
- Aucune installation, opération ou maintenance ne doit être entreprise avant que le technicien n'ait lu attentivement ce manuel d'instructions. Toutes les précautions de sécurité doivent être suivies.
- Aucune opération d'entretien ne doit être entreprise avant que le technicien n'ait lu attentivement le manuel d'entretien disponible sur le site www.hoshizakiamerica.com. Toutes les précautions de sécurité doivent être suivies.
- Cet appareil doit être installé conformément à la norme de sécurité pour les systèmes de réfrigération ANSI/ASHRAE 15.
- Suivez attentivement les instructions de manutention conformément aux règlements nationaux.
- Ne pas utiliser de dispositifs mécaniques ou d'autres moyens pour accélérer le processus de dégivrage ou pour nettoyer, autres que ceux recommandés par le fabricant.
- Ne pas perforer la conduite de fluide frigorigène. Risque d'incendie ou d'explosion en cas de perforation d'une canalisation de fluide frigorigène; suivez attentivement les instructions de manutention.
- L'entretien doit être effectué par du personnel formé et certifié pour la manipulation de réfrigérants inflammables afin de réduire au minimum le risque d'inflammation dû à des pièces incorrectes ou à un entretien inadéquat.


⚠ DANGER continued

- Les pièces doivent être remplacées par des pièces similaires, de manière à réduire au minimum le risque d'inflammation dû à des pièces incorrectes.
 - Mettre au rebut conformément aux règlements fédéraux ou locaux.
 - Ne pas percer ou brûler.
 - Attention, les fluides frigorigènes peuvent ne pas dégager d'odeur.
 - Ne pas endommager les composants du circuit de réfrigération.
 - Voir plaque signalétique pour la charge de réfrigérant R-290:
 - Si elle est supérieure à 114 g (4 oz.), ne pas l'installer dans un couloir public ou un hall d'entrée.
 - Si elle est supérieure à 152 g (5.3 oz.), ne pas l'installer à moins de 6 m (20 pi) d'une flamme nue.
 - L'appareil doit être entreposé dans un local ne contenant pas de sources d'inflammation permanentes (flammes nues, appareil à gaz ou dispositif de chauffage électrique en fonctionnement, par exemple).
 - Ne placer aucune source d'inflammation potentielle à l'intérieur ou à proximité de l'appareil.
 - Ne pas obstruer les ouvertures de ventilation dans l'enceinte de l'appareil ou dans la structure d'encastrement.
 - Aucune source potentielle d'inflammation ne doit être utilisée pour rechercher ou détecter des fuites de réfrigérant.
 - Ne pas utiliser d'appareils électriques à l'intérieur de l'appareil, sauf s'ils sont du type recommandé par le fabricant.
 - Ne pas entreposer dans cet appareil des substances explosives telles que des bombes aérosols contenant un gaz propulseur inflammable.
- Vérifier que le câblage ne sera pas soumis à l'usure, à la corrosion, à une pression excessive, à des vibrations, à des arêtes vives ou à tout autre effet environnemental négatif. Le contrôle doit également prendre en compte les effets du vieillissement ou des vibrations continues provenant de sources telles que les compresseurs ou les ventilateurs.
 - S'assurer que la zone est à l'air libre ou qu'elle est correctement ventilée avant de pénétrer dans le système ou d'effectuer un travail à chaud. Une certaine ventilation doit être maintenue pendant la durée des travaux. La ventilation doit permettre de disperser en toute sécurité tout réfrigérant libéré et, de préférence, de l'expulser dans l'atmosphère.

WARNING

The appliance should be destined only to the use for which it has been expressly conceived. Any other use should be considered improper and therefore dangerous. The manufacturer cannot be held responsible for injury or damage resulting from improper, incorrect, and unreasonable use. Failure to install, operate, and maintain the appliance in accordance with this manual will adversely affect safety, performance, component life, and warranty coverage and may result in costly water damage.

To reduce the risk of death, electric shock, serious injury, or fire, follow basic precautions including the following:

- This appliance is not intended for use above 2,000 m (6,561 ft). Installation above 2,000 m (6,561 ft) may adversely affect safety, performance, and component life.
 - Wear appropriate personal protective equipment (PPE) when servicing the appliance.
 - The appliance must be installed in accordance with applicable national, state, and local codes and regulations.
 - The appliance requires an independent power supply of proper capacity. See the nameplate for electrical specifications. Failure to use an independent power supply of proper capacity can result in a tripped breaker, blown fuse, damage to existing wiring, or component failure. This could lead to heat generation or fire.
 - Do not make any alterations to the appliance. Alterations could result in electric shock, injury, fire, or damage to the appliance.
 - Appliance is heavy. Use care when lifting or positioning. Work in pairs when needed to prevent injury or damage.
- **THE APPLIANCE MUST BE GROUNDED.** The appliance is equipped with a NEMA 5-15 three-prong grounding plug  to reduce the risk of potential shock hazards. It must be plugged into a properly grounded, independent 3-prong wall outlet. If the outlet is a 2-prong outlet, it is your personal responsibility to have a qualified electrician replace it with a properly grounded, independent 3-prong wall outlet. Do not remove the ground prong from the power cord and do not use an adapter plug. Failure to follow these instructions may result in death, electric shock, or fire.
 - To reduce the risk of electric shock, do not touch the power switch, control switch, or plug with damp hands.
 - To reduce the risk of electric shock, make sure the power switch is in the "OFF" position before plugging in or unplugging the appliance.
 - Unplug the appliance before servicing.
 - Do not use an appliance with a damaged power cord. The power cord should not be altered, jerked, bundled, weighed down, pinched, or tangled. Such actions could result in electric shock or fire. To unplug the appliance, be sure to pull the plug, not the cord, and do not jerk the cord.
 - Do not use an extension cord.
 - If the supply cord is damaged, it must be replaced by the manufacturer, its service agent, or similarly qualified persons in order to avoid a hazard. Upon replacement, the GREEN ground wire in the power cord must be connected to the designated grounding screw.

⚠ WARNING continued

- The appliance is not intended for use by persons (including children) with reduced physical, sensory, or mental capabilities, or lack of experience and knowledge, unless they have been given supervision or instruction concerning use of the appliance by a person responsible for their safety.
- Do not splash, pour, or spray water directly onto or into the appliance. This might cause short circuit, electric shock, corrosion, or failure.
- Children should be supervised to ensure that they do not play with the appliance.
- Do not climb, stand, or hang on the appliance or allow children or animals to do so. Serious injury could occur or the appliance could be damaged.
- Do not use combustible spray or place volatile or flammable substances in or near the appliance. They might catch fire.
- Keep the area around the appliance clean. Dirt, dust, or insects in the appliance could cause harm to individuals or damage to the appliance.

NOTICE

- Follow the water supply, drain connection, and maintenance instructions carefully to reduce the risk of costly water damage.
- In areas where water damage is a concern, install in a contained area with a floor drain.
- Install the appliance in a location that stays above freezing. Normal operating ambient temperature must be within 45°F to 100°F (7°C to 38°C).
- Level the icemaker. An out-of-level icemaker could result in improper operation, poor performance, water leaks, and/or damage to the icemaker.

NOTICE

- Do not leave the appliance on during extended periods of non-use, extended absences, or in sub-freezing temperatures. To properly prepare the appliance for these occasions, follow the instructions in "V. Preparing the Appliance for Periods of Non-Use."
- Do not place objects on top of the appliance.
- The ice storage bin is for ice use only. Do not store anything else in the ice storage bin.
- Protect the floor when moving the appliance to prevent damage to the floor.

I. Specifications

A. Electrical and Refrigerant Data

The rating label and nameplate provide electrical and refrigerant data and Year of Manufacture (YOM). The rating label can be seen by removing the right side panel.

The nameplate is located on the rear panel. For certification marks, see the nameplate.

We reserve the right to make changes in specifications and design without prior notice.

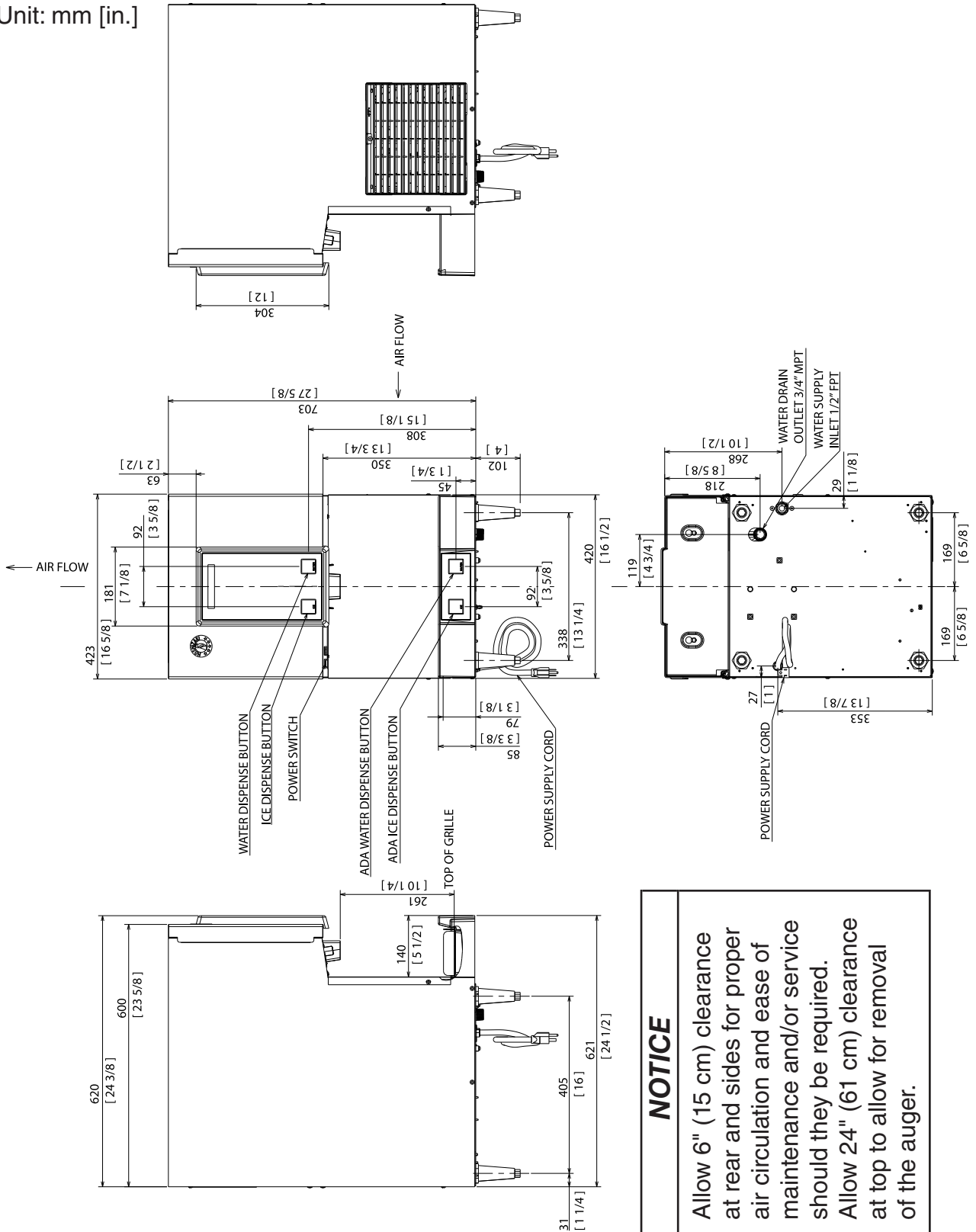
Model Number	DCM-271BAK(-OS)
AC SUPPLY VOLTAGE	~115/60/1
AMPERES	6.4
DESIGN PRESSURE kPa (PSI)	HI-1979 (287) LO-883 (128)
REFRIGERANT g (oz.)	R-290 150 (5.3)
CLIMATE CLASS	5
INSULATION BLOWING GAS	HFO 1233 ZD (E)
MINIMUM ROOM FLOOR AREA M ² (FT ²)	7.2 (77.3)
HARVEST RATE	≤1,200 LB/DAY (CONTINUOUS)

Note: Climatic Class 5: This appliance electrical safety tested for operation in maximum ambient temperature of 104°F (40°C) with 40% relative humidity. However, normal operating ambient temperature must be within 45°F to 100°F (7°C to 38°C); Normal operating water temperature must be within 45°F to 90°F (7°C to 32°C). Operation of the appliance, for extended periods, outside of these normal temperature ranges may affect appliance performance.

B. Dimensions/Connections

1. DCM-271BAK

Unit: mm [in.]

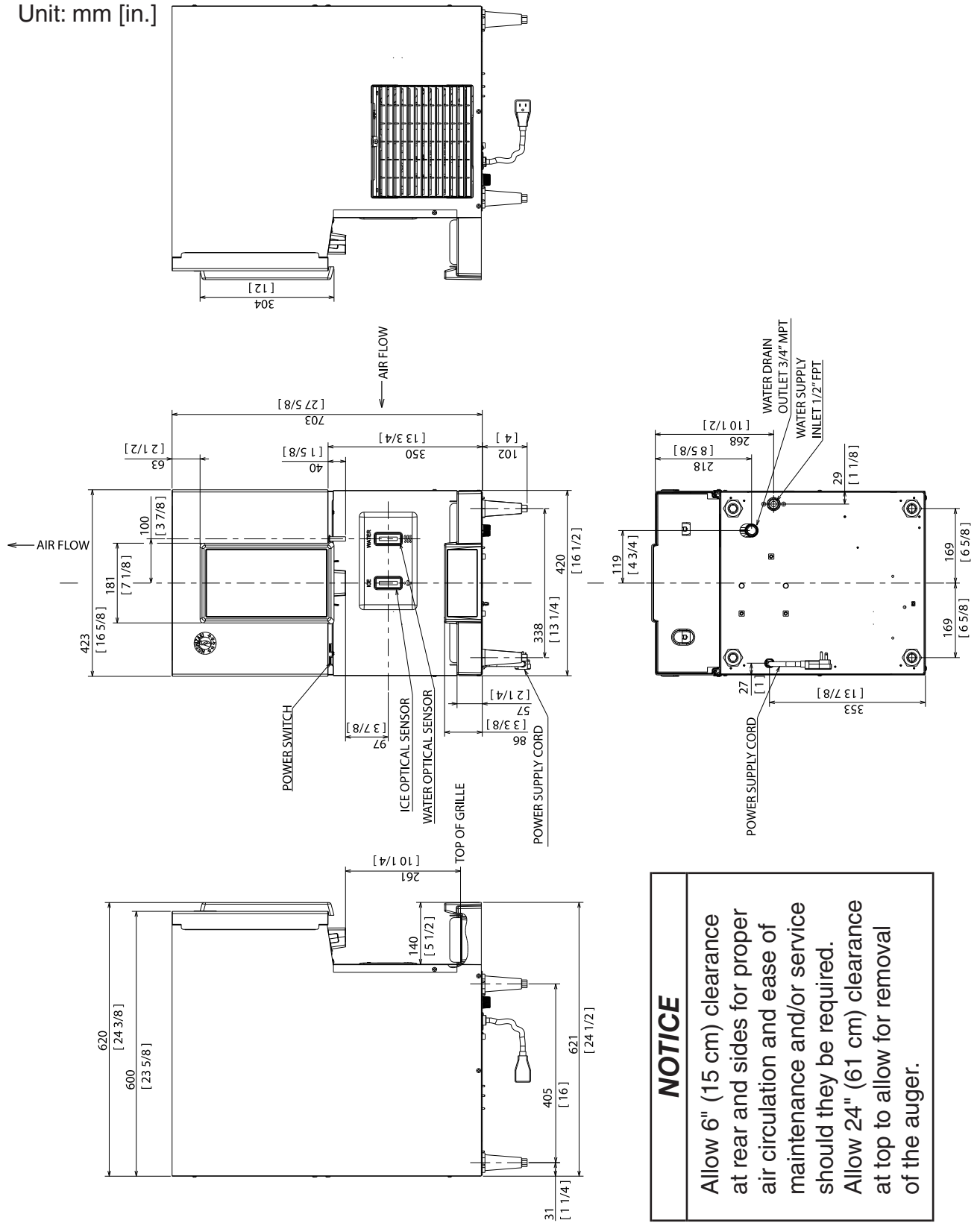


NOTICE

Allow 6" (15 cm) clearance at rear and sides for proper air circulation and ease of maintenance and/or service should they be required.
 Allow 24" (61 cm) clearance at top to allow for removal of the auger.

2. DCM-271BAK-OS

Unit: mm [in.]



NOTICE

Allow 6" (15 cm) clearance at rear and sides for proper air circulation and ease of maintenance and/or service should they be required. Allow 24" (61 cm) clearance at top to allow for removal of the auger.

II. Installation Instructions

WARNING

- This appliance must be installed in accordance with applicable national, state, and local codes and regulations.
- This appliance to be installed in accordance with the Safety Standard for Refrigeration Systems ANSI/ASHRAE 15.
- Failure to install, operate, and maintain the appliance in accordance with this manual will adversely affect safety, performance, component life, and warranty coverage and may result in costly water damage.
- **CHOKING HAZARD:** Ensure all components, fasteners, and thumbscrews are securely in place after installation. Make sure that none have fallen into the ice storage bin.

A. Location

1. General

This appliance uses an A3 flammable refrigerant. For refrigerant charge and minimum room floor area, see the table below.

DANGER



R-290 Class A3 Flammable Refrigerant Used

Model	R-290 Refrigerant Charge g (oz.)	Minimum Room Floor Area (operating or storage) Superficie Minimale du Local (service ou stockage) m ² (ft ²); m ² (pi ²)
DCM-271BAK(-OS)	150 (5.3)	7.2 (77.3)



≥ Area m² (ft²) (see "Minimum Room Floor Area" above)
 ≥ Superficie m² (pi²) (voir « Superficie Minimale du Local » ci-dessus)

⚠ DANGER continued

R-290 Refrigerant Charge:

- If greater than 114 g (4 oz.), do not install in public corridor or lobby.
- If greater than 152 g (5.3 oz.), do not install within 6 m (20 ft) of open flame.

Charge de réfrigérant R-290:

- Si elle est supérieure à 114 g (4 oz.), ne pas l'installer dans un couloir public ou un hall d'entrée.
- Si elle est supérieure à 152 g (5.3 oz.), ne pas l'installer à moins de 6 m (20 pi) d'une flamme nue.

This appliance is not intended for use above 2,000 m (6,561 ft). Installation above 2,000 m (6,561 ft) may adversely affect safety, performance, and component life.

NOTICE

- The appliance is not intended for outdoor use. Normal operating ambient temperature must be within 45°F to 100°F (7°C to 38°C); Normal operating water temperature must be within 45°F to 90°F (7°C to 32°C). Operation of the appliance, for extended periods, outside of these normal temperature ranges may affect appliance performance.
- This appliance will not work at sub-freezing temperatures. To prevent damage to the water supply line, drain the appliance if the air temperature is going to go below 32°F (0°C). See "V. Preparing the Appliance for Periods of Non-Use."
- Opti-Serve Model (-OS): Sunlight, direct and indirect, can have an effect on the operation of the dispense sensors. If a problem is noticed, the appliance should be moved out of direct sunlight and/or farther away from any outside windows.

- The appliance should not be located next to ovens, grills, or other high heat producing equipment.
- The location should provide a firm and level foundation for the appliance.
- Allow 6" (15 cm) clearance at rear and sides for proper air circulation and ease of maintenance and/or service should they be required. Allow 24" (61 cm) clearance at top to allow for removal of the auger.

B. Checks Before Installation

- Visually inspect the exterior of the shipping container and immediately report any damage to the carrier. Upon opening the container, any concealed damage should also be immediately reported to the carrier.
- Remove the shipping carton, tape, and packing material. If any are left in the appliance, it will not work properly.
- See the nameplate on the rear panel, and check that your voltage supplied corresponds with the voltage specified on the nameplate.
- Remove the panels to prevent damage when installing the appliance. See "II.C. How to Remove Panels."
- Remove the package containing the accessories.
- Remove the protective plastic film from the panels. If the appliance is exposed to the sun or to heat, remove the film after the appliance cools.
- Check that the refrigerant lines do not rub or touch lines or other surfaces, and that the fan blade (if applicable) turns freely.
- This appliance can be installed on a countertop or on an optional stand. If using an optional stand, see the table below. For further options, contact your local Hoshizaki distributor.

Model Number	SD Stand
DCM-271BAK(-OS)	SD-271

C. How to Remove Panels

See Fig. 1 or Fig. 2

- Front Panel: Remove the screw. Lift up and towards you. Disconnect the connectors on push-button models.
- Top Panel: Lift up at front slightly, pull towards you and lift off.
- Apron Panel: Remove the screws and pull towards you. Disconnect the connectors on optical-sensor models.
- Side Panel: Remove the screws and pull towards you.
- Ice Storage Bin Cover: Remove the thumbscrews and lift off.

DCM-271BAK Push-Button Models

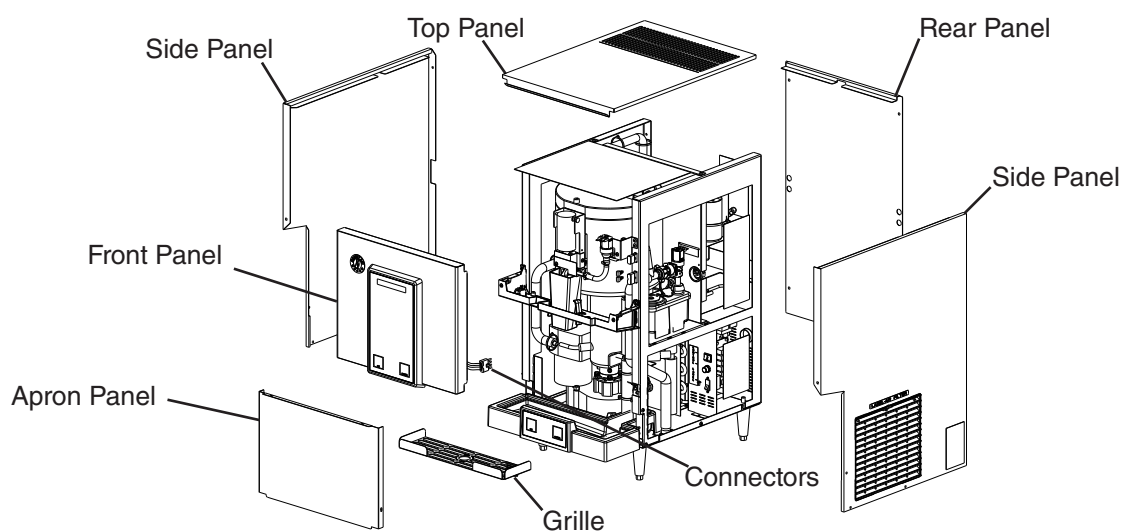


Fig. 1

DCM-271BAK-OS Opti-Serve Models

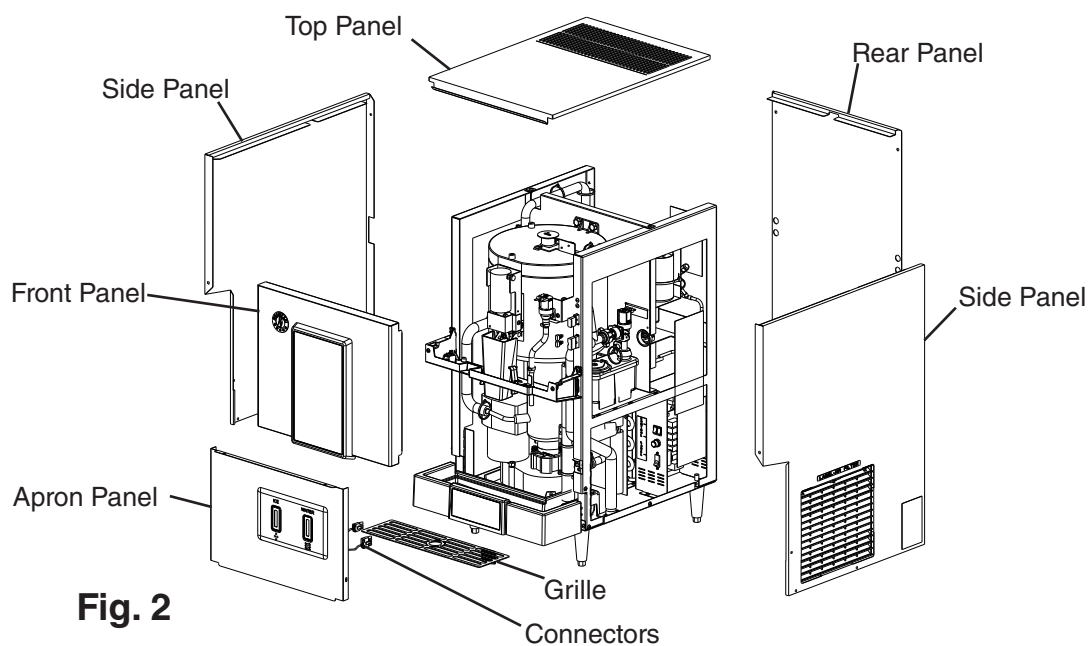



Fig. 2

D. Setup

- 1) Position the appliance in the selected permanent location. If applicable, attach optional 4" legs or attach to an optional stand. If attaching to a stand, refer to the instructions included with the stand.
- 2) Level the appliance in both the left-to-right and front-to-rear directions. If using optional 4" legs or an optional stand, adjust the legs to make the appliance level.
- 3) If mounting flat to a counter, seal the perimeter where the appliance contacts the counter with approved caulk compound in a smooth and easily cleanable manner.
- 4) Replace the panels in their correct positions.

E. Electrical Connection

WARNING

- Electrical connection must meet national, state, and local electrical code requirements. Failure to meet these code requirements could result in death, electric shock, serious injury, fire, or damage.
- The appliance requires an independent power supply of proper capacity. See the nameplate for electrical specifications. Failure to use an independent power supply of proper capacity can result in a tripped breaker, blown fuse, damage to existing wiring, or component failure. This could lead to heat generation or fire.
- **THE APPLIANCE MUST BE GROUNDED:** The appliance is equipped with a NEMA 5-15 three-prong grounding plug  to reduce the risk of potential shock hazards. It must be plugged into a properly grounded, independent 3-prong wall outlet. If the outlet is a 2-prong outlet, it is your personal responsibility to have a qualified electrician replace it with a properly grounded, independent 3-prong wall outlet. Do not remove the ground prong from the power cord and do not use an adapter plug. Failure to properly ground the appliance could result in death or serious injury.
- Do not use an extension cord.
- Provide a safe routing for the power cord to protect it from wear, corrosion, excessive pressure, vibration, sharp edges, or any other adverse environmental effects.
- To reduce the risk of electric shock, make sure the control switch is in the "OFF" position before plugging in or unplugging the appliance.
- To reduce the risk of electric shock, do not touch the control switch or plug with damp hands.
- Do not use an appliance with a damaged power cord. The power cord should not be altered, jerked, bundled, weighed down, pinched, or tangled. Such actions could result in electric shock or fire. To unplug the appliance, be sure to pull the plug, not the cord, and do not jerk the cord.
- If the supply cord is damaged, it must be replaced by the manufacturer, its service agent, or similarly qualified persons in order to avoid a hazard. Upon replacement, the GREEN ground wire in the power cord must be connected to the designated grounding screw.

- Usually an electrical permit and services of a licensed electrician are required.
- The maximum allowable voltage variation is ± 6 percent of the nameplate rating.

F. Water Supply and Drain Connections

See Fig. 3

⚠ WARNING

- Water supply and drain connections must be installed in accordance with applicable national, state, and local regulations.
- Connect to potable water supply only. Do not connect to a hot-water supply.

NOTICE

- Normal operating water temperature must be within 45°F to 90°F (7°C to 32°C). Operation of the appliance, for extended periods, outside of this normal temperature range may affect appliance performance.
 - Water supply pressure must be a minimum of 10 PSIG (68 kPaG) and a maximum of 113 PSIG (779 kPaG). If the pressure exceeds 113 PSIG (779 kPaG), the use of a pressure reducing valve is required.
 - External filters, strainers, or softeners may be required depending on water quality. Contact your local Hoshizaki Certified Service Representative or local Hoshizaki distributor for recommendations.
 - In areas where water damage is a concern, install in a contained area with a floor drain.
 - Water line installation to the appliance is not warranted by Hoshizaki.
 - Water-hammer issues must be resolved by a qualified plumber before installing the appliance. Water hammer can cause appliance damage that may lead to water leakage or flooding.
 - A minimum of 3/4" nominal ID hard pipe or equivalent is required for the drain line. Installing a smaller diameter drain line will reduce water flow and may lead to water leakage or flooding.
 - Be sure there is sufficient extra water supply line and drain line for the appliance to be pulled out for service.
- A plumbing permit and services of a licensed plumber may be required in some areas.
 - Water supply line size is critical to the operation of the appliance. Failure to provide adequate water supply to the appliance may result in damage to the appliance, damage to property, and may void the warranty.

Water Supply Inlet	Minimum Water Supply Line Size	Drain Outlet	Minimum Drain Line Size
1/2" Female Pipe Thread (FPT)	1/4" Nominal ID Copper Water Tubing or Equivalent	3/4" Male Pipe Thread (MPT)	3/4" Nominal ID Hard Pipe or Equivalent

- A water supply line shut-off valve and drain valve must be installed.
- Water supply pressure must be a minimum of 10 PSIG (69 kPaG) and a maximum of 113 PSIG (779 kPaG). If the pressure exceeds 113 PSIG (779 kPaG), the use of a pressure reducing valve is required.
- Drain lines must have 1/4" fall per foot (2 cm per 1 m) on horizontal runs to get a good flow. A vented tee connection is also required for proper flow.
- Drain line should not be piped directly to the sewer system. An air gap of a minimum of 2 vertical inches (5 cm) must be between the end of the drain pipe from the appliance and the floor drain.

Separate piping to approved drain. Leave a 2-inch (5-cm) vertical air gap between the end of the pipe and the drain.

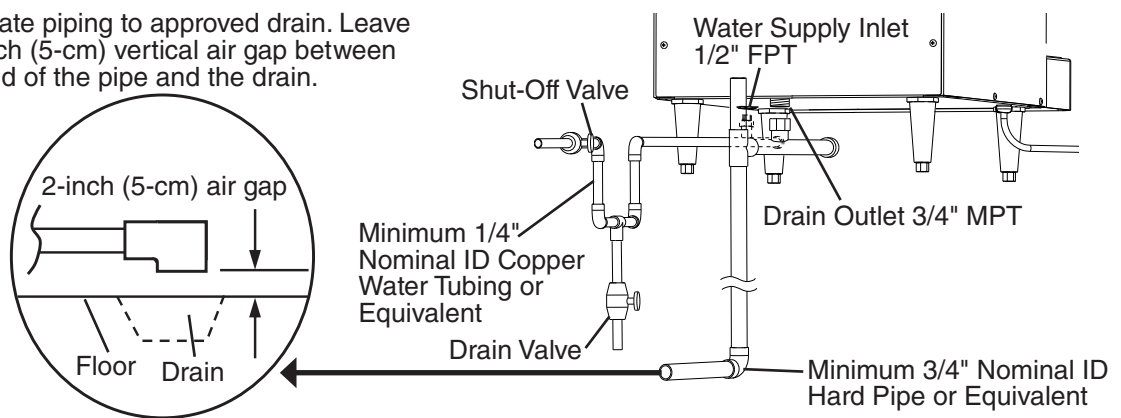


Fig. 3

G. Final Checklist

1. Pre-Startup

- 1) Is the appliance level?
- 2) Is the appliance in a site where the ambient temperature is within 45°F to 100°F (7°C to 38°C) and the water temperature within 45°F to 90°F (7°C to 32°C) all year around?
- 3) Is there at least 6" (15 cm) at the rear and sides and 24" (61 cm) at the top of the appliance for maintenance and service?
- 4) Have the shipping carton, tape, and packing material been removed from the appliance? Has the protective plastic film been removed from the panels?
- 5) Have all electrical and water connections been made? Do electrical and water connections meet applicable national, state, and local code and regulation requirements?
- 6) Has the power supply voltage been checked or tested against the nameplate rating? Is the power supply a properly grounded, independent 3-prong wall outlet?
- 7) Are the water supply and drain lines sized as specified? Are the water supply line shut-off valve(s) and drain valve(s) installed? Has the water supply pressure been checked to ensure a minimum of 10 PSIG (69 kPaG) and a maximum of 113 PSIG (779 kPaG)?
- 8) If the appliance is mounted flat to a counter, has the perimeter where the appliance contacts the counter been sealed with approved caulk compound? If the appliance is on a stand, has it been secured to the stand as outlined in the stand's instructions?
- 9) Is the compressor snug on all mounting pads? Have the refrigerant lines been checked to make sure they do not rub or touch other lines or surfaces? Has the fan blade (if applicable) been checked to make sure it turns freely?
- 10) Continue to "III. Operating Instructions."

2. Post-Startup

⚠ WARNING
CHOKING HAZARD: Ensure all components, fasteners, and thumbscrews are securely in place after installation. Make sure that none have fallen into the ice storage bin.

- 1) Has the bin control operation been confirmed?
- 2) Has the ice and water dispenser operation been confirmed?
- 3) Are all components, fasteners, and thumbscrews securely in place?
- 4) Has the end user been given the instruction manual, and instructed on how to operate the appliance and the importance of the recommended periodic maintenance?
- 5) Has the end user been given the contact information of an authorized service agent?
- 6) Has the warranty registration been completed and submitted to the factory?

III. Operating Instructions



R-290 Class A3 Flammable Refrigerant Used

⚠ DANGER

Risk of Fire or Explosion. Flammable Refrigerant Used.

- Be sure to follow all Important Safety Information located at the beginning of this manual.
- Failure to install, operate, and maintain the appliance in accordance with this manual will adversely affect safety, performance, component life, and warranty coverage and may result in costly water damage.
- Keep clear of obstruction all ventilation openings in the appliance enclosure or in the structure for building-in.

Risque D'Incendie ou D'Explosion. Fluide Frigorigène Inflammable Utilisé.

- Veuillez à respecter toutes les consignes de sécurité importantes figurant au début de ce manuel.
- Le fait de ne pas installer, utiliser et entretenir l'appareil conformément à ce manuel aura des conséquences négatives sur la sécurité, les performances, la durée de vie des composants et la couverture de la garantie, et peut entraîner des dégâts des eaux coûteux.
- Ne pas obstruer les ouvertures de ventilation dans l'enceinte de l'appareil ou dans la structure d'encastrement.

A. Important Notes About Usage

NOTICE

- Protect the floor when moving the appliance to prevent damage to the floor.
- Do not leave the appliance on during extended periods of non-use, extended absences, or in sub-freezing temperatures. To properly prepare the appliance for these occasions, follow the instructions in "V. Preparing the Appliance for Periods of Non-Use."
- Do not place objects on top of the appliance.
- If applicable, keep ventilation openings in the appliance clear of obstruction.

B. Startup

⚠ WARNING

- All parts are factory-adjusted. Improper adjustments may adversely affect safety, performance, component life, and warranty coverage.
- To reduce the risk of electric shock, do not touch the power switch, control switch, or plug (on corded models) with damp hands.
- If you have to slide the appliance back for a built-in installation, make sure you do not damage or pinch the water supply line, drain line, or power cord.

NOTICE

- If the appliance is turned off, wait for at least 3 min. before restarting the appliance to prevent damage to the compressor.
- At startup, confirm that all internal and external connections are free of leaks.

- 1) Make sure the power switch is in the "OFF" position, and the appliance is unplugged from the electrical outlet.
- 2) Open the water supply line shut-off valve.
- 3) Remove the louver and air filter. Move the control switch to the "ICE" position. Replace the louver and air filter in their correct positions. See Fig. 4.

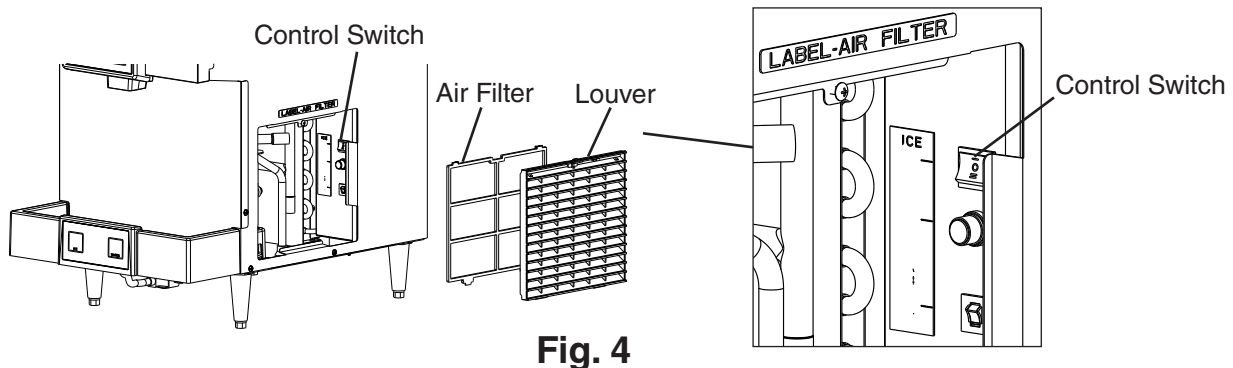


Fig. 4

- 4) Plug the appliance into the electrical outlet, then move the power switch to the "ON" position to start the automatic icemaking process. See Fig. 5.

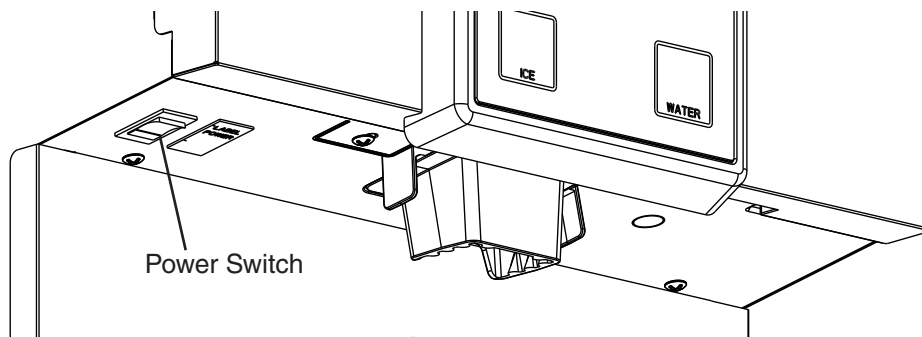


Fig. 5

- 5) Once the appliance starts to produce ice, allow it to run for 30 min.

- 6) After 30 min., remove the louver and air filter. Move the control switch to the "OFF" position, pause momentarily, then move the control switch to the "DRAIN" position. Allow the water system to drain completely (you will see the water draining into the drain pan). Move the control switch to the "OFF" position.
 Note: a) A momentary pause in the "OFF" position is necessary to de-energize the control board when moving the control switch between "DRAIN" and "ICE." Otherwise there is a delay of several minutes before the new selection takes effect.
 b) If control switch is left in the "DRAIN" position for 10 minutes or more, a 2-beep alarm sounds every 5 seconds. If this occurs, move the control switch out of the "DRAIN" position to clear the alarm.
- 9) Dispense all of the ice from the ice storage bin. Also confirm that the water dispenser is operating correctly.
- 10) Move the power switch to the "OFF" position, then unplug the appliance from the electrical outlet.
- 11) Remove the top panel, then remove the bin top. Clean the ice storage bin liner and actuator using a neutral cleaner. See Fig. 6. Rinse thoroughly after cleaning.
NOTICE! Be sure to keep the micro switch mounted on the bin top dry.
- 12) Place the bin top back in its correct position and secure.

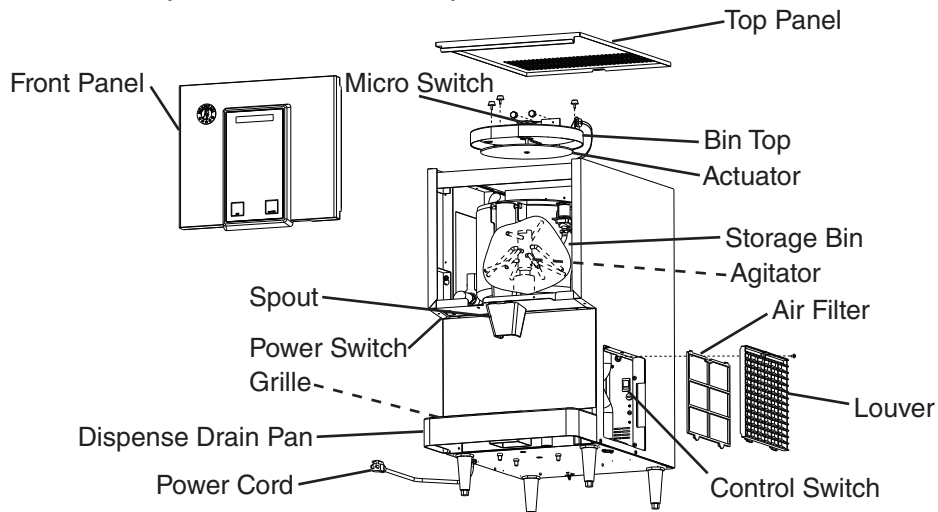


Fig. 6

- 12) Move the control switch to the "ICE" position. Plug the appliance into the electrical outlet.

Bin Control Check

- 13) Move the power switch to the "ON" position to start the automatic icemaking process. There is a delay of at least 10 seconds before the "GM" LED turns on after power-up. Make sure the "GM" energizes. The control board "GM" LED turns on. See Fig. 7. 1 min. later, the compressor energizes. Confirm the "COMP" LED turns on.

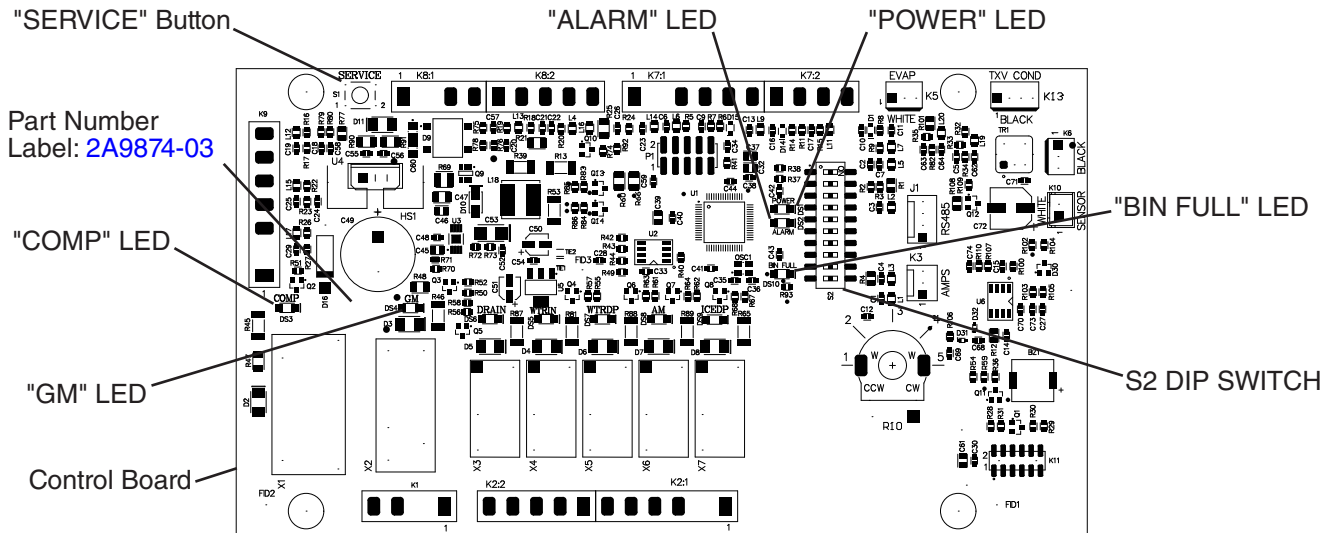


Fig. 7

- 14) Lift the balance plate located on the bin top until the micro switch lever lifts and micro switch opens. See Fig. 8. 90-second compressor shutdown timer starts. Once the 90-second compressor shutdown timer terminates, compressor de-energizes and the 60-second gear motor shutdown timer starts. Once the 60-second gear motor shutdown timer terminates, gear motor de-energizes. Release the balance plate back to its correct position.

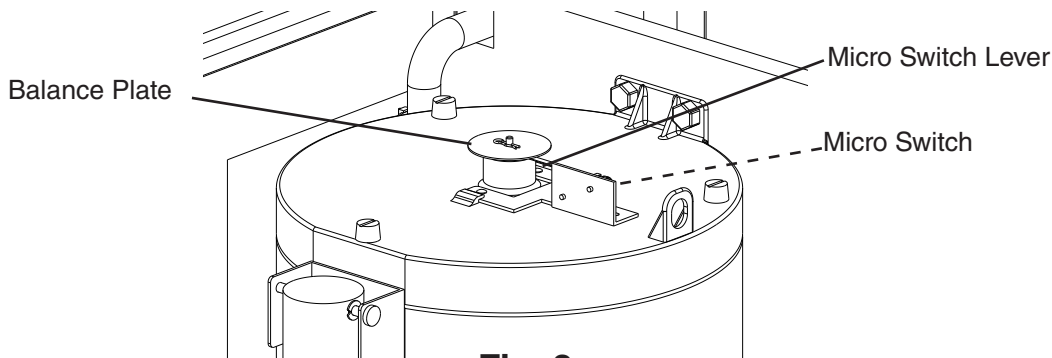


Fig. 8

- 15) Move the control switch to the "OFF" position, then unplug the appliance from the electrical outlet.
- 16) Replace all removed parts and panels in their correct positions. If removed, on the push-button model, reconnect the connectors (5VDC). **WARNING! CHOKING HAZARD: Ensure all components, fasteners, and thumbscrews are securely in place. Make sure that none have fallen into the ice storage bin.**
- 17) Plug the appliance into the electrical outlet. Move the control switch to the "ICE" position to start the automatic icemaking process.
- 18) Return to "II.G.2. Post-Startup" and complete final checklist.

C. Alarm Safeties

Should an alarm occur, follow the instructions in the table below to address the alarm.

If an alarm continues to occur, contact an authorized service agent.

In case of alarm, the built-in safeties shut down the unit, the orange "ALARM" LED turns on, and audible alarms sound as listed below.

No. of Beeps (every 5 sec.)	Type of Alarm	Notes and Reset Options
1	Low-Water Safety UFS open > 90 sec. after WV energized.	Automatic reset once water supply is restored and UFS closes.
2	Control Switch In "DRAIN" position longer than 15 min.	Automatic reset once the control switch is moved to the "ICE" position.
3	High-Pressure Switch First and second activation in 1 hr.	Automatic reset once pressure drops below the high pressure threshold and the high-pressure switch closes.
4	High-Pressure Switch Third activation in 1 hr.	Turn power off. Call for service. To avoid possible catastrophic failure, it is recommended to leave the icemaker off until this alarm is resolved.
5	Freeze Timer WV off > 30 min. since last WV activation.	Call for service. Manual reset. Turn power off and on again. Check for FS stuck (up), WV leaking by, TXV defective, LLV not opening, low charge, HM not bypassing, or inefficient Comp.
6	Low Voltage 92VAC ± 5% or less.	Green "POWER" LED turns off if voltage protection operates.
7	High Voltage 147VAC ± 5% or more.	Control voltage safeties automatically reset when voltage is corrected.
8	a) Gear Motor Fuse or Protector Open CCR contacts fail to close. Used on all models.	Turn power off. Check for GM fuse or protector open. Replace fuse or let protector cool and reset. If persistent trips occur, call for service.
	b) Evaporator Thermistor At GM startup Evaporator thermistor < -4°F (-20°C). Used on Cubelet (-C), (-SC), and (-CB) models only.	Turn power off. Call for service. To avoid possible catastrophic failure, it is recommended to leave the icemaker off until this alarm is resolved. Manual reset. Turn power off and on again.
9	Bin Control 2 (Mechanical) Open Circuit Control Board K8 (#3 and #4) Not used on DCM or self-contained models.	Manual reset. Turn power off and on again. Modular Flaker and Cubelet (-C), (-SC), and (-CB) Models: Control Board S2 Dip Switch #7 must be ON. DCM and Self-Contained Models: Control Board S2 Dip Switch #7 must be OFF.
10	Evaporator Thermistor Evaporator thermistor reaches -22°F (-30°C) for 3 consecutive cycles. Used on Cubelet (-C), (-SC), and (-CB) models only. Not used on DCM or self-contained models.	Turn power off. Call for service. To avoid possible catastrophic failure, it is recommended to leave the icemaker off until this alarm is resolved. Manual reset. Turn power off and on again.

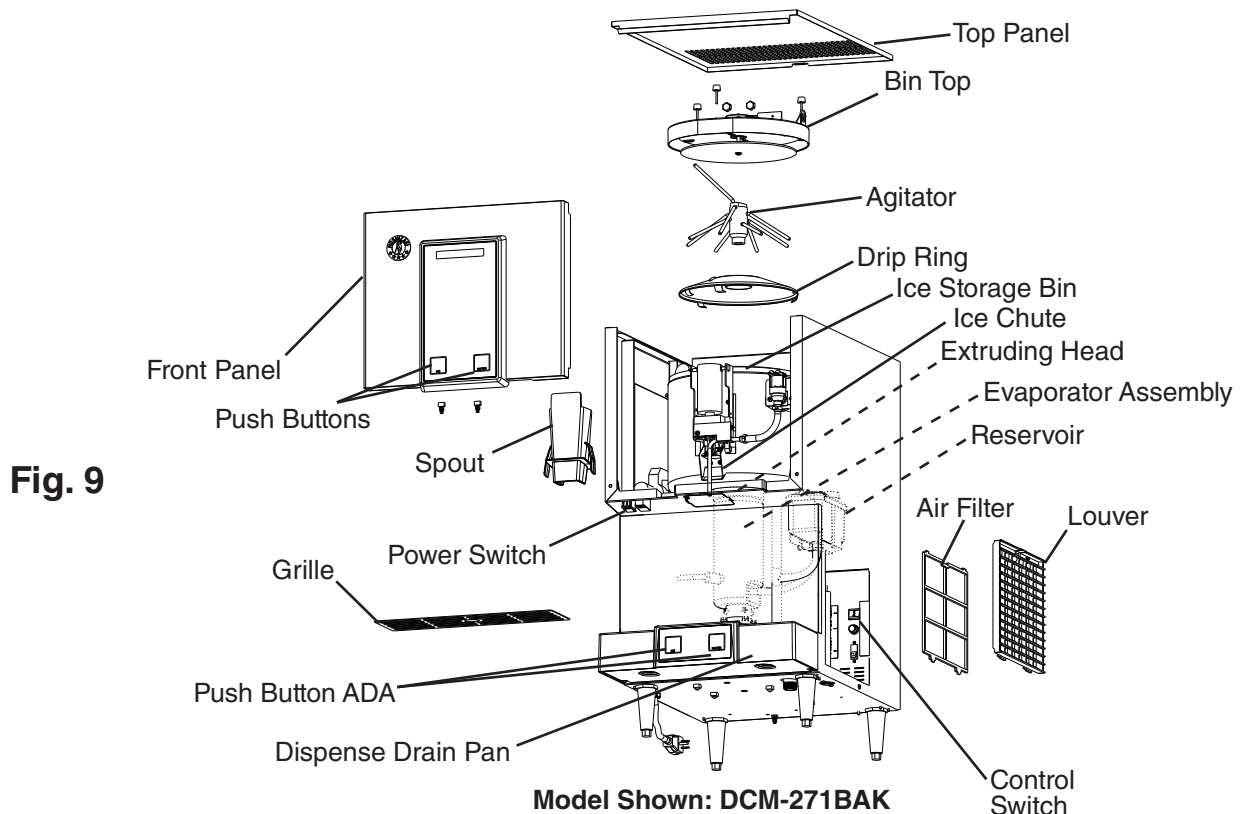
Legend: **CCR**—compressor control relay; **Comp**—compressor; **DV**—drain valve; **EH**—evaporator heater; **FM**—fan motor; **FMR**—fan motor-remote; **FS**—float switch; **GM**—gear motor; **HM**—headmaster (C.P.R.); **LLV**—liquid line valve; **SLV**—suction line valve; **TXV**—thermostatic expansion valve; **UFS**—upper float switch; **WV**—inlet water valve

IV. Maintenance

The appliance must be maintained in accordance with the instruction manual and labels provided with the appliance. Consult with your local Hoshizaki Certified Service Representative about maintenance service. To obtain the name and phone number of your local Hoshizaki Certified Service Representative, visit www.hoshizakiamerica.com.

⚠ WARNING

- Items listed under "IV.A. User Maintenance Schedule" may be performed by the user; otherwise, only qualified service technicians should service the appliance.
- Failure to install, operate, and maintain the equipment in accordance with this manual will adversely affect safety, performance, component life, and warranty coverage.
- To reduce the risk of electric shock, do not touch the power switch, control switch, or plug with damp hands. Make sure the power switch is in the "OFF" position before plugging in or unplugging the appliance.
- **Before Performing Maintenance/Service:** Move the power switch to the "OFF" position, then unplug the appliance from the electrical outlet.
- **CHOKING HAZARD:** Ensure all components, fasteners, and thumbscrews are securely in place after any maintenance is done to the appliance. Make sure that none have fallen into the ice storage bin.
- Do not place fingers or any other objects into the ice discharge opening.
- After service, make sure that there are no wires pinched between the panels and appliance. Make sure you do not damage or pinch the water supply line, drain line, or power cord.



A. User Maintenance Schedule

The user maintenance schedule below is a guideline. More frequent maintenance may be required depending on water quality, the appliance's environment, and local sanitation regulations.

Maintenance Schedule		
Frequency	Area	Task
Bi-Weekly	Air Filter	Inspect. Wash with warm water and neutral cleaner if dirty.
Monthly	Appliance Exterior	Wipe down with a clean, soft cloth. Use a damp cloth containing a neutral cleaner to wipe off oil or dirt build up. Clean any chlorine staining (rust colored spots) using a non-abrasive cleanser.

B. Service Maintenance Schedule

The service maintenance schedule below is a guideline; service maintenance items are to be performed by qualified service technicians only. More frequent maintenance may be required depending on water quality, the appliance's environment, and local sanitation regulations.

Maintenance Schedule		
Frequency	Area	Task
Monthly	External Water Filters	Check for proper pressure and change if necessary.
Every 6 Months	Appliance and Ice Storage Bin	Clean and sanitize per the cleaning and sanitizing instructions provided in this manual.
	Dispense Drain Pan and Gear Motor Drain Pan	Wipe down with a clean cloth and warm water. Slowly pour one cup of sanitizing solution (prepare as outlined in the sanitizing instructions in this manual) into the dispense drain pan and gear motor drain pan. Be careful not to overflow the dispense or gear motor drain pan. Repeat with a cup of clean water to rinse.
	Appliance Drain	Check to make sure it is clear.
	Extruding Head Seal Bolts	Inspect for leakage around seal bolts. Tighten (see torque value below) or replace as necessary. Seal bolts must be replaced once removed because seal material is one-time use only. If new seal bolts do not have preapplied threadlocker, apply Loctite 243 or equivalent threadlocker to seal bolt threads. <ul style="list-style-type: none"> • <i>Torque:</i> 11.1 ft-lb/15 N·m Tighten 2 times. Allow at least 5 sec. in between each tightening.
Yearly	Inlet Water Valve, Dispense Water Valve, and Drain Valve	Close the water supply line shut-off valve and drain the water system. Clean the inlet water valve and dispense water valve screens and clean and inspect the drain valve.
	Water Hoses	Inspect the water hoses and clean/replace if necessary.
	Condenser	Inspect. Clean if necessary by using a brush or vacuum cleaner.
	Appliance	Inspect for oil spots, loose components, fasteners, and wires.
	Upper Bearing (extruding head)	Check for wear using .02" round stock or pin gauge. Replace both upper bearing and lower bearing if wear exceeds factory recommendations. See the Service Manual for details.
After 3 Years, then Yearly	Upper Bearing (extruding head); Lower Bearing and O-Ring (lower housing); Mechanical Seal; Evaporator Cylinder; Auger	Inspect. Replace both upper bearing and lower bearing if wear exceeds factory recommendations. Replace the mechanical seal if the seal's contact surfaces are worn, cracked, or scratched. See the Service Manual for details.

C. Cleaning and Sanitizing Instructions

The appliance must be cleaned and sanitized at least twice a year. More frequent cleaning and sanitizing may be required in some conditions.

WARNING

- To prevent injury to individuals and damage to the appliance, do not use ammonia type cleaners.
- **Before Servicing:** Move the power switch to the "OFF" position, then unplug the appliance from the electrical outlet.
- Carefully follow any instructions provided with the cleaning and sanitizing solutions.
- Always wear liquid-proof gloves and goggles to prevent the cleaning and sanitizing solutions from coming into contact with skin or eyes.
- After cleaning and sanitizing, do not use ice made from the cleaning and sanitizing solutions. Be careful not to leave any solution on the parts or in the ice storage bin.

1. Cleaning Solution

Dilute 9.6 fl. oz. (284 ml or 19 tbs) of Hoshizaki "Scale Away" with 1.6 gal. (6.0 l) of warm water. This is a minimum amount. Make more solution if necessary.

IMPORTANT! For safety and maximum effectiveness, use the solution immediately after dilution.

2. Cleaning Procedure

- 1) Close the water supply line shut-off valve. See Fig. 3.
- 2) Dispense all of the ice from the ice storage bin.
- 3) Move the power switch to the "OFF" position, then remove the louver and air filter. See Fig. 6. Move the control switch to the "DRAIN" position, then move the power switch to the "ON" position. Allow the water system to drain completely (you will see the water draining into the drain pan). Move the control switch to the "OFF" position.
Note: a) When the appliance has power, a momentary pause in the "OFF" position is necessary to de-energize the control board when moving the control switch between "ICE" and "DRAIN." Otherwise there is a delay of several minutes before the new selection takes effect.
b) If the control switch is left in the "DRAIN" position for 10 minutes or more, a 2-beep alarm sounds every 5 seconds. Move the control switch out of the "DRAIN" position to clear the alarm.
- 4) Move the power switch to the "OFF" position, then unplug the appliance from the electrical outlet. Remove the front panel. On the push-button model, disconnect the connector. Next, remove the top panel.
- 5) Remove the bin top, then remove the agitator and drip ring.

- 6) Pour the cleaning solution over the extruding head until the evaporator assembly and the reservoir are full and the solution starts to overflow into the drain pan. Allow to soak for 10 minutes.
Note: If there is excessive scale on the extruding head, fill the evaporator assembly and reservoir as described above, then use a clamp on the reservoir hose between the reservoir and evaporator assembly to block flow. Pour additional cleaning solution over the extruding head until the evaporator assembly is completely full.
- 7) Remove the grille and spout.
- 8) Scrub the inside of the ice storage bin, inside of the bin top, the agitator, drip ring, ice chute area, spout, grille, and the inside of the drain pan using a nylon scouring pad, brushes, and cleaning solution. Rinse all parts thoroughly with clean water.
NOTICE! Be sure to keep the micro switch mounted on the bin top dry.
- 9) If you placed a clamp on the reservoir hose in step 6, remove it before operation.
- 10) Move the control switch to the "ICE" position. Replace the air filter, louver, drip ring, agitator, bin top, and panels in their correct positions.
- 11) Plug the appliance into the electrical outlet. Move the power switch to the "ON" position. Make ice using the solution until the appliance stops making ice.
- 12) Move the power switch to the "OFF" position, then remove the louver and air filter. Move the control switch to the "DRAIN" position, then move the power switch to the "ON" position. Allow the water system to drain completely.
- 13) Move the power switch to the "OFF" position, then unplug the appliance from the electrical outlet.
- 14) Remove the front panel, top panel, and bin top.
- 15) Pour clean, warm water into the ice storage bin and melt any remaining ice. Remove the agitator and drip ring. Rinse the inside of the ice storage bin, the agitator, and drip ring thoroughly with clean water.
- 16) Pour clean, warm water over the extruding head until the evaporator assembly and the reservoir are full and the water starts to overflow into the drain pan. Plug the appliance into the electrical outlet, then move the power switch to the "ON" position. Allow the water system to drain completely.
Note: If you do not sanitize the appliance, move the power switch to the "OFF" position after the water system drains. Unplug the appliance from the electrical outlet, then replace the drip ring, grille, and spout in their correct positions. Go to step 11 in "IV.C.5) Sanitizing Procedure - Final."
- 17) Move the power switch to the "OFF" position, then unplug the appliance from the electrical outlet.

3. Sanitizing Solution

Dilute 0.82 fl. oz. (24.3 ml or 1.6 tbs) of a 7.5% sodium hypochlorite solution (chlorine bleach) with 1.6 gal. (6.0 l) of warm water. This is a minimum amount. Make more solution if necessary. **IMPORTANT! For safety and maximum effectiveness, use the solution immediately after dilution.**

4. Sanitizing Procedure - Initial

- 1) Make sure the power switch is in the "OFF" position, the appliance is unplugged, and the water supply line shut-off valve is closed.
- 2) Pour the sanitizing solution over the extruding head until the evaporator assembly and the reservoir are full and the solution starts to overflow into the drain pan. Allow to soak for 10 minutes.
- 3) Scrub the inside of the ice storage bin, inside of the bin top, the agitator, drip ring, ice chute area, spout, grille, and the inside of the drain pan using a nylon scouring pad, brushes, and sanitizing solution. Rinse all parts thoroughly with clean water.
NOTICE! Be sure to keep the switch mounted on the bin top dry.
- 4) Move the control switch to the "ICE" position. Replace the air filter, louver, drip ring, agitator, bin top, grille, spout, and panels in their correct positions.
- 5) Plug the appliance into the electrical outlet. Move the power switch to the "ON" position. Make ice using the solution until the appliance stops making ice.
- 6) Move the power switch to the "OFF" position, then unplug the appliance from the electrical outlet.
- 7) Remove the front panel, top panel, and bin top.
- 8) Pour clean, warm water into the ice storage bin and melt any remaining ice.
- 9) Remove the louver and air filter. Plug the appliance into the electrical outlet. Move the control switch to the "DRAIN" position, then move the power switch to the "ON" position. Allow the water system to drain completely.
- 10) Move the power switch to the "OFF" position, then unplug the appliance from the electrical outlet.

5. Sanitizing Procedure - Final

- 1) Dilute 0.82 fl. oz. (24.3 ml or 1.6 tbs) of a 7.5% sodium hypochlorite solution (chlorine bleach) with 1.6 gal. (6.0 l) of warm water. This is a minimum amount. Make more solution if necessary. **IMPORTANT! For safety and maximum effectiveness, use the solution immediately after dilution.**
- 2) Make sure the power switch is in the "OFF" position, the appliance is unplugged, and the water supply line shut-off valve is closed.
- 3) Remove the agitator. Pour the sanitizing solution over the extruding head until the evaporator assembly and the reservoir are full and the solution starts to overflow into the drain pan. Allow to soak for 10 minutes.

- 4) Move the control switch to the "ICE" position. Replace the air filter, louver, agitator, bin top, and panels in their correct positions.
- 5) Plug the appliance into the electrical outlet. Move the power switch to the "ON" position. Make ice using the solution until the appliance stops making ice.
- 6) Move the power switch to the "OFF" position, then remove the louver and air filter. Move the control switch to the "DRAIN" position, then move the power switch to the "ON" position. Allow the water system to drain completely.
- 7) Move the power switch to the "OFF" position, then unplug the appliance from the electrical outlet.
- 8) Remove the front panel, top panel, and bin top.
- 9) Pour clean, warm water into the ice storage bin and melt any remaining ice. Remove the agitator. Pour clean, warm water over the extruding head until the evaporator assembly and the reservoir are full and the water starts to overflow into the drain pan. Plug the appliance into the electrical outlet, then move the power switch to the "ON" position. Allow the water system to drain completely.
- 10) Move the power switch to the "OFF" position, then unplug the appliance from the electrical outlet.
- 11) Move the control switch to the "ICE" position. Replace the air filter, louver, agitator, bin top, and panels in their correct positions.
- 12) Open the water supply line shut-off valve to supply water to the reservoir. Plug the appliance into the electrical outlet. Move the power switch to the "ON" position to start the automatic icemaking process. Allow the appliance to run for 30 minutes.
- 13) Move the power switch to the "OFF" position, then remove the louver and air filter. Move the control switch to the "DRAIN" position, then move the power switch to the "ON" position. Allow the water system to drain completely.
- 14) Dispense all of the ice from the ice storage bin.
- 15) Move the power switch to the "OFF" position, then unplug the appliance from the electrical outlet.
- 16) Remove the front panel, top panel, and bin top. Remove the agitator and drip ring.
- 17) Wipe down the inside of the ice storage bin, inside of the bin top, the agitator, and drip ring with a clean cloth.
- 18) Move the control switch to the "ICE" position. Replace the air filter, louver, drip ring, agitator, bin top, and panels in their correct positions. On the push-button model, reconnect the connector. **WARNING! CHOKING HAZARD: Ensure all components, fasteners, and thumbscrews are securely in place. Make sure that none have fallen into the ice storage bin.**
- 19) Plug the appliance into the electrical outlet, then move the power switch to the "ON" position to start the automatic icemaking process.

V. Preparing the Appliance for Periods of Non-Use

WARNING

Only qualified service technicians should service this appliance.

NOTICE

- During extended periods of non-use, extended absences, or in sub-freezing temperatures, follow the instructions below to reduce the risk of costly water damage.
- When the appliance is not used for two or three days under normal conditions, it is sufficient to move the power switch to the "OFF" position.

1. Remove the ice from the ice storage bin, drain the water system, and remove the water from the appliance water supply line:

- 1) Close the water supply line shut-off valve and open the water supply line drain valve.
- 2) Dispense all of the ice from the storage bin.
- 3) Move the power switch to the "OFF" position, then remove the louver and air filter. See Fig. 9. Move the control switch to the "DRAIN" position, then move the power switch to the "ON" position. Allow the water system to drain completely (you will see the water draining into the drain pan).

Note: a) When the appliance has power, a momentary pause in the "OFF" position is necessary to de-energize the control board when moving the control switch between "ICE" and "DRAIN." Otherwise there is a delay of several minutes before the new selection takes effect.

b) If the control switch is left in the "DRAIN" position for 10 minutes or more, a 2-beep alarm sounds every 5 seconds. Move the control switch out of the "DRAIN" position to clear the alarm.
- 4) Attach a compressed air or carbon dioxide supply to the water supply line drain valve.
- 5) While engaging the water dispense switch, blow out the water dispense valve using the compressed air or carbon dioxide supply. After blowing out the water dispense valve, leave the compressed air or carbon dioxide supply flowing. Move the control switch to the "ICE" position to open the inlet water valve and briefly blow out the valve. After blowing out the inlet water valve, move the power switch to the "OFF" position.
- 6) Close the water supply line drain valve.
- 7) Unplug the appliance from the electrical outlet.
- 8) Remove the front panel. On the push-button model, disconnect the connector. Remove the top panel and bin top. Clean the storage bin liner and the inside of the bin top using a neutral cleaner. Rinse thoroughly after cleaning. **NOTICE! Be sure to keep the switch mounted on the bin top dry.** Dry the storage bin liner and the inside of the bin top using a clean cloth.
- 9) Replace the air filter, louver, bin top, and panels in their correct positions. On the push-button model, reconnect the connectors. **WARNING! CHOKING HAZARD: Ensure all components, fasteners, and thumbscrews are securely in place. Make sure that none have fallen into the storage bin.**

VI. Decommissioning and Disposal



R-290 Class A3 Flammable Refrigerant Used

⚠ DANGER

Risk of Fire or Explosion. Flammable Refrigerant Used.

- Only qualified service technicians should install and service the appliance.
- Follow handling instructions carefully in compliance with national regulations.
- Dispose of properly in accordance with federal or local regulations.
- Do not puncture refrigerant tubing. Risk of fire or explosion due to puncture of refrigerant tubing; follow handling instructions carefully.
- Be sure to follow the full Decommissioning and Disposal information located in the Service Manual for this model. The Service Manual is available at www.hoshizakiamerica.com.

Risque D'Incendie ou D'Explosion. Fluide Frigorigène Inflammable Utilisé.

- Seuls des techniciens de service qualifiés doivent installer et entretenir l'appareil.
- Suivre attentivement les instructions de manutention conformément aux règlements nationaux.
- Mettre au rebut conformément aux conformément aux règlements fédéraux ou locaux.
- Ne pas perforer la conduite de fluide frigorigène. Risque d'incendie ou d'explosion en cas de perforation d'une canalisation de fluide frigorigène; suivez attentivement les instructions de manutention.
- Veiller à respecter l'ensemble des informations relatives à la mise hors service et à la mise au rebut figurant dans le manuel d'entretien de ce modèle. Le manuel d'entretien est disponible à l'adresse suivante: www.hoshizakiamerica.com.

HOSHIZAKI AMERICA, INC.

618 Hwy. 74 South, Peachtree City, GA 30269 USA (P) 770.487.2331 (F) 770.487.3360 hoshizakiamerica.com 1A7155-013