



HOSHIZAKI

Parts List

Cubelet Icemaker/Dispenser

Models

DCM-270BAH-OS



hoshizakiamerica.com

Number: 71231
Issued: 2-11-2004
Revised: 9-18-2017

CONTENTS

Auxiliary Codes.....	3
Note About Ordering Parts	3
A. Main Assembly	4
B. Refrigeration Circuit.....	6
C. Icemaking Unit	8
D. Water Circuit	11
E. Control Box A.....	13
F. Control Box B	15
G. Accessories & Labels.....	16

Auxiliary Codes

DCM-270BAH-OS

P-1	January 2004
P-2	February 2004
Q-0	December 2004
R-0	December 2005
S-0	January 2007
T-0	January 2008
T-1	December 2008
U-0	January 2009
U-1	July 2009
V-0	January 2010
V-1	April 2010
V-2	May 2010
V-3	September 2010
V-4	November 2010
A-0	January 2011
B-0	January 2012
B-1	March 2012
B-2	June 2012
C-0	January 2013
C-1	December 2013
D-0	January 2014
D-0	(F) (D08185F Last) June 2014
D-0	(F) (D08186F First) June 2014
D-1	June 2014
D-2	September 2014
E-0	January 2015
F-0	January 2016

DCM-270BAH-OS Continued

G-0	January 2017
G-1	March 2017
G-2	April 2017
G-3	August 2017

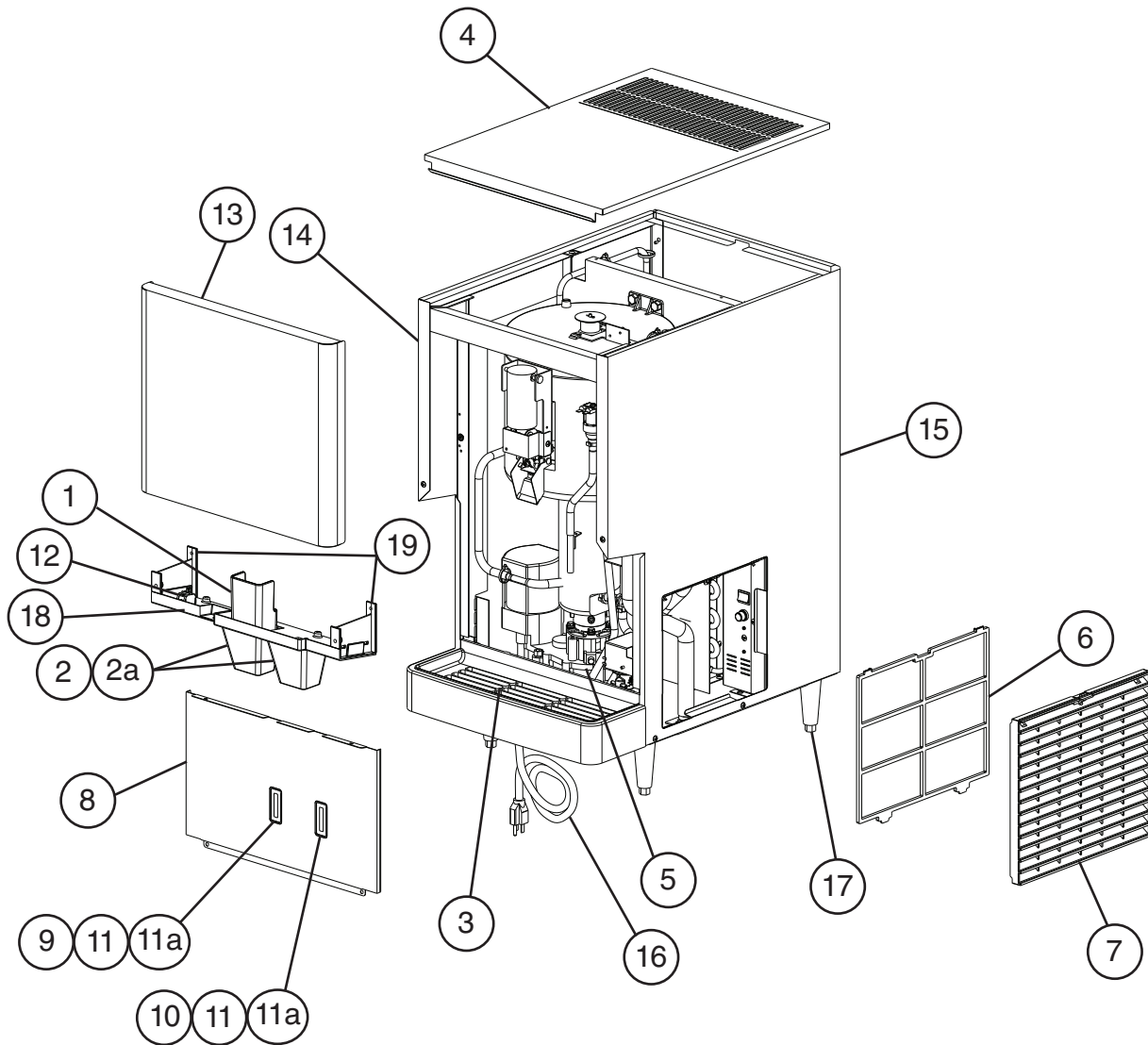
Auxiliary Code Breakdown

The auxiliary code is the first two characters in the serial number. The first character indicates the year. Years progress or regress in alphabetical order. The series runs from "A" through "V" and the letters "I" and "O" are skipped. The second character indicates significant part changes within a year. Base is "0" and this number advances for each change. In cases where there is a letter in parentheses, this designates the month. This is the last character in the serial number. The series runs from "(A)" through "(M)" and the letter "(I)" is skipped. This designation is only included when identifying a parts change within an auxiliary code.

Note About Ordering Parts

Most assemblies cannot be ordered as complete units; parts in the assemblies generally must be ordered separately.

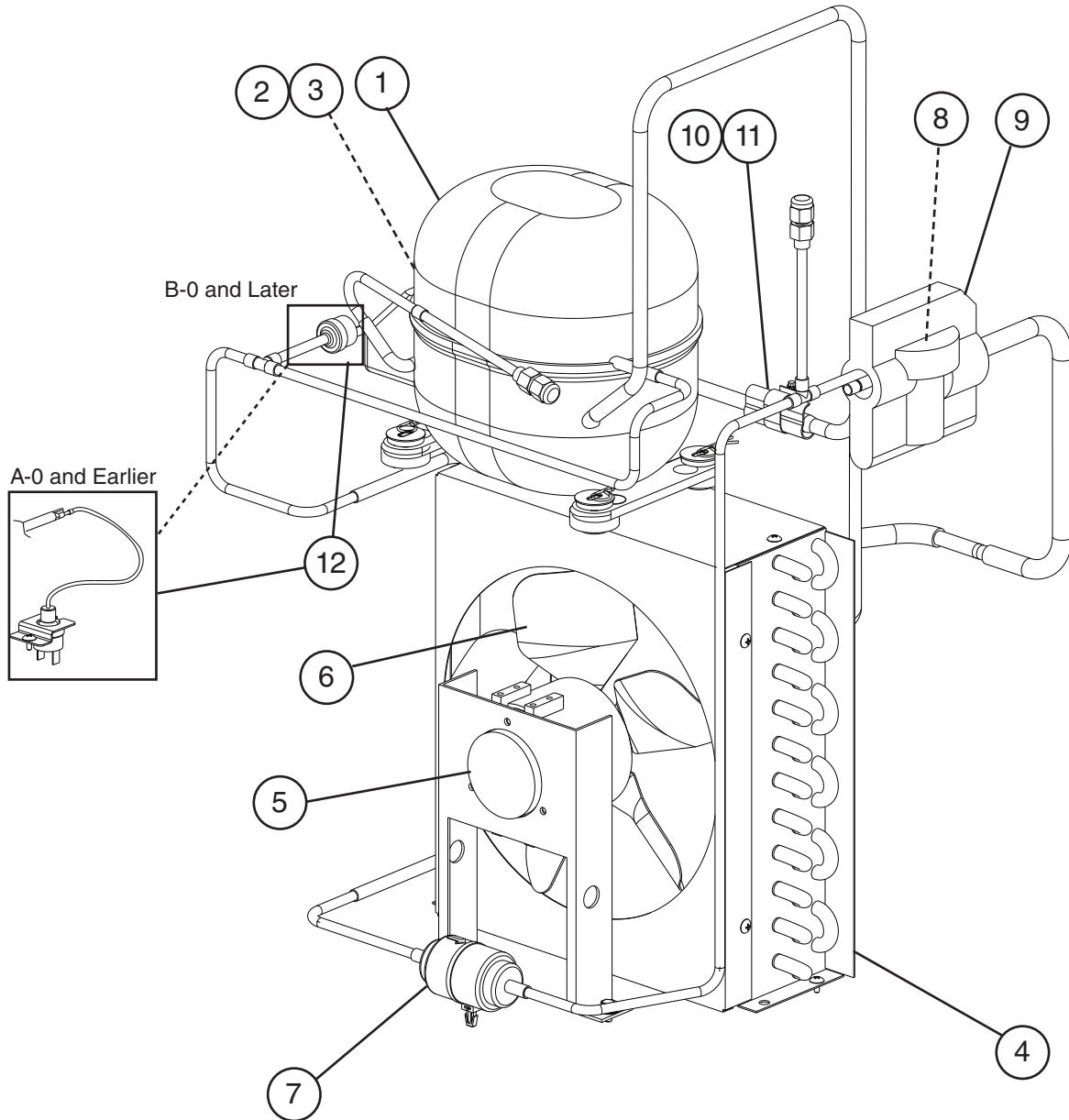
A. Main Assembly
DCM-270BAH-OS
P-1 to G-3



Title: A. Main Assembly Model: DCM-270BAH-OS

Index No.	Description	Material or Model Number	Part Number	Required Number									
				P-1 to Q-0 (E)	Q-0 (F) to S-0 (G)	S-0 (H) to U-0	U-1 to G-3						
1	Spout A		105409-01	1	1	1	1						
2	Spout B		105410-01	2	2	2	2						
2a	Thumbscrew		415949G08	2	2	2	2						
3	Grille		102936-04	1	1	1	1						
4	Top Panel		2A2916-01	1	1	1	1						
5	Gear Motor Drain Pan		3A0766G01	1	1	1	1						
6	Air Filter		208840G03	1	1	1	1						
7	Louver		103344-07	1	1	1	1						
8	Apron Panel		3A3609G01	1	1	1	1						
9	Ice Sensor		4A3753G03	1	1	1	1						
10	Water Sensor		4A3753G04	1	1	1	1						
11	Sensor Latch		4A3848-01		2	2	2						
11a	Thumbscrew		415949G10		2	2	2						
12	Power Switch		421491-08	1	1	1	-						
			421490-01				1						
13	Front Panel		3A2902-01	1	1	1	-						
			2A4714-01				1						
14	Left Panel		2A2919-01	1	1	1	-						
			2A5189-01				1						
15	Right Panel		2A2918-01	1	1	1	-						
			2A5190-01				1						
16	Power Cord		4A1773-01	1	1	1	1						
17	Adjustable Leg		4A2145-01	4	4	4	4						
18	Middle Front Frame - Painted		2A2928G01	1	1	-							
	Middle Front Frame		2A4263G01			1	-						
	Middle Front Frame A		2A5140G02				1						
19	Middle Front Frame B		3A5407G01				2						

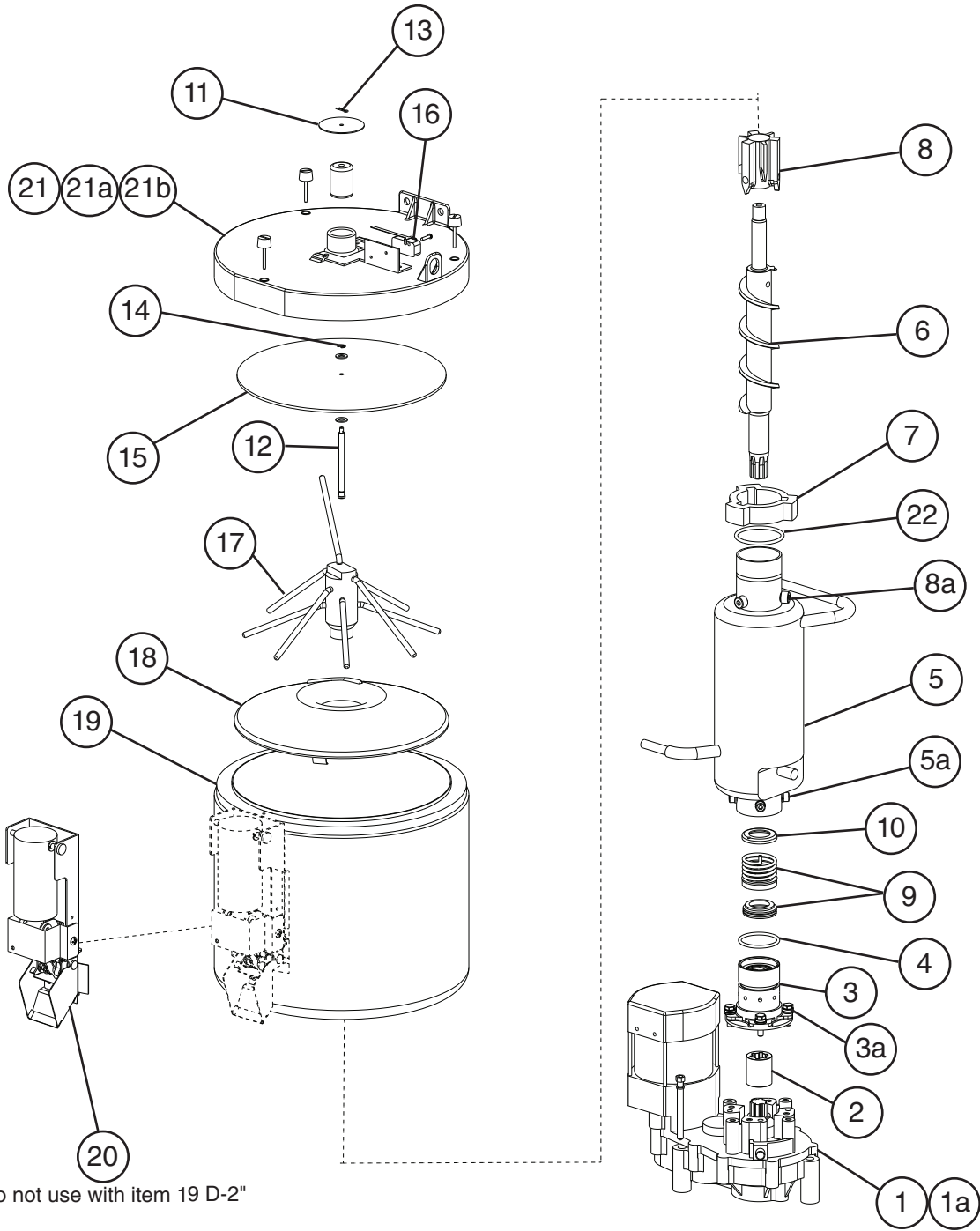
B. Refrigeration Circuit
DCM-270BAH-OS
P-1 to G-3



Title: B. Refrigeration Circuit Model: DCM-270BAH-OS

Index No.	Description	Material or Model Number	Part Number	Required Number									
				P-1 to T-0	T-1 to A-0	B-0 to G-3							
1	Compressor		4A2272-01	1	-								
			4A4614-01		1	1							
2	Protector		4A2272F03	1	-								
			4A4614F03		1	1							
3	Start Relay		4A2294-01	1	1	1							
4	Condenser		2A0780-01	1	1	1							
5	Fan Motor		4A0815-01	1	1	1							
6	Fan Blade		3A0608-01	1	1	1							
7	Drier		4A1113-01	1	1	1							
8	Thermostatic Expansion Valve		4A1117-01	1	1	1							
9	Thermostatic Expansion Valve Cover		4A1168-01	1	1	1							
10	Thermostatic Expansion Valve Bulb Holder		3A0107-01	1	1	1							
11	Clamp		443461-02	1	1	1							
12	High-Pressure Switch		433441-05	1	1	-							
			463180-05			1							

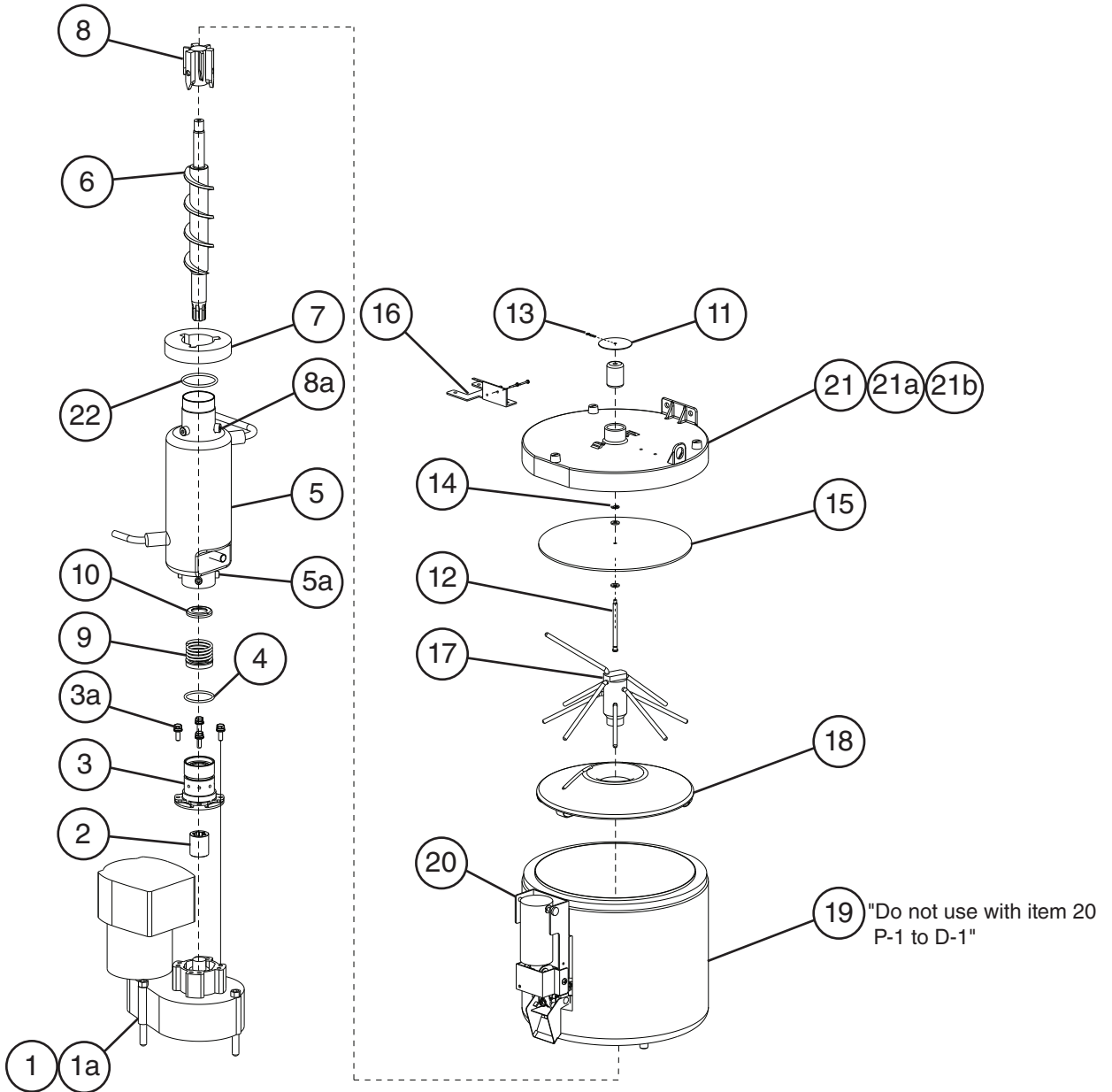
C. Icemaking Unit
DCM-270BAH-OS
1/2
 P-1 to D-1



C. Icemaking Unit DCM-270BAH-OS

2/2

D-2 to G-3



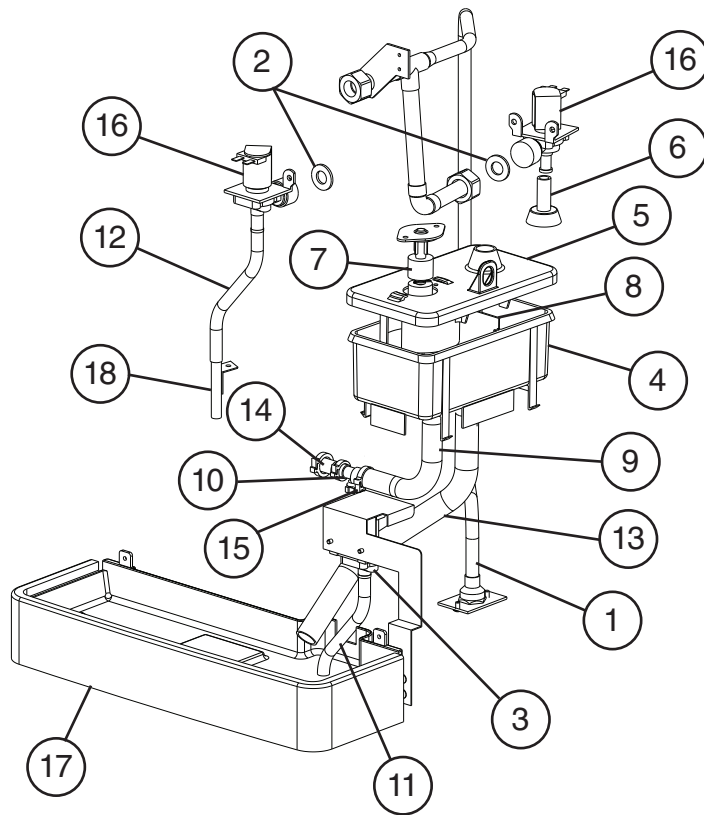
Title: C. Icemaking Unit Model: DCM-270BAH-OS

Index No.	Description	Material or Model Number	Part Number	Required Number									
				P-1 to V-1	V-2 to D-1	D-2 to G-0	G-1 to G-2	G-3					
1	Gear Motor		2U0147-01	1	1	1	1	1					
1a	Socket Head Cap Screw	6x10, SS	7S12-0890	3	3	3	3	3					
2	Spline Coupling		418316-01	1	1	1	1	1					
3	Housing		206013G03	1	1	1	-						
			383613G01				1	1					
3a	Hex Bolt	6x20	458660-01	1	1	1	1	1					
4	O-Ring		7616-G040	1	1	1	1	1					
5	Evaporator		332576G01	1	1	1	1	1					
5a	Socket Head Cap Screw	6x10, SS	7S12-0610	4	-								
			P01718-01		4	4	4	4					
6	Auger		361014G01	1	1	1	1	-					
			269910G01					1					
7	Upper Evaporator Casing Cover		413446-01	1	1	-							
			471716P01			1	1	1					
8	Extruding Head		327236G02	1	1	1	1	1					
8a	Seal Bolt		P01768-01	3	3	3	3	3					
9	Mechanical Seal		432491-01	1	1	1	1	1					
10	Ring		432494-01	1	1	1	1	1					
11	Small Balance Plate		465782-01	1	1	1	1	1					
12	Shaft		465781-01	1	1	1	1	1					
13	Snap Pin		715S-0004	1	1	1	1	1					
14	E-Ring		721S-0005	1	1	1	1	1					
15	Large Balance Plate		417473-02	1	1	1	1	1					
16	Microswitch		461294-01	1	1	1	1	1					
17	Agitator		348969G01	1	1	1	1	1					
18	Drip Ring		207754-03	1	1	1	1	1					
19	Storage Bin (Do not use aux. code D-2 and later with item 20 aux. code P-1 to D-1)		228516G07	1	1	-							
			253636G01			1	1	1					
20	Shutter Assembly (Do not use aux. code P-1 to D-1 with item 19 aux. code D-2 and later)		237274A02	1	1	-							
			121220A02			1	1	1					
21	Storage Bin Top Cover		240921A01	1	1	1	1	1					
21a	Thumbscrew		430825G01	3	3	3	3	3					
21b	Thumbscrew		415949G08	2	2	2	2	2					
22	O-Ring		7616-P048	1	1	1	1	1					

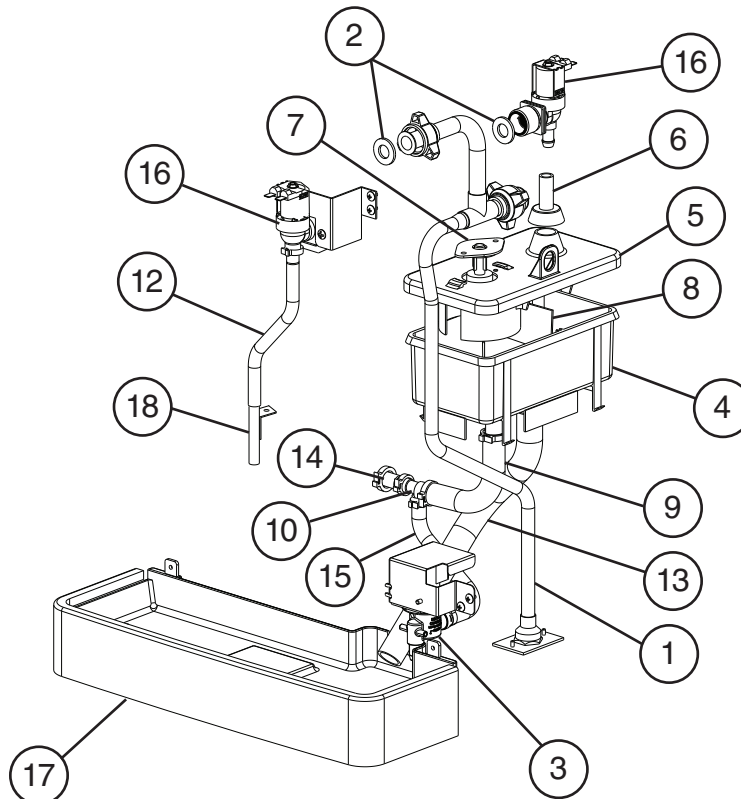
D. Water Circuit DCM-270BAH-OS

P-1 to G-3

S-0 (F) and Earlier



S-0 (G) and Later



Title: D. Water Circuit Model: DCM-270BAH-OS

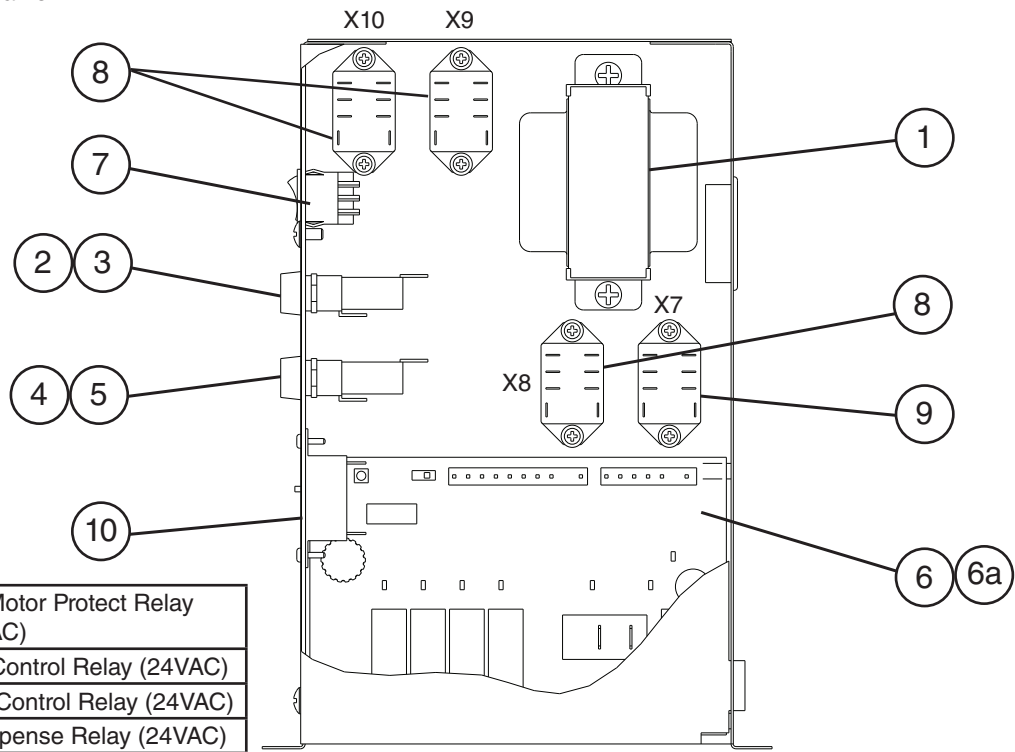
Index No.	Description	Material or Model Number	Part Number	Required Number									
				P-1 to S-0 (F)	S-0 (G) to U-0 (C)	U-0 (D-F)	U-1 to B-0	B-1 to G-3					
1	Water Supply Pipe		2A0787G01	1	-								
			2A4181G01		1	1	1	-					
			2A4181G02					1					
2	Rubber Washer		4A0867-01	2	2	2	2	-					
			413854-03					2					
3	Drain Valve		4A2772-01	1	1	1	1	1					
4	Reservoir		2A0753-01	1	1	1	1	1					
5	Reservoir Cover		214810-01	1	1	1	1	1					
6	Reservoir Inlet		4A0869-01	1	1	1	1	1					
7	Float Switch		435490-01	1	1	1	1	1					
8	Reservoir Separator		4A1255-01	1	1	1	1	1					
9	Reservoir Hose		4A1165-03	1	1	1	1	1					
10	Tee		4A1140-01	1	1	1	1	1					
11	Vinyl Hose	L=75 mm	7716-0913	1	1	1	-						
12	Vinyl Hose	L=215 mm	7725-0912	1	-								
		L=200 mm			1	1	1	1					
13	Vinyl Hose	L=280 mm	7725-1923	1	1	1	-						
		L=310 mm	7716-2025				1	1					
14	Silicone Hose	L=35 mm	7730-1114	1	1	1	1	1					
15	Silicone Hose	L=85 mm	773013896	1	1	-							
		L=90 mm				1	-						
		L=145 mm					1	1					
16	Inlet Water Valve/Dispense Water Valve		4A0865-01	2	2	2	2	-					
			4A5309-01					2					
17	Drain Pan		318857G04	1	1	1	1	1					
18	Water Supply Tube		4A3216G01	1	1	1	1	1					
Hose Clamps													
	Hose Clamp		4A2017-04	6	6	6	5	5					
	Hose Clamp		4A2017-05	2	2	2	2	2					
	Hose Clamp		4A2017-06	1	1	1	1	1					
	Hose Clamp		4A2017-07	1	1	1	1	1					

E. Control Box A

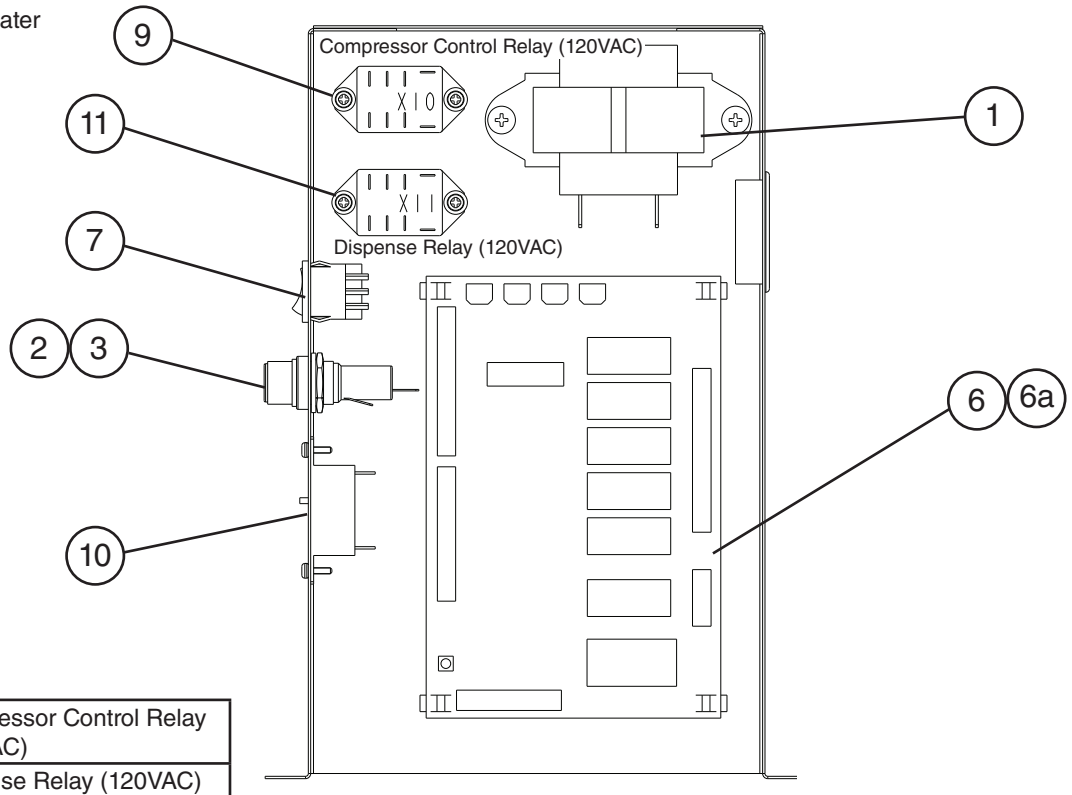
DCM-270BAH-OS

P-1 to G-3

C-0 and Earlier

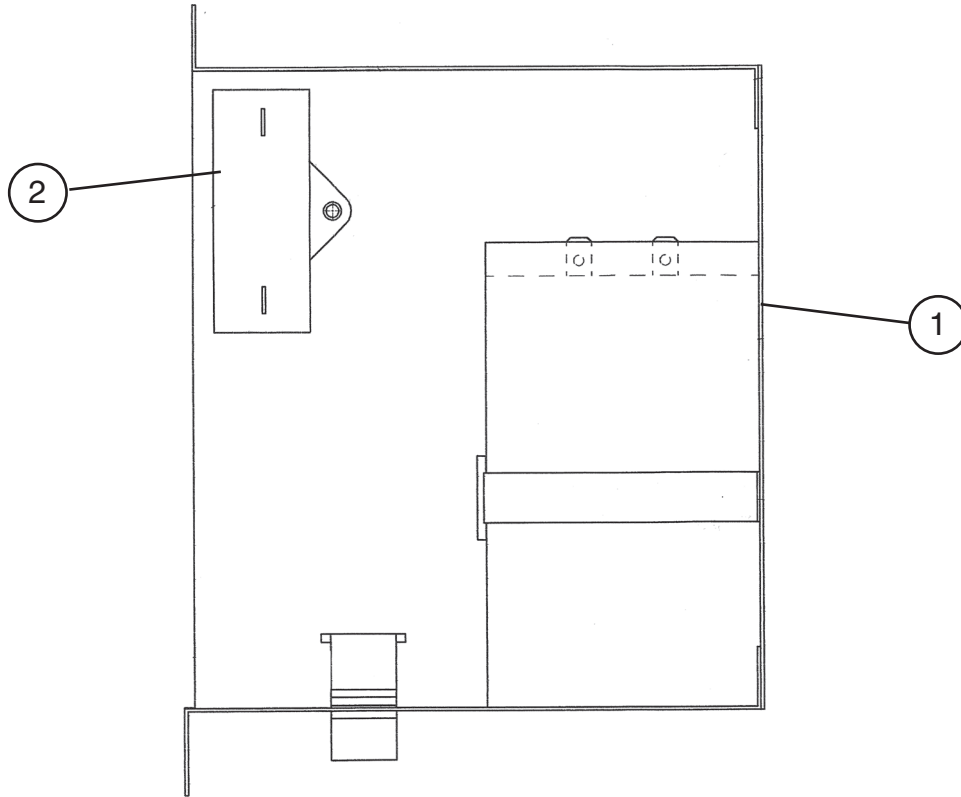


C-1 and Later



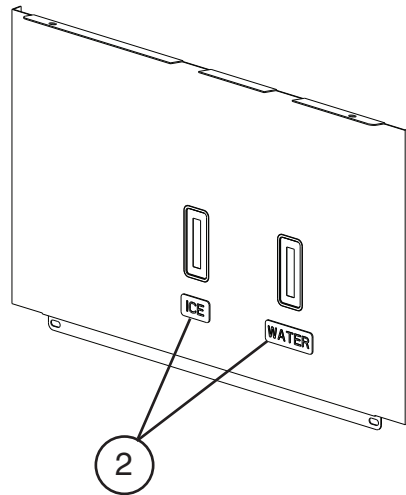
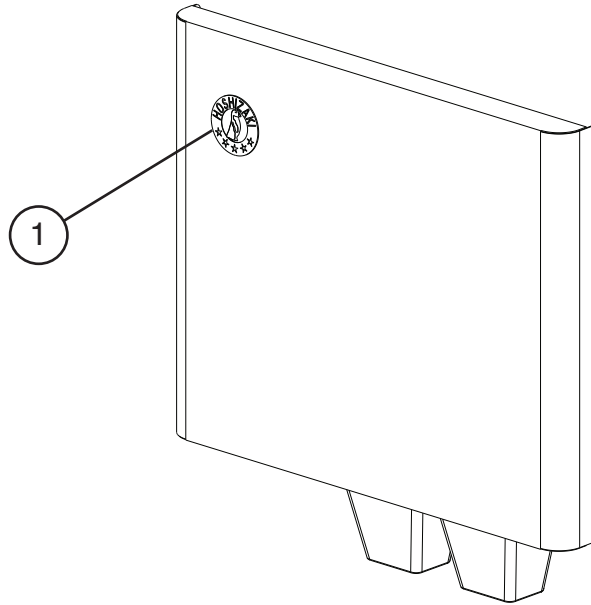
Title: E. Control Box A Model: DCM-270BAH-OS												
Index No.	Description	Material or Model Number	Part Number	Required Number								
				P-1 to U-0 (C)	U-0 (D) to V-4	A-0 to B-1	B-2 to C-0	C-1 to G-3				
1	Control Transformer		2U0042-02	1	1	1	-					
			3A6652-01				1	-				
			4A0557-01					1				
2	Fuse Holder		4A0892-01	1	1	-						
			4A3449-01			1	1	-				
			4A5443-01					1				
3	Fuse	AGC-1A, 250VAC	4A0893-01	1	1	1	1	1				
4	Fuse Holder		4A0892-02	1	1	-						
			4A3449-02			1	-					
			4A5443-01				1	-				
5	Fuse	AGC-500mA, 250VAC	4A0893-02	1	1	1	1	-				
6	Control Board	Timer Board -OS	2A2867-01	1	1	1	1	-				
		Control Board	2A8054-01					1				
6a	Control Board Support		4A0336-03	4	4	4	4	4				
7	Control Switch		4A1034-01	1	1	1	1	1				
8	Relay (X8, X9, X10)	24VAC	406132-03	3	3	3	3	-				
9	Relay (X7 P-1 to C-0) (X10 C-1 and later)	120VAC	418271-03	1	1	1	1	1				
10	Gear Motor External Protector	GMD-1.6A, 120VAC Slow Blow	427253-01	1	1	1	1	1				
11	Dispense Relay (X11)	120VAC	406132-07					1				

F. Control Box B
DCM-270BAH-OS
P-1 to G-3



Title: F. Control Box B Model: DCM-270BAH-OS										
Index No.	Description	Material or Model Number	Part Number	P-1 to G-3	Required Number					
1	Start Capacitor	145-174MFD, 250VAC	3A0076-01	1						
2	Gear Motor Capacitor	10MFD, 280VAC	416921-05	1						

G. Accessories & Labels
DCM-270BAH-OS
 P-1 to G-3



Title: G. Accessories & Labels Model: DCM-270BAH-OS										
Index No.	Description	Material or Model Number	Part Number	Required Number						
				P-1 to G-3						
1	Penguin Label		47552L02	1						
2	Ice/Water Label		4A2954-01	1						