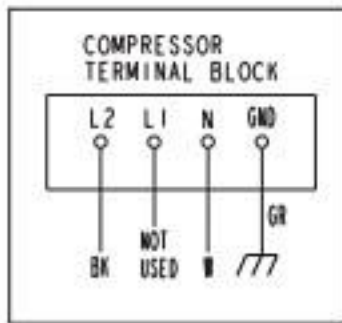


** Defrost Thermostat	
Cut-out	120°F±5°F (49°C±3°C)
Cut-in	70°F±5°F (21°C±3°C)



CTB = COMPRESSOR TERMINAL BLOCK	
L1	NOT USED
L2	LINE
N	NEUTRAL
⏏	GROUND

- WIRE COLOR CODE
- BK BLACK
  - BR BROWN
  - DBU DARK BLUE
  - GR GREEN
  - GY GRAY
  - LBU LIGHT BLUE
  - O ORANGE
  - P PINK
  - R RED
  - V VIOLET
  - W WHITE
  - Y YELLOW

* High-Pressure Switch	
Cut-out	300±10 PSIG
Cut-in	190±20 PSIG

COMP. START CAP. TABLE	
MODEL	START CAP.
CPT46-D	270/327 MFD 165 VAC
CPT67-D CPT93-D	378/454 MFD 115 VAC

