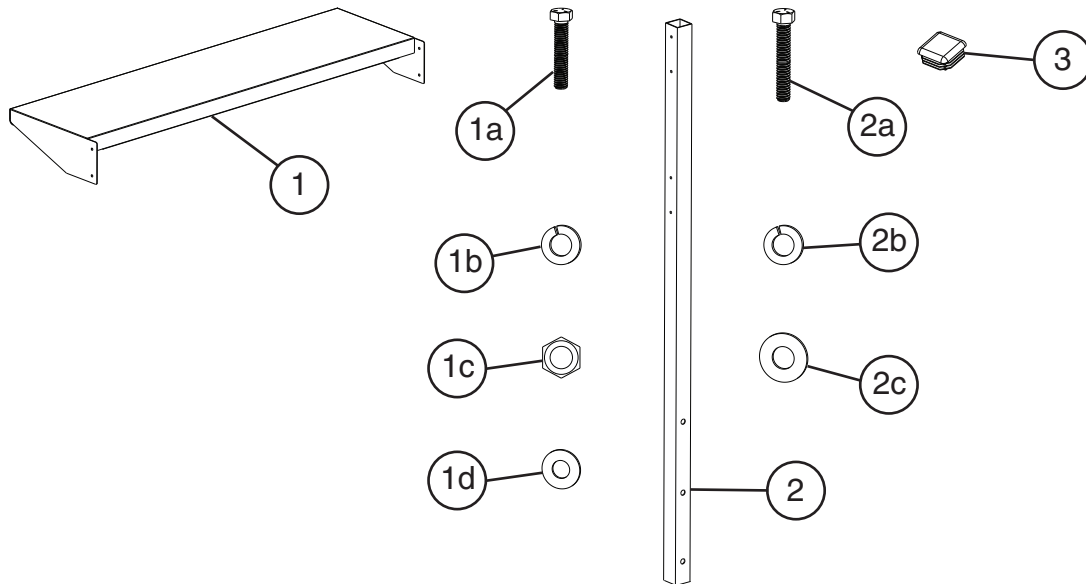


Commercial Undercounter, Worktop, and Prep Table Overshelf Kit
HS-5163, HS-5164, HS-5165, HS-5166, HS-5172, HS-5173, HS-5174, HS-5175, HS-5236, HS-5237
For Use with Hoshizaki Commercial Series Undercounter/Worktop/Prep Table Models

Check to ensure that all parts are included:

Index No.	Description	Part Number	Single Shelf HS Kit	Qty	Double Shelf HS Kit	Qty
1	Overshelf	2A7365-01	HS-5172 (27)	1	HS-5163 (27)	2
		2A7365-07	HS-5237 (36)		HS-5236 (36)	
		2A7365-02	HS-5173 (48)		HS-5164 (48)	
		2A7365-03	HS-5174 (60)		HS-5165 (60)	
		2A7365-04	HS-5175 (72)		HS-5166 (72)	
1a	Hex Head Bolt - (6x50 mm)	7B02-0650	All	4	All	8
1b	Lock Washer	7L22-0600		4		8
1c	Hex Nut	7N12-0600		4		8
1d	Flat Washer	7W22-0600		4		8
2	Square Tube	4A5733-01		2		2
2a	Hex Head Bolt - (6x60 mm)	7B02-0660		6		6
2b	Lock Washer	7L22-0600		6		6
2c	Flat Washer	4A0198-03		18		18
3	Square Tube Cap	4A5862-01		2		2



⚠ WARNING

- This appliance should be repaired only by qualified service personnel to reduce the risk of death, electric shock, serious injury, or fire.
- No installation or service should be undertaken until the technician has thoroughly read these instructions. Failure to install this kit in accordance with these instructions will adversely affect safety, performance, component life, and warranty coverage.
- To reduce the risk of electric shock, do not touch the plug with damp hands. Unplug the appliance before servicing.
- Maximum load per shelf:

Total Maximum Weight Per Shelf				
27	36	48	60	72
75 lb. (34 kg)	97 lb (44 kg)	130 lb. (58 kg)	165 lb. (74 kg)	200 lb. (90 kg)

- Use care when stacking product on the shelves to prevent items from falling.
- Do not climb, stand, or hang on the appliance, drawers, or shelves. Death or serious injury could occur or the appliance could be damaged.

Installation Instructions

- 1) Unplug the appliance from the electrical outlet, then access the rear of the appliance.
- 2) Using the hex head bolts (2a), flat washers (2c), and lock washers (2b) provided, secure the square tube to the rear panel. See Fig. 1. Snug, but do not tighten, the hardware.

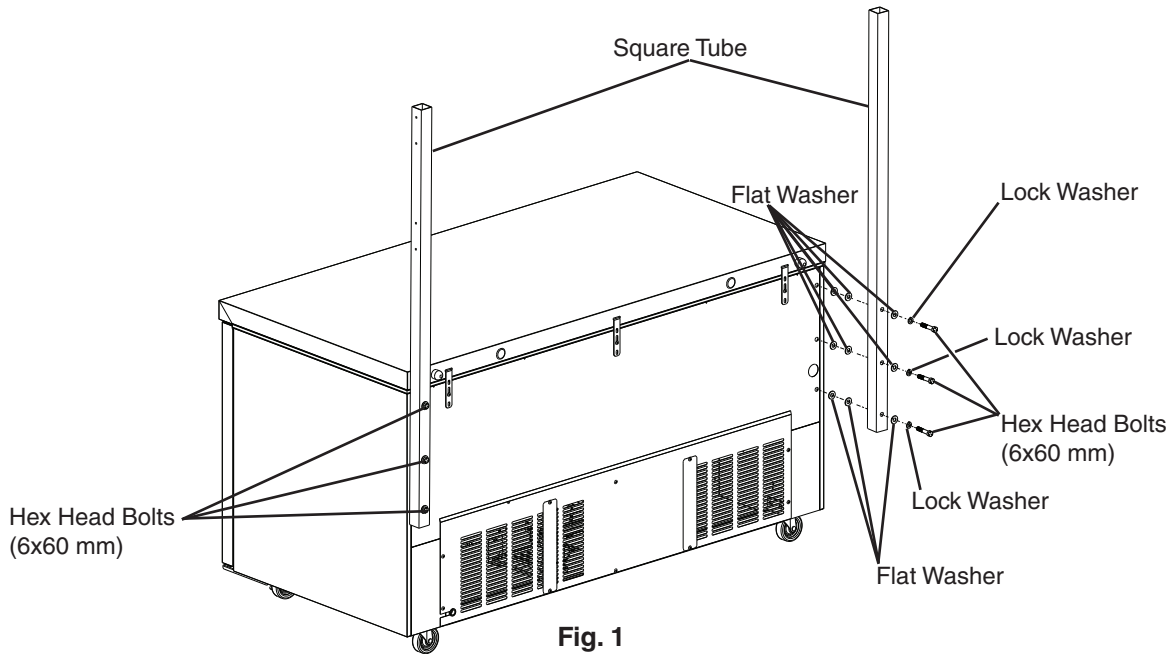


Fig. 1
Model Shown: CRMR60

- 3) **WARNING! Tip hazard. Shelves must face forward.** With the help of an assistant, place a single overshelf in position onto the square tube. Using the hex head bolts (1a), flat washers (1d), hex nuts (1c), and lock washers (1b) provided, secure and tighten the overshelf to the outside of the square tube. See Fig. 2. For double shelf kits, repeat step 3 to install the second overshelf.
- 4) Insert the square tube caps into place.
- 5) Tighten the hex head bolts securing the square tube to the rear panel.

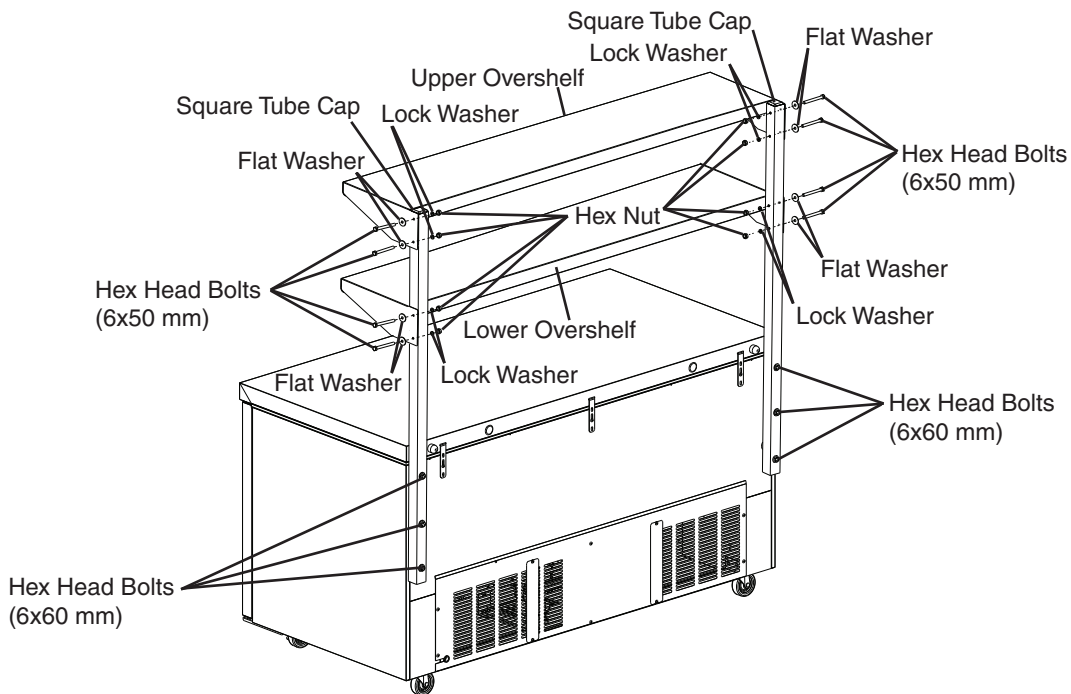


Fig. 2
Model Shown: CRMR60

- 6) Place the appliance back in its original position, then plug the appliance back into the electrical outlet.
- 7) Allow the appliance to cool down prior to loading it with food products.