

# Hoshizaki Heated Condensate Pan Kit

## HS-5453

For Use with the Following Commercial and Steelheart Series:

A. CPT and PR Models: 46, 67, and 93

B. Freezer and Prep Table Models: 48, 60, and 72

Check to ensure that all parts are included:

Index No.	Description	Part Number	Qty	Index No.	Description	Part Number	Qty
1	Heated Condensate Pan	3B0185-01	1	5	Condensate Drain Hose	4A0658L01	1
2	Condensate Pan Bracket	2A9087-01	1	6	Nylon Ties	8911-0200	4
3	Wire Harness Receptacle	4A6049-01	1	7	Bell Connector	8101-14CE	3
4	Self-Drilling Hex Screw	7B03I1210	4	8	Wiring Label	3B0188-01	1

### ⚠ WARNING

- Only qualified service technicians should install and service the appliance to reduce the risk of death, electric shock, serious injury, or fire.
- No installation or service should be undertaken until the technician has thoroughly read these instructions. Failure to follow these instructions will adversely affect safety, performance, component life and warranty coverage, and may result in costly water damage.
- See the instruction manual included with the appliance for installation instructions and safety information not covered in this instruction sheet. If an instruction manual is not available, visit [www.hoshizaki.com](http://www.hoshizaki.com) or contact your Hoshizaki distributor.
- Appliance is heavy. Use care when lifting or positioning. Work in pairs when needed to prevent injury or damage.
- To reduce the risk of electric shock, do not touch the plug with damp hands. Unplug the appliance from the electrical outlet before servicing.
- Protect the floor when moving the appliance to prevent damage to the floor.
- Wear proper personal protection equipment (PPE) when executing these procedures.

#### A. Installation Instructions for CPT and PR Models

- 1) On existing models, unplug the appliance from the electrical outlet, then remove all product from the appliance.
- 2) Move the appliance out to access the rear of the appliance, then lock the casters.
- 3) On new appliance installation, from the instruction manual, follow and complete all of the installation instructions up to section "II.E. Door/Drawer Reversal".
- 4) Remove the front, left side, and rear louver panels. See Fig. 1. Next, remove the current condensate pan and condensate pan brackets as shown in Fig. 2 and discard, then remove the condensate drain hose. Note: Remove elbow from condensate drain hose for re-use, then discard condensate hose.

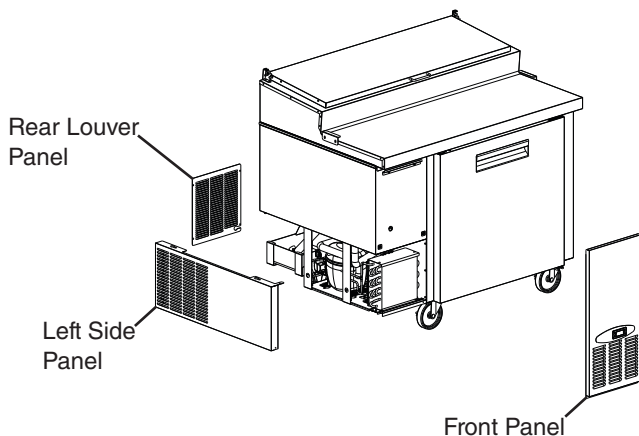


Fig. 1

Model Shown: PR46A

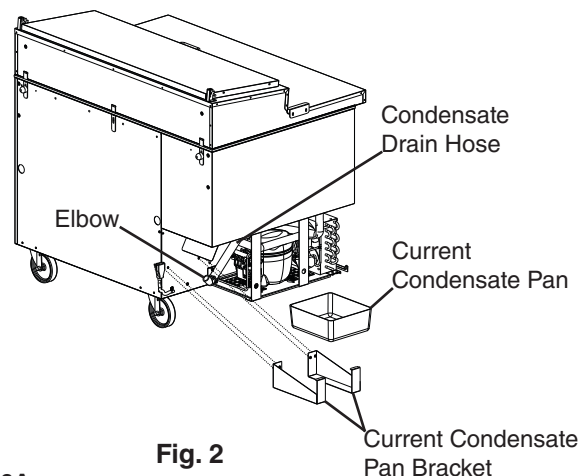
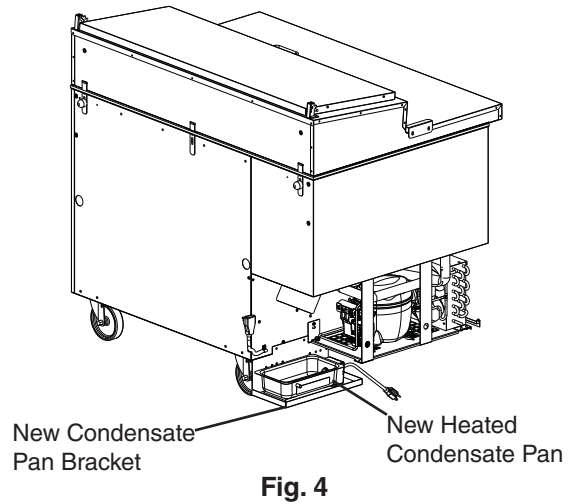
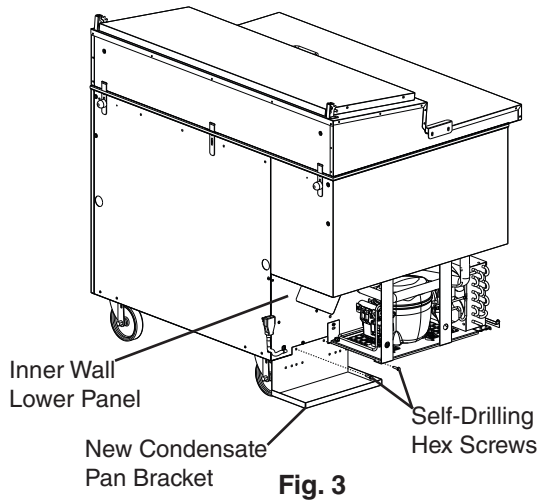


Fig. 2

5) Secure the new condensate pan bracket provided in this kit, with the self-drilling hex screws provided in this kit to the inner wall of the lower panel. See Fig. 3.

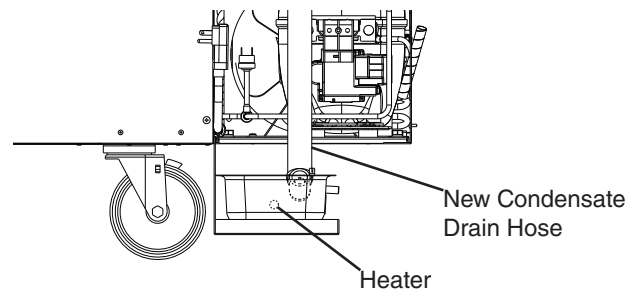
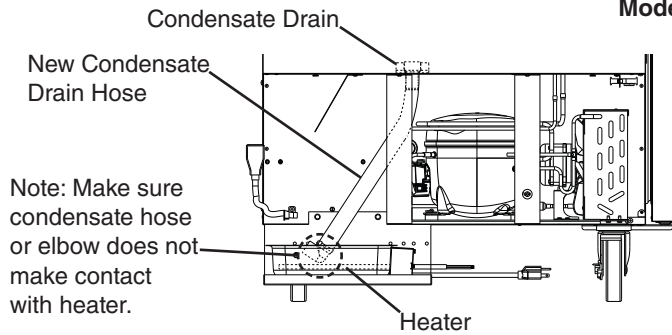
6) Place the new heated condensate pan on the base of the new condensate pan bracket. See Fig. 4.



**Model Shown: PR46A**

7) Place the new condensate drain hose over the condensate drain. See Fig. 5. Note: When placing the new condensate drain hose into position, be sure that the elbow nor the new condensate drain hose make contact with the heater. (Adjust as necessary).

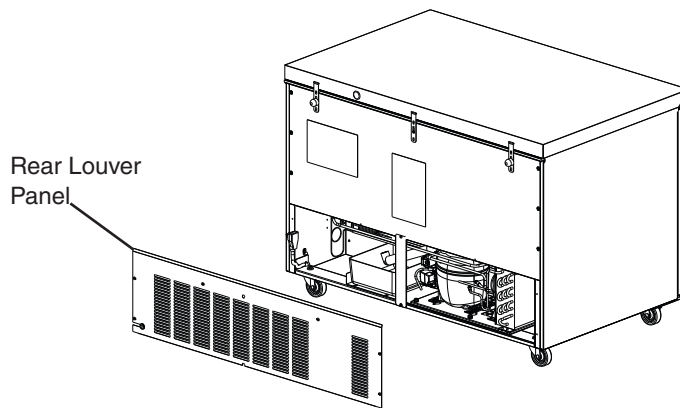
**Model Shown: PR46A**



**Fig. 5**

### **B. Installation Instructions for Freezer and Prep Table Models**

- 1) On existing models, unplug the appliance from the electrical outlet, then remove all product from the appliance.
- 2) Move the appliance out to access the rear of the appliance, then lock the casters.
- 3) On new appliance installation, from the instruction manual, follow and complete all of the installation instructions up to section "II.F. Glass Door Reversal".
- 4) Remove the rear louver panel. See Fig. 6.



**Fig. 6**

**Model Shown: UF48A**

5) Next, remove the current condensate pan (if applicable) and condensate pan brackets (if applicable), and discard. See Fig. 7.

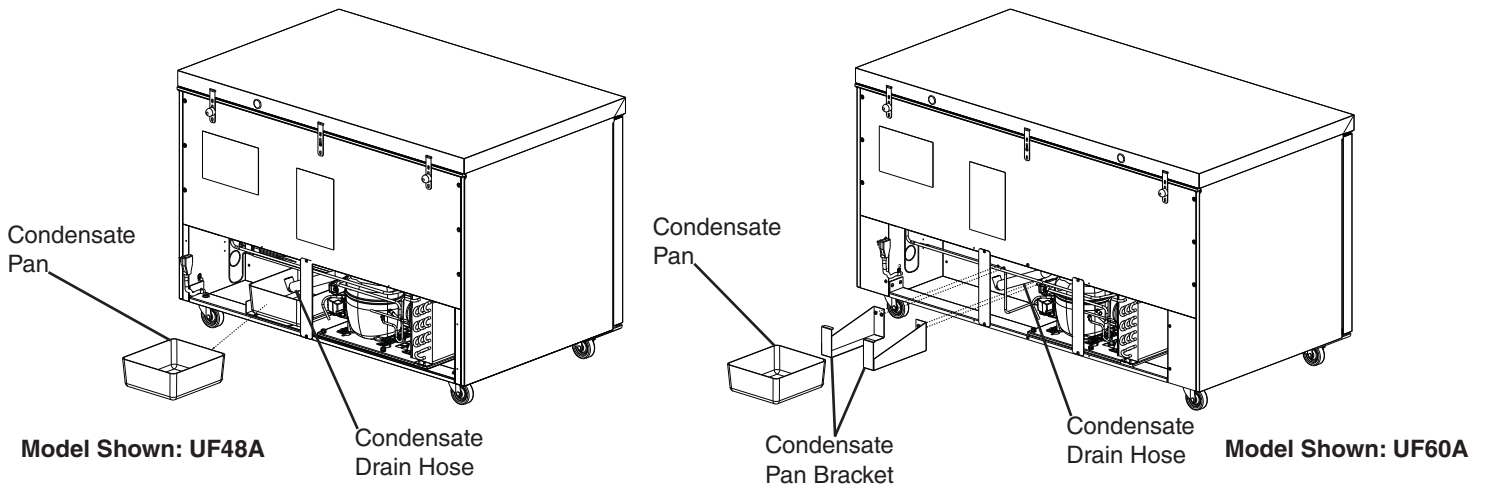


Fig. 7

**Specific Instructions for Models: UF48A and WF48A**

6) Remove the truss head screw securing the blocking panel to the bottom panel. See Fig. 8. Next, place and level the condensate pan bracket on the blocking panel, then using the self-drilling hex screws provided in this kit, secure the condensate pan bracket provided in this kit to the bottom panel as shown in Fig. 9. Note: Verify that the condensate pan bracket is level. (Adjust as necessary).

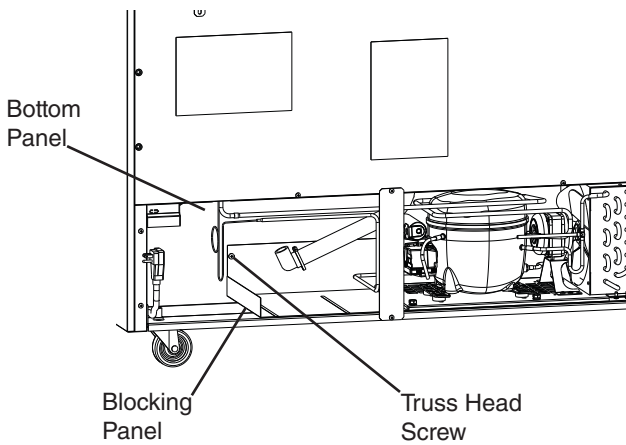


Fig. 8

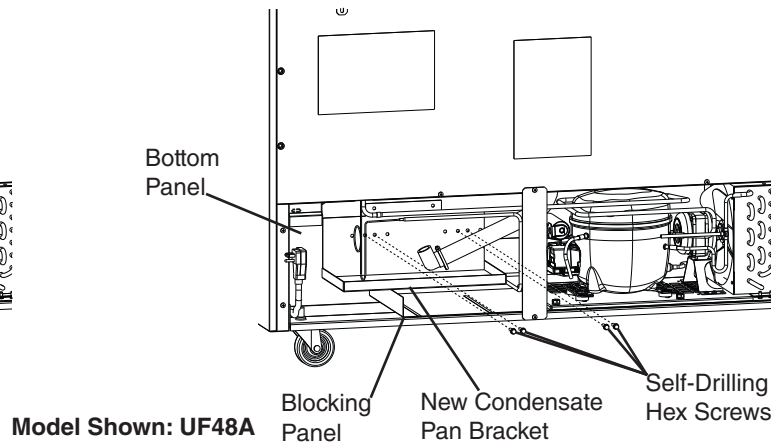


Fig. 9

**Specific Instructions for Freezer and Prep Table Models (Except UF48A and WF48A Models)**

6) Using the self-drilling hex screws, secure the condensate pan bracket to the mounting holes on the bottom panel. See Fig. 10.

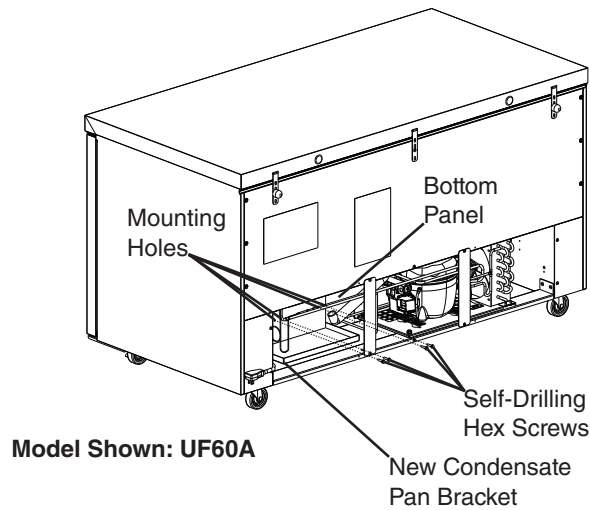


Fig. 10

- 7) Place the new heated condensate pan on the base of the new condensate pan bracket. See Fig. 11. Note: When placing the heated condensate pan into position, be sure that the elbow nor the new condensate drain hose make contact with the heater. See Fig. 12. (Adjust as necessary).

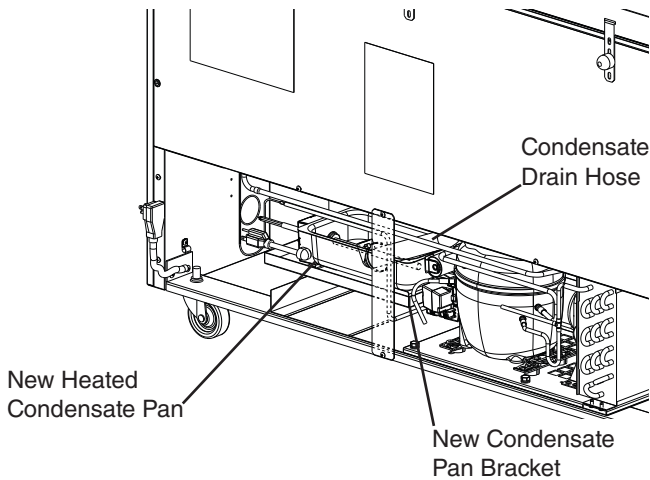


Fig. 11

Model Shown: UF48A

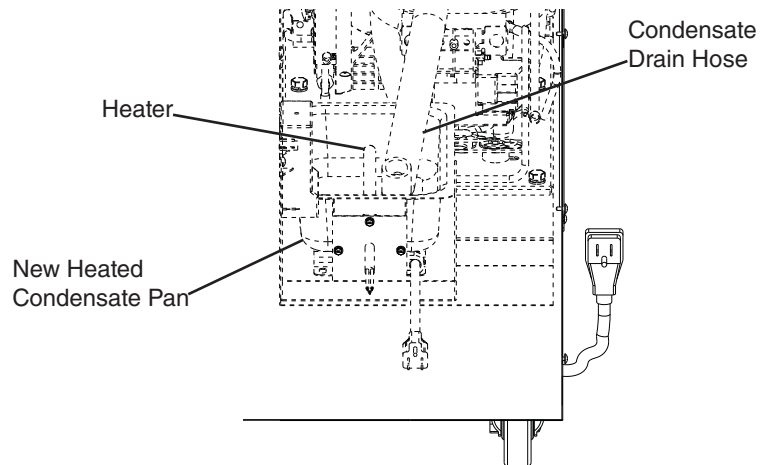


Fig. 12

### C. Wiring Instructions

If the condensate pan heater wire harness receptacle is already installed skip to step 15. Otherwise, continue to step 8.

- 8) Locate and remove the folded plastic sleeve to gain access to the wires and bell connectors. See Fig. 13.

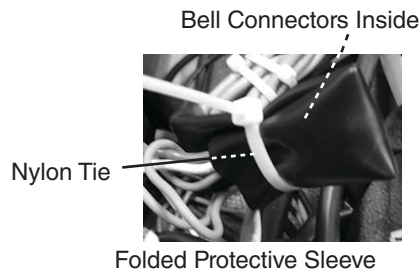


Fig. 13

- 9) Confirm the appliance is unplugged from the electrical outlet. Next, locate the power supply neutral white (W) wire. Leaving plenty of slack, cut the power supply neutral white (W) wire.
- 10) Strip both ends of the power supply neutral white (W) wire cut in step 9 a 1/4" (6.35 mm) back from the ends. Place the wire harness receptacle provided in this kit, white (W) wire and the 2 power supply neutral white (W) wires just cut and stripped, in a bell connector provided in this kit, and tighten. See Fig. 14.
- 11) Next, locate the power supply black (BK) wire. Leaving plenty of slack, cut the power supply black (BK) wire.
- 12) Strip both ends of the power supply black (BK) wire cut in step 11 a 1/4" (6.35 mm) back from the ends. Place the wire harness receptacle black (BK) wire and the 2 power supply black (BK) wires just cut and stripped, in a bell connector, and tighten.

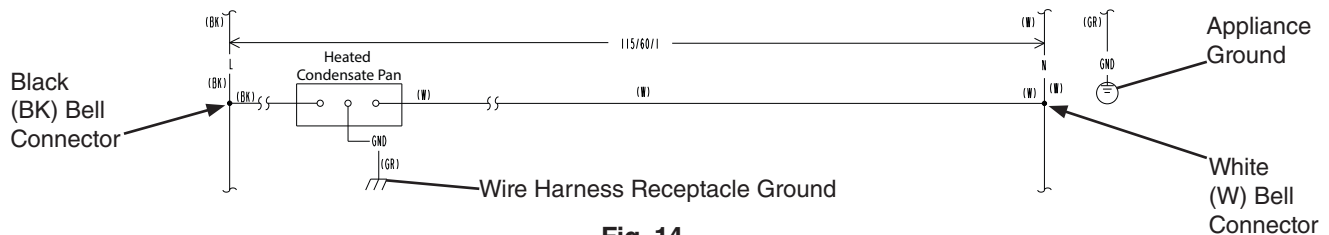


Fig. 14

- 13) Attach and secure the wire harness receptacle ground green (GR) wire to the appliance ground screw. See Fig. 15. **WARNING! Make sure grounding wires are attached and secure.**

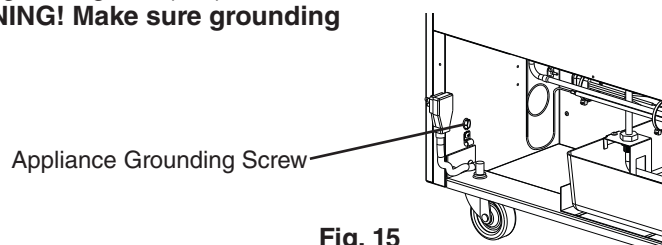


Fig. 15

14) Slide the bell connectors into the protective sleeve removed in step 8, then fold the protective sleeve and secure using a nylon tie provided in this kit. See Fig. 16.



Fig. 16

15) Remove the wire harness receptacle cap, then plug the heated condensate pan power cord into the wire harness receptacle. See Fig. 17. Secure the heated condensate pan power cord to the appliance main power cord with a nylon tie.

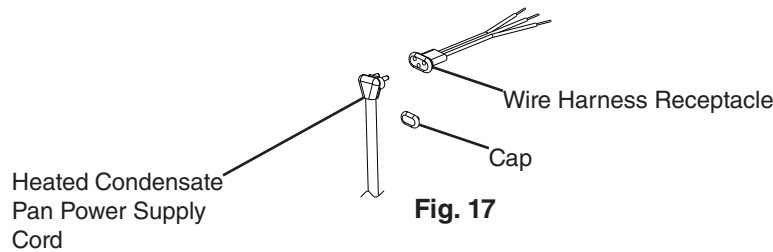


Fig. 17

- 16) Place the wiring label provided in this kit, near the wiring label on the appliance. See Fig. 18. **Warning! Confirm that nothing is in contact with the condensate pan heater.**
- 17) Plug the appliance into the electrical outlet to start the refrigeration process. Do not load product at this time. **Warning! Condensate pan heater is energized and heating up as soon as the appliance is plugged into the electrical outlet. Do not touch.**
- 18) Once plugged in, check the amp draw of the new condensate pan heater.  
Note: The condensate pan heater amperage at 115VAC is 2.2A maximum (starting) and 0.3A minimum (A few min. after startup).
- 19) Replace all panels in their correct positions.

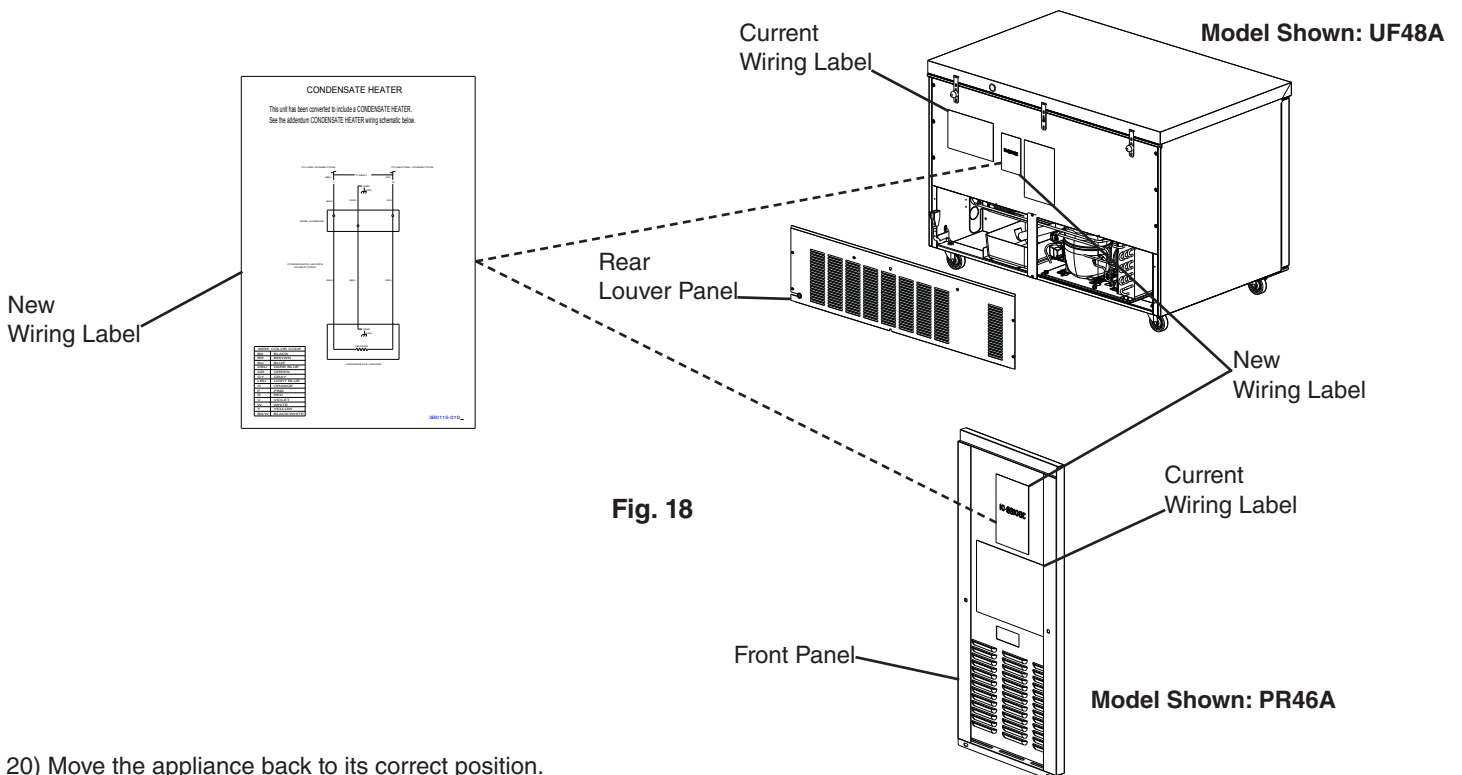


Fig. 18

- 20) Move the appliance back to its correct position.
- 21) Allow the appliance to cool to set point before putting product back in.