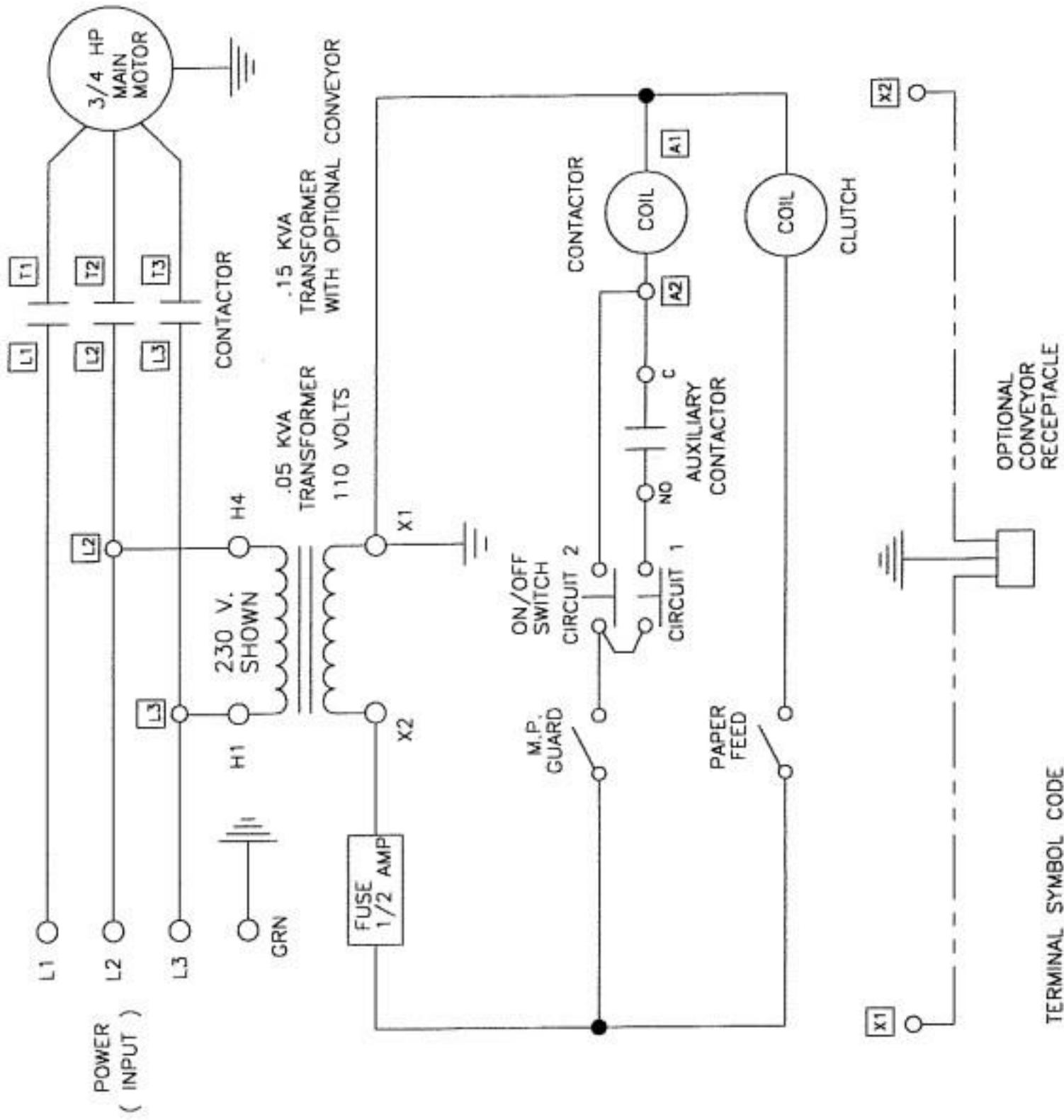


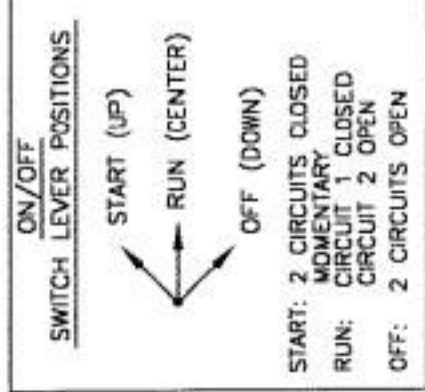
# ELECTRICAL SCHEMATIC DIAGRAM

200 V.A.C., 3 PH., 60 HZ  
 230 V.A.C., 3 PH., 60 HZ  
 380 V.A.C., 3 PH., 50 HZ



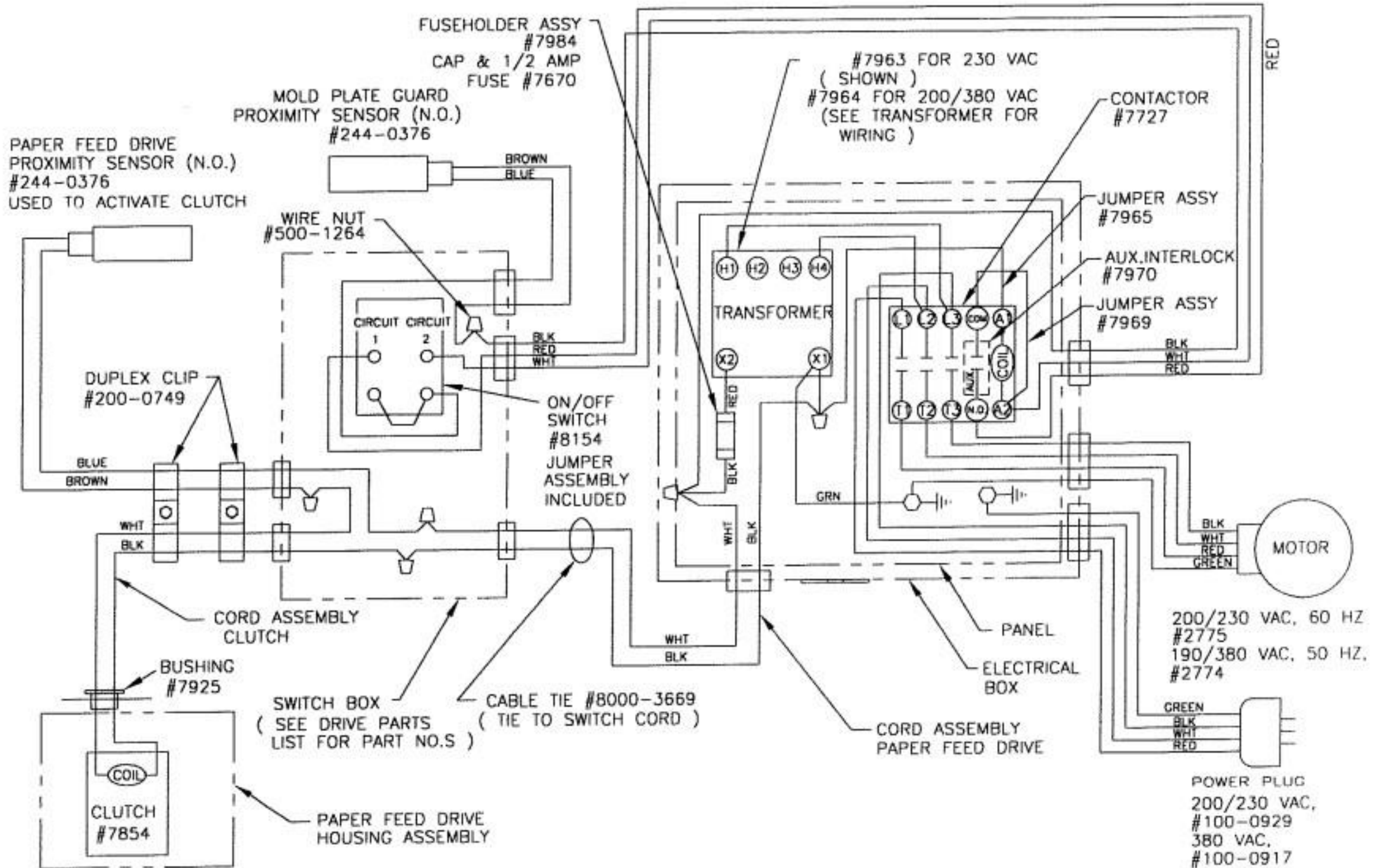
TERMINAL SYMBOL CODE

- ON COMPONENT
- WIRE NUT
- WIRE NUT



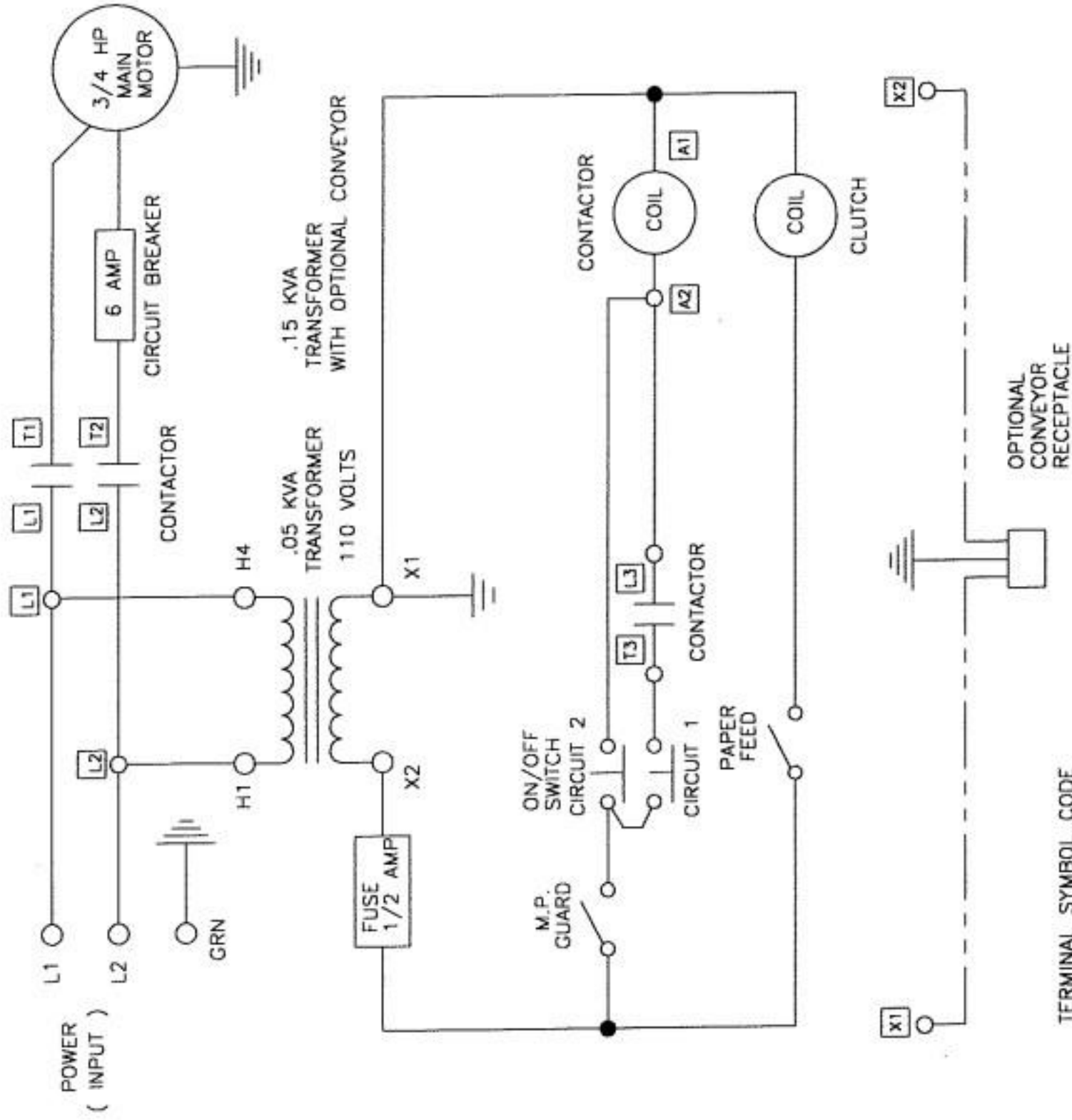
# ELECTRICAL DIAGRAMS

200 V.A.C, 3 PH., 60 HZ  
 230 V.A.C, 3 PH., 60 HZ  
 380 V.A.C, 3 PH., 50 HZ



# ELECTRICAL SCHEMATIC DIAGRAM

230 V.A.C., 1 PH., 60 HZ  
 220 V.A.C., 1 PH., 50 HZ



TERMINAL SYMBOL CODE

□ ON COMPONENT  
 ○

● WIRE NUT

ON/OFF SWITCH LEVER POSITIONS

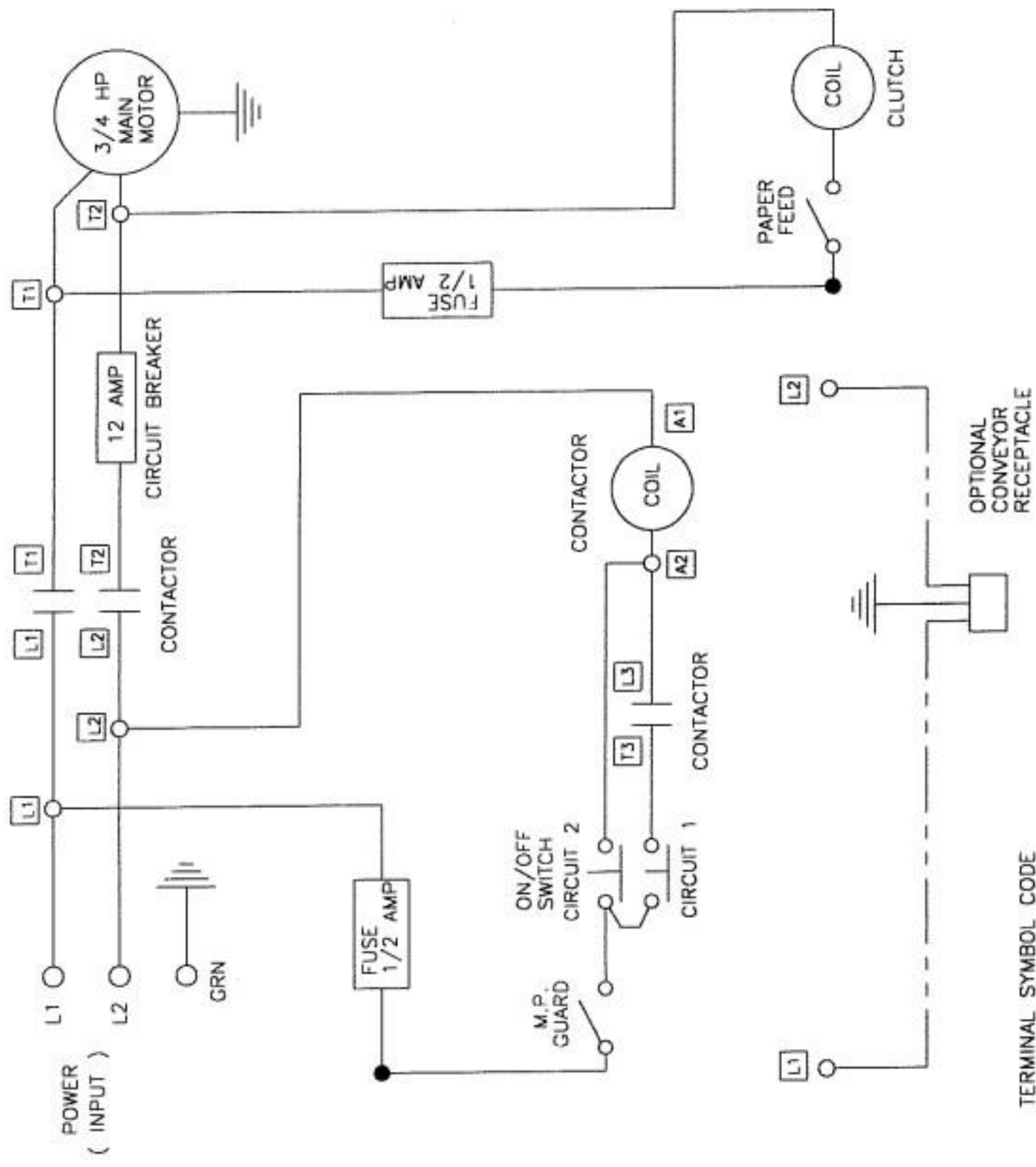
START (UP)  
 RUN (CENTER)  
 OFF (DOWN)

START: 2 CIRCUITS CLOSED  
 MOMENTARY  
 CIRCUIT 1 CLOSED  
 CIRCUIT 2 OPEN  
 OFF: 2 CIRCUITS OPEN



# ELECTRICAL SCHEMATIC DIAGRAM

115 V.A.C. 1 PH., 60 HZ  
110 V.A.C. 1 PH., 50 HZ



TERMINAL SYMBOL CODE

- ON COMPONENT
- WIRE NUT
- WIRE NUT

**ON/OFF SWITCH LEVER POSITIONS**

START: 2 CIRCUITS CLOSED  
MOMENTARY  
RUN: CIRCUIT 1 CLOSED  
CIRCUIT 2 OPEN  
OFF: 2 CIRCUITS OPEN

# ELECTRICAL DIAGRAMS

115 V.A.C, 1 PH., 60 HZ  
110 V.A.C, 1 PH., 50 HZ

