



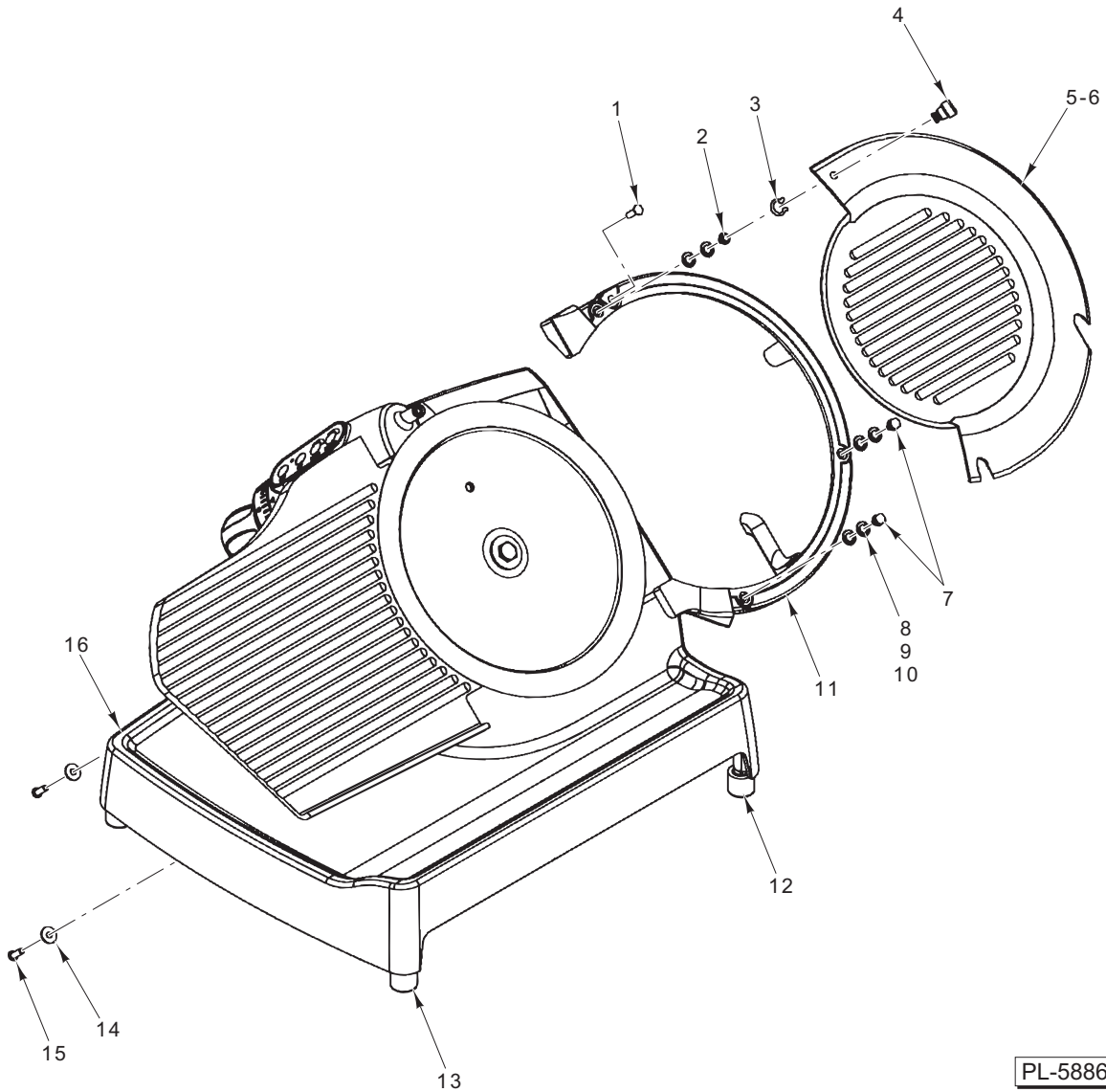
# CATALOG OF REPLACEMENT PARTS



## X33AE SLICER

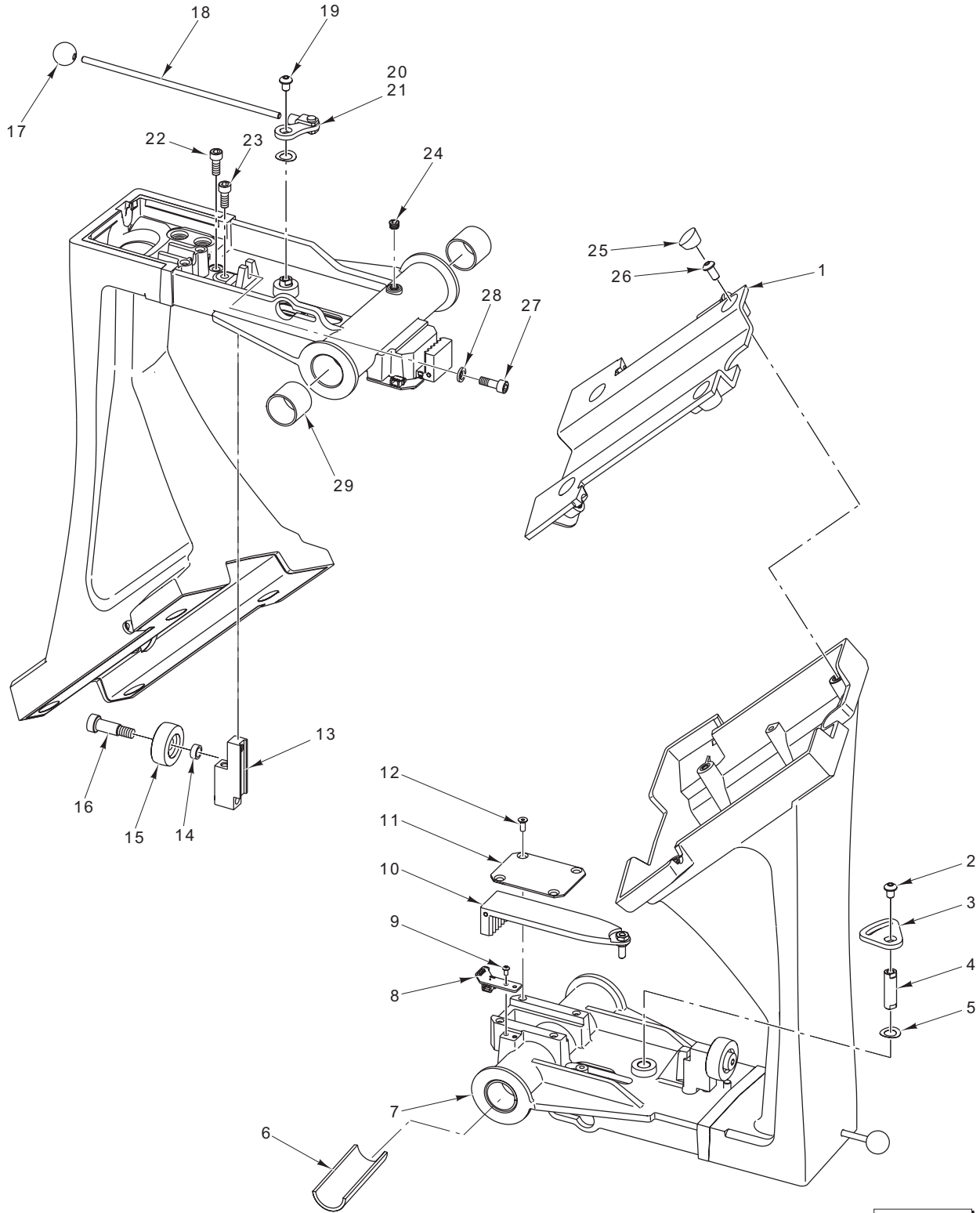
### Table Of Contents

3	RING GUARD AND CENTER PLATE
5	ARM ASSEMBLY
7	GAUGE PLATE ASSEMBLY
9	AUTODRIVE ASSEMBLY
10	PRODUCT TABLE
11	KNIFE AND MOTOR ASSEMBLY
13	KNIFE SHARPENER UNIT
15	BOTTOM COVER AND KICKSTAND



**RING GUARD AND CENTER PLATE**

ILLUS.	PART NO.	NAME OF PART	AMT.
PL-58860			
1	01-402175-00529	Screw Flat Hd. ....	1
2	01-403375-01391	Stud – Post .....	1
3	01-402275-00608	Ring – Retaining .....	1
4	01-403375-01392	Knob .....	1
5	01-404675-01144	Center Plate Assy. (Incls. Items 3, 4, & 6).....	1
6	01-403775-00499	Center Plate – Solid.....	1
7	01-403375-01388	Shoulder Stud .....	2
8	01-403275-00237	Shim (1.0 mm) .....	AR
9	01-403275-00238	Shim (0.5 mm) .....	AR
10	01-403275-00241	Shim (0.3 mm) .....	AR
11	01-403775-00497	Ring Guard .....	1
12	01-403875-00249	Foot (Suction) .....	4
13	01-403875-00239	Foot.....	4
14	01-402275-00586	Washer.....	2
15	01-402175-02867	Screw – Button Soc. Hd.....	2
16	01-403875-00171	Base.....	1

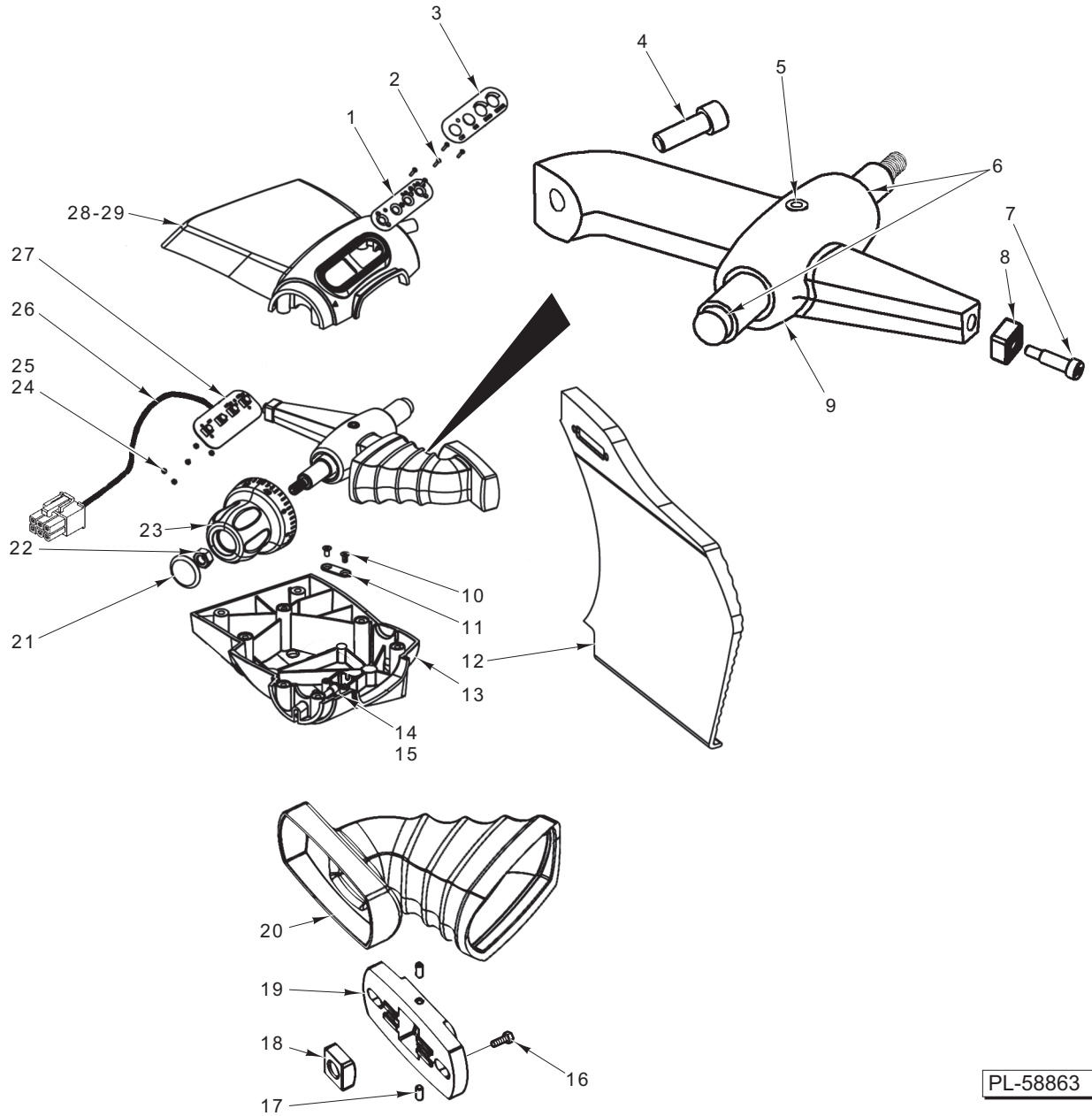


PL-58857

**ARM ASSEMBLY**

## ARM ASSEMBLY

ILLUS. PL-58857	PART NO.	NAME OF PART	AMT.
1	01-403875-00250	Top Plate Assy.....	1
2	01-402175-02862	Cap Screw Socket Button Hd. ....	1
3	01-403475-01021	Cam – Autodrive Clutch .....	1
4	01-403375-01376	Shaft – Clutch Pivot .....	1
5	01-402275-00592	Disc – Spring .....	1
6	01-403275-00242	Wick – Oil.....	1
7	01-404375-00226	Arm – Transport (Incls. Item 29) .....	1
8	01-402675-00920	Sensor – Arm .....	1
9	01-402175-02831	Cap Screw Socket Button Hd. ....	2
10	01-404575-01033	Clip Assy. ....	1
11	01-403475-01023	Plate – Autodrive Clutch .....	1
12	01-402175-02923	Cap Screw Flat Socket Hd.....	4
13	01-403375-01280	Mount – Transport Roller .....	1
14	01-403375-01378	Spacer – Shaft.....	1
15	01-402375-00167	Roller – Transport .....	1
16	01-402175-00502	Shoulder Bolt .....	1
17	01-402275-00606	Knob – Auto Engage.....	1
18	01-403375-01373	Rod – Clutch Engage.....	1
19	01-402175-02862	Cap Screw Socket Button Hd. ....	1
20	01-402375-00184	Clevis – Stock .....	1
21	01-403475-01022	Crank – Autodrive Clutch .....	1
22	01-402175-00510	Screw Socket Nylon Hd. ....	1
23	01-402175-02746	Cap Screw Socket Hd.....	1
24	01-402175-00541	Plug – Pipe .....	1
25	01-403875-00235	Plug – Top Plate.....	4
26	01-402175-02864	Cap Screw Socket Button Hd. ....	4
27	01-402175-02745	Cap Screw Socket Hd.....	1
28	01-402275-00587	Washer.....	1
29	01-402275-00521	Bushing.....	2

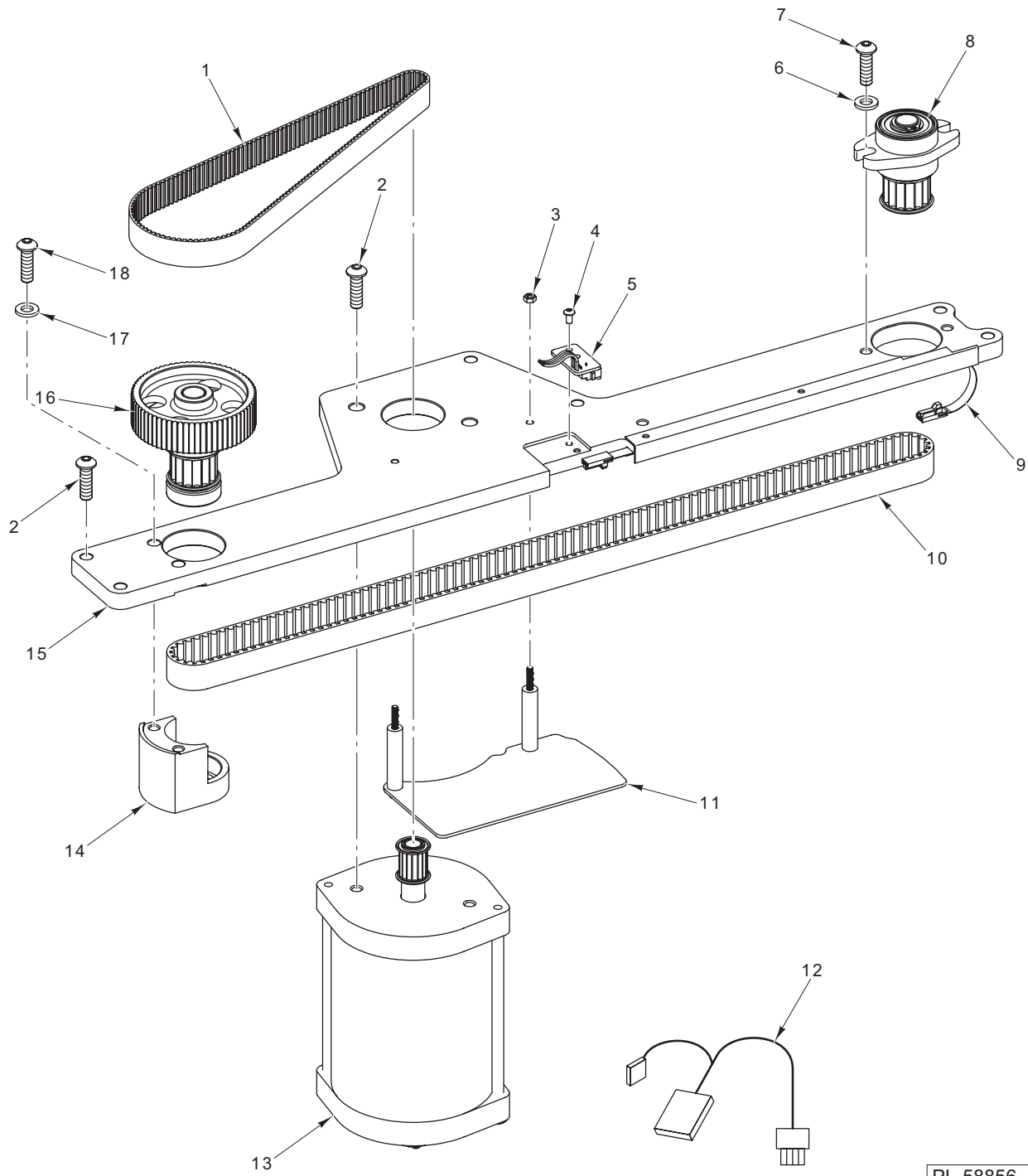


PL-58863

**GAUGE PLATE ASSEMBLY**

**GAUGE PLATE ASSEMBLY**

ILLUS.	PART NO.	NAME OF PART	AMT.
PL-58863			
1	01-403875-00237	Mount – Upper.....	1
2	01-402175-00528	Screw.....	5
3	01-403175-00952	Overlay.....	1
4	01-402175-02779	Screw.....	1
5	01-402275-00581	Pin – Dowel.....	1
6	01-403875-00257	Bushing – Flange.....	2
7	01-402175-00501	Shoulder Bolt.....	1
8	01-403875-00258	Arm – Slider.....	1
9	01-404375-00232	Cam Assy. (Incls Items 5, 7, & 8).....	1
10	01-402175-00517	Screw.....	2
11	01-403375-01286	Clamp.....	1
12	01-403775-00458	Plate – Gauge.....	1
13	01-403875-00207	Housing – Lower.....	1
14	01-403375-01393	Stop Pin – Index Knob.....	1
15	01-402275-00609	Grommet.....	1
16	01-402175-02756	Screw.....	2
17	01-402175-00500	Screw.....	1
18	01-403375-01276	Nut – Cylindrical.....	1
19	01-403275-00219	Block – Adjustment.....	1
20	01-403875-00236	Boot.....	1
21	01-402275-00414	Plug.....	1
22	01-402175-00504	Nut.....	1
23	01-403875-00248	Knob – Index.....	1
24	01-402175-00077	Nut.....	5
25	01-403275-00013	Lockwasher.....	5
26	01-404175-00715	Harness – Upper Wire.....	1
27	01-402675-00918	PCB Assy. (Upper).....	1
28	01-403875-00208	Housing – Upper.....	1
29	01-404375-00240	Housing – Upper Assy. (Incls. Item 28 & Magnet).....	1
	01-402175-02744	Screw (Upper To Lower Housing & Housing To Base).....	AR
	01-402175-02749	Screw – Long (Housing To Base).....	AR
	01-402275-00586	Washer (Housing To Base).....	AR
	01-404675-01165	LHA Assy. – No Lock (Black) (Incls. Items 1, 2, 3, 6, 9, 10, 11, 13, 14, 15, & 21 thru 29).....	1

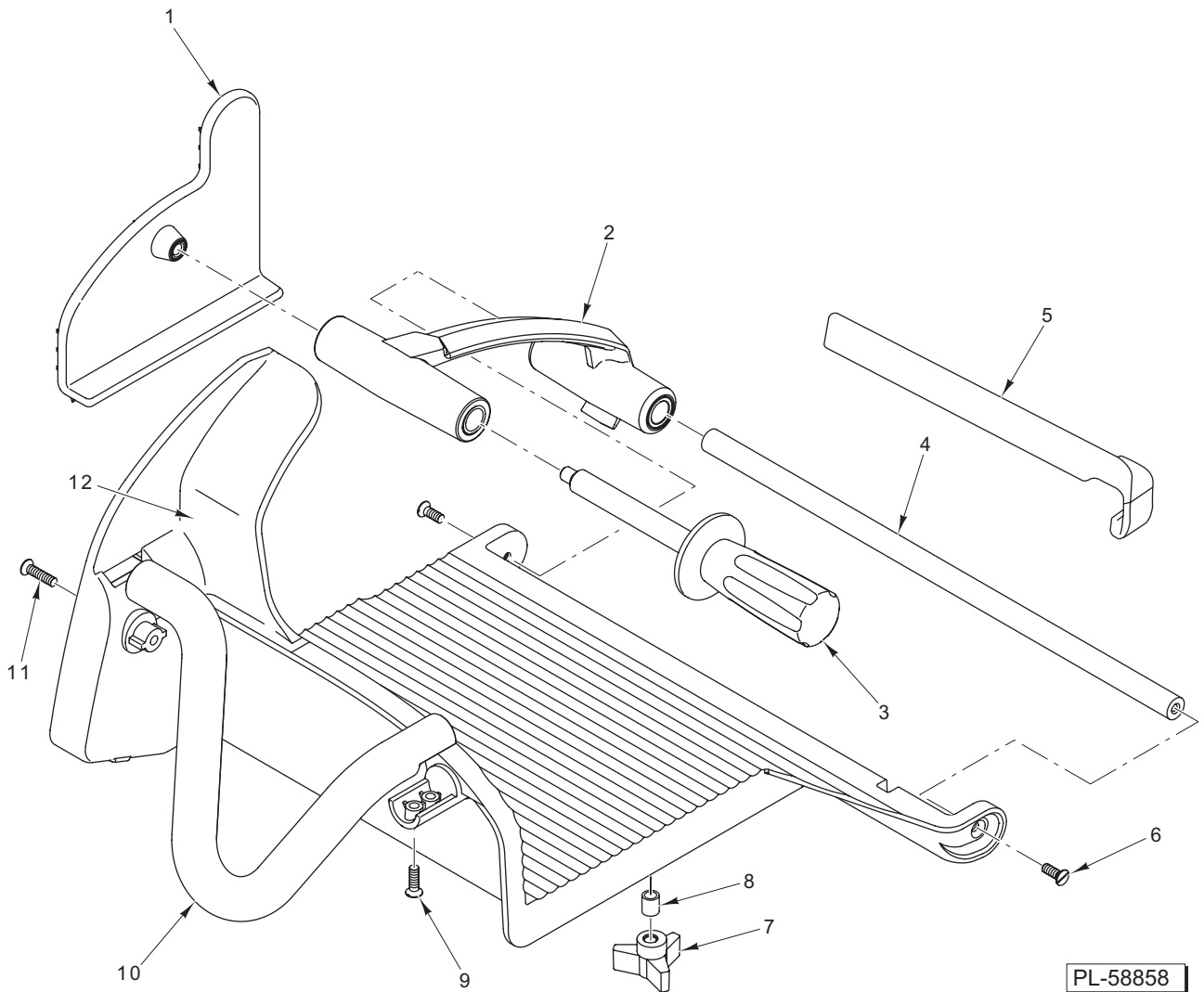


PL-58856

**AUTODRIVE ASSEMBLY**

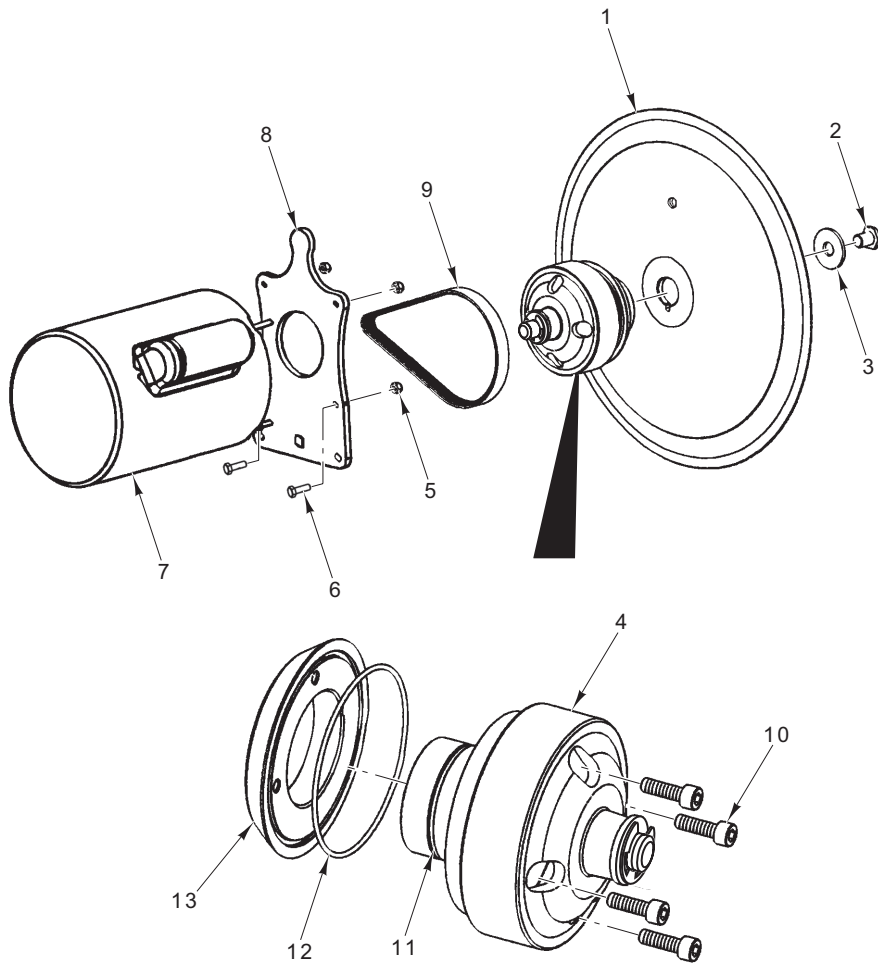
## AUTODRIVE ASSEMBLY

ILLUS.	PART NO.	NAME OF PART	AMT.
PL-58856			
1	01-402375-00172	Belt – Secondary .....	1
2	01-402175-02868	Cap Screw Socket Button Hd. ....	2
3	01-402175-00522	Lock Nut Hex .....	2
4	01-402175-02831	Cap Screw Socket Button Hd. ....	2
5	01-404175-00732	Cable (J4) .....	1
6	01-402275-00587	Washer.....	2
7	01-402175-02866	Cap Screw Socket Button Hd. ....	2
8	01-404375-00224	Tensioner Assy. ....	1
9	01-404175-00714	Flex Cable Assy. ....	1
10	01-402375-00171	Belt – Primary .....	1
11	01-404675-01151	Guide Assy. (Flex Cable) .....	1
12	01-404175-00716	Cable (J9) (Encode PCB Jumper) .....	1
13	01-404175-00734	Motor Assy. ....	1
14	01-403775-00495	Housing – Autodrive Transmission .....	1
15	01-404975-00481	Autodrive Plate Assy. ....	1
16	01-404375-00225	Transmission.....	1
17	01-402275-00603	Washer – Nylon .....	2
18	01-402175-02868	Cap Screw Socket Button Hd. ....	2



**PRODUCT TABLE**

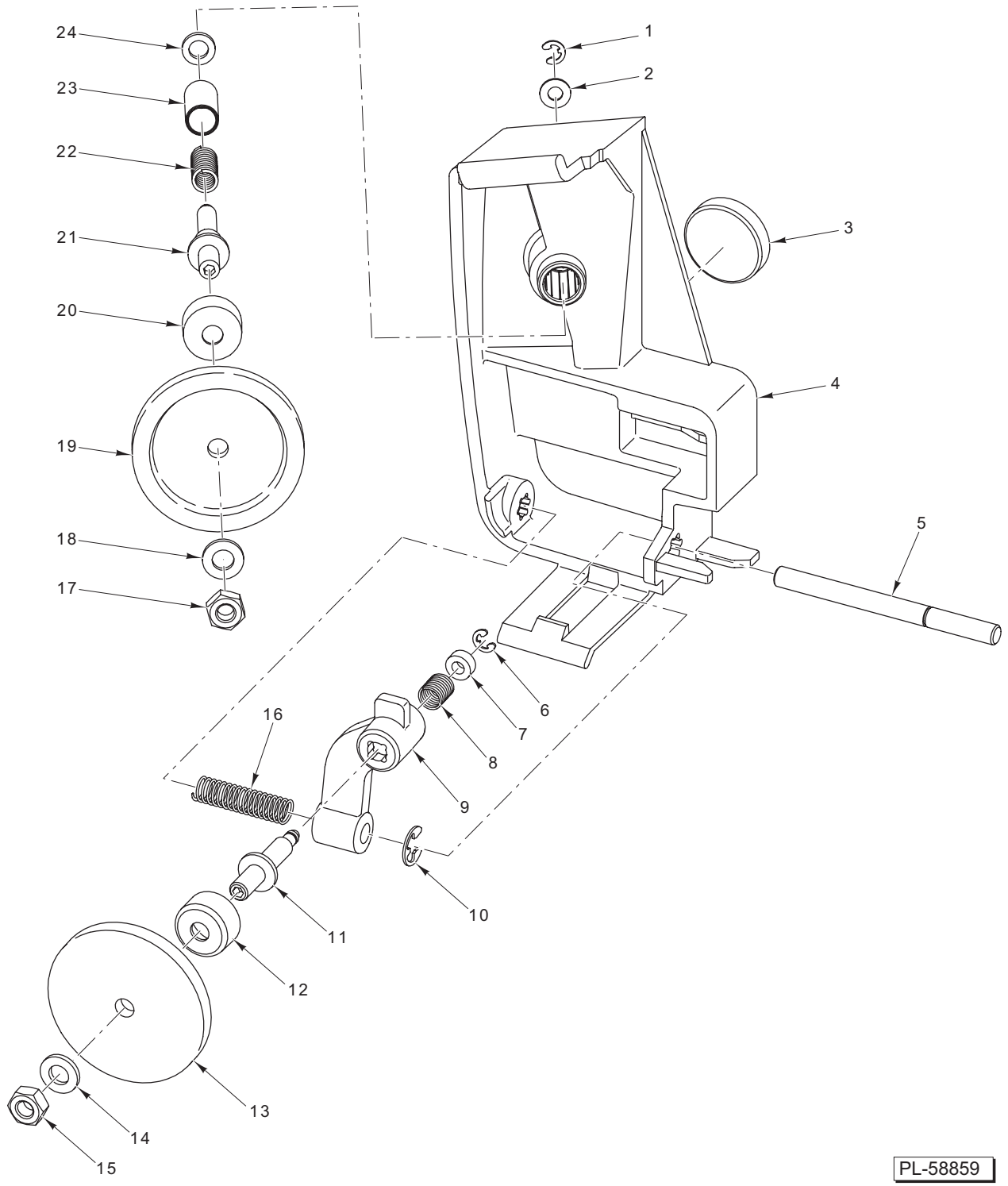
ILLUS.	PART NO.	NAME OF PART	AMT.
PL-58858			
1	01-403875-00177	Pusher Assy. ....	1
2	01-404275-00236	Arm – Pusher.....	1
3	01-404575-01035	Handle – Pusher (Black).....	1
4	01-403375-01387	Rail – Guide.....	1
5	01-404675-01135	Fence – Product .....	1
6	01-402175-00509	Cap Screw Slotted Flat Hd. ....	2
7	01-402275-00605	Knob .....	1
8	01-403375-01386	Sleeve.....	1
9	01-402175-00505	Cap Screw Slotted Flat Hd. ....	2
10	01-403875-00247	Handle – Table.....	1
11	01-402175-02949	Cap Screw Flat Socket Hd.....	1
12	01-404975-00476	Table – Product.....	1
	01-404675-01164	Table Assy. – Product (Black) (Incls. Items 4 & 6 thru 12).....	1



PL-58861

**KNIFE AND MOTOR ASSEMBLY**

ILLUS.	PART NO.	NAME OF PART	AMT.
PL-58861			
1	01-403675-00277	Knife.....	1
2	01-402175-00468	Bolt – Knife .....	1
3	01-402275-00524	Washer.....	1
4	01-404675-01140	Hub Assy. (Knife) .....	1
5	01-402175-00469	Nut – Motor Mount.....	4
6	01-402175-02744	Screw .....	4
7	01-404175-00724	Motor (208-240 V., 50/60 Hz., 1 Ph.).....	1
8	01-403475-00963	Mount – Knife Motor .....	1
9	01-402375-00176	Belt – Knife Drive.....	1
10	01-402175-02746	Cap Screw Socket Hd.....	4
11	01-402275-00554	O-Ring (Bearing Housing) .....	1
12	01-402275-00530	O-Ring (Spindle Mount).....	1
13	01-403375-01269	Mount – Spindle.....	1



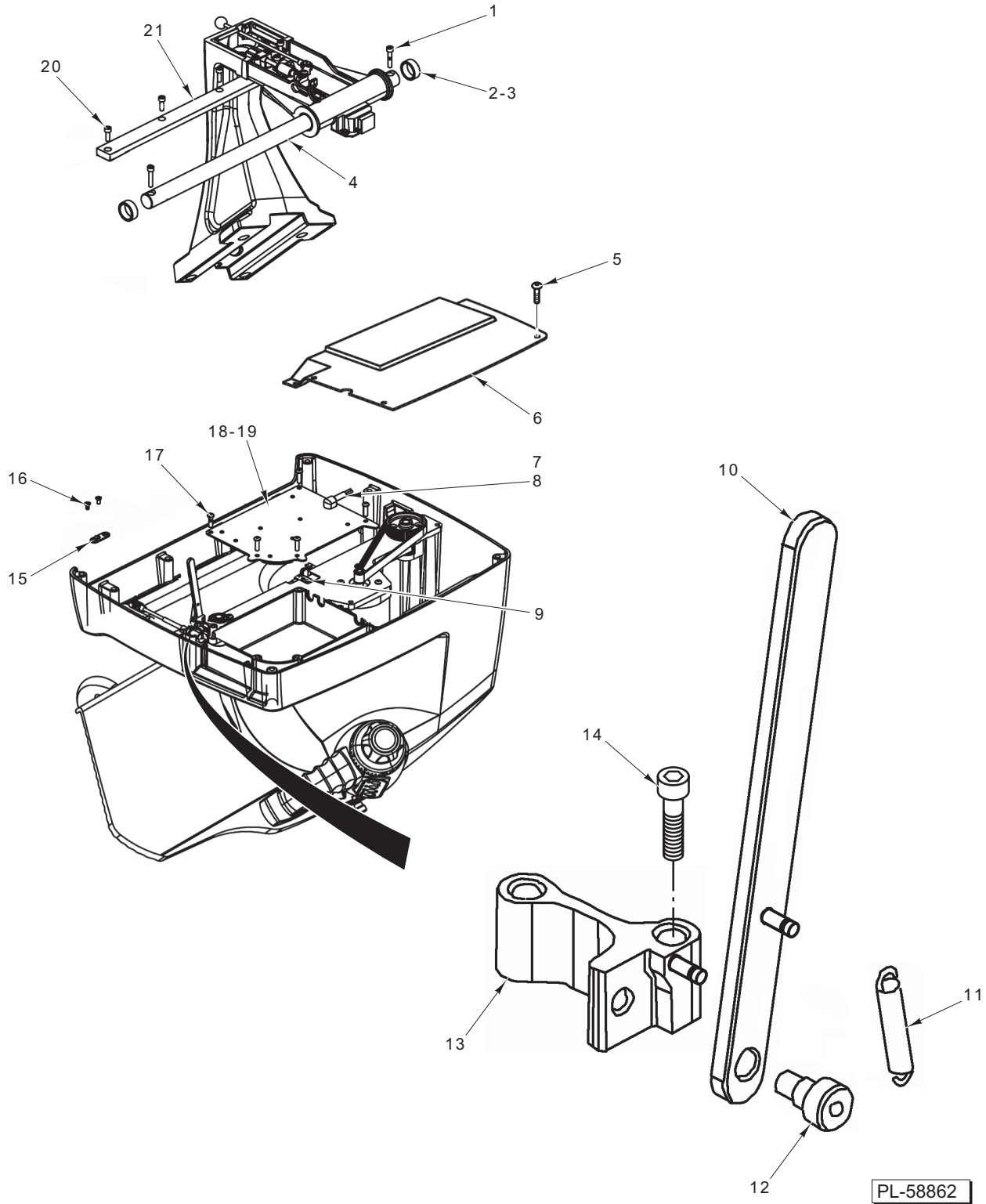
PL-58859

**KNIFE SHARPENER UNIT**

**KNIFE SHARPENER UNIT**

ILLUS. PL-58859	PART NO.	NAME OF PART	AMT.
1	01-402275-00594	E-Clip .....	1
2	01-402275-00441	Washer.....	1
3	01-402775-00733	Magnet.....	1
4	01-403875-00231	Frame – Sharpener.....	1
5	01-403375-01381	Shaft – Sharpener Actuator .....	1
6	01-402275-00594	E-Clip .....	1
7	01-402275-00595	Bushing.....	1
8	01-403275-00231	Spring – Debur.....	1
9	01-403875-00230	Frame – Debur.....	1
10	01-402275-00583	E-Clip .....	1
11	01-404975-00485	Kit – Debur Spindle (RH) (Incls. Item 15) .....	1
12	01-403875-00232	Skirt (Debur) .....	1
13	01-403675-00283	Stone – Borazon (Debur).....	1
14	01-402275-00587	Washer.....	1
*15	01-402175-00540	Nut M6 x 1 Hex (RH) .....	1
16	01-403275-00232	Spring – Sharpener Actuator .....	1
*17	01-402175-00540	Nut M6 x 1 Hex (RH) .....	1
18	01-402275-00587	Washer.....	1
19	01-403675-00283	Stone – Borazon (Sharpener).....	1
20	01-403875-00232	Skirt (Sharpener) .....	1
21	01-404975-00484	Kit – Sharpening Spindle (RH) (Incls. Item 17).....	1
22	01-403275-00230	Spring – Sharpener.....	1
23	01-402275-00596	Bushing.....	1
24	01-403475-01040	Washer – Fiber .....	1
	01-404675-01158	Knife Sharpener Assy. (Incls. Items 1 thru 24).....	1

\*When replacing left hand threaded nuts with right hand threaded nuts, replacement of shafts (items 11 or 21) with right hand threads will be required.



**BOTTOM COVER AND KICKSTAND**

### BOTTOM COVER AND KICKSTAND

ILLUS. PL-58862	PART NO.	NAME OF PART	AMT.
1	01-402175-02861	Cap Screw Button Socket Hd. ....	2
2	01-403275-00243	Bumper – Rubber .....	1
3	01-402275-00629	Washer – Bumper .....	AR
4	01-403375-01306	Rail – Round .....	1
5	01-402175-02862	Cap Screw Button Socket Hd. ....	AR
6	01-403875-00238	Cover – Bottom (Incls. Item 5) .....	1
7	01-404175-00719	Cord – Power .....	1
8	01-402675-00562	Bushing – Strain Relief .....	1
9	01-403875-00234	Grommet .....	2
10	01-404375-00235	Leg – Kickstand .....	1
11	01-403275-00234	Spring – Extension .....	1
12	01-402175-00525	Shoulder Bolt .....	1
13	01-404375-00234	Bracket Assy. – Kickstand .....	1
14	01-402175-00527	Screw .....	2
15	01-403375-01286	Clamp – Interlock .....	3
16	01-402175-02934	Cap Screw Flat Socket Hd. ....	AR
17	01-402175-02854	Cap Screw Button Socket Hd. ....	5
18	01-402675-00934	PCB Assy. (Main Board) (230 V.) .....	1
19	01-402675-00752	Breaker – Circuit (12 Amp., 120 V.) .....	1
20	01-402175-02743	Cap Screw Button Socket Hd. ....	4
21	01-403375-01278	Rail – Square .....	1
	01-404675-01139	Kick Stand Assy. (Incls. Items 10 Thru 13) .....	1

