



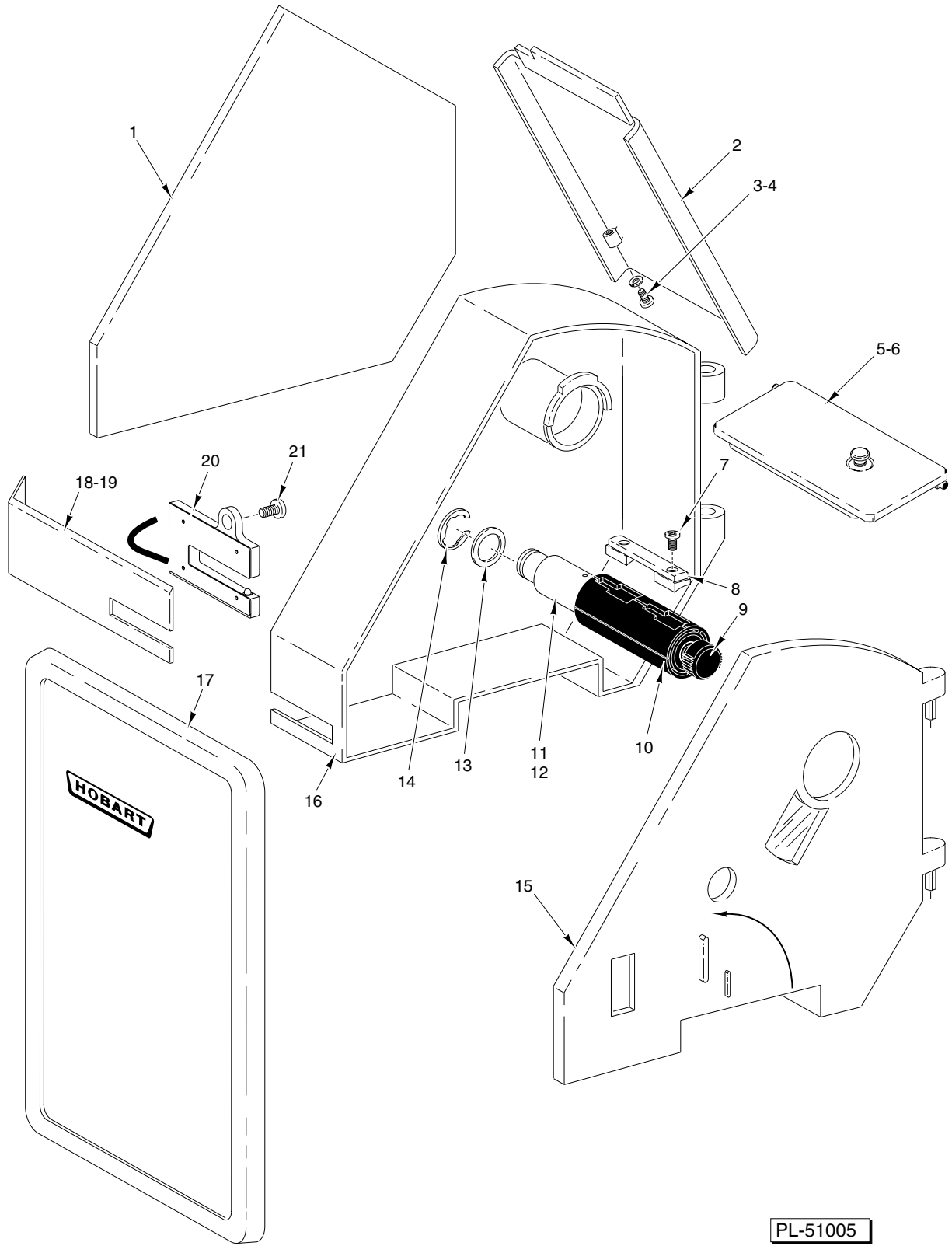
CATALOG OF

REPLACEMENT PARTS

ULTIMA 2000



- | | |
|----------------------------------|-----------------|
| U2000P1 | ML-28812 |
| U2000P1 (W/TCP-IP) | ML-29208 |
| U2000P2 | ML-28819 |
| U2000P2 (W/TCP-IP) | ML-29209 |
| U2000P3 | ML-28813 |
| U2000S1 (15 KG) | ML-29111 |
| U2000S1 (30 KG) | ML-28808 |
| U2000CP1 (30 Speed Keys) | ML-28811 |
| U2000CP3 (102 Speed Keys) | ML-28810 |

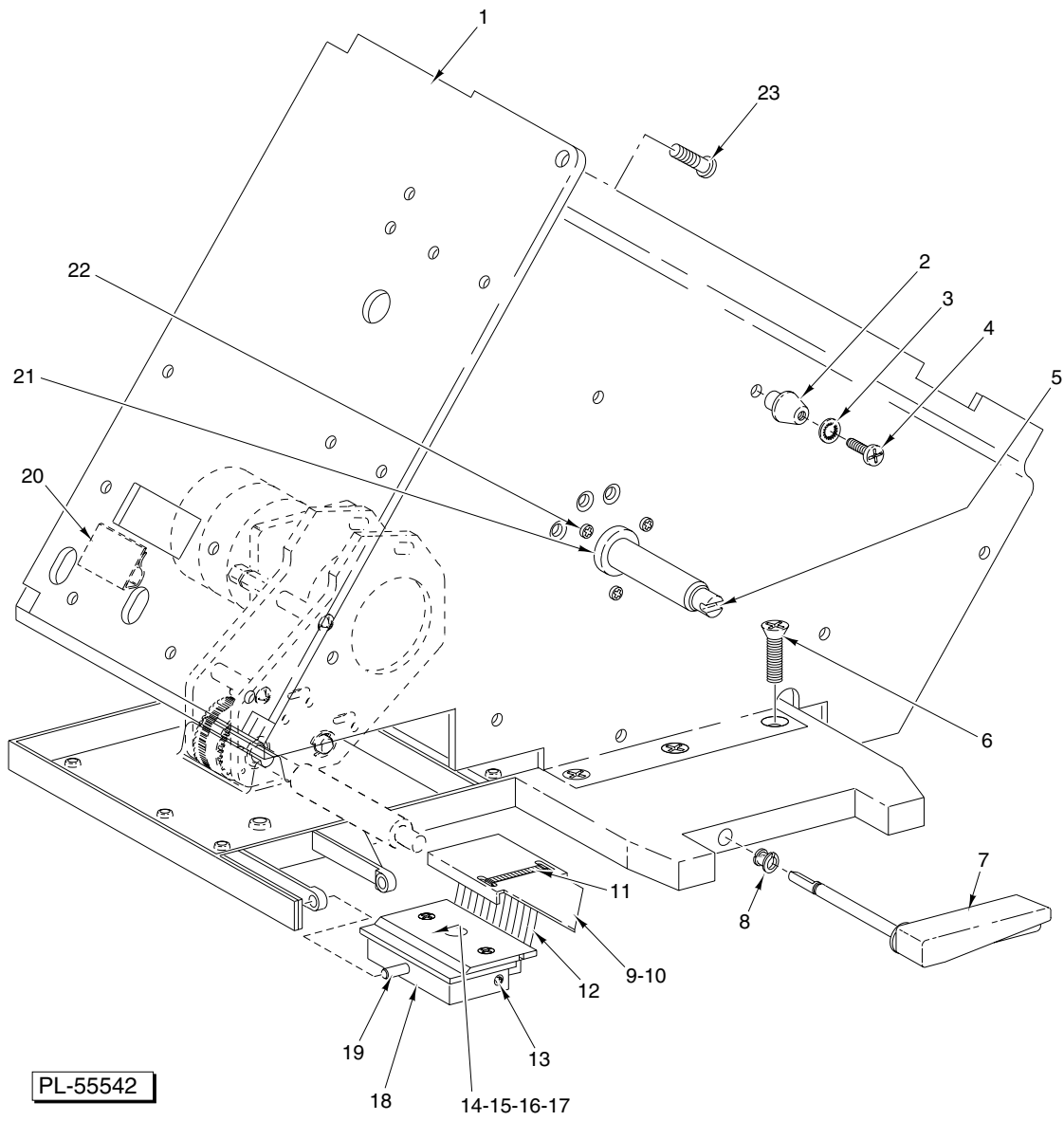


PL-51005

HOUSING

HOUSING

ILLUS. PL-51005	PART NO.	NAME OF PART	AMT.
1	00-334834	Cover – Side	1
2	00-334835	Cover – Top	1
3	SC-018-34	Mach. Screw 8-32 x 1/2 Phil. Pan Hd.	2
4	WL-003-12	Lockwasher #8 Medium	2
5	00-334836	Cover – Rear	1
6	00-041666	Latch – Door	1
7	SC-018-77	Mach. Screw 6-32 x 5/16 Phil. Pan Hd.	2
8	00-041521	Lock – Take-Up Spool	1
9	00-041670	Plug – Cover	1
10	00-041520	Spool – Paper Take-Up	1
11	00-041660	Spindle – Take-Up	1
12	RP-005-04	Roll Pin 1/8 Dia. x 3/4 Lg.	1
13	00-042652	Washer	1
14	RR-007-20	Retaining Ring	1
15	00-042434-00001	Cassette Cover Assy.	1
16	00-042433-00001	Cassette Body Assy.	1
17	00-041625	Panel Assy. Remote Console	1
18	00-334833	Cover – Front	1
19	00-041538	Push Nut	2
20	00-042435-00001	Sensor Assy.	1
21	SC-020-25	Mach. Screw 6-32 x 1/4 Phil. Flat Hd.	1
	00-042406	Label Cartridge (Incls. Items 7 thru 16)	1
	00-041894	Narrow Label Adapter	1
	00-544307	Tape – Foam	AR

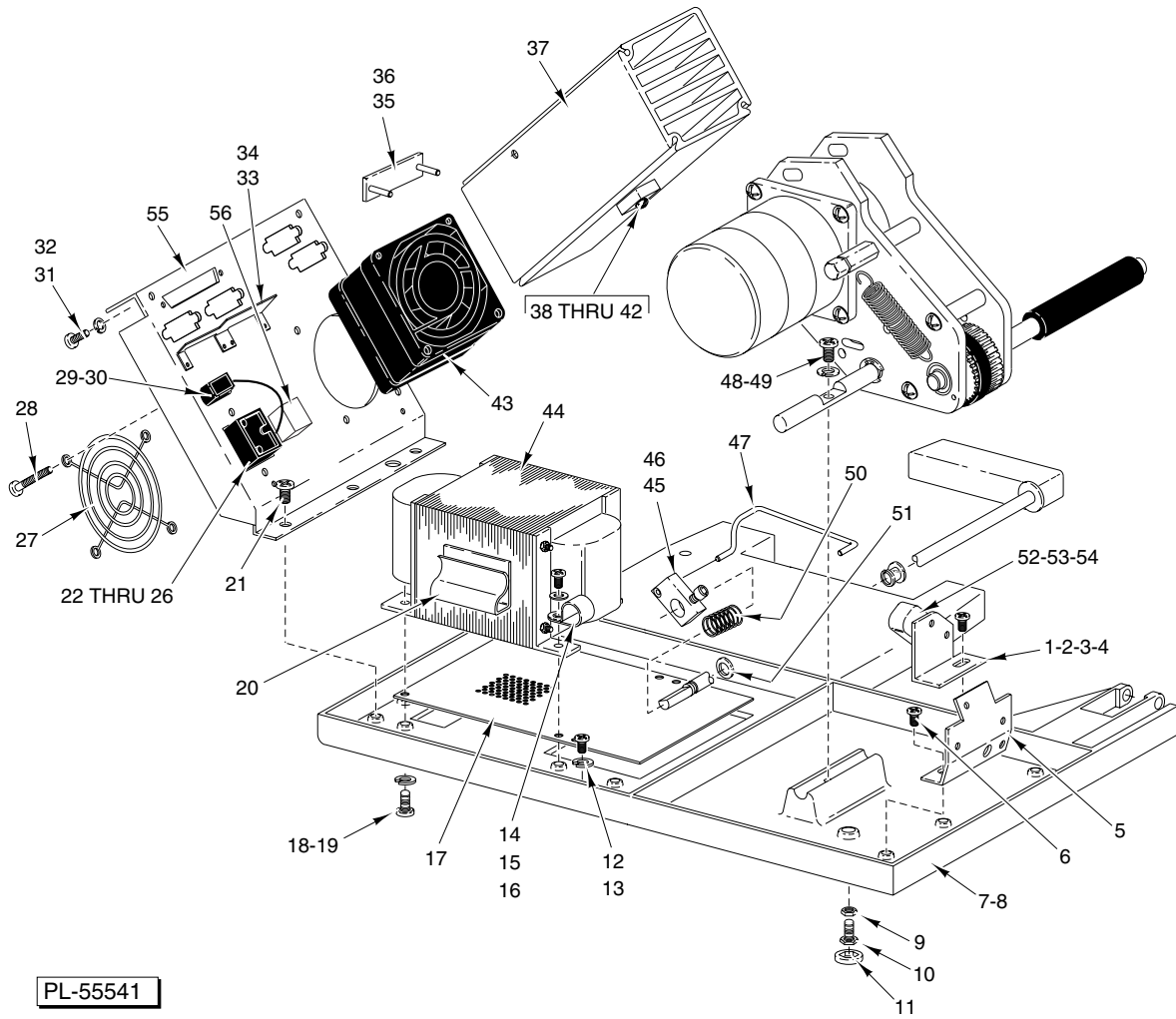


PL-55542

BASE (RH SIDE)

BASE (RH SIDE)

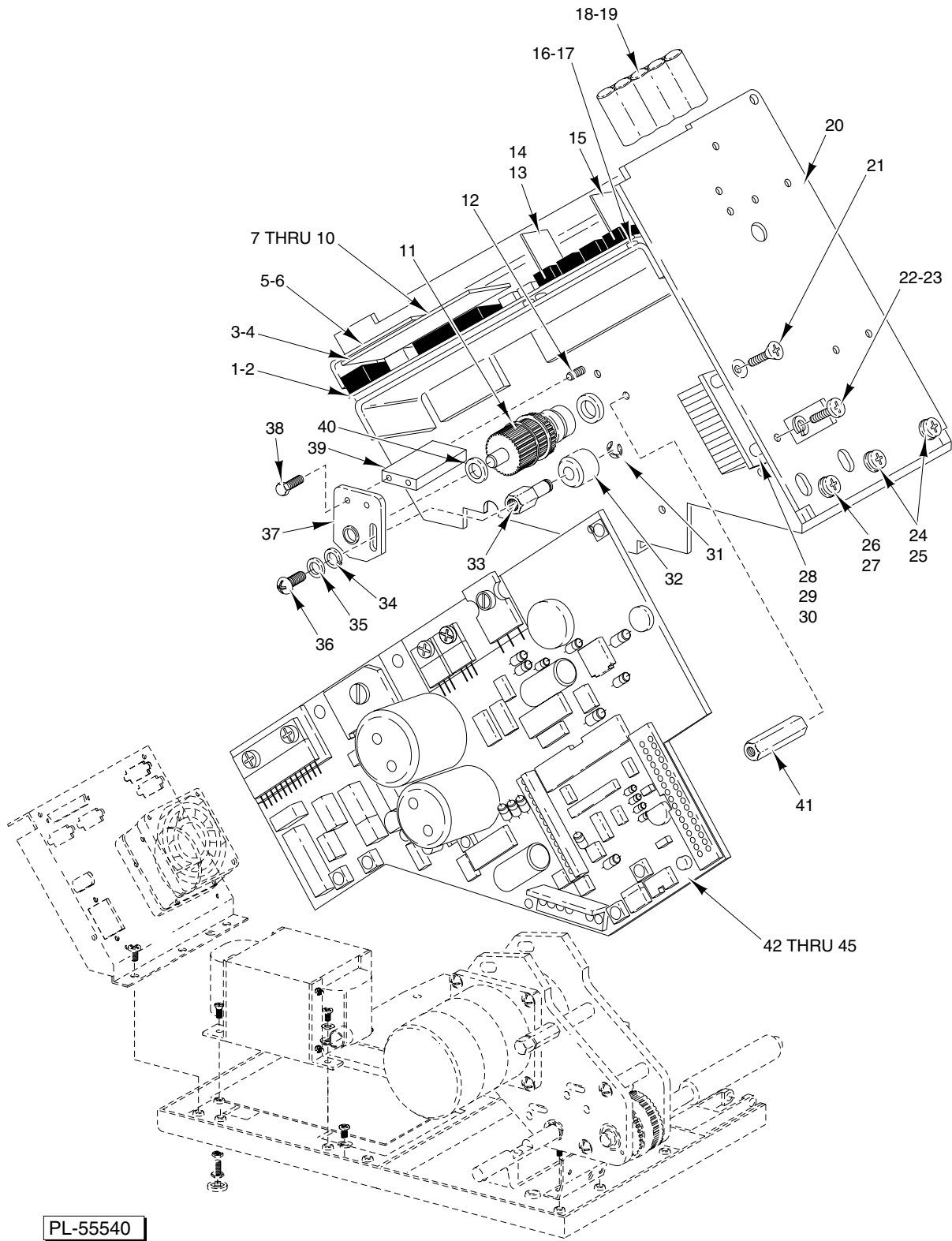
ILLUS. PL-55542	PART NO.	NAME OF PART	AMT.
1	00-032881	Front Plate Assy.	1
2	00-042503	Stud – Cassette Lock	1
3	WL-008-13	Lockwasher #10 Internal Shakeproof	1
4	SC-121-86	Mach. Screw 10-32 x 7/8 Phil. Pan Hd.	1
5	00-041730	Clutch Assy. (Label Take-Up)	1
6	SD-024-16	Self-Tapping Screw 10-24 x 1/2 Phil. Flat Hd., Type TT	3
7	00-041738	Handle Assy.	1
8	00-183399	Bushing – Nyloner	1
9	00-041686	Cable – Top (Not Shown)	1
10	00-041669	Cable – Bottom	1
11	00-255502	Tie – Cable Locking	1
12	00-048370	Cable Assy. – Printhead (26 Cnd.)	1
13	SC-116-79	Set Screw 10-32 x 1/4 Soc. Hdls. Cup Pt.	1
14	00-049843	Printhead	1
15	00-519504-00004	Thermo Joint Compound (2 Oz.)	AR
16	SC-121-76	Mach. Screw M3 x 0.5 x 12 mm Phil. Pan Hd.	2
17	WL-019-58	Lockwasher Internal Shakeproof (SST)	2
18	00-041653	Mount – Printhead	1
19	00-041652	Pin – Printhead	1
20	00-042287	Clamp – Cable	1
21	00-049860	Bushing – Flanged	1
22	SC-020-25	Mach. Screw 6-32 x 1/4 Phil. Flat Hd.	3
23	SC-020-23	Mach. Screw 10-24 x 3/8 Phil. Flat Hd.	AR



BASE (LH SIDE)

BASE (LH SIDE)

ILLUS. PL-55541	PART NO.	NAME OF PART	AMT.
1	00-042878	Bracket – Switch	1
2	SD-015-41	Self-Tapping Screw 8-32 x 1/2 Phil. Pan Hd., Type TT	1
3	WS-023-48	Washer	1
4	WL-003-12	Lockwasher #8 Medium	1
5	00-041527	Bracket – Front Cover	1
6	SD-015-40	Self-Tapping Screw 8-32 x 3/8 Phil. Pan Hd., Type TT	2
7	00-044121-00002	Base – Printer	1
8	00-041671	Protector – Base & Cassette	1
9	NS-017-03	Jam Nut 1/4-20 Hex	4
10	00-041687	Foot – Leveller	4
11	00-041688	Cap – Leveller	4
12	SD-015-40	Self-Tapping Screw 8-32 x 3/8 Phil. Pan Hd., Type TT	1
13	WL-007-07	Lockwasher #8 External Shakeproof	1
14	00-259412	Clamp – Cable	1
15	WS-023-48	Washer	3
16	SD-015-41	Self-Tapping Screw 8-32 x 1/2 Phil. Pan Hd., Type TT	1
17	00-032865	Screen – Printer Base	1
18	SC-018-23	Mach. Screw 8-32 x 5/8 Phil. Pan Hd.	3
19	WL-003-12	Lockwasher #8 Medium	3
20	00-042287	Clamp – Cable	1
21	SD-015-40	Self-Tapping Screw 8-32 x 3/8 Phil. Pan Hd., Type TT	3
22	00-042203	Line Filter Assy.	1
23	SC-018-29	Mach. Screw 6-32 x 3/8 Phil. Pan Hd.	2
24	WL-003-09	Lockwasher #6 Medium (SST)	2
25	NS-009-07	Mach. Nut 6-32 Hex	2
26	00-042211	Wire – Jumper (Line Filter to Circuit Breaker, Prior to 5/19/93)	1
27	00-041799	Guard – Fan	1
28	SD-037-76	Self-Tapping Screw 8-18 x 1 1/2 Phil. Pan Hd., Type B	3
29	00-042101	Circuit Breaker (Prior to 5/19/93)	1
30	00-256154	Circuit Breaker (After 5/19/93)	1
31	SC-018-34	Mach. Screw 8-32 x 1/2 Phil. Pan Hd.	2
32	WL-003-12	Lockwasher #8 Medium	2
33	00-041663	Bracket – Nut	1
34	SD-036-48	Self-Tapping Screw 4-40 x 3/8 Phil. Pan Hd., Type TT	4
35	00-041892	Cover – Serial Board Panel (1 9/16 Lg.)	AR
36	00-257387	Cover – Connector Opening (Incls. Fastener)	1
37	00-032863	Heat Sink	1
38	00-042159	Bridge Rectifier (35 Amp.) (100 V.)	1
39	00-519504-00004	Lubricant – Special (Thermo Joint Compound) (2 Oz.)	AR
40	WS-023-48	Washer	1
41	SC-018-23	Mach. Screw 8-32 x 5/8 Phil. Pan Hd.	1
42	00-512987	Adhesive – Loctite 222	AR
43	00-041797	Fan Assy.	1
44	00-042202	Transformer	1
45	00-041675	Pivot Block	1
46	SC-040-01	Cap Screw 10-32 x 3/8 Soc. Hex Hd.	1
47	00-041674	Link – Printer Pivot	1
48	SC-121-77	Mach. Screw 10-24 x 5/8 Phil. Pan Hd.	1
49	WL-008-13	Lockwasher #10 Internal Shakeproof	1
50	00-042800	Spring – Handle Latch	1
51	00-183399	Bushing – Nyliner	1
52	00-042408	Switch Assy.	1
53	SC-018-51	Mach. Screw 4-40 x 5/8 Pan Hd.	2
54	WL-003-03	Lockwasher #4 Medium	2
55	00-041528	Bracket – Electrical Connection	1
56	00-042350-00001	Switch Assy. – ON-OFF (After 5/19/93)	1
	00-257200	Power Cord	1

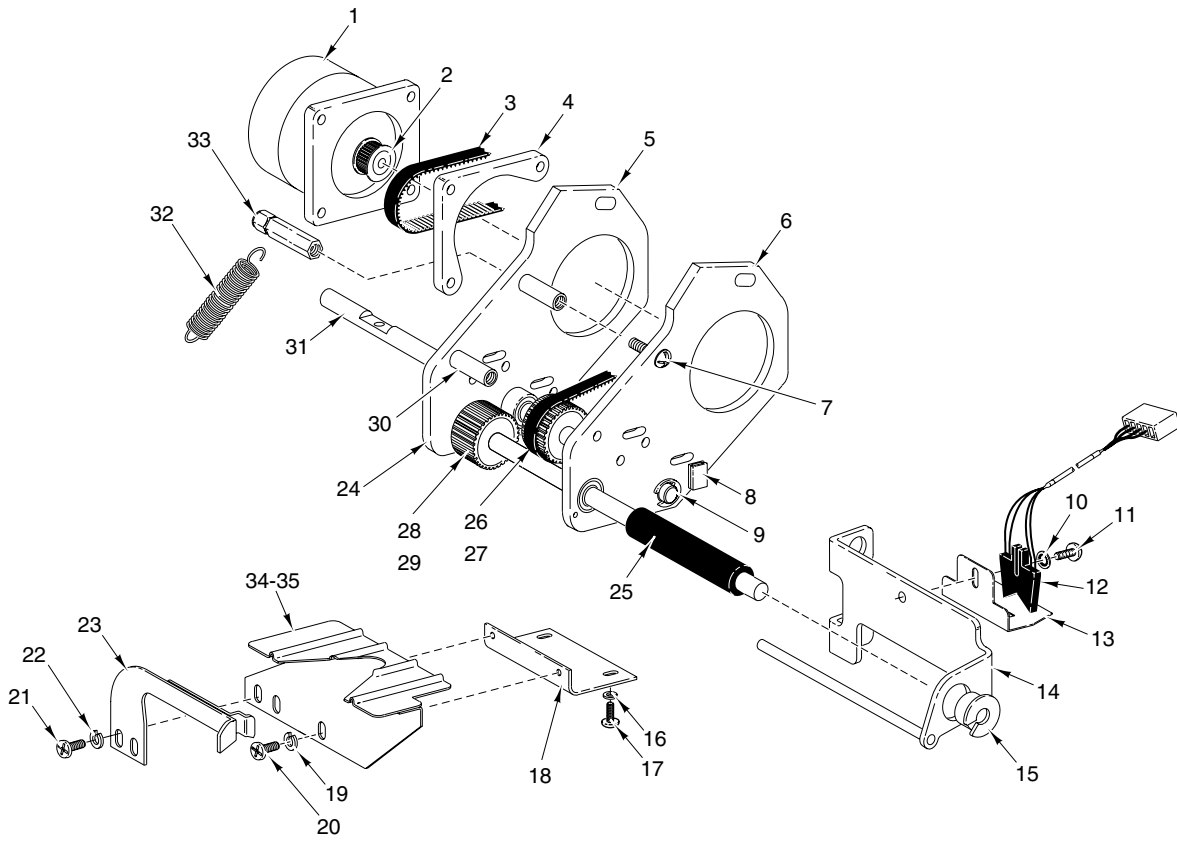


PL-55540

BASE (LH SIDE W/BOARDS)

BASE (LH SIDE W/BOARDS)

ILLUS. PL-55540	PART NO.	NAME OF PART	AMT.
1	SD-015-40	Self-Tapping Screw 8-32 x 3/8 Phil. Pan Hd., Type TT	1
2	00-042320	Board Assy. (LSLAN) (For Scalemaster) (ML-28819)	1
3	SC-018-77	Mach. Screw 6-32 x 5/16 Phil. Pan Hd. (Use with Item 16)	3
4	00-042381	Board Assy. – SER/PAR (ML-28812 & ML-28819)	1
5	SD-015-40	Self-Tapping Screw 8-32 x 3/8 Phil. Pan Hd., Type TT	1
6	00-042330	Board Assy. – RS232/ILA (ML-28808 & ML-28819)	1
7	SC-018-29	Mach. Screw 6-32 x 3/8 Phil. Pan Hd. (ML-29208 & ML-29209)	4
8	00-046548	Board Assy. – Ethernet (ML-29208 & ML-29209)	1
9	00-046545	Bracket Assy. – Ethernet (ML-29208 & ML-29209)	1
10	NS-031-03	Lock Nut 6-32 Hex ESNA (ML-29208 & ML-29209)	2
11	00-041730	Clutch Assy. (Label Take-Up)	1
12	SC-100-04	Mach. Screw Special 10-24 x 3/8 Hex Washer Hd.	2
13	00-046374	Board Assy. (1 MB PSRAM) (ML-28812 & ML-29208)	1
14	00-042358	Board Assy. (2 MB PSRAM) (ML-28819 & ML-29209)	1
15	00-048425-00013	Board Assy. (2 MB EPROM) (ML-28812, ML-28819, ML-29208, & ML-29209)	1
16	00-042352	Board Assy. – System Controller (ML-28812, ML-28819, ML-29208, & ML-29209)	1
17	00-042396	Board Assy. – Mod Net Adapter (ML-28813) (Secondary Printer)	1
18	00-043263	Battery Pack Assy. (ML-28812, ML-28819, ML-29208, & ML-29209)	1
19	00-043395	Fastener – Dual Lock (Type 400) (ML-28812, ML-28819, ML-29208, & ML-29209)	1
20	00-032881	Front Plate Assy.	1
21	SC-110-90	Mach. Screw 6-32 x 3/8 Phil. Flat Hd.	1
22	SC-018-77	Mach. Screw 6-32 x 5/16 Phil. Pan Hd.	2
23	WL-003-09	Lockwasher #6 Medium	2
24	SC-018-30	Mach. Screw 8-32 x 1/4 Phil. Pan Hd.	2
25	WL-003-12	Lockwasher #8 Medium	2
26	SC-018-34	Mach. Screw 8-32 x 1/2 Phil. Pan Hd.	1
27	WL-003-12	Lockwasher #8 Medium	1
28	00-044894-00002	Board Assy. – Printer (ML-28813) (Secondary Printer)	1
29	00-044894-00001	Board Assy. – Printer (ML-28812, ML-28819, ML-29208, & ML-29209)	1
30	00-440751	Printer Prom	1
31	RR-010-06	Retaining Ring	1
32	00-041677	Roller	1
33	00-041659	Stud – Belt Idler	1
34	WL-008-13	Lockwasher #10 Internal Shakeproof	1
35	WS-002-51	Washer	1
36	SC-121-77	Mach. Screw 10-24 x 5/8 Phil. Pan Hd.	1
37	00-441451	Bracket Assy. – Take-Up	1
38	SC-100-04	Mach. Screw 10-24 x 3/8 Hex Washer Hd.	2
39	00-441244	Block – Label Take-Up	1
40	WS-022-06	Washer	AR
41	00-041665	Standoff – Board Mounting	1
42	SC-018-34	Mach. Screw 8-32 x 1/2 Phil. Pan Hd. (Used to Mount Power Supply Board)	3
43	SC-018-77	Mach. Screw 6-32 x 5/16 Phil. Pan Hd.	1
44	SC-100-04	Mach. Screw Special 10-24 x 3/8 Hex Washer Hd.	1
45	00-042318	Board Assy. (Large Power Supply)	1

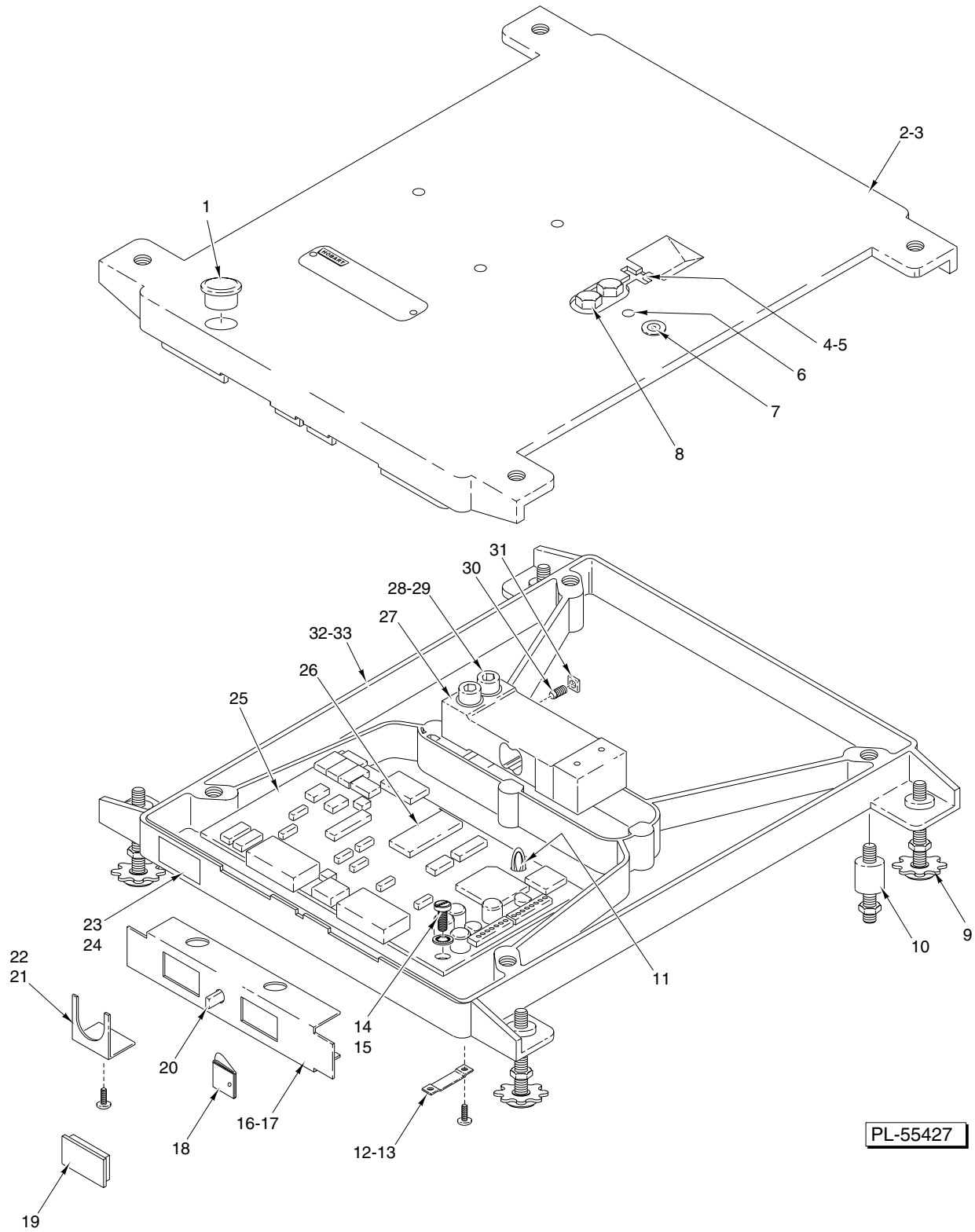


PL-55543

PRINTER UNIT

PRINTER UNIT

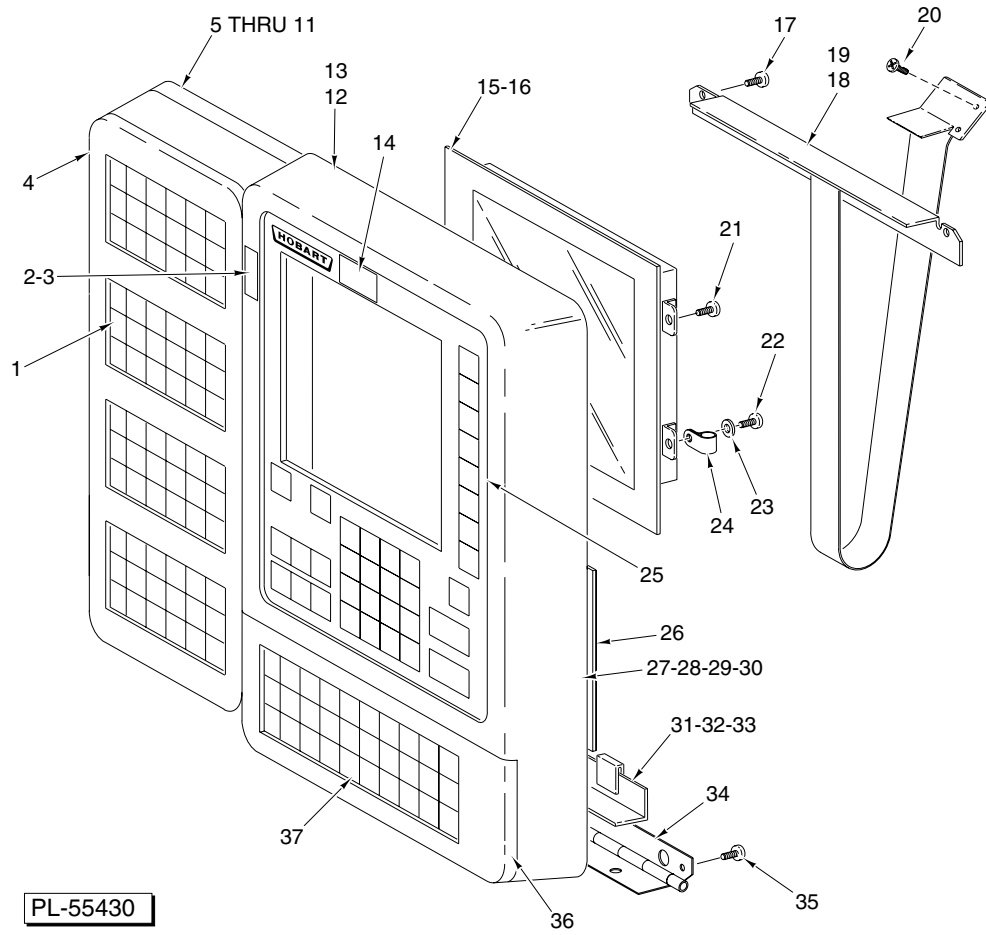
ILLUS. PL-55543	PART NO.	NAME OF PART	AMT.
1	00-042204	Stepper Motor Assy.	1
2	00-041632	Pulley (20T)	1
3	00-041638	Belt – Printer	1
4	00-259204	Plate – Motor Screw	1
5	00-041643	Frame Assy. (LH)	1
6	00-041644	Frame Assy. (RH)	1
7	SD-015-40	Self-Tapping Screw 8-32 x 3/8 Phil. Pan Hd., Type TT	9
8	00-041756	Clip – Wire	2
9	RR-009-10	Retaining Ring	2
10	WL-019-58	Lockwasher Internal Shakeproof (SST)	1
11	SD-036-48	Self-Tapping Screw 4-40 x 3/8 Phil. Pan Hd., Type TT	1
12	00-042201	Sensor Assy. (Media)	1
13	00-042750	Shoe – Label	1
14	00-041529	Bar Assy. – Peel	1
15	00-043253	Bushing – Nyliner	1
16	WL-003-12	Lockwasher #8 Medium	2
17	SD-015-40	Self-Tapping Screw 8-32 x 3/8 Phil. Pan Hd., Type TT	2
18	00-043013	Bracket – Table (Mounts Under Base)	1
19	WL-003-09	Lockwasher #6 Medium	1
20	SC-018-27	Mach. Screw 6-32 x 3/16 Phil. Pan Hd.	1
21	SC-018-27	Mach. Screw 6-32 x 3/16 Phil. Pan Hd.	2
22	WL-003-09	Lockwasher #6 Medium	2
23	00-042392	Finger – Label	1
24	00-041642	Printer Assy.	1
25	00-041679	Roller – Drive	1
26	00-041654	Pulley & Bearing Assy.	1
27	00-041639	Belt – Take-Up Drive	1
28	00-041648	Pulley – Print Roller	1
29	SC-047-74	Set Screw 8-32 x 1/4 Hdls. Cup Pt.	1
30	00-041646	Spacer – Printer Frame	3
31	00-041645	Pin – Printer Pivot	1
32	00-041655	Spring – Printer	1
33	00-041640	Stud – Spring Mounting	1
34	00-043014	Table – Label	1
35	00-049344	Table – Label Long (SLA)	AR



SCALE UNIT

SCALE UNIT

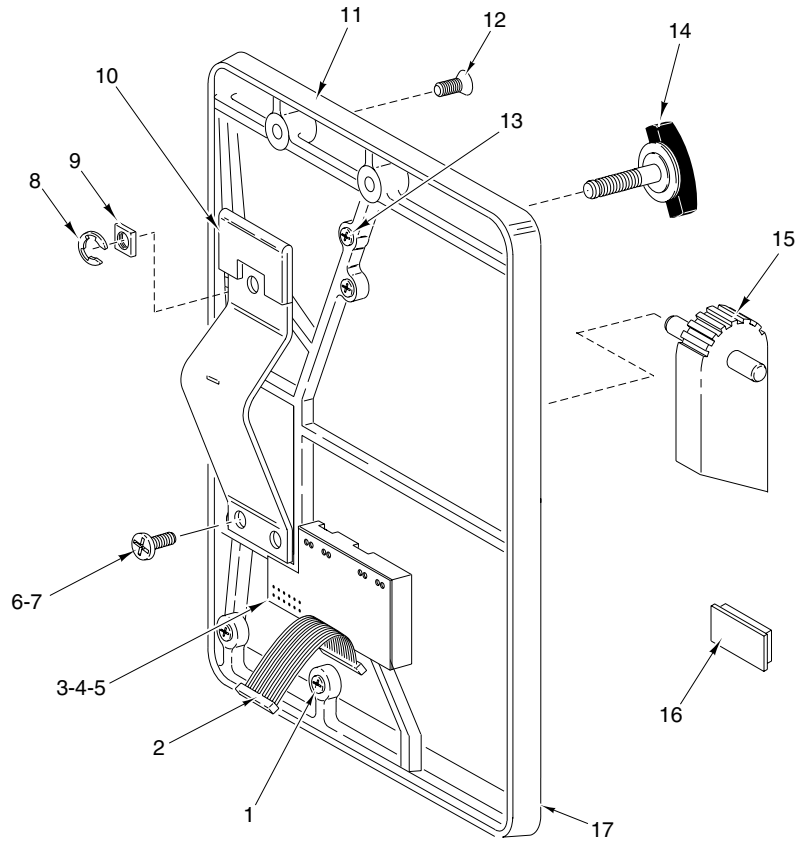
ILLUS. PL-55427	PART NO.	NAME OF PART	AMT.
1	00-041562	Plug – Transparent (1/2)	1
2	00-041559	Support – Platter (With Flanges)	1
3	00-041908	Support – Platter (With Flanges Cut Off)	1
4	SC-123-20	Set Screw 10-32 x 3/8 Hdls. Half Dog Pt.	1
5	NS-046-58	Mach. Nut 10-32 Square	2
6	SC-123-20	Set Screw 10-32 x 3/8 Hdls. Half Dog Pt.	1
7	00-013931	Level – Spirit	1
8	SC-110-12	Cap Screw 1/4-20 x 5/8 Hex Hd.	2
9	00-093160	Screw Foot Leveling Assy.	4
10	NS-009-30	Mach. Nut 10-32 Hex	4
11	00-042808	Support – Circuit Board	2
12	00-259176	Bar – Cable Hold Down	1
13	SD-015-41	Self-Tapping Screw 8-32 x 1/2 Phil. Pan Hd., Type TT	2
14	SC-112-42	Mach. Screw 6-32 x 1/2 Phil. Pan Hd.	2
15	WL-008-01	Lockwasher #6 Internal Shakeproof	2
16	00-042599	Cover – Circuit Board	1
17	SC-018-30	Mach. Screw 8-32 x 1/4 Phil. Pan Hd.	2
18	00-184991	Contact – Clip On Mounting	2
19	00-440442	Plug	AR
20	00-042600	Actuator – Service Switch	1
21	00-042601	Plate – Sealing	1
22	00-183906	Screw (Special Fil. Hd.)	2
23	00-184534	Decal (30 Lb.)	1
24	00-184535	Decal (50 Lb.)	1
25	00-042343	Board Assy. – Conveyor Scale Control	1
26	00-046444	Scale Prom	1
27	00-044899	Load Cell Assy. (30 kg) (Incls. Item 8)	1
28	SC-120-70	Cap Screw 1/4-20 x 1 5/8 Soc. Hex Hd.	2
29	WL-003-39	Lockwasher 1/4 Light	2
30	SC-123-20	Set Screw 10-32 x 3/8 Hdls. Half Dog Pt.	1
31	NS-046-58	Mach. Nut 10-32 Square	1
32	00-042604	Base Assy. (With Flanges)	1
33	00-042606	Base Assy. (With Flanges Cut Off)	1
	00-043812	Platter Assy. (12 x 14) (U 2000 S1 Scale)	1
	00-043813	Platter Assy. (12 x 16 1/2) (U 2000 S1 Scale)	1
	00-184929	Contact – Compression Spring (Quantity of 8)	AR
	00-257114	Contact – Compression Spring (Quantity of 64)	AR
	00-258958	Fastener – Dual Lock (Scotchmate Type 170) (Platter Support)	AR
	00-258959	Fastener – Dual Lock (Scotchmate Type 400) (Platter)	AR



CONSOLE W/SPEED KEYS

CONSOLE W/SPEED KEYS

ILLUS. PL-55430	PART NO.	NAME OF PART	AMT.
1	00-044344	Keyboard (Optional Speed)	1
2	00-184532	Label – Capacity (50 Lb.)	1
3	00-046813	Label – Capacity (30 Lb.)	1
4	00-041570	Bezel Assy. (Speed Keys)	1
5	WS-029-24	Washer	3
6	00-042665	Contact Finger (Grounding Strip)	1
7	00-042334	Board Assy. – Speed Keys	1
8	00-042220	Cable Assy. – Speed Keys	1
9	SD-037-71	Self-Tapping Screw Special 6-19 x 5/16 Phil. Pan Hd., Plastite	3
10	00-334839	Cover Speed Keys	1
11	SD-015-40	Self-Tapping Screw 8-32 x 3/8 Phil. Pan Hd., Type TT	2
12	00-334832	Panel Assy. – Front	1
13	00-334838	Panel Assy. – Front (Speed Keys)	1
14	00-042880	Label – Prepack	1
15	00-042437-00001	Display Assy.	1
16	00-044225	Spacer – Display Window (Glass)	1
17	SD-037-72	Self-Tapping Screw Special 6-19 x 1/2 Phil. Pan Hd., Plastite	2
18	00-041628	Bracket Assy. – Latch	1
19	00-042665	Contact Finger (Grounding Strip)	1
20	SD-015-40	Self-Tapping Screw 8-32 x 3/8 Phil. Pan Hd., Type TT	2
21	SD-033-64	Self-Tapping Screw Special 4-20 x 1/2 Phil. Pan Hd., Plastite	4
22	SD-033-64	Self-Tapping Screw Special 4-20 x 1/2 Phil. Pan Hd., Plastite	4
23	WS-029-24	Washer	1
24	00-253363	Clamp	1
25	00-042914	Keyboard – Operator	1
26	00-042216	Speaker Assy.	1
27	00-042308	Board Assy. – Console Control	1
28	00-049594	Console Prom	1
29	WL-008-01	Lockwasher #6 Internal Shakeproof	4
30	SC-018-77	Mach. Screw 6-32 x 5/16 Phil. Pan Hd.	4
31	00-042654	Shield – Grounding	1
32	00-042658	Clip – Grounding	3
33	00-042665	Contact Finger (Grounding Strip)	1
34	00-041619	Hinge	1
35	SD-037-72	Self-Tapping Screw Special 6-19 x 1/2 Phil. Pan Hd., Plastite	4
36	00-041568	Bezel Assy.	1
37	00-044343	Keyboard (Standard Speed)	1
	00-044075	Kit, Conversion (Convert to remote mount)	1

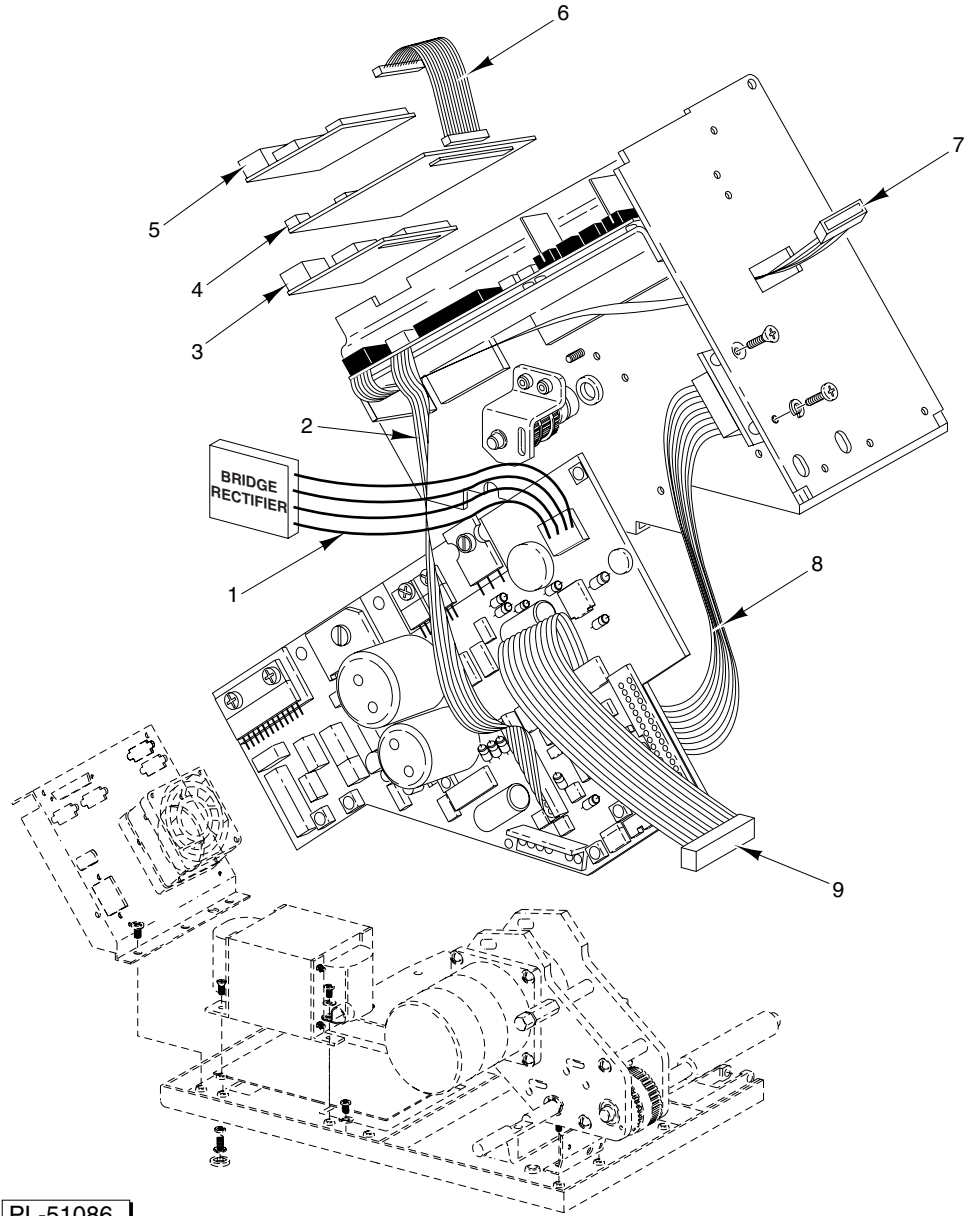


PL-55428

REMOTE CONSOLE UNIT

REMOTE CONSOLE UNIT

ILLUS. PL-55428	PART NO.	NAME OF PART	AMT.
1	SD-015-40	Self-Tapping Screw 8-32 x 3/8 Phil. Pan Hd., Type TT	3
2	00-042218	Cable Assy. (Network Adapter)	1
3	00-042345	Board Assy. (Con Mod. Network Adapter)	1
4	00-041663	Bracket – Nut	1
5	SC-113-10	Mach. Screw 4-40 x 3/8 Phil. Pan Hd.	4
6	00-044026	Spacer	2
7	SC-018-22	Mach. Screw 10-24 x 1/2 Phil. Pan Hd.	2
8	RR-011-83	Retaining Ring	1
9	NS-008-07	Mach. Nut 1/4-20 Square	1
10	00-041618	Clamp	1
11	00-044084	Base – Control Panel	1
12	SC-020-23	Mach. Screw 10-24 x 3/8 Phil. Flat Hd.	2
13	SD-015-40	Self-Tapping Screw 8-32 x 3/8 Phil. Pan Hd., Type TT	2
14	00-041950	Knob Assy.	1
15	00-041621	Pivot – Remote Keyboard	1
16	00-440442	Plug	AR
17	00-44076	Control Panel Base Assembly (Incls. Items 1 thru 11, 13 thru 16)	1



ELECTRICAL CABLES

ELECTRICAL CABLES

ILLUS. PL-51086	PART NO.	NAME OF PART	AMT.
1	00-042292-00001	Bridge Rectifier Lead Wire	AR
2	00-042208	Cable Assy. (15 Connector) Discreet System Conductor	1
3	00-043577	Board Assy. – Scalemaster	1
4	00-042381	Board Assy. – Serial/Parallel (SMT) (Incls. Item 6)	1
5	00-042330	Board Assy. – RS232/ILA	1
6	00-042222	Cable Assy. – Parallel Port	1
7	00-042207	Cable Assy. (14 Connector) Mod. Net	1
8	00-042210	Cable Assy. (34 Connector) Prt. Cont.	1
9	00-048370	Cable Assy. – Printhead (26 Cnd.)	1
	00-042068-00001	Cable Assy. – Scale (4 Ft.) (8 POS SDL, SGL)	AR
	00-042068-00003	Cable Assy. – Scale (8 Ft.) (8 POS SDL, SGL)	AR
	00-042068-00004	Cable Assy. – Scale (10 Ft.) (8 POS SDL, SGL)	AR
	00-042070-00002	Cable Assy. – Operator Console (6 Ft.) (8 POS SDL, SGL)	AR
	00-042070-00003	Cable Assy. – Operator Console (8 Ft.) (8 POS SDL, SGL)	AR
	00-042070-00006	Cable Assy. – Operator Console (17 Ft.) (8 POS SDL, SGL)	AR
	00-042070-00007	Cable Assy. – Operator Console (25 Ft.) (8 POS SDL, SGL)	AR
	00-257200	Power Cord	1

