



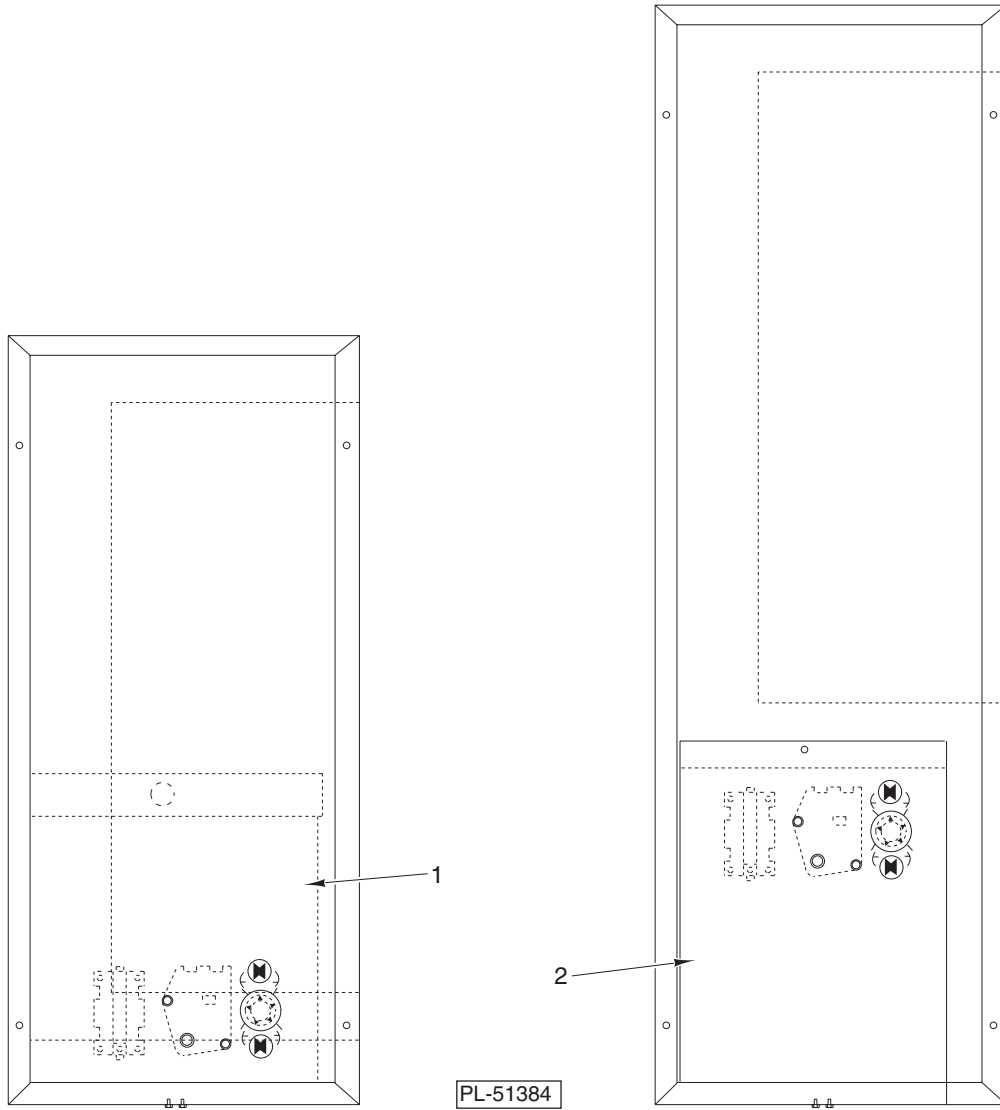
CATALOG OF

REPLACEMENT PARTS

REFRIGERATION SYSTEM

**“U” SERIES
REFRIGERATOR/FREEZER**

**“UB” SERIES
REFRIGERATOR**

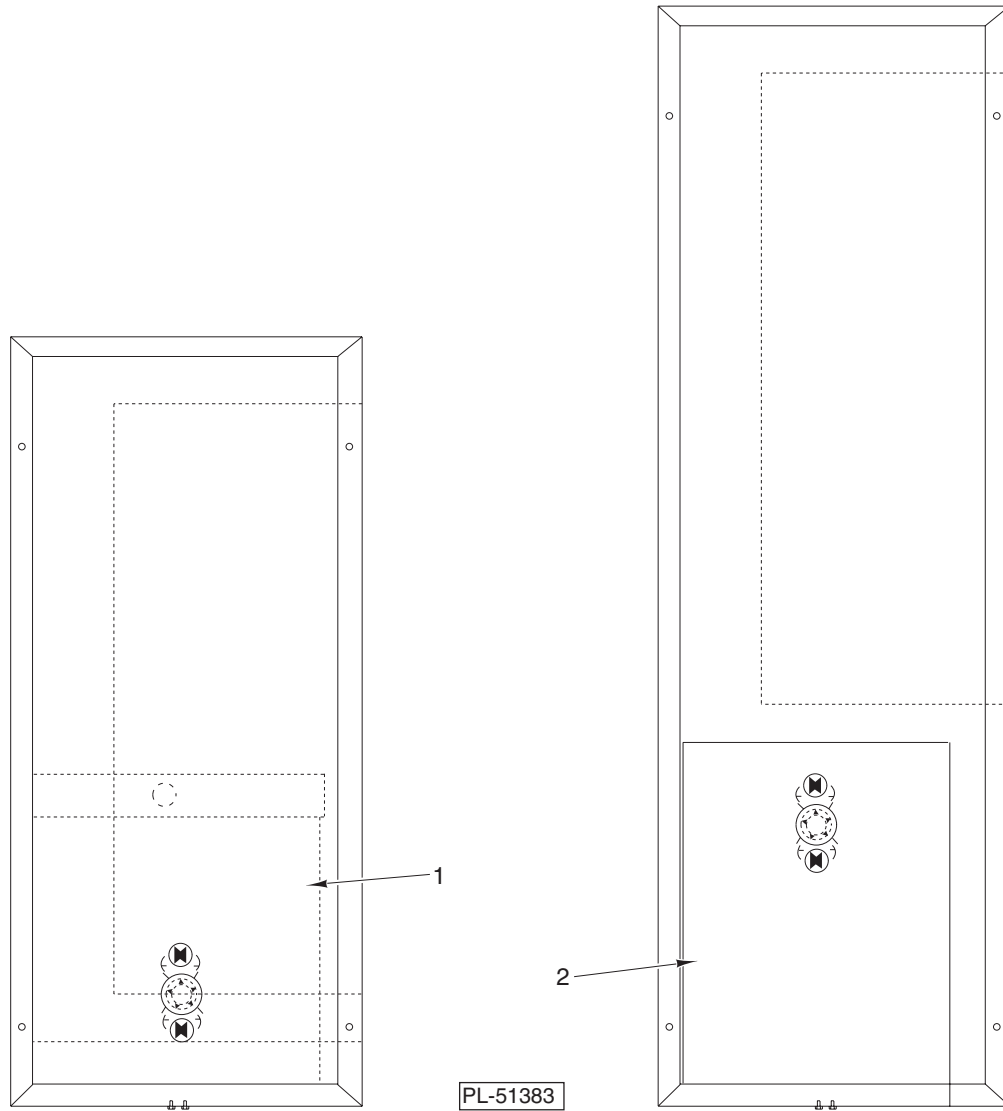


"UB" FREEZER REMOTE

"U" FREEZER REMOTE

REMOTE – FREEZER “U/UB”

ILLUS.	PART NO.	NAME OF PART	AMT.
PL-51384			
1	00-433226-00004	Bracket – Control (UB) (Remote) (Freezer)	1
2	00-433226-00002	Bracket – Control (U) (Remote) (Freezer)	1

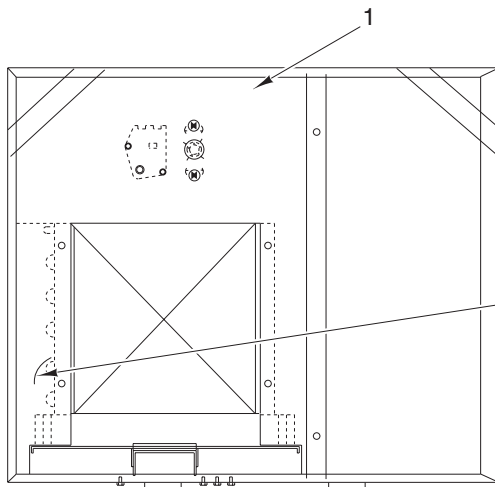


"UB" REFRIGERATOR REMOTE

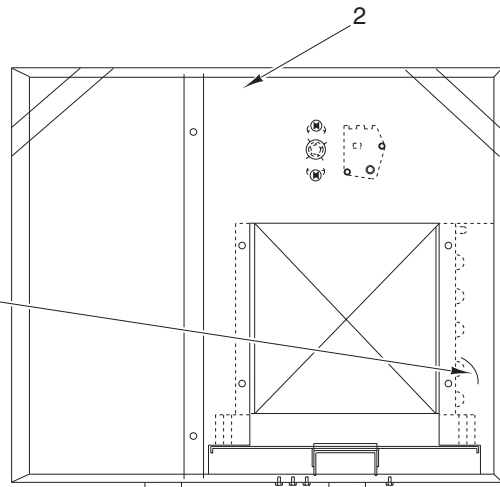
"U" REFRIGERATOR REMOTE

REMOTE – REFRIGERATOR “U/UB”

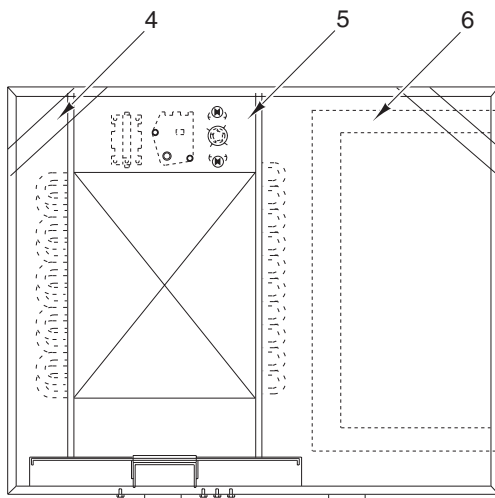
ILLUS.	PART NO.	NAME OF PART	AMT.
PL-51383			
1	00-433226-00003	Bracket – Control (UB) (Remote) (Refrigerator)	1
2	00-433226-00001	Bracket – Control (U) (Remote) (Refrigerator)	1



"UB" REFRIGERATOR (LH)

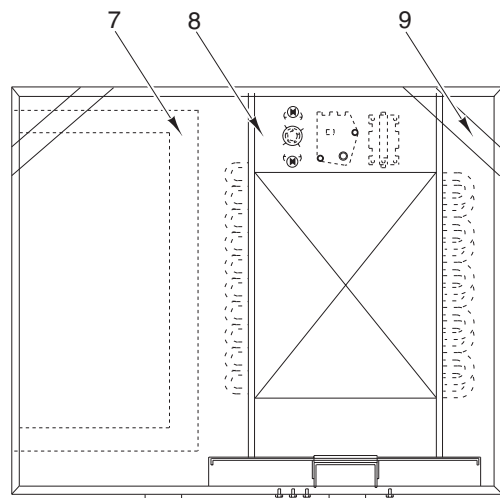


"UB" REFRIGERATOR (RH)



"UB" FREEZER (LH)

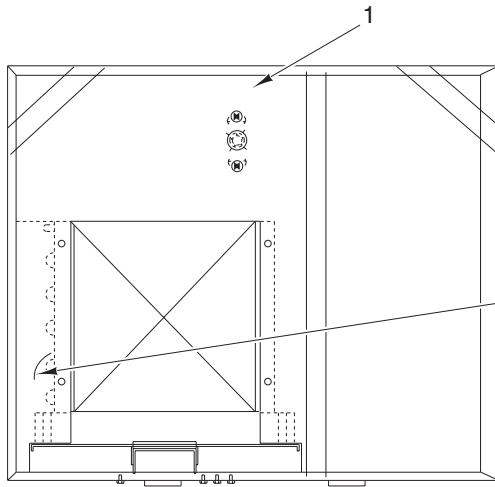
PL-51382



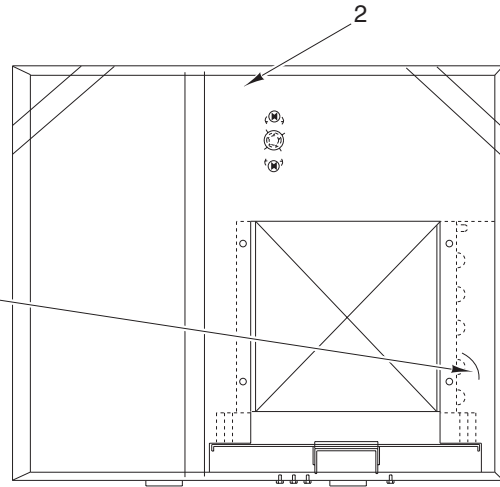
"UB" FREEZER (RH)

REFRIGERATOR/FREEZER "UB"

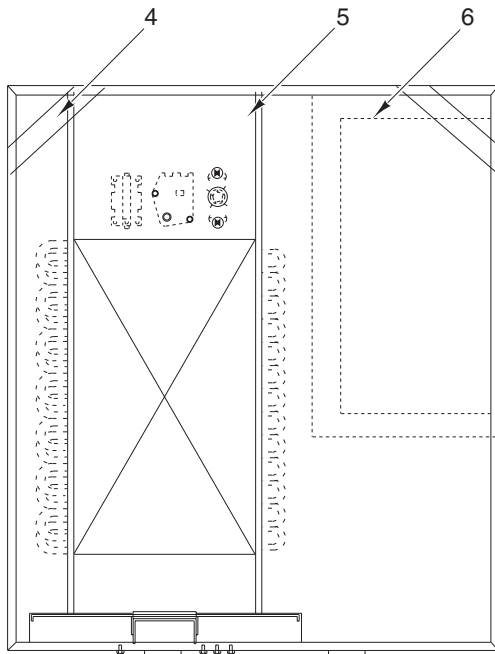
ILLUS.	PART NO.	NAME OF PART	AMT.
	PL-51382		
1	00-433086-00003	Cover – UL (Upper LH Combination)	1
2	00-433086-00004	Cover – UL (Upper RH Combination)	1
3	00-282944	Cover – UL Strip	1
4	00-433098-00003	Cover – UL (UB) (LH) (Freezer System)	1
5	00-433228-00003	Cover – UL (UBF) (Center) (LH)	1
6	00-433097-00003	Cover – UL (UB) (LH) (Freezer System)	1
7	00-433097-00004	Cover – UL (UB) (RH) (Freezer System)	1
8	00-433228-00006	Cover – UL (UBF) (Center) (RH)	1
9	00-433098-00004	Cover – UL (UB) (RH) (Freezer System)	1



"UB" REFRIGERATOR (LH)

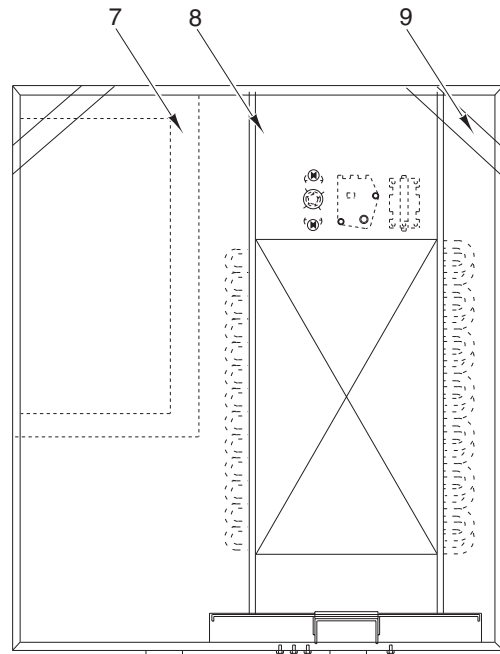


"UB" REFRIGERATOR (RH)



"U" FREEZER (LH)

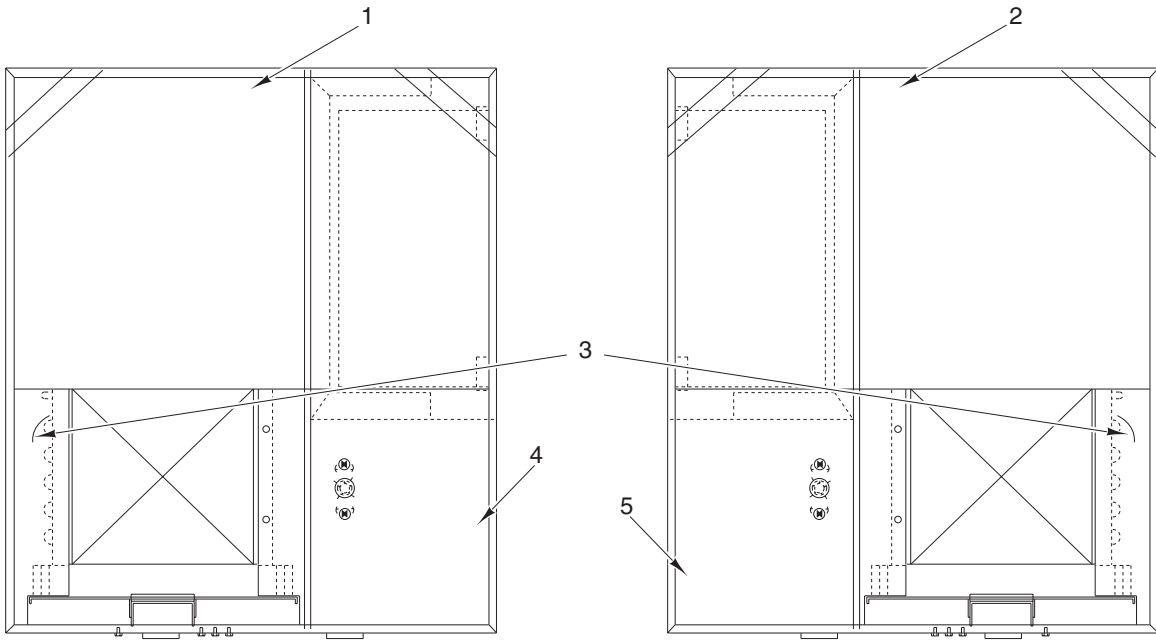
PL-51381



"U" FREEZER (RH)

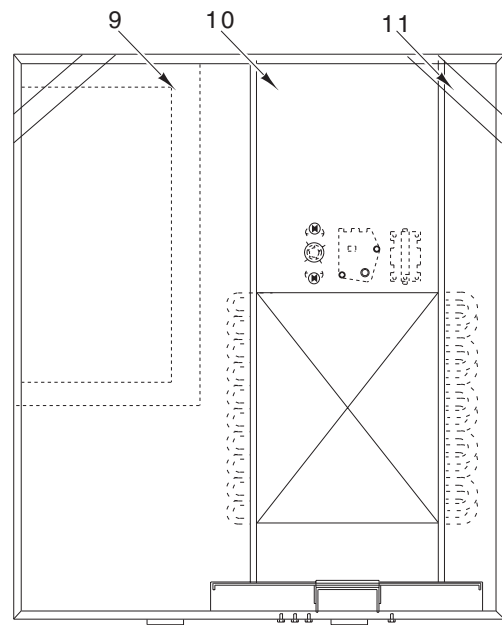
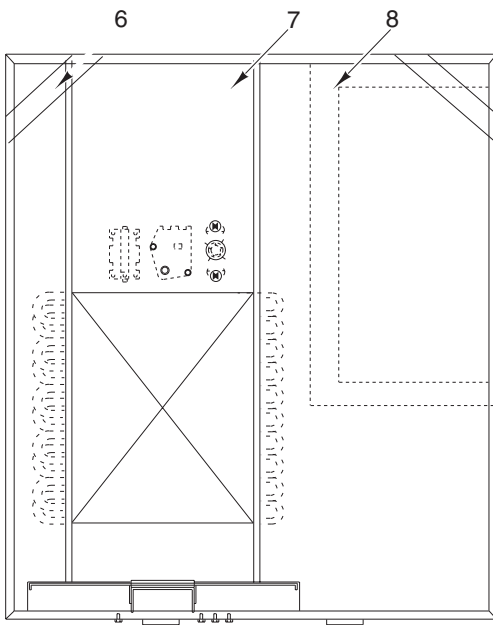
REFRIGERATOR/FREEZER "U/UB"

ILLUS.	PART NO.	NAME OF PART	AMT.
1	00-433086-00001	Cover – UL (Upper) (LH) (Refrigerator)	1
2	00-433086-00002	Cover – UL (Upper) (RH) (Refrigerator)	1
3	00-282944	Cover – UL Strip	1
4	00-433098-00001	Cover – UL (U) (LH) (Freezer System)	1
5	00-433228-00002	Cover – UL (UF) (LH) (Center)	1
6	00-433097-00001	Cover – UL (U) (LH) (Freezer System)	1
7	00-433097-00002	Cover – UL (U) (RH) (Freezer System)	1
8	00-433228-00005	Cover – UL (UF) (RH) (Center)	1
9	00-433098-00002	Cover – UL (U) (RH) (Freezer System)	1



"U" REFRIGERATOR (LH)

"U" REFRIGERATOR (RH)



"U" FREEZER (LH)

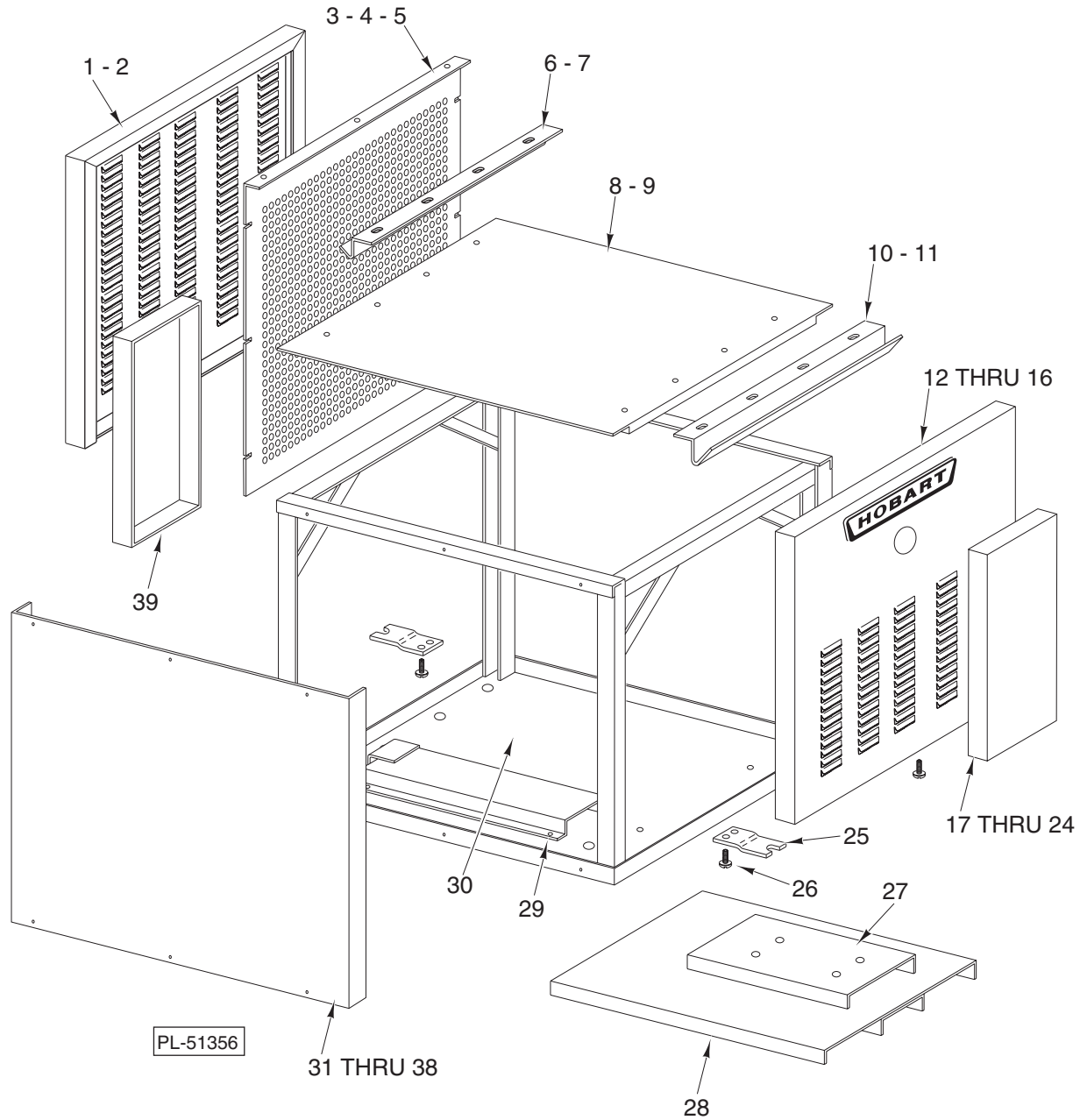
"U" FREEZER (RH)

PL-51380

REFRIGERATOR/FREEZER "U"

REFRIGERATOR/FREEZER "U"

ILLUS.	PART NO.	NAME OF PART	AMT.
PL-51380			
1	00-433062-00001	Cover – UL (LH) (Upper) (Refrigerator)	1
2	00-433062-00002	Cover – UL (RH) (Upper) (Refrigerator)	1
3	00-433063	Cover – UL Strip	1
4	00-433046-00001	Cover – UL (LH) (Lower) (Refrigerator)	1
5	00-433046-00002	Cover – UL (RH) (Lower) (Refrigerator)	1
6	00-433098-00001	Cover – UL (LH) (U) (Freezer System)	1
7	00-433228-00001	Cover – UL (LH) (UF) (Center)	1
8	00-433097-00001	Cover – UL (LH) (U) (Freezer System)	1
9	00-433097-00002	Cover – UL (RH) (U) (Freezer System)	1
10	00-433228-00004	Cover – UL (RH) (UF) (Center)	1
11	00-433098-00002	Cover – UL (RH) (U) (Freezer System)	1

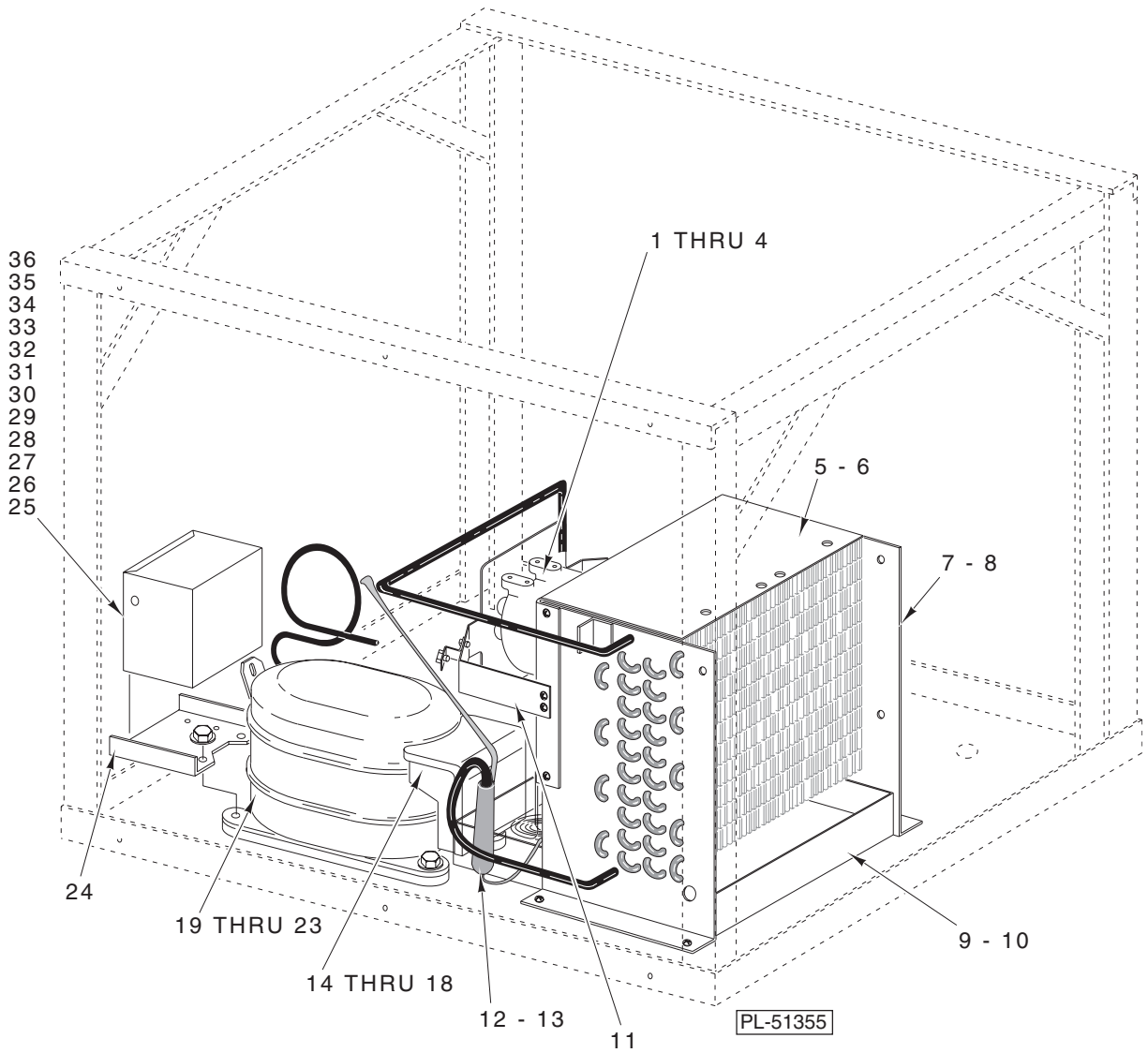


FRAME AND PANELS

FRAME AND PANELS

ILLUS.	PART NO.	NAME OF PART	AMT.
	PL-51356		
1	00-433142-00001	Door – Rear System End (SST) (U)	1
*2	00-433142-00002	Door – Rear System End (Silver) (U)	1
3	00-433083	Shell – Back System End (Remote) (UB)	1
4	00-433096	Shell – Back System End (S/C) (U)	1
5	00-433158	Shell – Back System (S/C) (UB)	1
6	00-433110	Hook – System Door	1
7	00-433171	Hook – System Door (Remote)	1
8	00-433095	Top – System End Enclosure	1
9	00-433079	Top – System End Cover (Remote)	1
10	00-433110	Hook – System Door	1
11	00-433171	Hook – System Door (Remote)	1
12	00-433082-00001	Door – System Front (S/C) (SST) (UB)	1
*13	00-433082-00002	Door – System Front (S/C) (Silver) (UB)	1
14	00-433084-00001	Door – System Front (S/C) (SST) (U)	1
*15	00-433084-00002	Door – System Front (S/C) (Silver) (U)	1
*16	00-433084-00003	Door – System Front (S/C) (DU)	1
17	00-433194-00001	Door – System End (Rear) (SST) (Remote) (U)	1
18	00-433194-00002	Door – End (Rear) (Silver) (Remote) (U)	1
*19	00-433194-00003	Door – System End (Rear) (Remote) (DU)	1
20	00-433077-00001	Door – System Front (Remote) (SST) (U)	1
*21	00-433077-00002	Door – System Front (Remote) (Silver) (U)	1
*22	00-433077-00003	Door – System Front (Remote) (DU)	1
23	00-433170-00001	Door – System Front (Remote) (SST) (UB)	1
*24	00-433170-00002	Door – System Front (Remote) (Silver) (UB)	1
25	00-433218	Hook – Lower System Door	2
26	SD-033-78	Self-Tapping Screw 10-24 x 1/2 Phil. Truss Hd., Type D	4
27	00-433216	Bracket – Adapter	1
28	00-433045	Plate – Condensing Unit Mounting	1
29	00-433068	Slide – Condensing Unit Mounting	1
30	00-433044	Bottom – System Frame (U)	1
31	00-433031-00001	Panel – System End (SST) (U)	1
*32	00-433031-00002	Panel – System End (Permashield) (U)	1
*33	00-433031-00003	Panel – System End (Alumashield) (U)	1
34	00-433031-00004	Panel – System End (Galv.) (U)	1
35	00-433207-00001	Panel – System End (SST) (UB)	1
*36	00-433207-00002	Panel – System End (Permashield) (UB)	1
*37	00-433207-00003	Panel – System End (Alumashield) (UB)	1
38	00-433207-00004	Panel – System End (Galv.) (UB)	1
39	00-433078	Shell – System End Back (Remote) (U)	1

* Permashield and Alumashield are no longer manufactured. Some parts may still be available.

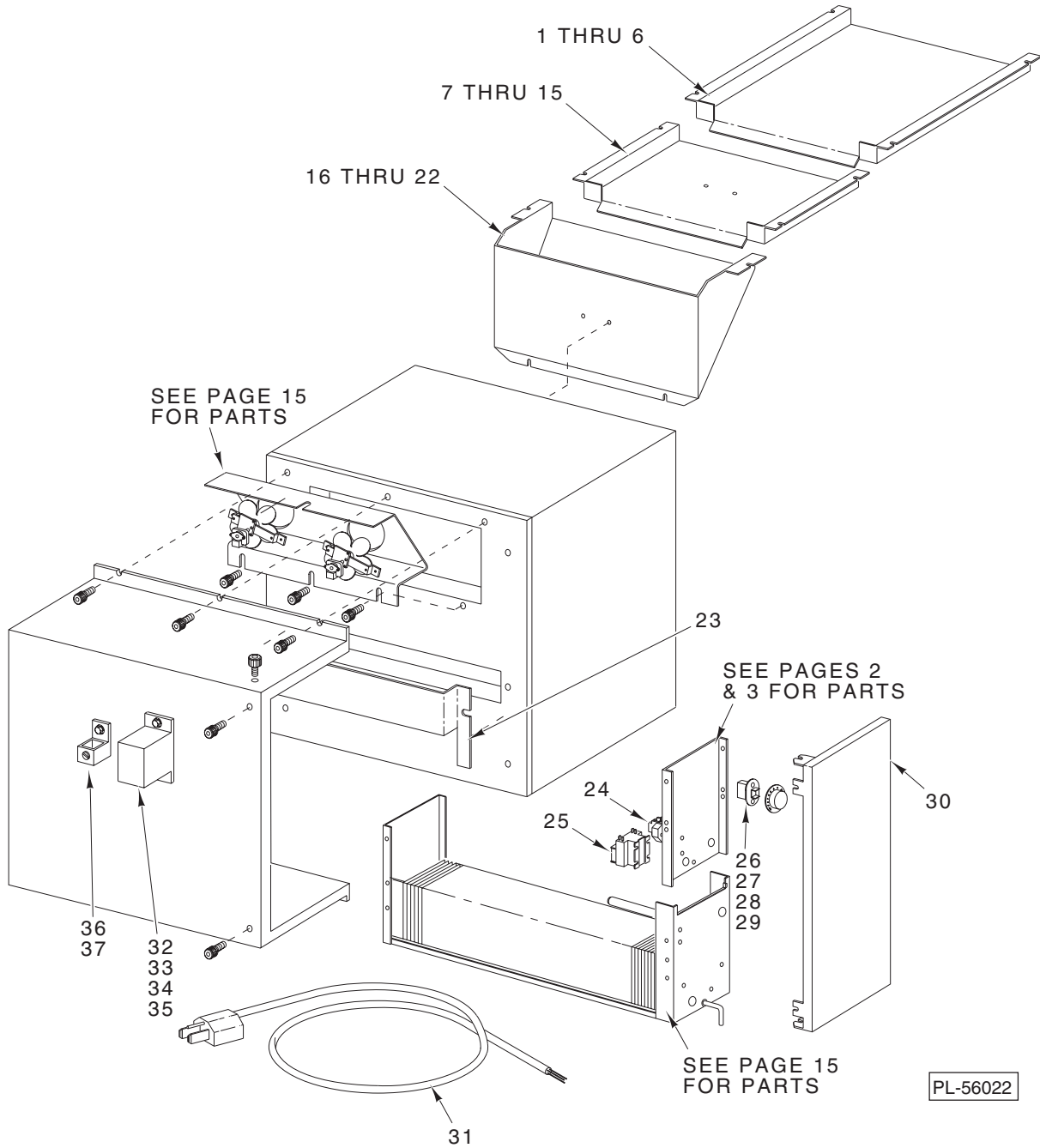


COMPRESSOR/CONDENSER

COMPRESSOR/CONDENSER

ILLUS.	PART NO.	NAME OF PART	AMT.
PL-51355			
*1	00-267074-00001	Motor – Evaporator (115 V.)	1
*2	00-267074-00002	Motor – Evaporator (230 V.)	1
3	00-239512	Blade – Fan	1
4	00-265181	Mach. Screw 8-36 x 3/8 Special	3
*5	00-433195	Coil – Condenser (U/UB)	1
*6	00-433217	Coil – Condenser (UF)	1
7	00-433213	Shroud – Condenser (2 Fan/Freezer)	1
8	00-433111	Shroud – Condenser (Freezer)	1
*9	00-433215	Pan – Condensate Drain	1
10	00-269013	Hose – Drain	1
11	00-433214	Bracket – Condenser Fan	1
12	00-283423-00001	Drier Core (U1/UF1)	1
13	00-283423-00002	Drier Core (UF2/UF3)	1
*14	00-433234-00002	Protector – Overload (Use W/Item 19)	1
*15	00-433234-00001	Protector – Overload (Use W/Item 22)	1
*16	00-433234-00004	Protector – Overload (Use W/Item 21)	1
*17	00-433234-00003	Protector – Overload (Use W/Item 20)	1
*18	00-280920	Protector – Overload (Use W/Item 23)	1
*19	00-433229	Compressor – Copeland (3/4 Hp.)	1
*20	00-433230	Compressor – Copeland (1 Hp.)	1
*21	00-433231	Compressor – Copeland (1/3 Hp.)	1
*22	00-281079	Compressor – Copeland (RSU5-0050)	1
*23	00-280725	Compressor – Copeland (RSN5-0075)	1
24	00-433240	Plate – Capacitor Relay	1
*25	00-281060	Capacitor – Run (Use W/Item 23)	1
*26	00-262895	Capacitor – Start (Use W/Item 23)	1
*27	00-280919	Relay – Potential (Use W/Item 23)	1
*28	00-433093-00001	Capacitor – Run (Use W/Item 20)	1
*29	00-433233-00001	Capacitor – Start (Use W/Item 22)	1
*30	00-433233-00002	Capacitor – Start (Use W/Item 19)	1
*31	00-433233-00003	Capacitor – Start (Use W/Item 20)	1
*32	00-433233-00004	Capacitor – Start (Use W/Item 21)	1
*33	00-433092-00001	Relay Assy. (Use W/Item 22)	1
*34	00-433092-00002	Relay Assy. (Use W/Item 23)	1
*35	00-433092-00003	Relay Assy. (Use W/Item 21)	1
*36	00-262896	Relay Assy. (Use W/Item 19)	1
	00-431814	Condensing Unit (1/4 Hp.)	1
	00-431815	Condensing Unit (1/3 Hp.)	1
	00-433205	Condensing Unit (1/2 Hp.)	1

* Give ML number when ordering part.



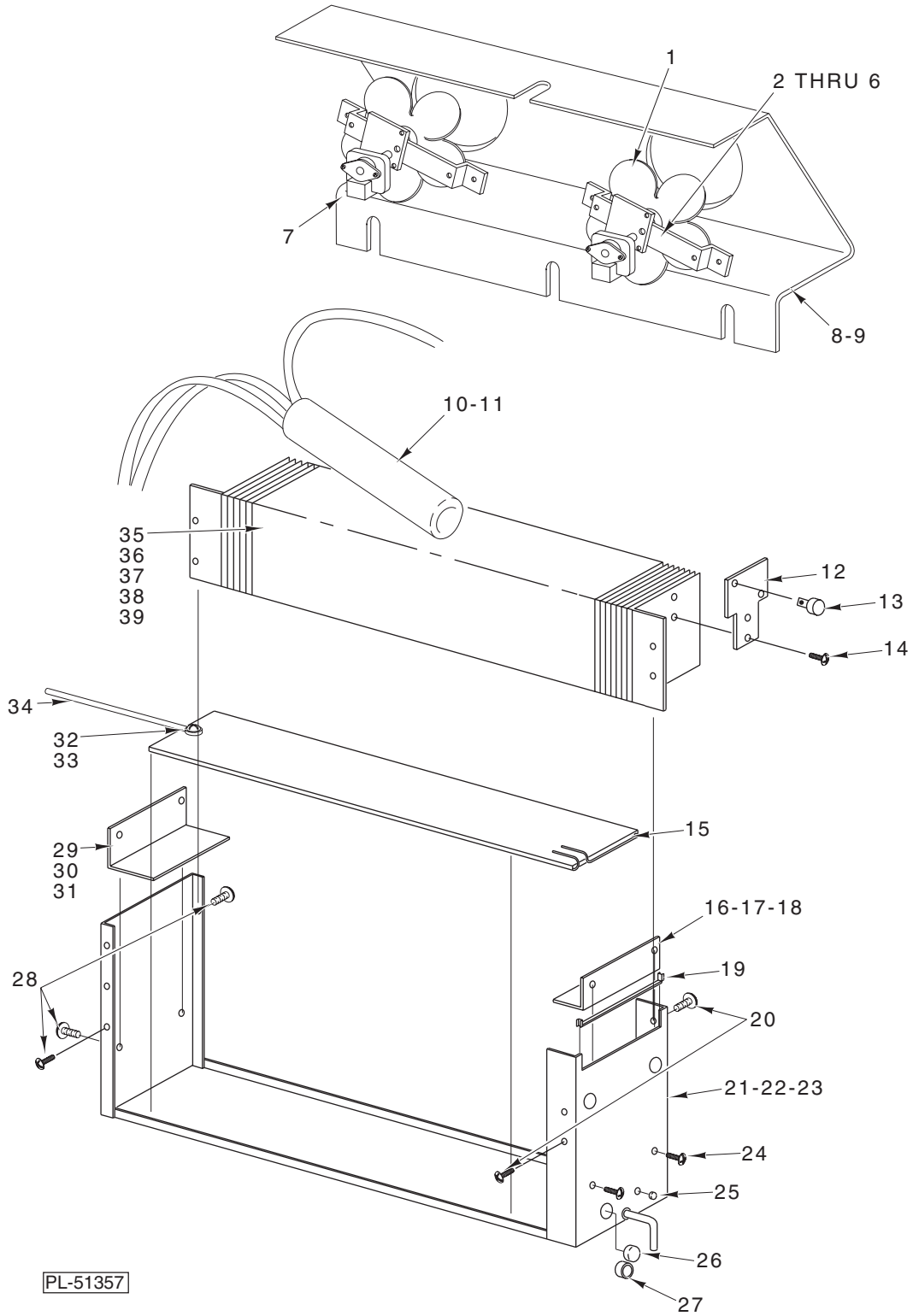
DUCTS

DUCTS

ILLUS.	PART NO.	NAME OF PART	AMT.
PL-56022			
**1	00-433042-00001	Duct – Extension Long (SST)	1
*2	00-433042-00002	Duct – Extension Long (Silver)	1
*3	00-433042-00003	Duct – Extension Long (Alumashield)	1
**4	00-433108-00001	Duct – Extension Long (Deep) (SST)	1
*5	00-433108-00002	Duct – Extension Long (Deep) (Silver)	1
*6	00-433108-00003	Duct – Extension Long (Deep) (Alumashield)	1
**7	00-433041-00001	Duct – Extension Short W/Door (SST)	1
*8	00-433041-00002	Duct – Extension Short W/Door (Silver)	1
*9	00-433041-00003	Duct – Extension Short W/Door (Alumashield)	1
**10	00-433041-00004	Duct – Extension Short W/Drawer (SST)	1
*11	00-433041-00005	Duct – Extension Short W/Drawer (Silver)	1
*12	00-433041-00006	Duct – Extension Short W/Drawer (Alumashield)	1
**13	00-433107-00001	Duct – Extension (SST)	1
*14	00-433107-00002	Duct – Extension (Permashield)	1
*15	00-433107-00003	Duct – Extension (Alumashield)	1
**16	00-433040-00001	Duct – Angle (U Series) (W/Doors) (SST)	1
*17	00-433040-00002	Duct – Angle (U Series) (W/Doors) (Silver)	1
*18	00-433040-00003	Duct – Angle (DU Series) (W/Doors)	1
**19	00-433106	Duct – Angle	1
**20	00-433135-00001	Duct – Angle (U Series) (W/Drawers) (SST)	1
*21	00-433135-00002	Duct – Angle (U Series) (W/Drawers) (Silver)	1
*22	00-433135-00003	Duct – Angle (DU Series) (W/Drawers)	1
**23	00-433085	Baffle – Air Inlet	1
**24	00-280599	Timer – Defrost	1
25	00-087713-075-1	Contacto – Single Pole (110-120 V., 50/60 Hz.)	1
**26	00-267274	Control Assy. (Freezer Unit)	1
**27	00-267275	Control Assy. (Refrigerator Unit)	1
28	SD-008-40	Self-Tapping Screw 8-18 x 3/8 Phil. Truss Hd., Type B	2
29	00-281817	Control – Temperature	1
**30	00-433049	Lid – Evaporator Box	1
31	00-433197	Cord (115 V.) (15 Amp.) (W/Terminals)	1
32	00-117256	Block – Terminal (1.625 x 0.688 x 0.5)	1
33	00-294325-002-2	Block – Terminal (2.469 x 1.188 x 1.250)	1
34	00-294325-001-2	Mounting Foot – Terminal Block	1
35	SD-009-34	Self-Tapping Screw 6-32 x 3/8 Phil. Pan Hd., Type F	2
36	00-118544-00001	Lug – Solderless	1
37	SD-033-33	Self-Tapping Screw 8-18 x 5/8 Phil. Truss Hd., Type A	1

* Permashield and Alumashield are no longer manufactured. Some parts may still be available.

** Give ML number when ordering part.

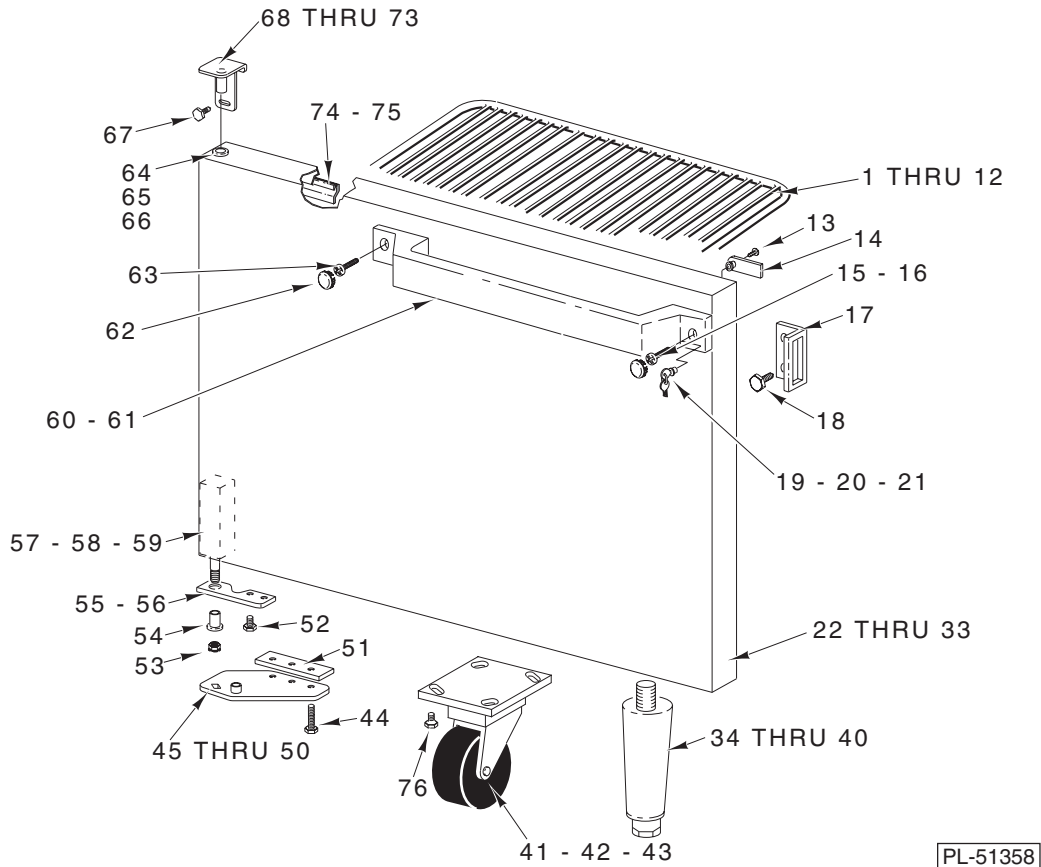


EVAPORATOR

EVAPORATOR

ILLUS.	PART NO.	NAME OF PART	AMT.
	PL-56023		
1	00-433090	Blade – Evaporator Fan	AR
2	00-283439	Bracket – Fan Motor	2
3	00-265780-00001	Insert – Avdel	4
4	SC-110-13	Mach. Screw 10-32 x 5/8 Phil. Rd. Hd.	4
5	WL-007-12	Lockwasher #10 External Shakeproof	4
6	NS-009-12	Mach. Nut 8-32 Hex	4
7	00-430061	Motor – Evaporator Fan (115/60/1) (Horiz.)	AR
8	00-433047	Orifice – Evaporator Fan Bracket (U1, 2, & 3, UB1, 2, & 3, UF2 & 3)	1
9	00-433150	Orifice – Evaporator Fan Bracket (U/UB Freezer)	1
10	00-262708	Accumulator (U1, 2, 3, UF1, UB1, 2, & 3)	1
11	00-262712	Accumulator (UF1, 2, & 3)	1
12	00-239872	Bracket – Safety Thermostat	1
13	00-269122	Thermostat – Safety	1
14	SD-008-40	Self-Tapping Screw 8-18 x 3/8 Phil. Truss Hd., Type B	2
15	00-269240	Drain Pan Heater Assy.	1
16	00-433087-00003	Bracket – Evaporator Support	1
17	00-433087-00004	Bracket – Evaporator Support	1
18	SD-033-78	Self-Tapping Screw 10-24 x 1/2 Phil. Truss Hd., Type D	2
19	00-541082	Channel – Plastic	2
20	00-239309-00006	Plug – Canoe Clip Hole	AR
21	00-433070-00001	Evaporator Support & Drain Pan Weldment (U)	1
22	00-433070-00002	Evaporator Support & Drain Pan Weldment (UB) (RH)	1
23	00-433070-00003	Evaporator Support & Drain Pan Weldment (UB) (LH)	1
24	SD-008-40	Self-Tapping Screw 8-18 x 3/8 Phil. Truss Hd., Type B	2
25	FE-014-13	Grommet	1
26	PB-004-13	Plug Button 7/8	1
27	FE-021-18	Relief – Strain Electrical	1
28	00-239309-00006	Plug – Canoe Clip Hole	AR
29	00-433087-00003	Bracket – Evaporator Support	1
30	00-433087-00004	Bracket – Evaporator Support	1
31	SD-033-78	Self-Tapping Screw 10-24 x 1/2 Phil. Truss Hd., Type D	2
32	SD-008-40	Self-Tapping Screw 8-18 x 3/8 Phil. Truss Hd., Type B	1
33	WL-010-06	Lockwasher #10 External Shakeproof (Bronze)	1
34	00-266172-00001	Lead Wire Assy.	1
*35	00-262574-00002	Evaporator (U & UB Series)	1
*36	00-262575-00002	Evaporator F1 (U2 & 3, UB1, UF1, UBF1)	1
*37	00-262576-00002	Evaporator F2 (U1 & 2, UB2 & 3, UF1 & 2)	1
*38	00-269038	Evaporator (UF3, U3)	1
*39	00-239079	Heater – Defrost (Coil)	1
	00-249863-00035	Valve – Expansion FU ^{1/4} -Z	1
	00-249863-00039	Valve – Expansion FRE ^{-1/4} -Z (UB3/U2)	1
	00-249863-00042	Valve – Expansion FUE ^{-1/2} -Z (U3)	1
	00-249863-00048	Valve – Expansion FRE ^{-1/8} -Z (UB2/U1)	1
	00-249863-00049	Valve – Expansion FR ^{-1/8} -Z (UBF1)	1
	00-430327-00003	Valve – Evaporator Distributor (U1 & 2, UB2 & 3)	1
	00-430327-00005	Valve – Distributor (U2 & 3, UB3)	1
	00-430327-00006	Valve – Distributor (U3)	1
	00-430327-00010	Valve – Evaporator Distributor (UF1)	1
	SD-033-08	Self-Tapping Screw 5/16-18 x 1 Hex Washer Hd., Type TT (Use W/Expansion Valves)	AR
	WL-019-01	Lockwasher 5/16 Internal (Use W/Expansion Valves)	AR

* Give ML number when ordering part.



PL-51358

CABINET DOOR

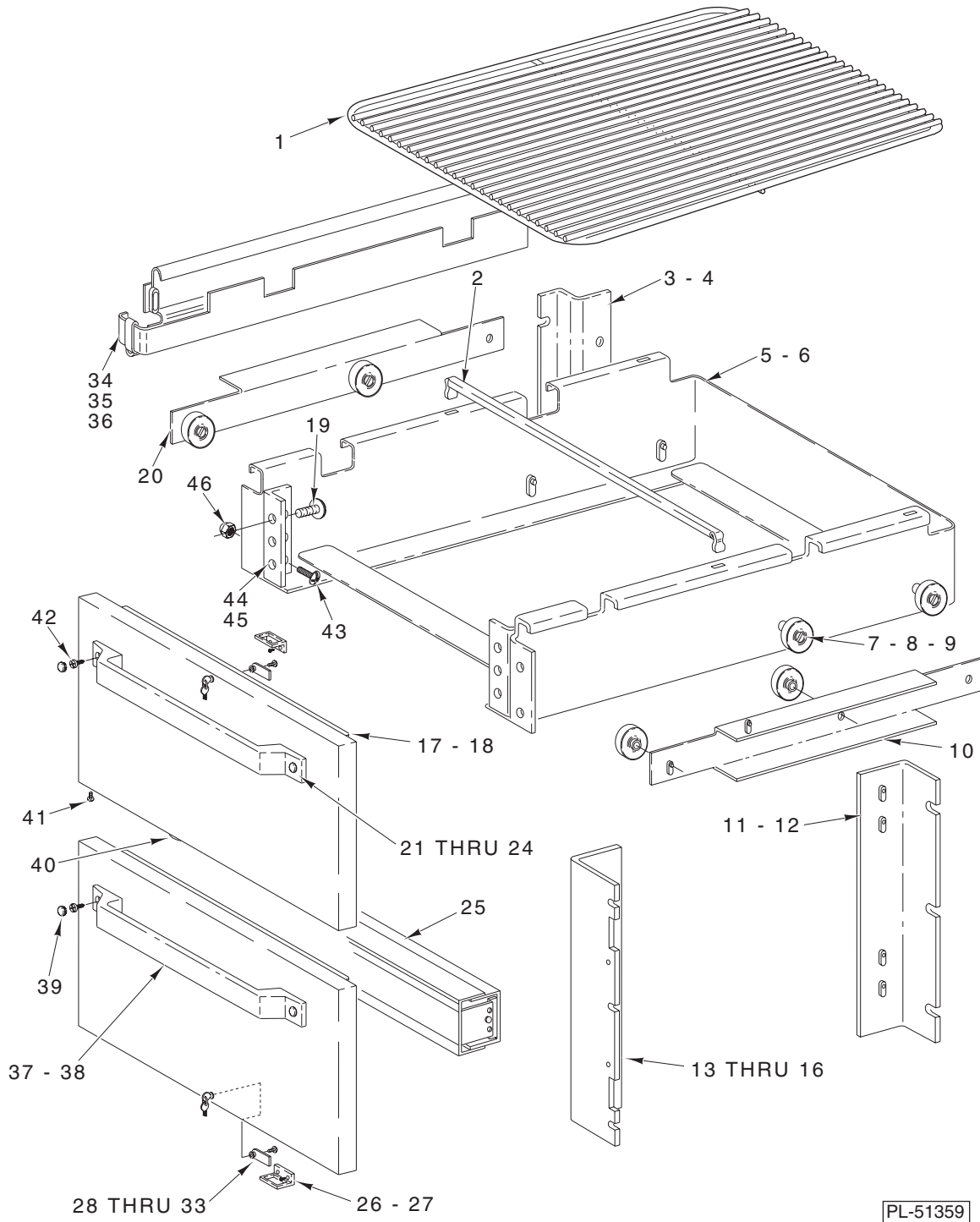
ILLUS.	PART NO.	NAME OF PART	AMT.
	PL-51358		
1	00-239041	Shelf (STD)	AR
2	00-239045	Shelf (SST)	AR
3	00-239046	Shelf (Heavy Duty)	AR
4	00-239067	Rack – Wine	AR
5	00-265115	Stop – Slides	AR
6	00-265117	Support Shelf Assy.	AR
7	00-263321	Slide – Pull-Out (24")	AR
8	00-263912	Support – Slide	AR
9	SC-010-07	Mach. Screw 8-32 x 1/2 Truss Hd.	AR
10	NS-010-11	Mach. Nut 8-32 Hex (Brass)	AR
11	WL-007-07	Lockwasher #8 External Shakeproof	AR
12	00-279686	Clip – Shelf (SST) (Double Row)	AR
13	SD-036-19	Self-Tapping Screw 10-32 x 1 1/4 Phil. Pan Hd., Type TT	AR
14	00-261688-00003	Bolt – Handle (Series H)	AR
15	SA-021-36	Screw Assy. 10-24 x 3/8 Phil. Pan Hd., External Lockwasher	1
16	00-239309-00004	Plug – Hole	1
17	00-280049	Strike – Door	1

CABINET DOOR (Cont.)

ILLUS.	PART NO.	NAME OF PART	AMT.
	PL-51358		
18	SD-036-20	Self-Tapping Screw 10-24 x 1 Hex Washer Hd., Type T (SST)	1
19	00-261691	Plug Lock Assy.	1
20	00-206068	Key (XC3)	1
21	00-269710	Lock – Cylinder	1
**22	00-433134-00001	Door – Glass (LH) (U)	1
**23	00-433134-00002	Door – Glass (RH) (U)	1
**24	00-433120-00008	Door – Solid (LH) (SST) (UB)	1
**25	00-433120-00007	Door – Solid (RH) (SST) (UB)	1
*26	00-433120-00009	Door – Solid (LH) (Silver) (UB)	1
*27	00-433120-00010	Door – Solid (RH) (Silver) (UB)	1
**28	00-433120-00002	Door – Solid (LH) (SST) (U)	1
**29	00-433120-00001	Door – Solid (RH) (SST) (U)	1
*30	00-433120-00004	Door – Solid (LH) (Silver) (U)	1
*31	00-433120-00003	Door – Solid (RH) (Silver) (U)	1
**32	00-433120-00006	Door – Solid (LH) (SST) (DU)	1
**33	00-433120-00005	Door – Solid (RH) (SST) (DU)	1
34	00-266718-00001	Leg Assy. (U/UB) (1 & 2 Section) (Set of 4)	1
35	00-269333	Leg Assy. (U/UB) (1 & 2 Section) (Set of 4)	1
36	00-269170	Leg – Flanged Feet	1
37	00-269335	Feet – Flanged (U/UB3) (Set of 6)	1
38	00-430112	Leg (DU ^{1/2}) (Set of 4)	1
39	00-280317	Leg (DU3) (Set of 6)	1
40	00-266718-00002	Leg (U/UB3) (Set of 6)	1
41	00-430415-00001	Caster With Brake	2
42	00-430415-00002	Caster Without Brake	2
43	00-281522-00001	Casters (Set of 4) (Incls. Items 37 & 38)	1
44	SD-033-08	Self-Tapping Screw ⁵ / ₁₆ -18 x 1 Hex Washer Hd., Type TT	3
45	00-283067-00001	Standard Hinge Plate Assy. (LH)	1
46	00-283067-00002	Standard Hinge Plate Assy. (RH)	1
47	00-267143-00001	Ardco Hinge Plate Assy. (LH) (Glass Doors)	1
48	00-267143-00002	Ardco Hinge Plate Assy. (RH) (Glass Doors)	1
49	SC-067-05	Mach. Screw 8-32 x ¹ / ₂ Hex Hd. (SST)	1
50	WS-028-21	Washer (SST)	1
51	00-265716	Plate – Washer Hinge	1
52	SD-032-07	Self-Tapping Screw 10-24 x ¹ / ₂ Hex Washer Hd., Type TT	2
53	NS-031-22	Nut – Stop ¹ / ₄ -28 Special	1
54	00-239558	Bushing – Door Stop (Std.)	1
55	00-239665	Stop – Door (LH)	1
56	00-239666	Stop – Door (RH)	1
57	00-267273	Hinge Mechanism Assy.	1
58	SA-021-37	Screw Assy. 10-32 x ⁵ / ₁₆ Phil. Fil. Hd.	1
59	WS-019-20	Washer (SST)	1
60	00-281548	Handle – Door (Horiz.)	1
61	00-431868	Handle – Door (Vert.)	1
62	00-239309-00004	Plug – Hole	1
63	SD-036-19	Self-Tapping Screw 10-32 x ¹ / ₄ Phil. Pan Hd., Type TT	1
64	00-267174	Bushing – Door Stop (Short)	1
65	00-278772	Bushing – Nylon	1
66	WS-019-20	Washer (SST)	1
67	SD-036-20	Self-Tapping Screw 10-24 x 1 Hex Washer Hd., Type T (SST)	1
68	00-267039-00001	Door Hinge Assy. (Half Height) (LH)	1
69	00-267039-00002	Door Hinge Assy. (Half Height) (RH)	1
70	00-267043-00002	Shim	1
71	SD-036-20	Self-Tapping Screw 10-24 x 1 Hex Washer Hd., Type T (SST)	AR
72	00-267157-00001	Ardco Hinge Assy. (Half Height) (Glass Doors) (LH)	1
73	00-267157-00002	Ardco Hinge Assy. (Half Height) (Glass Doors) (RH)	1
74	00-280984-00005	Gasket – Extrusion (Single Door) (U Series)	AR
75	00-280984-00029	Gasket – Extrusion (Single Door) (UB Series)	AR
	SD-015-09	Self-Tapping Screw ⁵ / ₁₆ -18 x ³ / ₄ Hex Washer Hd., Type TT	16

* Permashield and Alumashield are no longer manufactured. Some parts may still be available.

** Give ML number when ordering part.

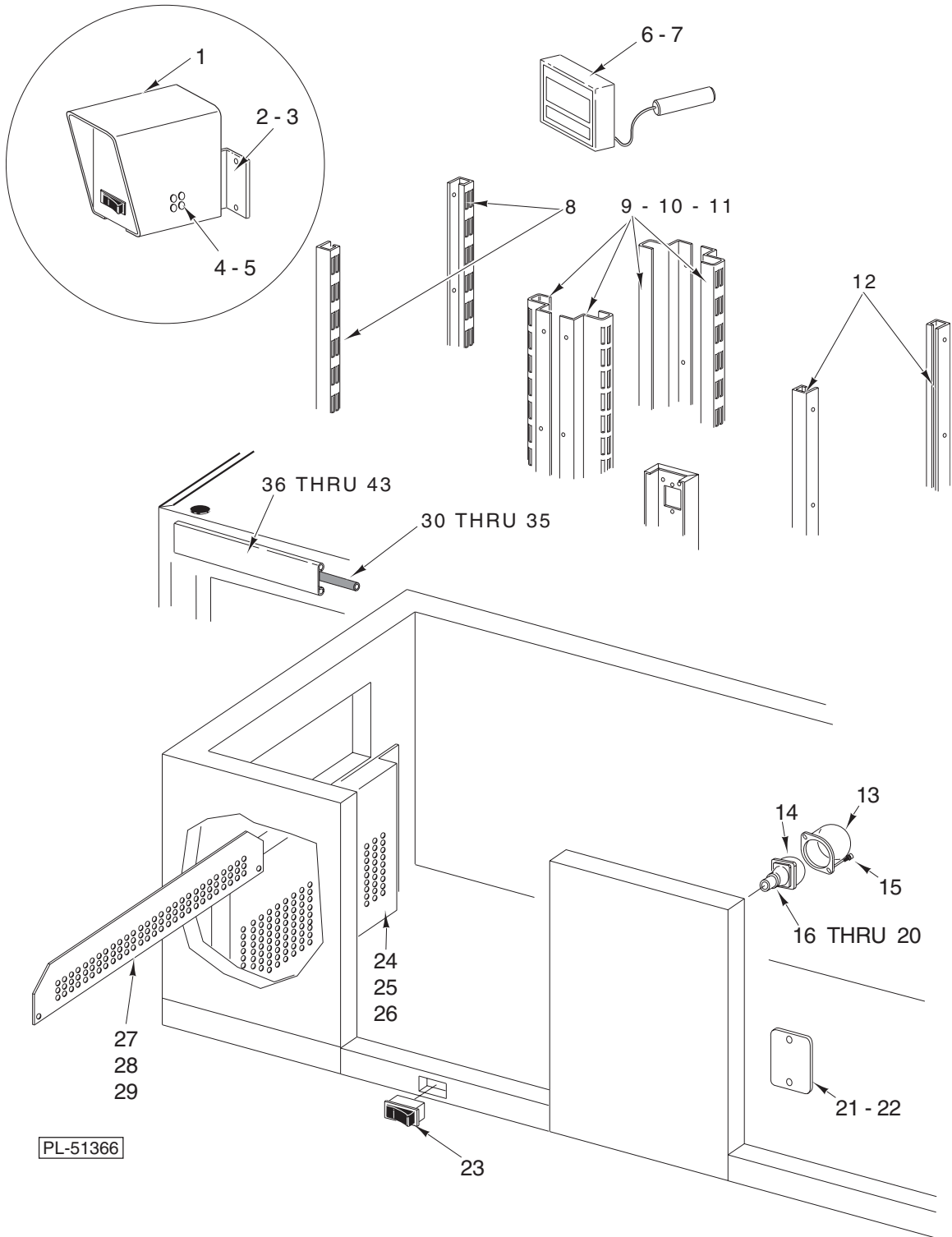


DRAWER ASSEMBLY

DRAWER ASSEMBLY

ILLUS.	PART NO.	NAME OF PART	AMT.
	PL-51359		
1	00-261436	Shelf – Wire	1
2	00-433223	Stop – Drawer Pan	2
3	00-433182	Bracket – Weldment (Z) (UB Series)	2
4	00-433152	Bracket (Z)	2
5	00-282921	Drawer Frame Weldment (U Series)	1
6	00-282138	Drawer Frame Weldment (UB Series)	1
7	00-280502	Ball Bearing	8
8	WS-032-07	Washer (SST)	8
9	SC-022-36	Mach. Screw 1/4-20 x 1 1/4 Flat Hd. (SST)	8
10	00-433177	Channel – Drawer Weldment	1
11	00-433166	Bracket – Rear Weldment (U Series)	1
12	00-433184	Bracket – Rear Weldment (L) (UB Series)	1
13	00-433168	Bracket – Front Weldment (L) (U Series)	1
14	00-433186	Bracket – Front Weldment (L) (UB Series)	1
15	00-266357-00003	Thumb Screw – Knurled (SST)	AR
16	00-070641-00016	Thumb Screw #8	AR
17	00-280984-00027	Gasket – Drawer (U Series)	1
18	00-280984-00028	Gasket – Drawer (UB Series)	1
19	SD-033-34	Self-Tapping Screw 10-24 x 5/8 Phil. Pan Hd., Type D (SST)	6
20	00-433177	Channel – Drawer Weldment	1
21	PB-004-26	Plug Button 1/2	1
22	SD-012-10	Self-Tapping Screw 10-32 x 3/4 Phil. Pan Hd., Type 23	1
23	00-432752	Washer – Handle (W/O Lock)	1
24	SD-033-34	Self-Tapping Screw 10-24 x 5/8 Phil. Pan Hd., Type D (SST)	1
25	00-268585	Mullion – Horizontal	1
26	00-280049	Strike – Door	1
27	SD-036-20	Self-Tapping Screw 10-24 x 1 Hex Washer Hd., Type T (SST)	4
28	00-261688	Bolt – Handle (Series H)	1
29	00-278772	Bushing – Nylon	1
30	00-261691	Plug Lock Assy.	1
31	SA-021-36	Mach. Screw Assy. 10-24 x 3/8 Phil. Pan Hd., External Lockwasher	1
32	00-269943	Clip	1
33	00-269710	Lock – Cylinder	1
34	00-282878	Drawer Slide Weldment (U/UB)	2
35	00-433137-00002	Drawer Slide Weldment (Sq. Fish Drawer)	2
36	SC-018-40	Mach. Screw 1/4-20 x 1/2 Phil. Pan Hd.	4
37	00-431868	Handle – Door (Dealer)	1
38	00-281450	Handle – Door	1
39	PB-002-38	Plug Button 1/2	1
40	PB-004-13	Plug Button 7/8	1
41	SD-033-78	Self-Tapping Screw 10-24 x 1/2 Phil. Truss Hd., Type D	8
42	SD-036-27	Self-Tapping Screw 12-24 x 3/4 Phil. Flat Countersunk Hd., Type T	2
43	SD-037-98	Self-Tapping Screw 10-24 x 3/8 Phil. Pan Hd., Type F (SST)	6
44	00-269991-00005	Bracket – Drawer Face Mounting	2
45	00-269991-00006	Bracket – Drawer Face Mounting	2
46	NS-031-16	Stop Nut 10-24 Special (SST)	6
	00-295106	Padlock – Post (Single)	1
	00-295107	Padlock – Post (Double)	1

Note: Quantities Listed Are For 1 Drawer Assy.

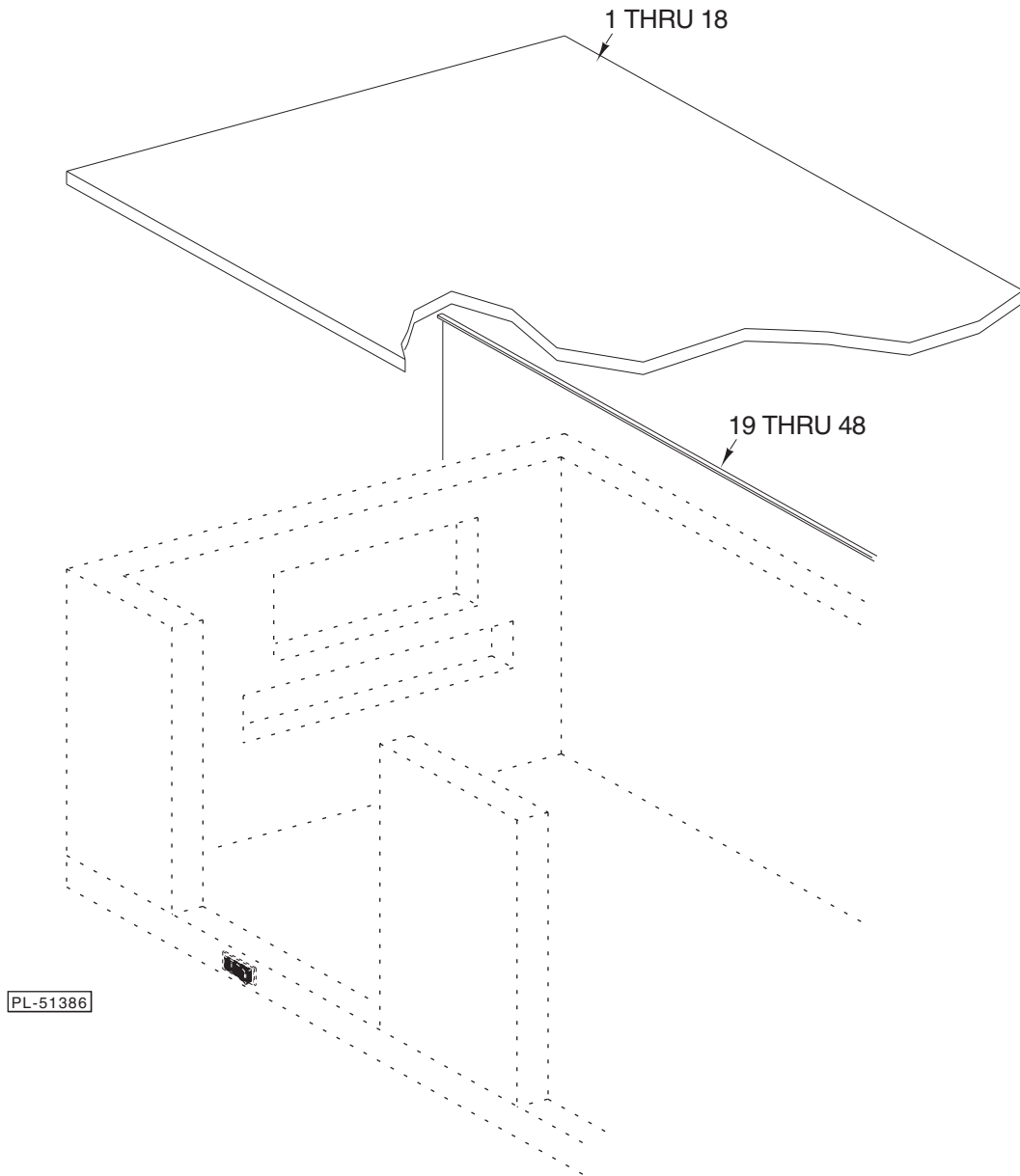


INTERIOR LIGHTS, THERMOMETER, AND ALARM

INTERIOR LIGHTS, THERMOMETER, AND ALARM

ILLUS.	PART NO.	NAME OF PART	AMT.
PL-51366			
1	00-249906-00003	Box – Alarm (TAH-100)	1
2	00-262433	Bracket – Alarm Box Mtg.	1
3	SD-032-07	Self-Tapping Screw 10-24 x 1/2 Hex Washer Hd., Type TT	2
4	00-249907-00003	Sensor – Low Temp.	1
5	00-249907-00004	Sensor – Med. Temp.	1
6	00-431677	Thermometer – Solar	1
7	00-268139	Switch (On/Off)	1
8	00-433173	Pilaster – Standard End (UB)	AR
9	00-433172	Pilaster – Mullion (UB)	AR
10	00-433114	Pilaster – Mullion (U)	AR
11	00-281526-00001	Pilaster – End (Front & Rear) (Aluminum)	AR
12	00-433173	Pilaster – Standard End (UB)	AR
13	00-239059	Shield – Light	1
14	00-263041	Bulb – Light (40 W.)	1
15	00-266357-00003	Thumb Screw – Knurled (SST)	2
16	00-263035	Holder – Lamp	1
17	00-433201	Harness – Light (2-Section) (Roll-In or Pass-Thru)	1
18	00-433203	Harness – Light (3-Section) (Roll-In or Pass-Thru)	1
19	00-433204	Harness – Light (3-Section) (Pass-Thru)	1
20	00-433200	Harness – Light Jumper (2 or 3 Section) (Roll-In or Pass-Thru)	1
21	00-267876-00001	Cover – Lamp Cutout (SST)	1
22	00-267876-00002	Cover – Lamp Cutout (Aluminum)	1
23	00-334269	Switch – Safety	1
24	00-433039-00001	Duct – Air Return (SST)	1
*25	00-433039-00002	Duct – Air Return (Permashield)	1
*26	00-433039-00003	Duct – Air Return (Alumashield)	1
27	00-433081-00001	Grill – Intake (UB) (SST)	1
*28	00-433081-00002	Grill – Intake (UB) (Silver)	1
*29	00-433081-00003	Grill – Intake (UB) (Alumashield)	1
30	00-266419-00008	Heater – Door Perimeter (UF1)	AR
31	00-266419-00009	Heater – Door Perimeter (UF2)	AR
32	00-266419-00010	Heater – Door Perimeter (UF3)	AR
33	00-266419-00016	Heater – Door Perimeter (UBF1)	AR
34	00-266419-00017	Heater – Door Perimeter (UBF2)	AR
35	00-266419-00018	Heater – Door Perimeter (UBF3)	AR
36	00-280368-00005	Plate – Gasket Seal (23.5") (U/UB) (Horizontal)	AR
37	00-280368-00006	Plate – Gasket Seal (22.3") (U/UB) (Horizontal)	AR
38	00-280368-00007	Plate – Gasket Seal (26.265") (U) (Vertical)	AR
39	00-280368-00008	Plate – Gasket Seal (17.265") (UB) (Vertical)	AR
40	00-280368-00009	Plate – Gasket Seal (16.218") (UB) (Vertical Mullion)	AR
41	00-280368-00010	Plate – Gasket Seal (5.0") (U2/UB2) (Horizontal Lower)	AR
42	00-280368-00011	Plate – Gasket Seal (39.188") (U3/UB3) (Horizontal Lower)	AR
43	00-280368-00012	Plate – Gasket Seal (25.218") (U) (Vertical Mullion)	AR
	ML-030000	Alarm System (Med. Temp) (Incls. Items 1, 2, 3, & 5)	1
	ML-030001	Alarm System (Low Temp) (Incls. Items 1 thru 4)	1

* Permashield and Alumashield are no longer manufactured. Some parts may still be available.



TOP AND BACK PANELS

TOP AND BACK PANELS

ILLUS.	PART NO.	NAME OF PART	AMT.
	PL-51386		
1	00-433125-00001	Top – Flat (1 Section) (Front Opening) (S/C System)	1
2	00-433125-00002	Top – Flat (2 Section) (Front Opening) (S/C System)	1
3	00-433125-00003	Top – Flat (3 Section) (Front Opening) (S/C System)	1
4	00-433125-00004	Top – Flat (1 Section) (Pass-Thru) (S/C System)	1
5	00-433125-00005	Top – Flat (2 Section) (Pass-Thru) (S/C System)	1
6	00-433125-00006	Top – Flat (3 Section) (Pass-Thru) (S/C System)	1
7	00-433125-00007	Top – Flat (1 Section) (Front Opening) (Remote)	1
8	00-433125-00008	Top – Flat (Front Opening) (2 Section) (Remote)	1
9	00-433125-00009	Top – Flat (3 Section) (Front Opening) (Remote)	1
10	00-433125-00010	Top – Flat (1 Section) (Pass-Thru) (Remote)	1
11	00-433125-00011	Top – Flat (2 Section) (Pass-Thru) (Remote)	1
12	00-433125-00012	Top – Flat (3 Section) (Pass-Thru) (Remote)	1
13	00-433126-00001	Top – Backsplash (1 Section) (S/C System)	1
14	00-433126-00002	Top – Backsplash (2 Section) (S/C System)	1
15	00-433126-00003	Top – Backsplash (3 Section) (S/C System)	1
16	00-433126-00004	Top – Backsplash (1 Section) (Remote)	1
17	00-433126-00005	Top – Backsplash (2 Section) (Remote)	1
18	00-433126-00006	Top – Backsplash (3 Section) (Remote)	1
19	00-433180-00001	Back (U1) (SST) (S/C System)	1
20	00-433180-00002	Back (U2) (SST) (S/C System)	1
21	00-433180-00003	Back (U3) (SST) (S/C System)	1
*22	00-433180-00004	Back (U1) (Permashield) (S/C System)	1
*23	00-433180-00005	Back (U2) (Permashield) (S/C System)	1
*24	00-433180-00006	Back (U3) (Permashield) (S/C System)	1
*25	00-433180-00007	Back (DU1) (Alumashield) (S/C System)	1
*26	00-433180-00008	Back (DU2) (Alumashield) (S/C System)	1
*27	00-433180-00009	Back (DU3) (Alumashield) (S/C System)	1
28	00-433180-00010	Back (U1) (SST) (Remote)	1
29	00-433180-00011	Back (U2) (SST) (Remote)	1
30	00-433180-00012	Back (U3) (SST) (Remote)	1
*31	00-433180-00013	Back (U1) (Permashield) (Remote)	1
*32	00-433180-00014	Back (U2) (Permashield) (Remote)	1
*33	00-433180-00015	Back (U3) (Permashield) (Remote)	1
*34	00-433180-00016	Back (DU1) (Permashield) (Remote)	1
*35	00-433180-00017	Back (DU2) (Permashield) (Remote)	1
*36	00-433180-00018	Back (DU3) (Permashield) (Remote)	1
37	00-433180-00019	Back (UB1) (SST) (S/C System)	1
38	00-433180-00020	Back (UB2) (SST) (S/C System)	1
39	00-433180-00021	Back (UB3) (SST) (S/C System)	1
*40	00-433180-00022	Back (UB1) (Permashield) (S/C System)	1
*41	00-433180-00023	Back (UB2) (Permashield) (S/C System)	1
*42	00-433180-00024	Back (UB3) (Permashield) (S/C System)	1
43	00-433180-00025	Back (UB1) (SST) (Remote)	1
44	00-433180-00026	Back (UB2) (SST) (Remote)	1
45	00-433180-00027	Back (UB3) (SST) (Remote)	1
*46	00-433180-00028	Back (UB1) (Permashield) (Remote)	1
*47	00-433180-00029	Back (UB2) (Permashield) (Remote)	1
*48	00-433180-00030	Back (UB3) (Permashield) (Remote)	1

* Permashield and Alumashield are no longer manufactured. Some parts may still be available.

ML'S USED TO MAKE THIS CATALOG

ML-49888 US1 (LH)
ML-49889 UC1 (LH)
ML-49891 UC1C (LH)
ML-49892 UC1C (RH)
ML-49893 US1 (RH)
ML-49894 UC1 (RH)
ML-49896 US2 (LH)
ML-49897 UC2 (LH)
ML-49899 US2 (RH)
ML-49900 UC2 (RH)
ML-49901 UC2C (LH)
ML-49902 UC2C (RH)
ML-49904 U1 S/C, A/C SYS (LH) (R22)
ML-49905 US3 (LH)
ML-49906 UC3 (LH)
ML-49908 US3 (RH)
ML-49909 UC3 (RH)
ML-49911 UC3C (LH)
ML-49912 UC3C (RH)
ML-49913 USD1 (LH)
ML-49914 UCD1 (LH)
ML-49916 USD1 (RH)
ML-49917 UCD1 (RH)
ML-49919 USD2 (LH)
ML-49920 UCD2 (LH)
ML-49922 USD2 (RH)
ML-49923 UCD2 (RH)
ML-49925 USD3 (LH)
ML-49926 UCD3 (LH)
ML-49928 USD3 (RH)
ML-49929 UCD3 (RH)
ML-49931 UBS1 (LH)
ML-49932 UBC1 (LH)
ML-49934 UBS1 (RH)
ML-49935 UBC1 (RH)
ML-49937 UBS2 (LH)
ML-49938 UBC2 (LH)
ML-49940 UBS2 (RH)
ML-49941 UBC2 (RH)
ML-49943 UBS3 (RH)
ML-49944 UBC3 (RH)
ML-49946 UBS3 (RH)
ML-49947 UBC3 (RH)
ML-49949 DU1 (LH)
ML-49950 DU1 (RH)
ML-49951 DU2 (LH)
ML-49952 DU2 (RH)
ML-49953 DU3 (LH)
ML-49954 DU3 (RH)
ML-49955 U1 S/C, A/C SYS (RH) (R22)
ML-49958 UF1 S/C, A/C SYS (LH) (R502)
ML-49959 UF1 S/C, A/C SYS (RH) (R502)
ML-49960 U1/2/3 REMOTE SYS (LH) (R22)
ML-49961 U1/2/3 REMOTE SYS (RH) (R22)
ML-49962 U2/3 S/C, A/C SYS (LH) (R22)
ML-49963 U2/3 S/C, A/C SYS (RH) (R22)
ML-49964 U2/3 S/C, A/C SYS (LH) (R22) (W/GL DR)
ML-49965 U2/3 S/C, A/C SYS (RH) (R22) (W/GL DR)
ML-49966 UB1/2 S/C, A/C SYS (LH) (R22)
ML-49967 UB1/2 S/C, A/C SYS (RH) (R22)
ML-49968 UB1 REMOTE SYS (LH) (R22)
ML-49969 UB1 REMOTE SYS (RH) (R22)
ML-49970 UB3 S/C, A/C SYS (LH) (R22)
ML-49971 UB3 S/C, A/C SYS (RH) (R22)
ML-49973 UF2 S/C, A/C SYS (LH) (R502)
ML-49974 UF2 S/C, A/C SYS (RH) (R502)
ML-49975 UF1 REMOTE SYS (LH) (R22)
ML-49976 UF1 REMOTE SYS (RH) (R22)
ML-49977 UF1 REMOTE SYS (LH) (R502)
ML-49978 UF1 REMOTE SYS (RH) (R502)
ML-49979 U2/3 REMOTE SYS (LH) (R22) (W/GL DR)
ML-49980 U2/3 REMOTE SYS (RH) (R22) (W/GL DR)
ML-49981 DU1/2 S/C, A/C SYS (LH)
ML-49982 DU1/2 S/C, A/C SYS (RH)
ML-49983 DU3 S/C, A/C SYS (LH)
ML-49984 DU3 S/C, A/C SYS (RH)
ML-49985 DU1/2/3 REMOTE SYS (LH)
ML-49986 DU1/2/3 REMOTE SYS (RH)
ML-111001 UBF1 S/C, A/C SYS (LH) (R502)
ML-111002 UBF1 S/C, A/C SYS (RH) (R502)
ML-111003 UBF2 S/C, A/C SYS (LH) (R502)
ML-111004 UBF2 S/C, A/C SYS (RH) (R502)
ML-111005 UBF3 S/C, A/C SYS (LH) (R502)
ML-111006 UBF3 S/C, A/C SYS (RH) (R502)
ML-111007 HC UF3 S/C, A/C SYS (LH) (R502)
ML-111008 HC UF3 S/C, A/C SYS (RH) (R502)
ML-111009 HC UF2 S/C, A/C SYS (LH) (R502)
ML-111010 HC UF2 S/C, A/C SYS (RH) (R502)
ML-111011 UDF2/UF3 REMOTE SYS (LH) (R22)
ML-111012 UDF2/UF3 REMOTE SYS (RH) (R22)
ML-111013 UDF2/UF3 REMOTE SYS (LH) (R502)
ML-111014 UDF2/UF3 REMOVE SYS (RH) (R502)
ML-111015 UBF1 REMOTE SYS (LH) (R22)
ML-111016 UBF1 REMOTE SYS (RH) (R22)
ML-111017 UBF1 REMOTE SYS (LH) (R502)
ML-111018 UBF1 REMOTE SYS (RH) (R502)
ML-111019 UBF2/3 REMOTE SYS (LH) (R22)
ML-111020 UBF2/3 REMOTE SYS (RH) (R22)
ML-111021 UBF2 REMOTE SYS (LH) (R502)
ML-111022 UBF2 REMOTE SYS (RH) (R502)
ML-111023 UF2 REMOTE SYS (LH) (R22)
ML-111024 UF2 REMOTE SYS (RH) (R22)
ML-111025 UF2 REMOTE SYS (LH) (R502)
ML-111026 UF2 REMOTE SYS (RH) (R502)
ML-111027 UBF3 REMOTE SYS (LH) (R22)
ML-111028 UBF3 REMOTE SYS (RH) (R22)
ML-111029 UBF3 REMOTE SYS (LH) (R502)
ML-111030 UBF3 REMOTE SYS (RH) (R502)
ML-111031 DUF1/2 REMOTE SYS (LH) (R502)
ML-111032 DUF1/2 REMOTE SYS (RH) (R502)
ML-111033 DUF3 REMOTE SYS (LH) (R22)
ML-111034 DUF3 REMOTE SYS (RH) (R22)
ML-111035 DUF3 REMOTE SYS (LH) (R502)
ML-111036 DUF3 REMOTE SYS (RH) (R502)