



# CATALOG OF REPLACEMENT PARTS



## SCALE PRINTERS

### MODELS

SP600	ML-28945
SP600P	ML-28946
SP600S	ML-28967

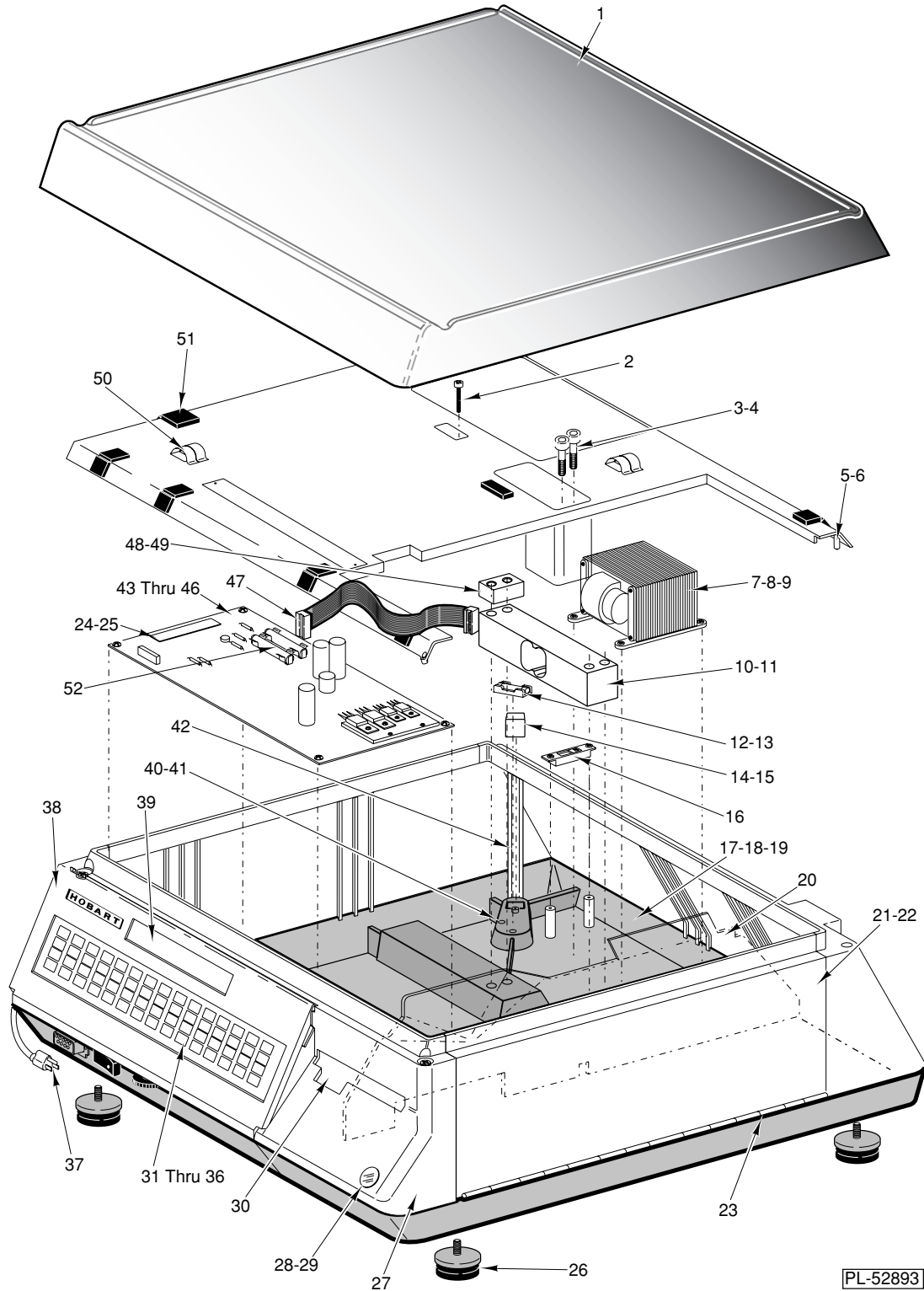


# SP600/P/S

## FORM 34579

### TABLE OF CONTENTS WITH PL NUMBERS

	PAGE	DESCRIPTION
	3	TABLE OF CONTENTS
PL-52893	4	HOUSING ASSEMBLY SP600
PL-52898	6	HOUSING ASSEMBLY SP600P
PL-53593	8	DISPLAY ASSEMBLY SP600
PL-53594	10	DISPLAY ASSEMBLY SP600P
PL-52896	12	PRINTER ASSEMBLY SP600
PL-52900	14	PRINTER ASSEMBLY SP600P
PL-52901	16	SP600S SCALE
PL-52902	18	PLATFORM
PL-50307	19	POST COUNTER OR SCALE TABLE
PL-50316	20	PLU LIBRARY
PL-52915	22	PLU LIBRARY SUPPORT
PL-50317	23	LOOK-UP POST
PL-52916	24	SCALE / PRINTER INSTALLATION

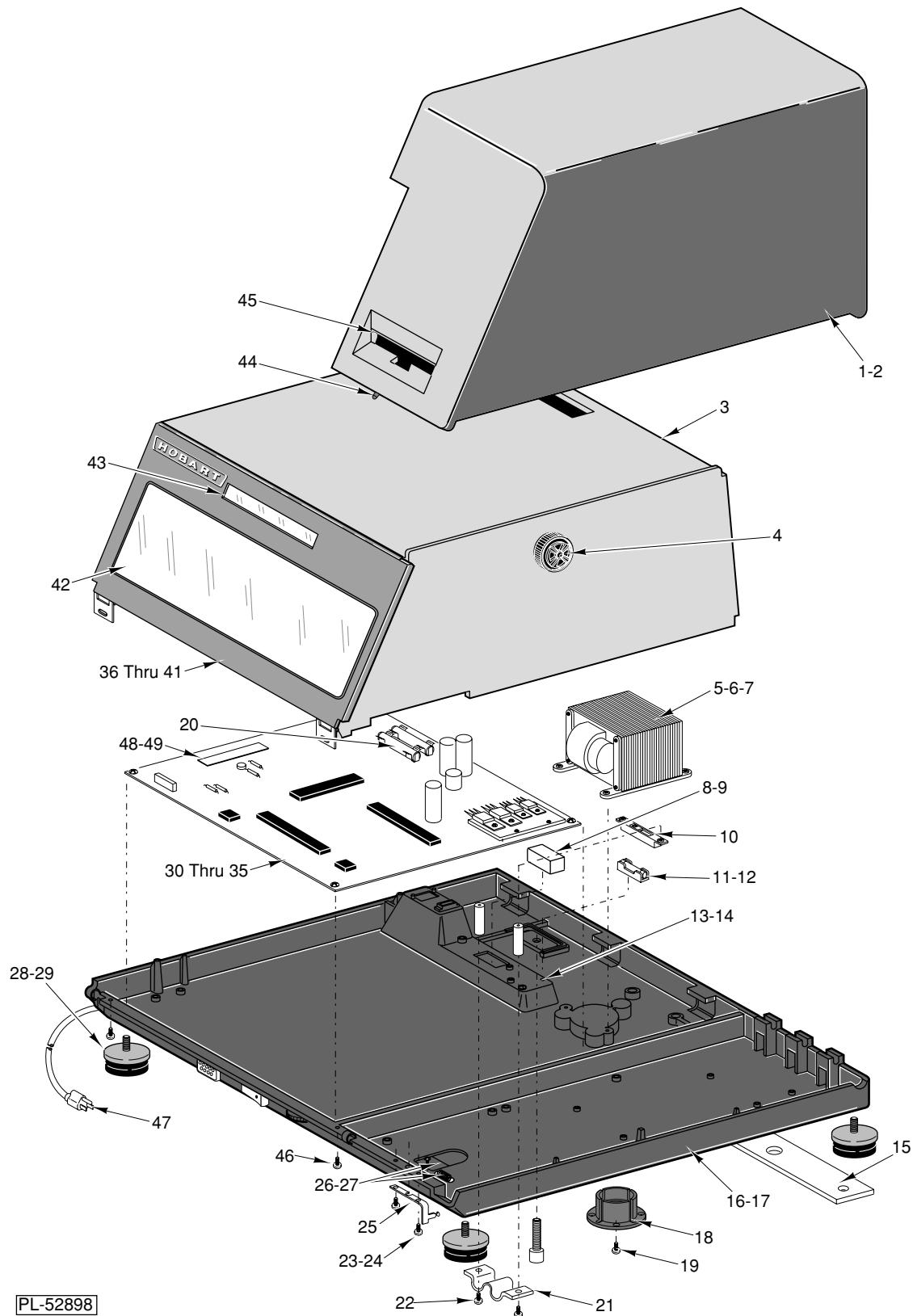


**HOUSING ASSEMBLY SP600**

ILLUS. PL-52893	PART NO.	NAME OF PART	AMT.
1	00-184370	Cover - Platter .....	1
2	SC-121-10	Mach. Screw 1/4-28 X 2 Phil. Fil. Hd. ....	1
3	SC-040-11	Cap Screw 1/4-20 x 2 Socket Hex Hd. ....	2
4	WL-006-16	Lockwasher 1/4 Light .....	2

## HOUSING ASSEMBLY SP600

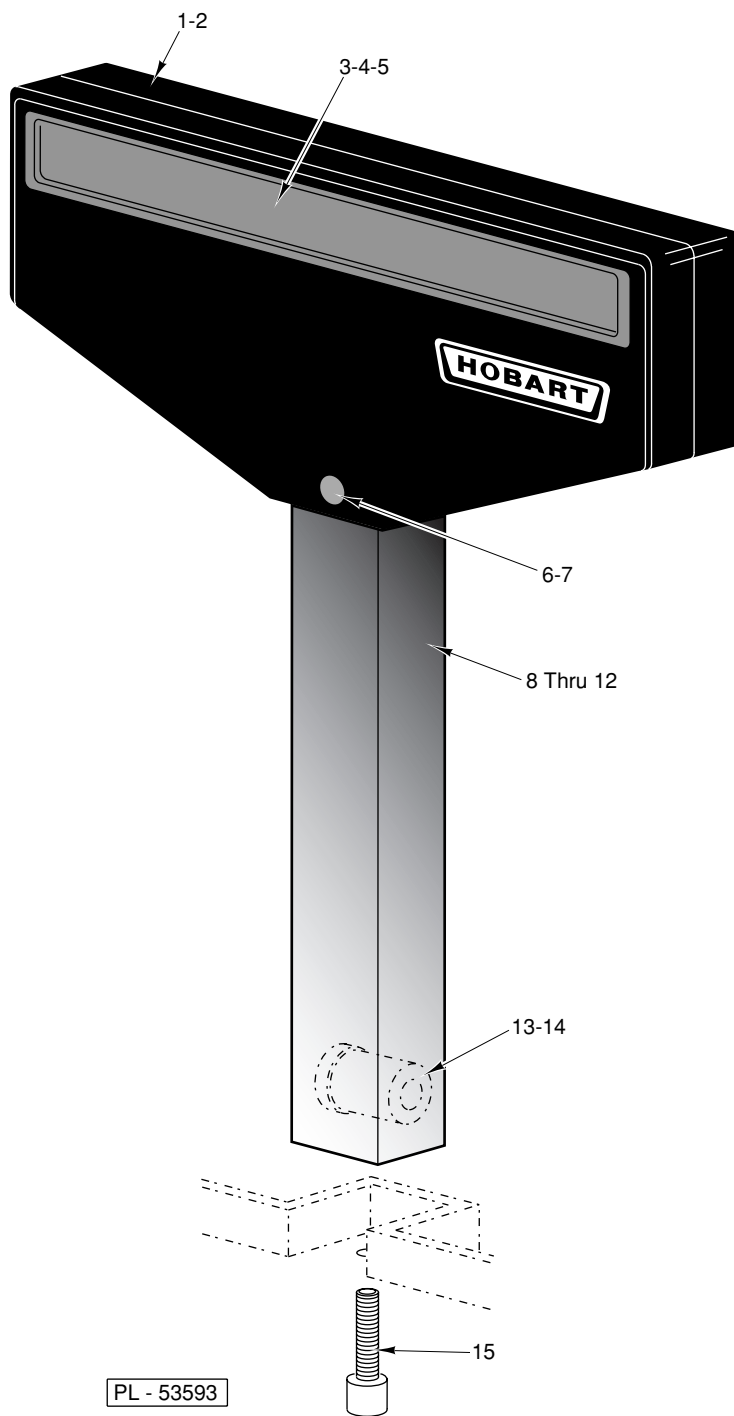
ILLUS. PL-52893	PART NO.	NAME OF PART	AMT.
5	00-048387	Support - Platter Assembly .....	1
6	SC-088-51	Set Screw 10-32 x 3/8 Hdls. Half Dog Pt. ....	4
7	00-046594	Transformer 120/240 V .....	1
8	SD-015-40	Self-Tapping Screw 8-32 x 3/8 Phil Pan Hd., Type TT .....	4
9	WL-007-07	Lockwasher 8 External Shakeproof .....	1
10	00-048625	Loadcell - 15 KG. (Multiple Range) .....	1
11	00-259169	Screw - Overload Stop .....	1
12	00-046576	Fuseholder .....	1
13	FE-022-29	Fuse 250V. - 1 Amp. ....	1
14	00-258120	Filter - Power Input .....	1
15	SD-015-38	Self-Tapping Screw 6-32 x 3/8 Phil Pan Hd., Type TT .....	1
16	00-046559	Switch .....	1
17	00-046414	Base .....	1
18	00-259412	Clamp - Cable .....	2
19	SD-015-40	Self-Tapping Screw 8-32 x 3/8 Phil Pan Hd., Type TT .....	2
20	00-259161	Partition .....	1
21	00-042531	Door - Printer Access .....	1
22	00-042707	Magnet .....	1
23	00-042530	Hinge .....	1
24	00-042356	Ram Board (512K PSRAM) .....	1
25	00-042358	Board Assy. (2 MB PSRAM) .....	1
26	00-259167	Foot .....	4
27	00-046424	Cover Assembly .....	1
28	00-047015	Plug - Transparent .....	1
29	00-043112	Level .....	1
30	00-044671	Tear Bar Assembly .....	1
31	00-259688	Retainer - Overlay .....	1
32	00-184266	Overlay - Keyboard (Self-Service) .....	1
33	00-046419	Keyboard .....	1
34	00-042715	Spacer .....	3
35	NS-009-02	Mach. Nut 4-40 Hex .....	3
36	WL-003-03	Lockwasher 4 Medium .....	3
37	00-257200	Cord - Power Supply (Straight Plug) .....	1
38	00-046420	Bezel Assembly .....	1
39	00-046217	Display - Alpha Numeric .....	1
40	SD-015-40	Self-Tapping Screw 8-32 x 3/8 Phil Pan Hd., Type TT .....	2
41	WL-007-07	Lockwasher 8 External Shakeproof .....	2
42	00-252222	Post - Cabinet .....	4
43	00-047497	Board - Processor (2 MBYTE) .....	1
44	00-259170	Insulator - Mylar .....	1
45	00-252289	Plug - 2 Position (Jumper Plug) .....	AR
46	SD-015-40	Self-Tapping Screw 8-32 x 3/8 Phil Pan Hd., Type TT .....	1
47	00-047250	Cable - Display .....	1
48	00-183874	Block - Stop .....	1
49	SC-040-11	Cap Screw 1/4-20 x 2 Socket Hex Hd. ....	2
50	00-259515	Contact - Finger (16 Pieces) .....	2
51	00-259185	Pad - Platter .....	8
52	00-046550	Battery (Nicad) .....	2
	00-535236	Sealer .....	AR
	00-526582	Sealer .....	AR
	00-541890	Sealer .....	AR
	00-520228	Adhesive (Loctite 242) .....	AR
	00-512987	Adhesive - Loctite 222 .....	AR
	00-519504	Lubricant - Special (Thermo Joint Compound) (Size 250) (2 OZ) .....	AR
	00-532280	Primer - Adhesive .....	AR
	00-042714	Stud - Press .....	1
	00-184983	Scale Cable Assy. - Interconnections (Incls. Bracket Assy.) .....	1
	00-183896	Inspection Plate (Incls. screws & lockwashers) .....	1
	00-183358	Kit - Fish Pan & Arms .....	1
	00-047488	Board Assy. (Scalemaster Interface) .....	1
	00-440699	Prom - System Controller Program .....	1
	00-259003-00053	HC II (J3) Prom .....	1
	00-046416	Overlay - Keyboard (English) .....	1
	00-047539	Overlay - Supervisor (English) .....	1



HOUSING ASSEMBLY SP600P

## HOUSING ASSEMBLY SP600P

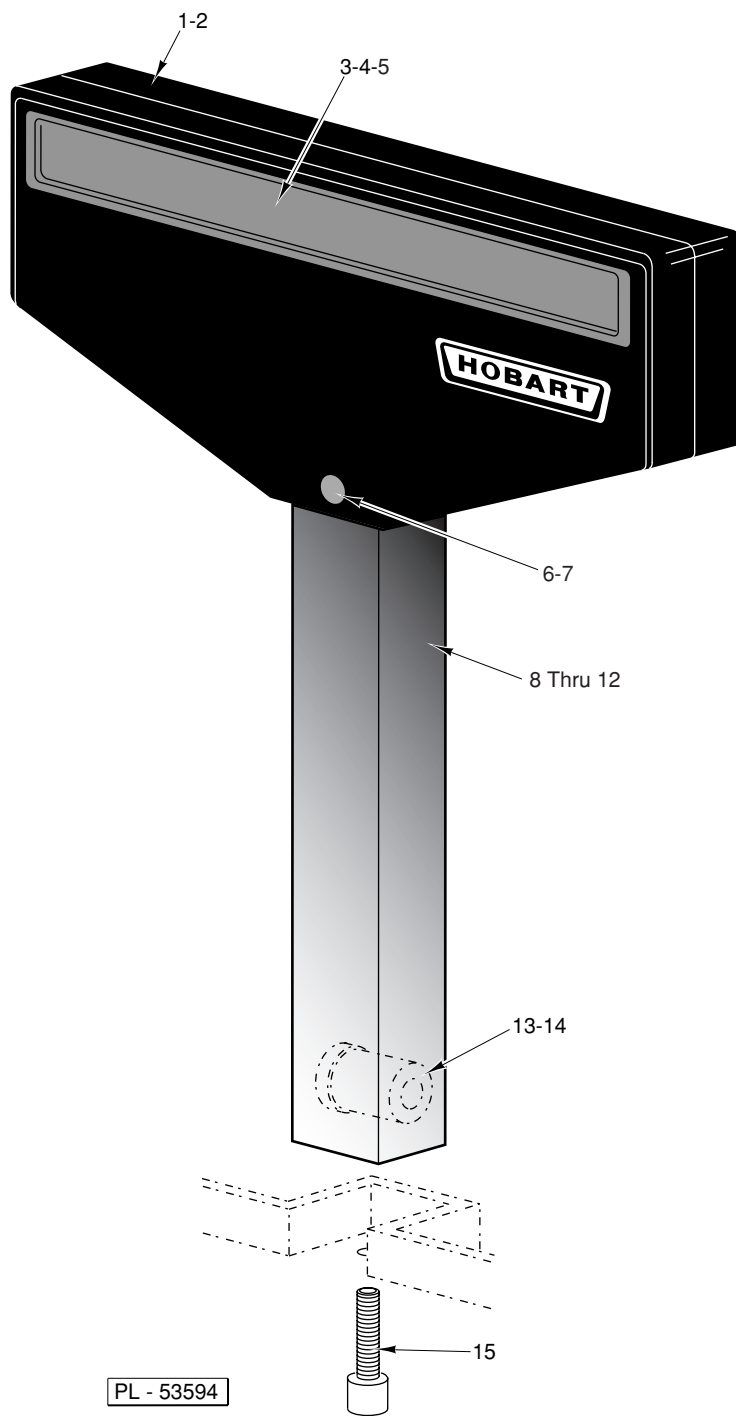
ILLUS. PL-52898	PART NO.	NAME OF PART	AMT.
1	00-047050	Printer Cover Assembly (Incls. items 2, 44 & 45)	1
2	00-259705	Cover - Printer	1
3	00-046845	Cover Assembly (Incls. items 4, 36 Thru 41 & 43)	1
4	00-183748-00001	Indicator Assy.	1
5	00-046594	Transformer 120/240 V	1
6	SD-015-40	Self-Tapping Screw 8-32 x 3/8 Phil Pan Hd., Type TT	4
7	WL-007-07	Lockwasher 8 External Shakeproof	4
8	00-258120	Filter - Power Input	1
9	SD-015-38	Self-Tapping Screw 6-32 x 3/8 Phil Pan Hd., Type TT	1
10	00-046559	Switch	1
11	00-046576	Fuseholder	1
12	FE-017-03	Fuse 125 V., 2 A.	1
13	SD-015-40	Self-Tapping Screw 8-32 x 3/8 Phil Pan Hd., Type TT	2
14	WL-007-07	Lockwasher 8 External Shakeproof	2
15	00-047065	Cover - Base	1
16	00-047346	Base	1
17	SD-015-40	Self-Tapping Screw 8-32 x 3/8 Phil Pan Hd., Type TT	2
18	00-259726	Ring - Clamping (For Post Mounting)	1
19	SC-037-82	Cap Screw 1/4-20 x 7/8 Hex Hd.	3
20	00-046550	Battery (Nicad)	2
21	00-259546	Plate - Strain Relief	1
22	SD-015-38	Self-Tapping Screw 6-32 x 3/8 Phil Pan Hd., Type TT	2
23	SC-018-30	Mach. Screw 8-32 x 1/4 Phil Pan Hd.	2
24	00-259825	Washer	2
25	00-044641	Plate - Cover Latch	1
26	00-175481	Spring - Latch	1
27	SC-074-13	Mach. Screw 8-32 x 3/16 Phil Rd. Hd.	1
28	00-259167	Foot	4
29	NS-017-03	Jam Nut 1/4-20 Hex	4
30	00-047493	Board - Processor	1
31	00-259170	Insulator - Mylar	1
32	00-252289	Plug-2 Position	AR
33	SD-015-40	Self-Tapping Screw 8-32 x 3/8 Phil Pan Hd., Type TT	1
34	WL-007-07	Lockwasher 8 External Shakeproof	1
35	00-047250	Cable - Display	1
36	00-259688	Retainer - Overlay	1
37	00-046419	Keyboard	1
38	NS-009-02	Mach. Nut 4-40 Hex	3
39	WL-003-03	Lockwasher 4 Medium	3
40	00-042715	Spacer	3
41	00-042714	Stud - Press	1
42	00-046847	Bezel Assy.	1
43	00-046217	Display - Alpha Numeric	1
44	00-044772	Stud - Printer Cover Latch	1
45	00-044756	Tear Bar Assy.	1
46	SC-120-68	Mach. Screw 8-32 x 3/16 Phil Fil. Hd.	2
47	00-257200	Cord - Power Supply (Straight Plug)	1
48	00-042356	Ram Board (512K PSRAM)	1
49	00-042358	Board Assy. (2 MB PSRAM)	1
	00-535236	Sealer	AR
	00-538960	Adhesive - Loctite #680	AR
	00-541890	Sealer	AR
	00-520228	Adhesive (Loctite 242)	AR
	00-512987	Adhesive - Loctite 222	AR
	00-519504	Lubricant - Special (Thermo Joint Compound) (Size 250) (2 OZ)	AR
	00-544590	Adhesive - Loctite	AR
	00-183602-00001	Cable - Scale (Internal)	1
	00-183896	Inspection Plate (Incls. screws & lockwashers)	1
	00-440699	Prom - System Controller Program	1
	00-259003-00053	HC II (US) Prom	1



DISPLAY ASSEMBLY SP600

**DISPLAY ASSEMBY SP600**

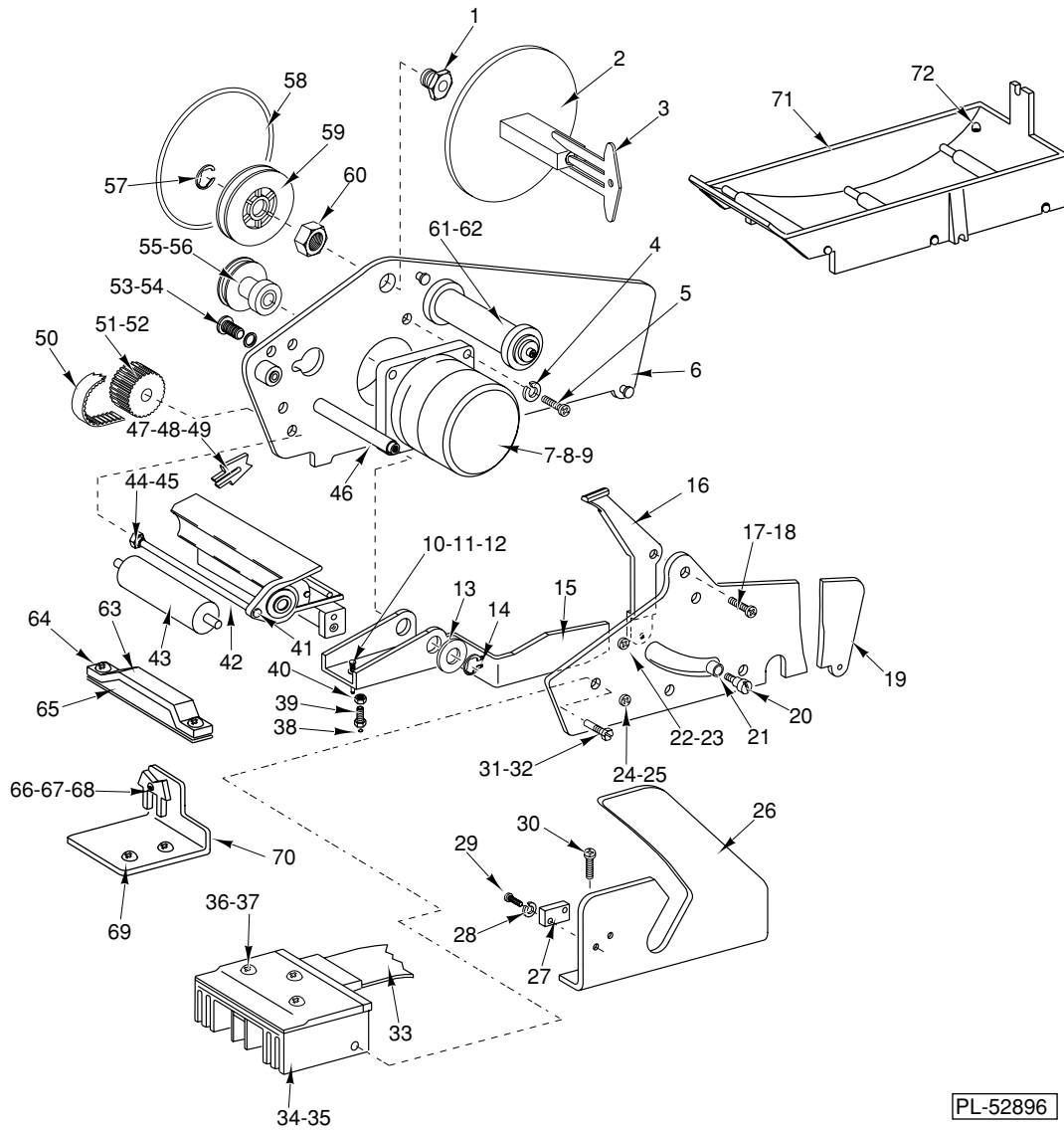
ILLUS. PL-53593	PART NO.	NAME OF PART	AMT.
1	00-046669	Display Assy. (Incls. items 2, 3, 4, 6 & 7) .....	1
2	00-046425	Cover - Display .....	2
3	00-046561	Board Assy. VF Display .....	1
4	SD-032-03	Self - Tapping Screw 6-19 x 3/8 Phil. Pan Hd. ....	4
5	00-046857	Overlay - Display Screen .....	2
6	00-046454	Cover - Screw .....	2
7	SC-018-30	Mach. Screw 8-32 x 1/4 Phil Pan Hd. ....	2
8	00-259232	Post - Display (8") .....	1
9	00-259437	Post - Display (14") .....	1
10	00-259484	Insulator - Post (13.360") (Use with item 9) .....	1
11	00-259454	Insulator - Post (7.360") (Use with 8) .....	1
12	00-047250	Cable - Display .....	1
13	00-047333	Bar-Draw Down .....	1
14	SC-115-35	Mach. Screw 8-32 x 1/2 Flat Hd. ....	2
15	SC-089-04	Cap Screw 1/4-20 x 1 Soc. Hex Hd. ....	1



**DISPLAY ASSEMBY SP600P**

## DISPLAY ASSEMBLY SP600P

ILLUS. PL-53594	PART NO.	NAME OF PART	AMT.
1	00-046669	Display Assy. (Incls. items 2, 3, 4, 6 & 7) .....	1
2	00-046425	Cover - Display .....	2
3	00-046561	Board Assy. VF Display .....	1
4	SD-032-03	Self - Tapping Screw 6-19 x $\frac{3}{8}$ Phil. Pan Hd. ....	4
5	00-046857	Overlay - Display Screen .....	2
6	00-046454	Cover - Screw .....	2
7	SC-018-30	Mach. Screw 8-32 x $\frac{1}{4}$ Phil Pan Hd. ....	2
8	00-259437	Post - Display (14") .....	1
9	00-259484	Insulator - Post (13.360") (Use with item 8) .....	1
10	00-047250	Cable - Display .....	1
11	00-259798	Post Display .....	1
12	00-183653	Insulator - Post (Use with item 11) .....	1
13	00-047333	Bar-Draw Down .....	1
14	SC-115-35	Mach. Screw 8-32 x $\frac{1}{2}$ Flat Hd. ....	2
15	SC-089-04	Cap Screw $\frac{1}{4}$ -20 x 1 Soc. Hex Hd. ....	1

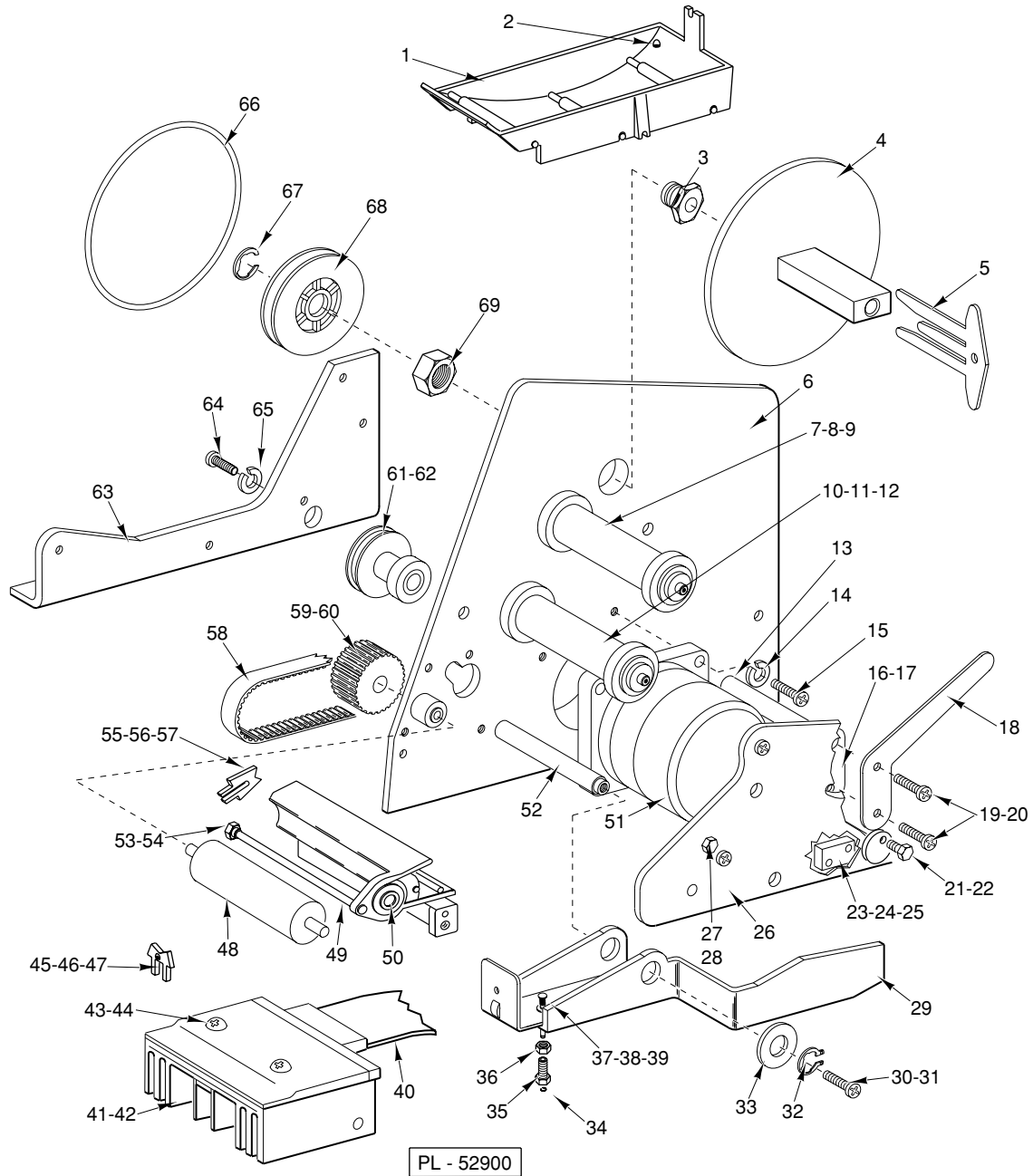


**PRINTER ASSEMBLY SP600**

ILLUS. PL-52896	PART NO.	NAME OF PART	AMT.
1	00-334998	Hub Assy. ....	1
2	00-184462	Take - Up Shaft Assembly ....	1
3	00-259197	Key - Label Roll ....	1
4	WL-003-12	Lockwasher 8 Medium ....	3
5	SC-018-34	Mach. Screw 8-32 x 1/2 Phil Pan Hd. ....	3
6	00-184480	Left Side Frame Assembly (Incls. Stud & Bearing) ....	1
7	00-334793	Stepper Motor Assembly (Incls. item 9) ....	1
8	00-183946	Wrapping - Spiral Band ....	1
9	00-259204	Plate - Motor Screw ....	1
10	00-175157	Plunger ....	1

## PRINTER ASSEMBLY SP600

ILLUS. PL-52896	PART NO.	NAME OF PART	AMT.
11	00-175167	Spring - Compression .....	1
12	WS-023-21	Washer .....	1
13	00-259606	Washer .....	2
14	RR-007-10	Retaining Ring .....	2
15	00-042828	Bar - Head Spring .....	1
16	00-175518	Lever - Head Latch .....	1
17	SC-018-31	Mach. Screw 8-32 x 3/8 Phil. Pan Hd. ....	1
18	WL-003-12	Lockwasher 8 Medium .....	1
19	00-042567	Right Frame Assembly (Incls. Stud) .....	1
20	00-259213	Screw - Shoulder Latch .....	1
21	00-259263	Bearing .....	1
22	SC-018-31	Mach. Screw 8-32 x 3/8 Phil. Pan Hd. ....	3
23	WL-003-12	Lockwasher 8 Medium .....	3
24	SC-018-31	Mach. Screw 8-32 x 3/8 Phil. Pan Hd. ....	2
25	WL-003-12	Lockwasher 8 Medium .....	2
26	00-259171	Plate - Latch .....	1
27	00-259144-00001	Head Up Switch Assy. ....	1
28	WL-019-65	Lockwasher 3 Medium .....	2
29	SC-119-17	Mach. Screw 3-48 x 3/8 Pan Hd. ....	2
30	SD-015-40	Self-Tapping Screw 8-32 x 3/8 Phil Pan Hd., Type TT .....	2
31	00-259265	Screw - Dowel .....	2
32	WL-003-12	Lockwasher 8 Medium .....	2
33	00-259148	Cable - Print Head .....	1
34	00-049843	Print Head - Thermal .....	1
35	00-259605	Heatsink .....	1
36	SC-119-16	Mach. Screw M3 x 6mm Pan Hd. ....	3
37	WL-019-58	Lockwasher Internal Shakeproof .....	3
38	RR-006-13	Retaining Ring .....	1
39	00-259261	Screw - Adjustment .....	1
40	NS-018-39	Jam Nut 1/4-28 Hex .....	1
41	00-184514	Support Assembly .....	1
42	00-259236	Bar - Peel .....	1
43	00-259207	Roller - Drive (Ground) .....	1
44	00-259201	Screw - Peel Bar .....	1
45	WL-003-12	Lockwasher 8 Medium .....	1
46	00-259211	Pivot - Spring Bar .....	1
47	00-184279	Media Sensor Assembly .....	1
48	SC-113-10	Mach. Screw 4-40 x 3/8 Phil. Pan Hd. ....	1
49	WS-029-24	Washer .....	1
50	00-259198	Belt - Timing .....	1
51	00-259632	Pulley - Drive Roller .....	1
52	SC-047-74	Set Screw 8-32 x 1/4 Headless Cup Pt. ....	1
53	SC-018-31	Mach. Screw 8-32 x 3/8 Phil. Pan Hd. ....	2
54	WL-003-12	Lockwasher 8 Medium .....	2
55	00-259205	Timing Pulley Assy. ....	1
56	SC-075-22	Set Screw 5-40 x 1/4 Hdls. Cup Pt. ....	1
57	RR-010-06	Retaining Ring .....	1
58	00-183381	Belt - Take-up Drive .....	1
59	00-259817	Take-Up Pulley Assy. ....	1
60	00-184458	Nut - Special .....	1
61	00-183676	Spacer - Printer Frame .....	1
62	00-259192	Guide - Paper .....	1
63	00-259176	Bar - Cable Hold Down .....	1
64	SD-015-40	Self-Tapping Screw 8-32 x 3/8 Phil Pan Hd., Type TT .....	2
65	00-259603	Bar - Hold Down .....	1
66	00-047368	Sensor - Label Taken .....	1
67	WL-003-03	Lockwasher 4 Medium .....	1
68	SC-120-27	Mach. Screw 4-40 x 7/16 Phil Rd. Hd. ....	1
69	SD-015-40	Self-Tapping Screw 8-32 x 3/8 Phil Pan Hd., Type TT .....	2
70	00-259178	Bracket - Label Taken Sensor .....	1
71	00-259175	Paper Roll Holder Assy. ....	1
72	SD-015-40	Self-Tapping Screw 8-32 x 3/8 Phil Pan Hd., Type TT .....	2
	00-512987	Loctite (Use with item 40) .....	AR
	00-519504-00004	Lubricant - Thermal Joint .....	AR

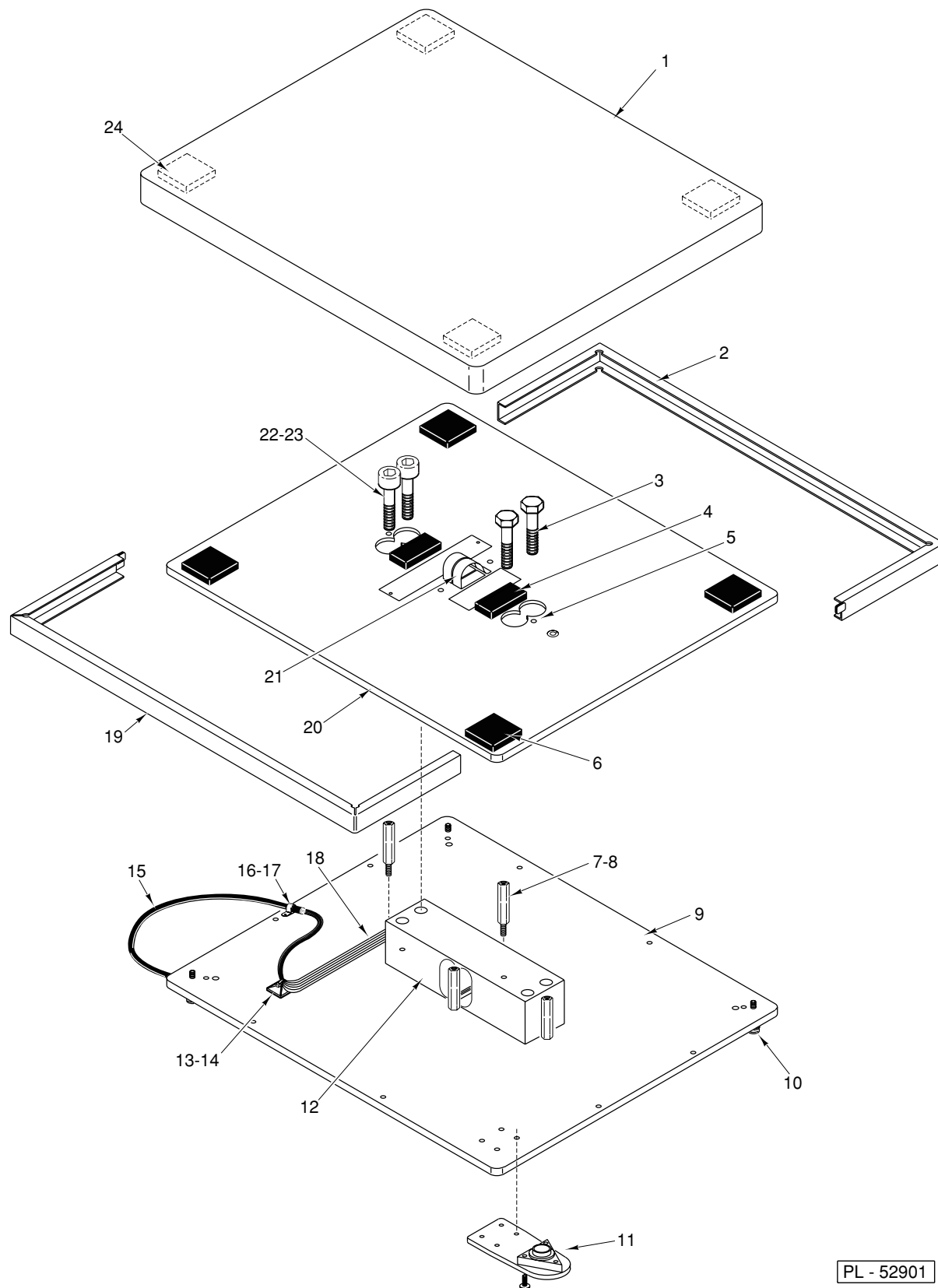


**PRINTER ASSEMBLY SP600P**

ILLUS. PL-52900	PART NO.	NAME OF PART	AMT.
1	00-259690	Paper Roll Holder Assy. ....	1
2	SD-015-40	Self-Tapping Screw 8-32 x 3/8 Phil Pan Hd., Type TT .....	2
3	00-334998	Hub Assy. ....	1
4	00-184463	Take - Up Shaft Assembly .....	1
5	00-259197	Key - Label Roll .....	1
6	00-184483	Left Side Frame Assembly .....	1
7	00-184394	Guide - Paper .....	1
8	00-183676	Spacer - Printer Frame .....	1
9	RR-011-72	Retaining Ring .....	1

## PRINTER ASSEMBLY SP600P

ILLUS. PL-52900	PART NO.	NAME OF PART	AMT.
10	00-183676	Spacer - Printer Frame .....	1
11	00-259192	Guide - Paper .....	1
12	RR-011-72	Retaining Ring .....	1
13	00-259211	Pivot - Spring Bar .....	1
14	WL-003-12	Lockwasher 8 Medium .....	3
15	SC-018-34	Mach. Screw 8-32 x 1/2 Phil Pan Hd. ....	3
16	00-184393	Actuator - Head-Up Switch .....	1
17	00-259797	Spacer .....	2
18	00-259796	Lever - Print .....	1
19	SC-112-42	Mach. Screw 6-32 x 1/2 Phil Pan Hd. ....	2
20	WL-008-02	Lockwasher 6 Internal Shakeproof .....	2
21	SC-068-14	Mach. Screw 8-32 x 3/8 Hex Hd. ....	1
22	00-184287	Eccentric - Support .....	1
23	00-259144-00001	Head Up Switch Assy. ....	1
24	SC-119-17	Mach. Screw 3-48 x 3/8 Pan Hd. ....	2
25	WL-019-65	Lockwasher 3 Medium .....	2
26	00-183816	Frame - Right .....	1
27	00-259265	Screw - Dowel .....	2
28	WL-003-12	Lockwasher 8 Medium .....	2
29	00-042829	Bar - Head Spring .....	1
30	SC-018-31	Mach. Screw 8-32 x 3/8 Phil. Pan Hd. ....	2
31	WL-003-12	Lockwasher 8 Medium .....	2
32	RR-007-10	Retaining Ring .....	2
33	00-259606	Washer .....	1
34	RR-006-13	Retaining Ring .....	1
35	00-259261	Screw - Adjustment .....	1
36	NS-018-39	Jam Nut 1/4-28 Hex .....	1
37	00-175157	Plunger .....	1
38	00-175167	Spring - Compression .....	1
39	WS-023-21	Washer .....	1
40	00-259148	Cable - Print Head .....	1
41	00-047074	Print Head - Thermal .....	1
41	00-049843	Print Head - Thermal .....	1
42	00-259605	Heatsink .....	1
43	SC-119-16	Mach. Screw M3 x 6mm Pan Hd. ....	2
44	WL-019-58	Lockwasher Internal Shakeproof .....	2
45	00-047368	Sensor - Label Taken .....	1
46	WL-003-03	Lockwasher 4 Medium .....	1
47	SC-120-27	Mach. Screw 4-40 x 7/16 Phil Rd. Hd. ....	1
48	00-259207	Roller - Drive (Ground) .....	1
49	00-259236	Bar - Peel .....	1
50	00-184514	Support Assembly .....	1
51	00-334793	Stepper Motor Assembly (Incls. Spiral Band Wrapping) .....	1
52	00-259211	Pivot - Spring Bar .....	1
53	00-259201	Screw - Peel Bar .....	1
54	WL-003-12	Lockwasher 8 Medium .....	1
55	00-184279	Media Sensor Assembly .....	1
56	SC-113-10	Mach. Screw 4-40 x 3/8 Phil. Pan Hd. ....	1
57	WS-029-24	Washer .....	1
58	00-259808	Belt - Timing 109T .....	1
59	00-259632	Pulley - Drive Roller .....	1
60	SC-047-74	Set Screw 8-32 x 1/4 Headless Cup Pt. ....	1
61	00-259205	Timing Pulley Assy. ....	1
62	SC-075-22	Set Screw 5-40 x 1/4 Hdls. Cup Pt. ....	1
63	00-259728	Bracket - Printer .....	1
64	SC-018-31	Mach. Screw 8-32 x 3/8 Phil. Pan Hd. ....	7
65	WL-003-12	Lockwasher 8 Medium .....	7
66	00-259819	Belt - Take-Up Drive .....	1
67	RR-010-06	Retaining Ring .....	1
68	00-259817	Take-Up Pulley Assy. ....	1
69	00-184458	Nut - Special .....	1
	00-259800	Printer Assy. ....	1
	00-512987	Adhesive - Loctite 222 .....	AR
	00-519504-00004	Lubricant - Thermal Joint .....	AR

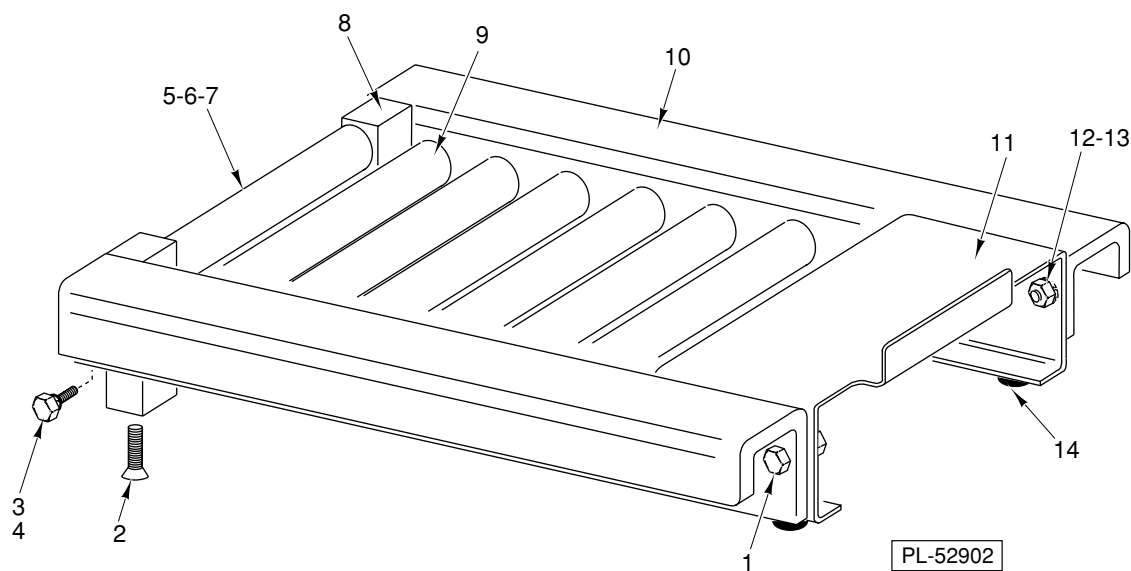


SP600S SCALE

PL - 52901

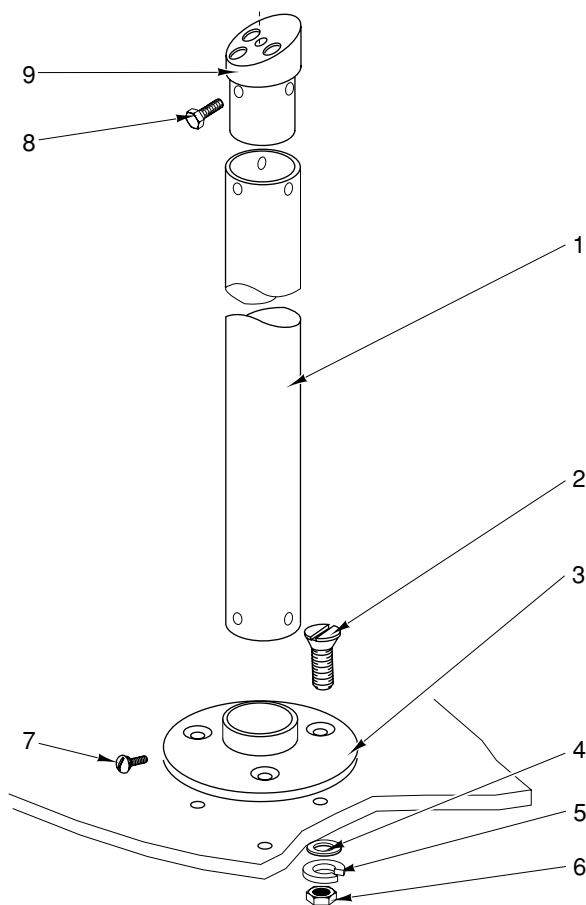
## SP600S SCALE

ILLUS. PL-52901	PART NO.	NAME OF PART	AMT.
1	00-259979	Platter .....	1
2	00-183360	Cover Assy. - Right (Incls. Cover, Clip & Tab) .....	1
3	SC-110-12	Cap Screw 1/4-20 x 5/8 Hex Hd. ....	2
4	00-259185	Pad - Platter .....	8
5	SC-088-51	Set Screw 10-32 x 3/8 Hdls. Half Dog Pt. ....	3
6	00-258958	Fastener - Dual Lock (Scotchmate Type 170) .....	4
7	00-183923	Post - Stop .....	4
8	SC-088-51	Set Screw 10-32 x 3/8 Hdls. Half Dog Pt. ....	4
9	00-048319	Base - Scale .....	1
10	SD-015-39	Self-Tapping Screw 8-32 x 1/4 Phil Pan Hd., Type T .....	AR
11	00-047382	Level Assy. (Incls. Level, Flange & Mtg. Plate) .....	1
12	00-047054	Load Cell (15 KG) .....	1
13	00-251199	Tie - Cable (4" Long) .....	1
14	00-255503	Mount - Cable Tie .....	1
15	00-183634	Cable - Scale .....	1
16	00-253363	Clamp .....	1
17	SD-015-30	Self Tapping Screw 8-32 x 5/16 Phil Pan Hd., Type TT .....	3
18	00-183634	Cable - Scale .....	1
19	00-183359	Cover Assy. - Left (Incls. Clip & Tab) .....	1
20	00-047278	Support - Platter .....	1
21	00-259515	Contact - Finger (16 Pieces) .....	AR
22	SC-120-70	Cap Screw 1/4-20 x 1 5/8 Soc. Hd. ....	2
23	WL-003-39	Lockwasher 1/4 Light .....	2
24	00-258959	Fastener - Dual Lock (Scotchmate Type 400) .....	4
	NS-017-03	Jam Nut 1/4-20 Hex .....	4
	00-259167	Foot .....	4
	00-520228	Adhesive (Loctite 242) .....	AR
	00-526034	Solvent .....	AR



**PLATFORM**

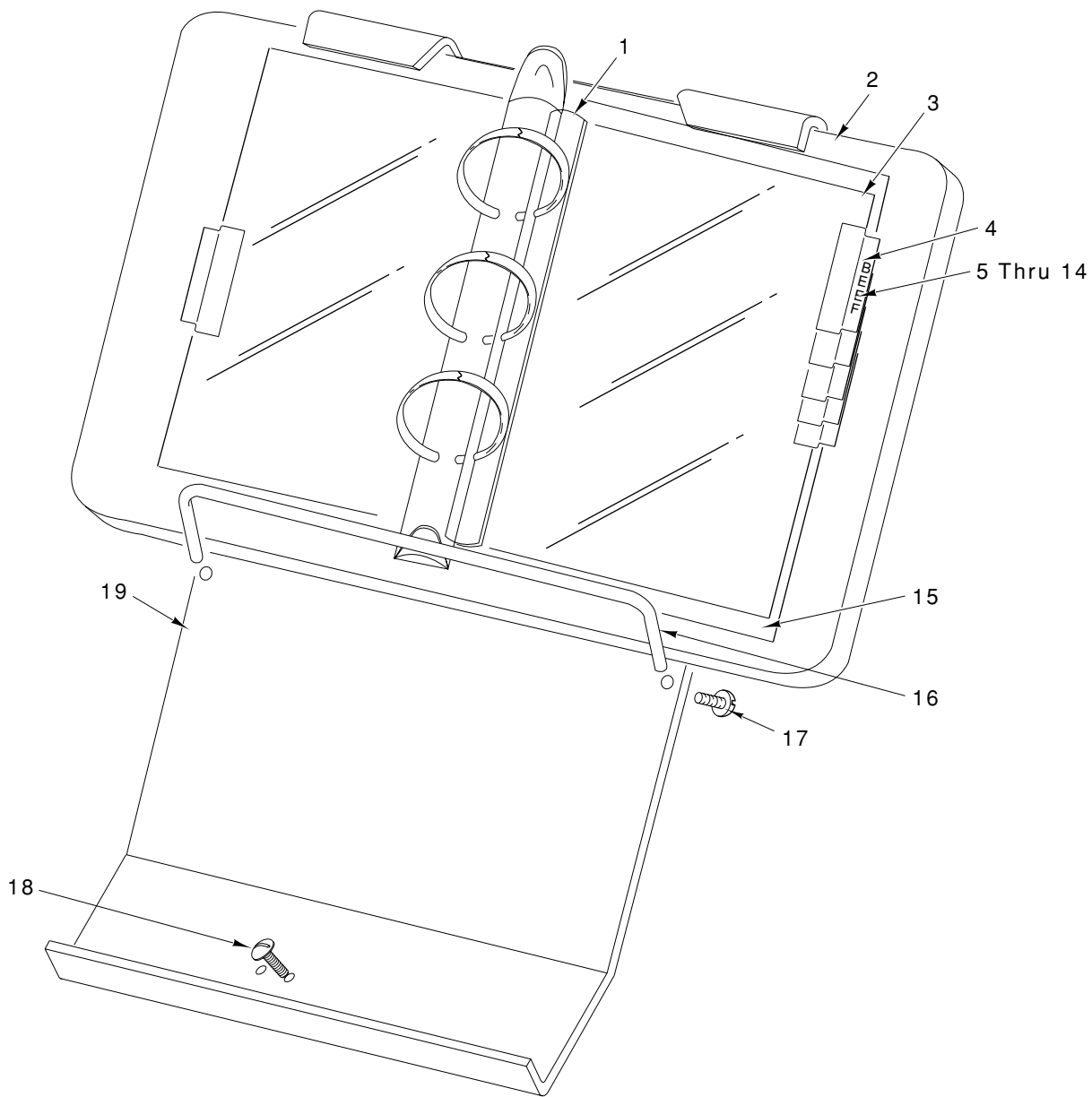
ILLUS.	PART NO.	NAME OF PART	AMT.
PL-52902	1	SC-118-20 Cap Screw 1/4-20 x 1/2 Hex Hd. ....	1
	2	SC-022-32 Mach. Screw 1/4-20 x 1/2 Flat Hd. ....	2
	3	SC-118-20 Cap Screw 1/4-20 x 1/2 Hex Hd. ....	2
	4	WL-003-38 Lockwasher 1/4 Medium ....	2
	5	00-175927 Tube-Roller ....	1
	6	00-175924 Bushing ....	2
	7	00-175925 Shaft-Platform ....	1
	8	00-175923 Pivot-Platform Support ....	2
	9	00-130439 Roller -Spring ....	6
	10	00-175926 Frame-Platform ....	2
	11	00-175928 Bracket-Platform Stop ....	1
	12	NS-013-02 Full Nut 1/4-20 Hex ....	1
	13	WL-003-38 Lockwasher 1/4 Medium ....	2
	14	00-254206 Foot ....	2
		00-183915 Platform Assy.(Incls. Items 1 & 3 Thru 14) ....	1



PL-50307

**POST COUNTER OR SCALE TABLE**

ILLUS. PL-50307	PART NO.	NAME OF PART	AMT.
1	00-254682	Post - Support .....	1
2	SC-023-48	Mach. Screw 1/4-20 x 1 3/8 Oval Hd. ....	3
3	00-252546	Base .....	1
4	WS-022-10	Washer .....	3
5	WL-003-39	Lockwasher 1/4 Light .....	3
6	NS-013-02	Full Nut 1/4-20 Hex .....	3
7	SC-116-95	Mach. Screw 8-32 x 3/8 Hex Hd. ....	3
8	SC-116-95	Mach. Screw 8-32 x 3/8 Hex Hd. ....	3
9	00-254680	Leg - Keyboard Support .....	1
	00-182994	Post Support Assy. (Incls. items 1 thru 9) .....	1

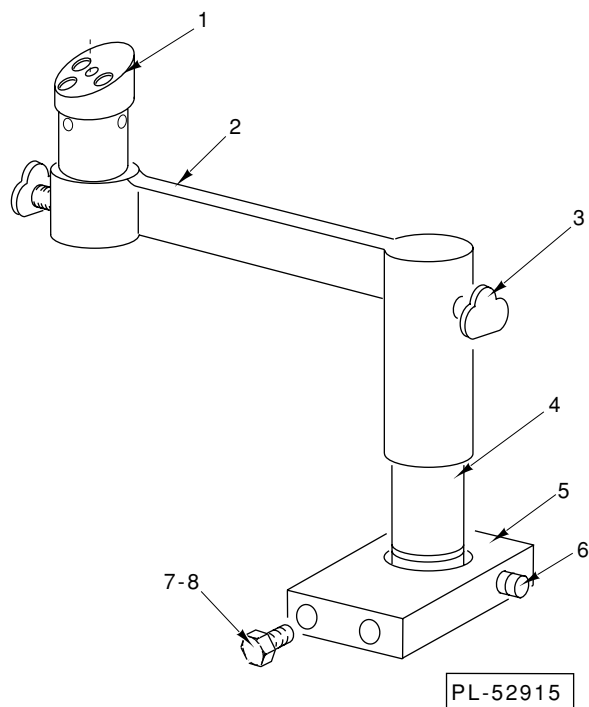


PL-50316

PLU LIBRARY

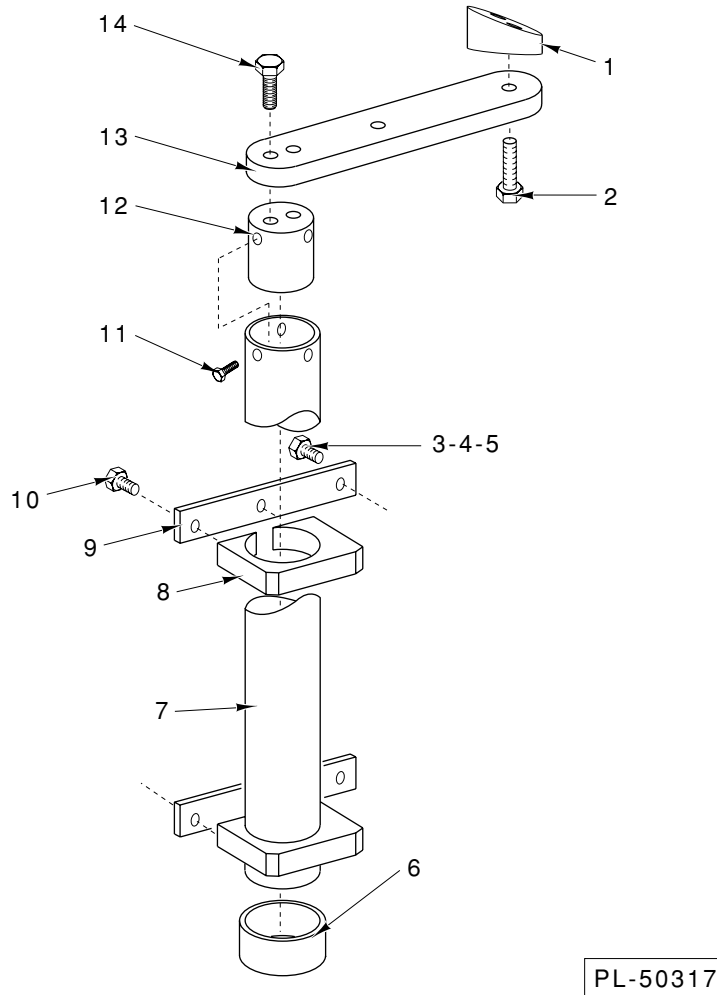
## PLU LIBRARY

ILLUS. PL-50316	PART NO.	NAME OF PART	AMT.
1	00-183752	Strip - Reinforcement .....	17
2	00-516298	Binder - 3-Ring .....	1
3	00-258780	Insert - Stiffener .....	17
4	00-258739	Tab - Index .....	25
5	00-258738-00001	Identifier - Page (Veal) .....	2
6	00-258738-00002	Identifier - Page (Poultry) .....	2
7	00-258738-00003	Identifier - Page (Pork) .....	3
8	00-258738-00004	Identifier - Page (Misc.) .....	2
9	00-258738-00005	Identifier - Page (Operating Inst.) .....	1
10	00-258738-00006	Identifier - Page (Beef) .....	3
11	00-258738-00007	Identifier - Page (Lamb) .....	2
12	00-258738-00008	Identifier - Page (Seafood) .....	2
13	00-258738-00009	Identifier - Page (Cheese) .....	2
14	00-258738-00010	Identifier - Page (Produce) .....	2
15	00-183763	Protector Sheet .....	17
16	00-258762	Rod - Support .....	1
17	SC-112-42	Mach. Screw 6-32 x 1/2 Phil Pan Hd. ....	2
18	SC-110-97	Mach. Screw 10-32 x 1/2 Truss Hd. ....	3
19	00-183905	Plate - Library .....	1
	00-183912	PLU Library Assy. (Incls. items 1 thru 19) .....	1



**PLU LIBRARY SUPPORT**

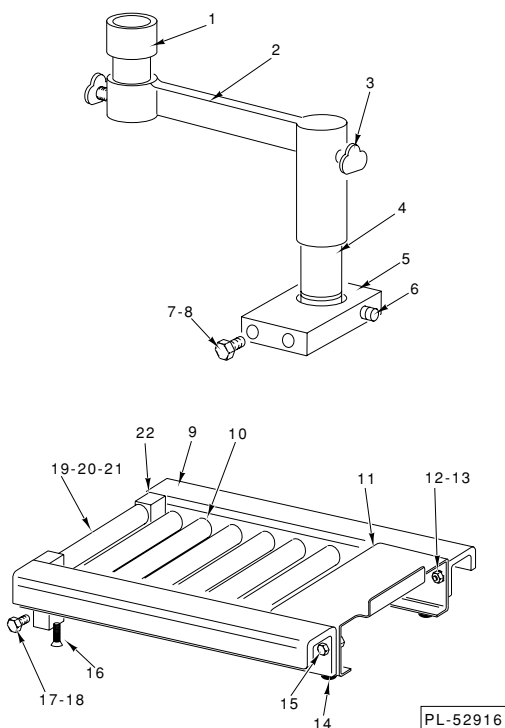
ILLUS. PL-52915	PART NO.	NAME OF PART	AMT.
1	00-183895	Library Pivot Assy .....	1
2	00-183931	Printer Pivot Arm Assy .....	1
3	00-183538	Knob - Film Centering .....	2
4	00-184345	Pivot - Printer Arm .....	1
5	00-175891	Block - Printer Pivot .....	1
6	SC-047-41	Set Screw $\frac{3}{8}$ -16 x $\frac{3}{8}$ Soc. Hdls., Cup Pt. ....	1
7	SC-118-11	Cap Screw $\frac{3}{8}$ -16 x $\frac{7}{8}$ Hex Hd. ....	2
8	WL-004-06	Lockwasher $\frac{3}{8}$ Medium .....	2
	00-183911	PLU Library Support Assy. (Incls. items 1 thru 8) .....	1



PL-50317

**LOOK-UP POST  
(HWS)**

ILLUS. PL-50317	PART NO.	NAME OF PART	AMT.
1	00-258026	Pivot .....	1
2	SC-117-91	Cap Screw 1/4-20 x 1 Hex Hd. ....	1
3	SC-118-57	Cap Screw 1/4-20 x 2 1/2 Hex Hd. ....	2
4	WL-003-39	Lockwasher 1/4 Light .....	2
5	NS-013-02	Full Nut 1/4-20 Hex .....	2
6	00-183663	Protector - Cord .....	1
7	00-258194	Post - Display .....	1
8	00-254866	Block - Post .....	2
9	00-258506	Bar - Post Mount .....	2
10	SC-118-19	Cap Screw 1/4-20 x 3/4 Hex Hd. ....	4
11	SC-116-95	Mach. Screw 8-32 x 3/8 Hex Hd. ....	3
12	00-258146	Post - Support .....	1
13	00-183687	Arm - Support .....	1
14	SC-117-91	Cap Screw 1/4-20 x 1 Hex Hd. ....	2
	00-258511	Look Up Post Assy. (Incls. items 1 thru 4) .....	1



**SCALE/PRINTER INSTALLATION**

ILLUS. PL-52916	PART NO.	NAME OF PART	AMT.
	1	Printer Pivot Stud Assy .....	1
	2	Printer Pivot Arm Assy .....	1
	3	Knob - Film Centering .....	2
	4	Pivot - Printer Arm .....	1
	5	Block - Printer Pivot .....	1
	6	Set Screw 3/8-16 x 3/8 Soc. Hdls., Cup Pt. ....	1
	7	Cap Screw 3/8-16 x 7/8 Hex Hd. ....	2
	8	Lockwasher 3/8 Medium .....	2
	9	Frame-Platform .....	2
	10	Roller -Spring .....	6
	11	Bracket-Platform Stop .....	1
	12	Full Nut 1/4-20 Hex .....	4
	13	Lockwasher 1/4 Medium .....	4
	14	Foot .....	2
	15	Cap Screw 1/4-20 x 1/2 Hex Hd. ....	4
	16	Mach. Screw 1/4-20 x 1/2 Flat Hd. ....	2
	17	Cap Screw 1/4-20 x 1/2 Hex Hd. ....	4
	18	Lockwasher 1/4 Medium .....	2
	19	Tube-Roller .....	1
	20	Bushing .....	2
	21	Shaft-Platform .....	1
	22	Pivot-Platform Support .....	2
	00-183910	Scale/Printer Kit (Incls. items 1 thru 8, 16 & clamps, bushing & fasteners) .....	1
	FE-021-13	Bushing - Electrical Split (Used w/printer power cord) .....	1
	00-086964	Clamp (For power cord) .....	2
	00-086964	Clamp (For power cord) .....	1
	SC-118-23	Mach. Screw 8-32 x 1/4 Phil. Pan Hd. (Use with clamps) .....	3
	WL-004-40	Lockwasher 10 (Use with clamps) .....	3
	FE-023-94	Clamp (For printer cord) .....	1
	SC-007-68	Mach. Screw 8-32 x 5/8 Rd. Hd. (Use with FE023-94) .....	1
	NS-009-12	Mach. Nut 8-32 Hex (Use with FE023-94) .....	1
	WL-008-07	Lockwasher 8 (Use with FE023-94) .....	1
	WS-028-06	Washer (Use with FE023-94) .....	1
	00-183915	Platform Assy. (Incls. items 9 thru 15 & 17 thru 22) .....	1