

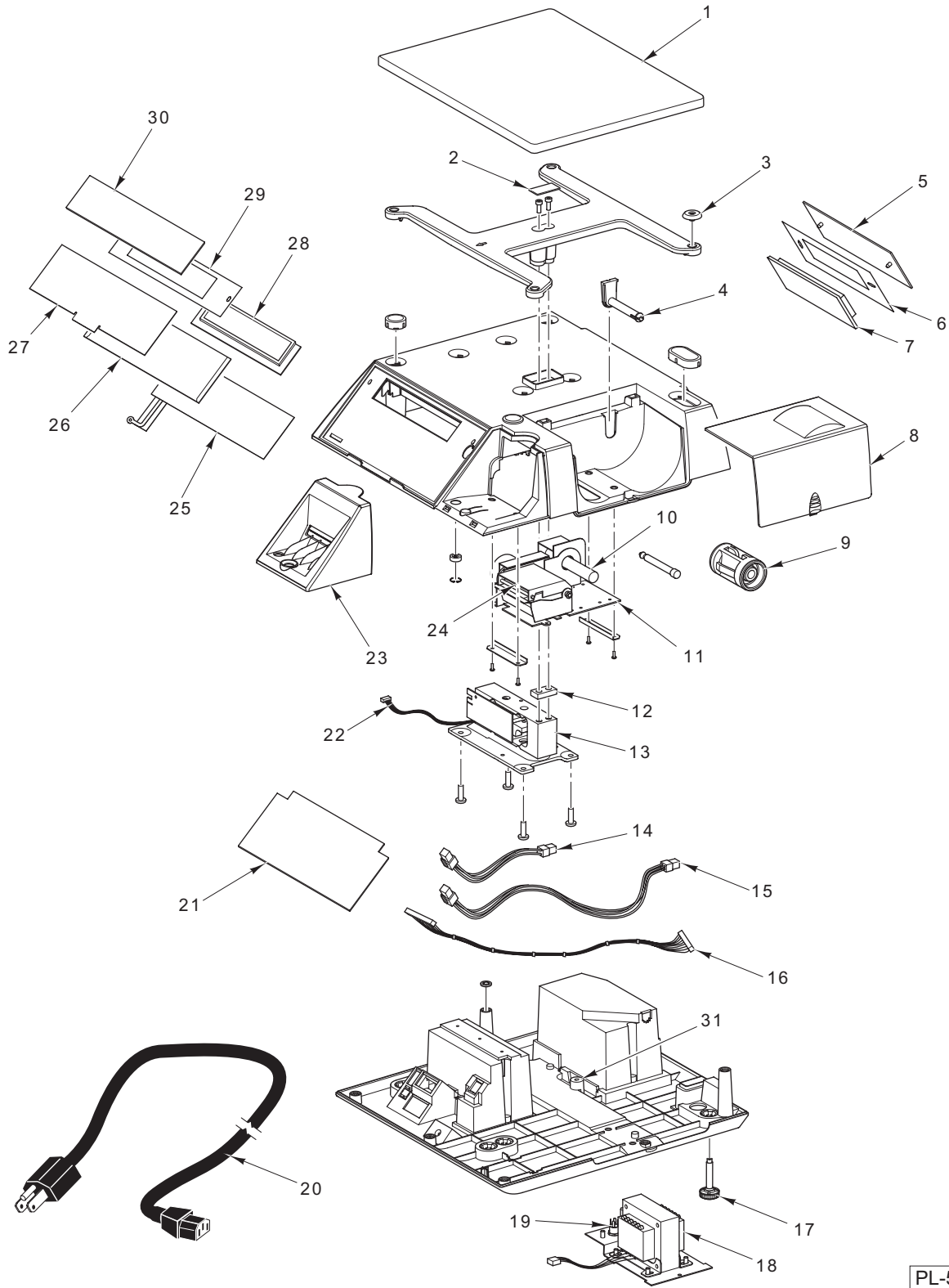


CATALOG OF REPLACEMENT PARTS



SL100 SCALE

ML-29296



PL-58851

SL100 SCALE UNIT

SL100 SCALE UNIT

ILLUS.	PART NO.	NAME OF PART	AMT.
PL-58851			
1	00-445630-00001	Pan (Platter).....	1
2	00-445170-00002	Plug.....	1
3	00-445170-00003	Mount – Platter	4
4	00-445170-00006	Hub – Tally Roll (Small).....	1
5	00-445630-00013	Window – Display (Rear).....	1
6	00-445630-00024	Overlay (Rear Display)	1
7	00-445630-00010	Module – LCD Graphics	1
8	00-445630-00002	Door – Printer	1
9	00-445170-00005	Hub – Label Roll	1
10	00-445630-00005	Spool – Take-Up	1
11	00-445170-00007	Printer Assy.	1
12	00-445630-00006	Spacer – Loadcell	1
13	00-445630-00007	Transducer Assy. (15 kg, Programmed) (Load Cell).....	1
14	00-445630-00017	Cable – Display (Short) (Front).....	1
15	00-445630-00015	Cable – Power Input	1
16	00-445630-00016	Cable – Display (Long) (Rear)	1
17	00-445630-00018	Foot Assy.	4
18	00-445630-00019	Transformer Assy.	1
19	00-445630-00020	Fuse (1 Amp.)	1
20	00-445630-00028	Mains – Plug IEC Conn. (Power Cord).....	1
21	00-445630-00014	PC Board (Main)	1
22	00-445630-00008	Cable – Main PCB (Load Cell).....	1
23	00-445630-00003	Mouth Assy. (Ticket).....	1
24	00-445170-00008	Printhead – Thermal	1
25	00-445630-00012	Keyboard – Small	1
26	00-445630-00011	Pocket – Small	1
27	00-445630-00025	Overlay (Keyboard).....	1
28	00-445630-00010	Module – LCD Graphics	1
29	00-445630-00023	Overlay (Front Display).....	1
30	00-445630-00009	Window – Display (Front)	1
31	00-445630-00027	Tab – Earth	1
	00-445170-00023	Label – Warning.....	1
	00-445630-00021	Plate – Approvals.....	1
	00-445170-00025	Seal – Hobart.....	2
	00-445170-00027	Disc – Sealing.....	1
	00-445170-00028	Printer Cleaning Cards	3
	00-445630-00026	Cable – Serial (Null).....	1
	00-445644-00001	Cable – Data (7 Ft.)	AR
	00-445644-00002	Cable – Data (14 Ft.)	AR
	00-445644-00003	Cable – Data (25 Ft.)	AR

