

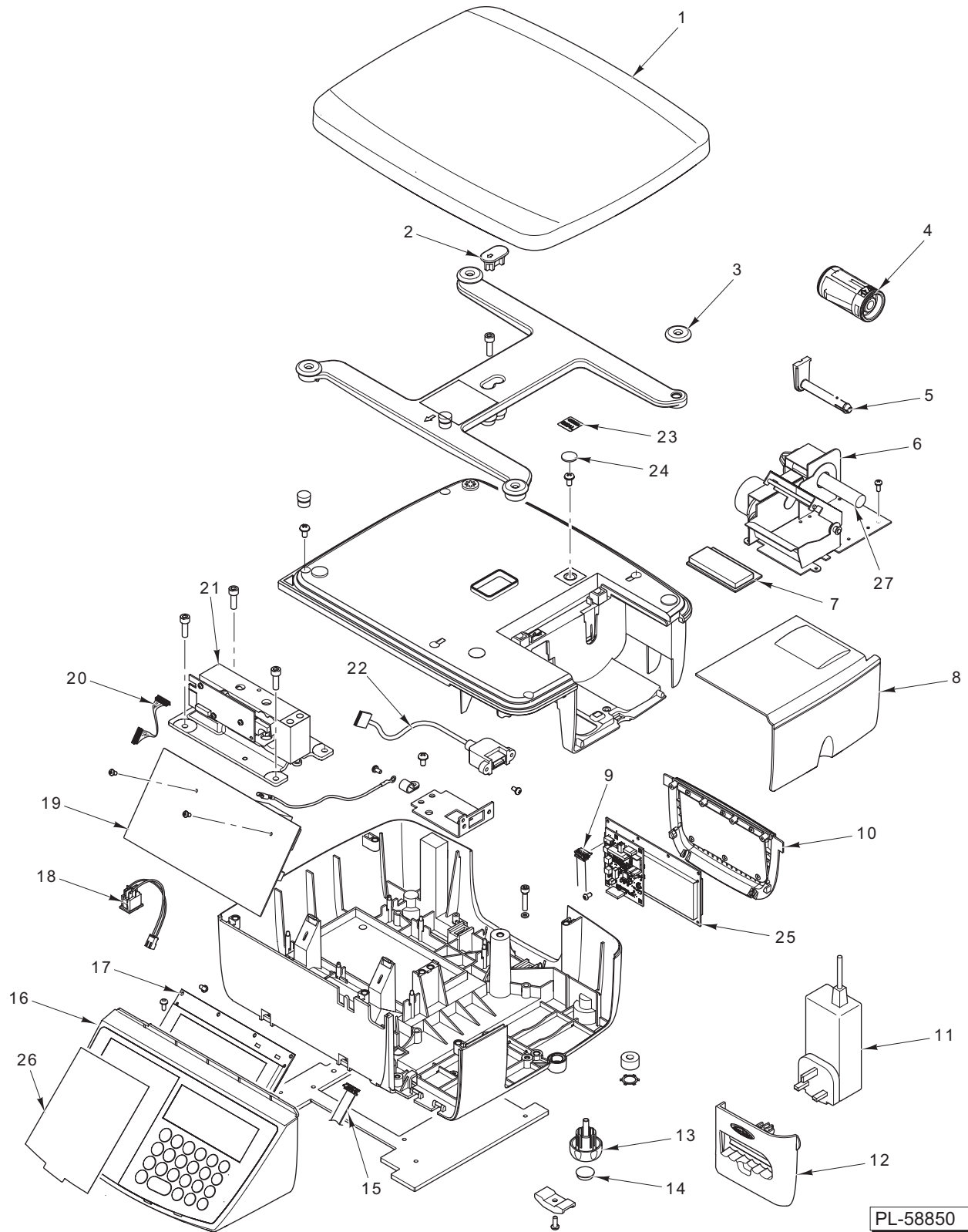


# CATALOG OF REPLACEMENT PARTS

## SD100 SCALE

ML-29295





SD100 SCALE UNIT

## SD100 SCALE UNIT

ILLUS.	PART NO.	NAME OF PART	AMT.
	PL-58850		
1	00-445170-00001	Pan (Platter).....	1
2	00-445170-00002	Plug.....	1
3	00-445170-00003	Mount – Platter .....	4
4	00-445170-00005	Hub – Label Roll .....	1
5	00-445170-00006	Hub – Tally Roll.....	1
6	00-445170-00007	Printer Assy.....	1
7	00-445170-00008	Printhead – Thermal .....	1
8	00-445170-00004	Door – Printer .....	1
9	00-445170-00021	Cable Assy. (Rear Display).....	1
10	00-445170-00010	Bezel Assy. (Rear Display).....	1
11	00-445170-00016	Power Supply (Wall Mount / In-Line, 24 V.) .....	1
12	00-445170-00009	Mouth Assy. (Ticket).....	1
13	00-445170-00019	Foot Assy. ....	4
14	00-445170-00020	Bumper – Foot.....	4
15	00-445170-00022	Cable Assy. (Front Display).....	1
16	00-445170-00018	Keyboard Assy. (Front Bezel) .....	1
17	00-445170-00011	Display (Interface).....	1
18	00-445170-00015	Input Assy. (Power).....	1
19	00-445170-00014	PC Board (Main).....	1
20	00-445170-00013	Cable Assy. (Load Cell).....	1
21	00-445170-00012	Transducer Assy. (15 kg, Programmed) (Load Cell).....	1
22	00-445170-00017	Cable Assy. (USB) .....	1
23	00-445170-00025	Seal – Hobart.....	2
24	00-445170-00027	Disc – Sealing.....	1
25	00-445170-00011	Display (Interface).....	1
26	00-445170-00029	Overlay (Insert).....	1
27	00-445630-00005	Spool – Take-Up .....	1
	00-445170-00023	Label – Warning.....	1
	00-445170-00024	Plate – Approvals.....	1
	00-445170-00028	Printer Cleaning Cards .....	3

