



CATALOG OF REPLACEMENT PARTS

SINGLE CUP DISHWASHER



SCW

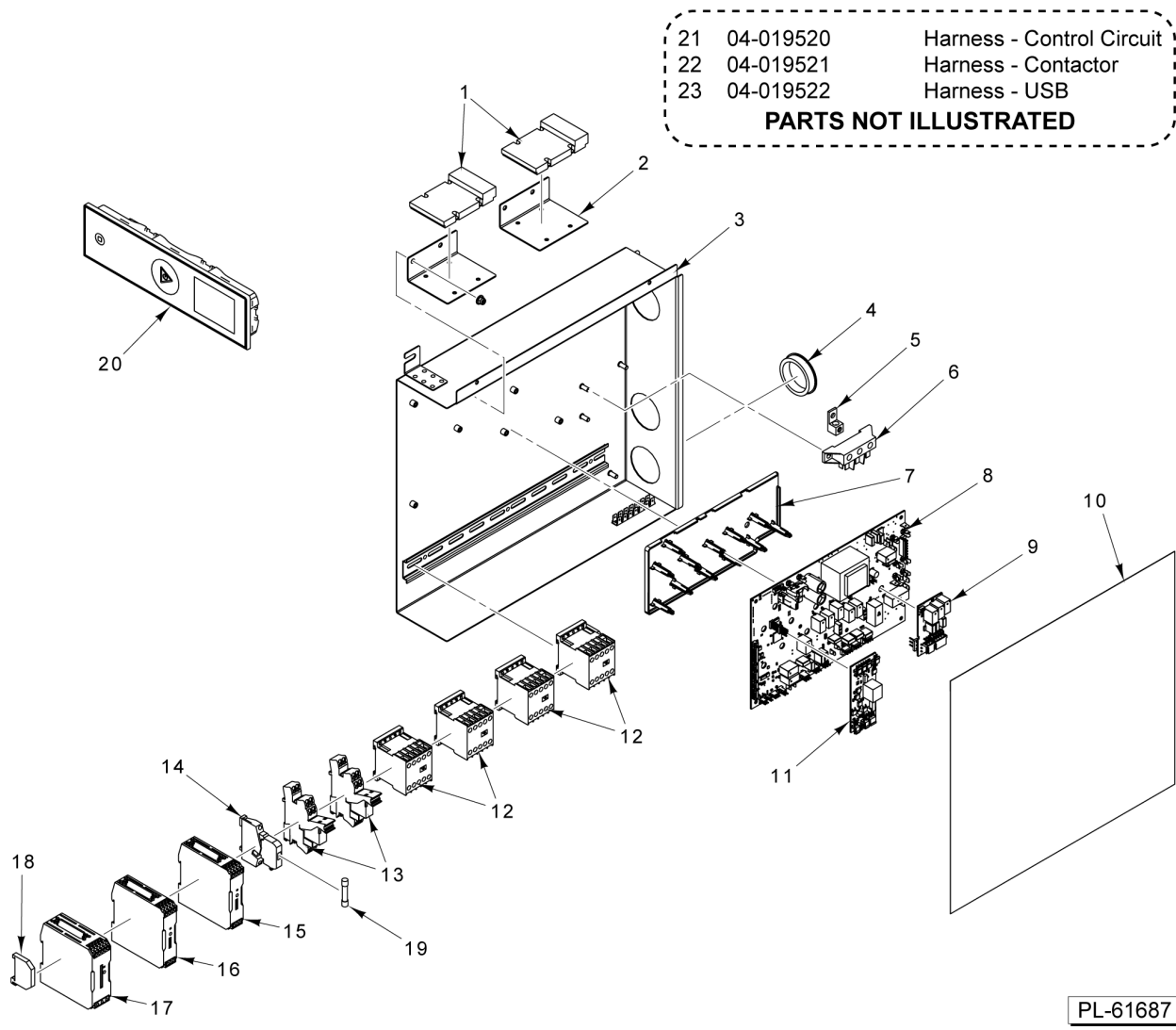
Single Cup Washer

SCL

Single Cup Lobby

Table of Contents

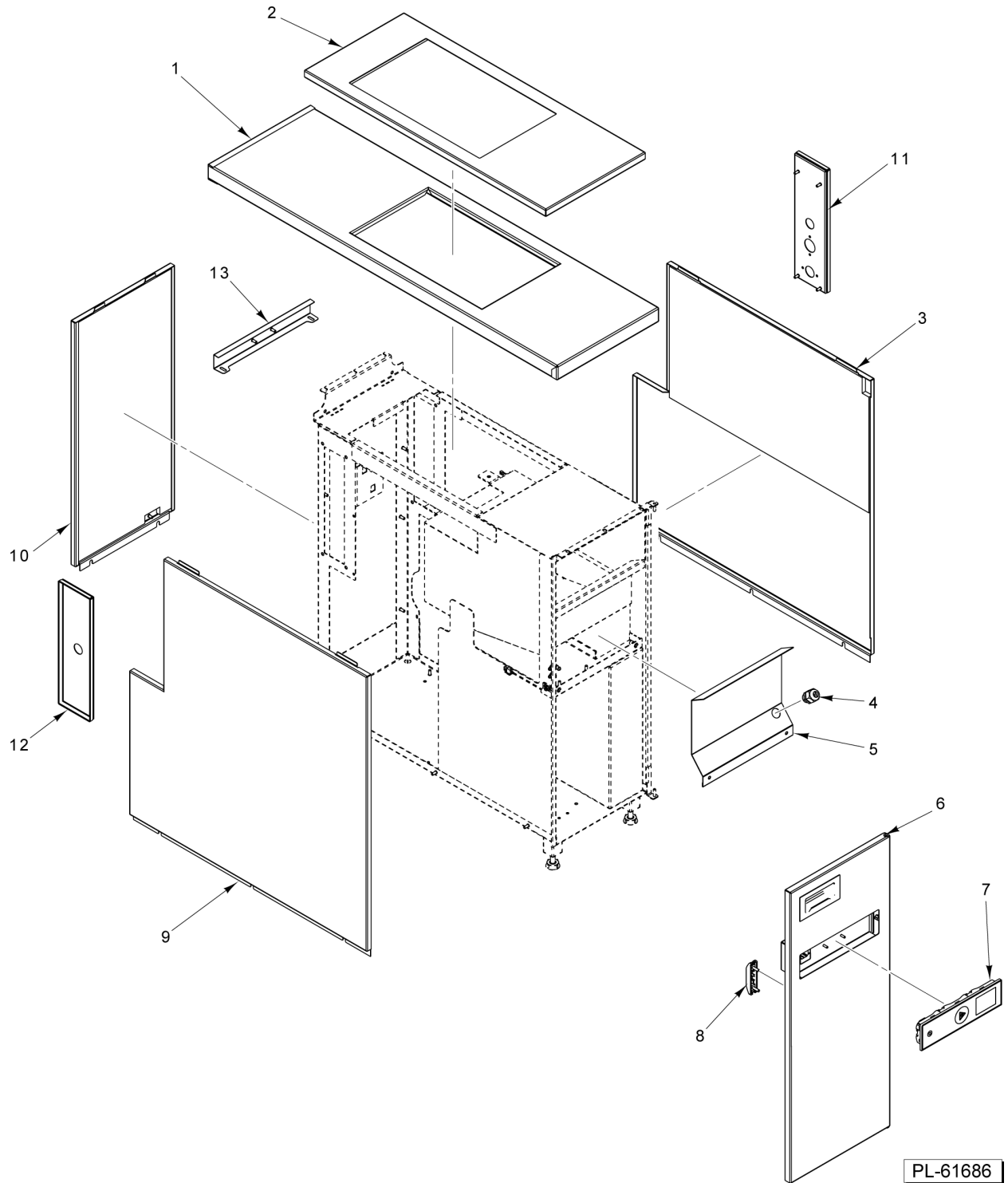
5	ELECTRICAL COMPONENTS
7	PANELS
9	WASH PUMP
11	DRAIN PUMP
13	BOOSTER
15	FILLING SYSTEM
17	TANK COMPONENTS
19	TOP WASH
21	CHEMICAL PUMPS
23	STRAINER



ELECTRICAL COMPONENTS

ELECTRICAL COMPONENTS

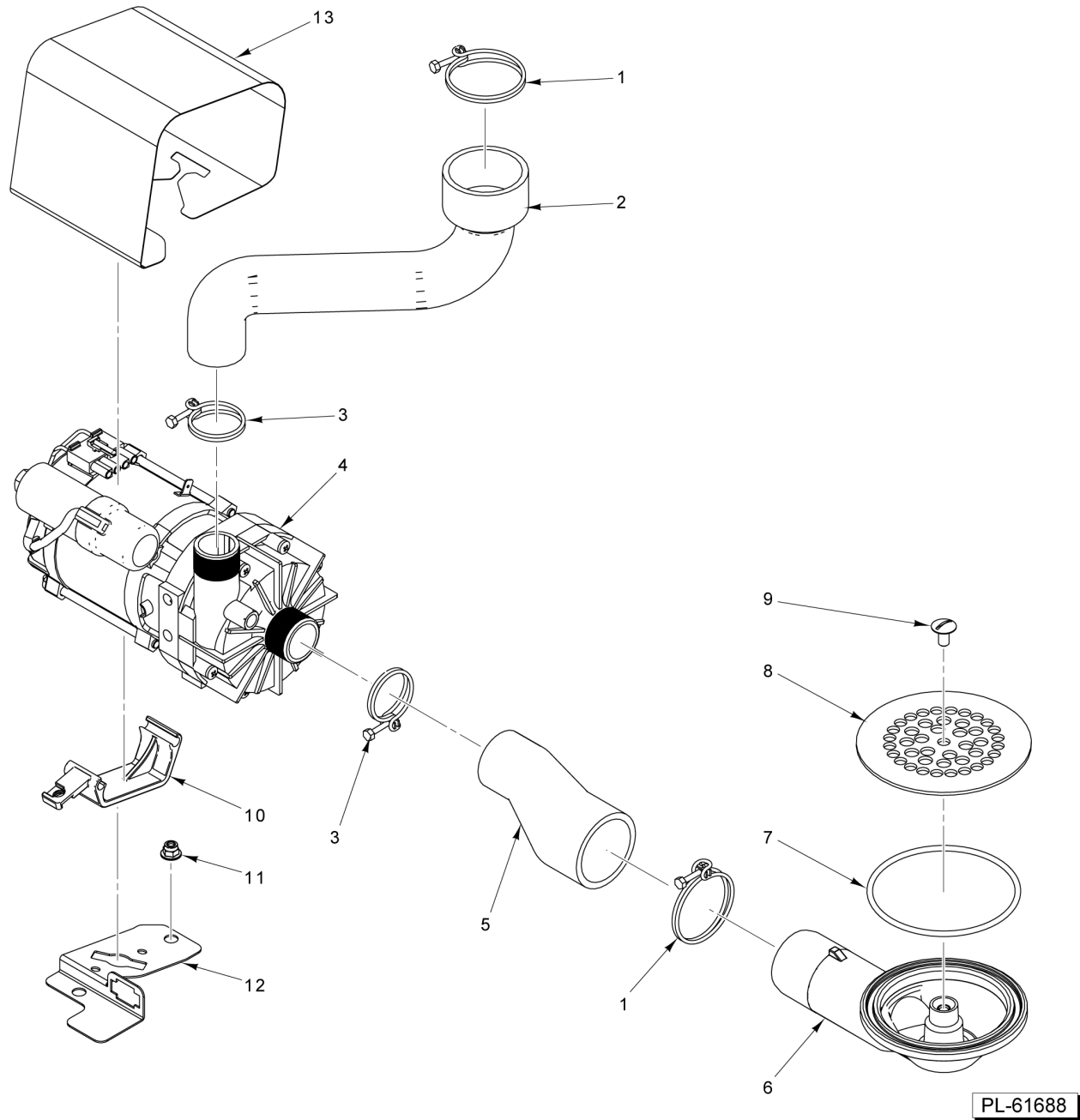
ILLUS.	PART NO.	NAME OF PART	AMT.
PL-61687			
1	04-021119-00001	Board.....	2
2	04-021299-00001	Bracket.....	2
3	04-021198-00001	Mount - Control Panel.....	1
4	00-886756-00001	Grommet.....	3
5	00-118544-00002	Lug - Grounding.....	1
6	00-774055-00002	Block - Terminal (3-Pole).....	1
7	00-562526	Support - Control.....	1
8	00-975430-00004	Board - Control.....	1
9	00-975431	Board (Daughter).....	2
10	04-021227-00001	Cover - Control Panel.....	1
11	00-975433	Board (Daughter).....	1
12	00-562597-00001	Contactactor (20 Amp.).....	4
13	00-887094-00006	Block - Terminal.....	2
14	00-775548-00001	Holder - Fuse.....	1
15	04-021205-00003	Block - Terminal (24 V. Power Supply).....	1
16	04-021205-00002	Block - Terminal (12 V. Power Supply).....	1
17	04-021205-00001	Block - Terminal (5 V. Power Supply).....	1
18	00-323981-00001	Clamp - End.....	2
19	00-775570-00001	Fuse (6 Amp.).....	1
20	04-006024-00001	Panel - Control.....	1
21	04-019520	Harness - Control Circuit.....	1
22	04-019521	Harness - Contactor.....	1
23	04-019522	Harness - USB.....	1



PANELS

PANELS

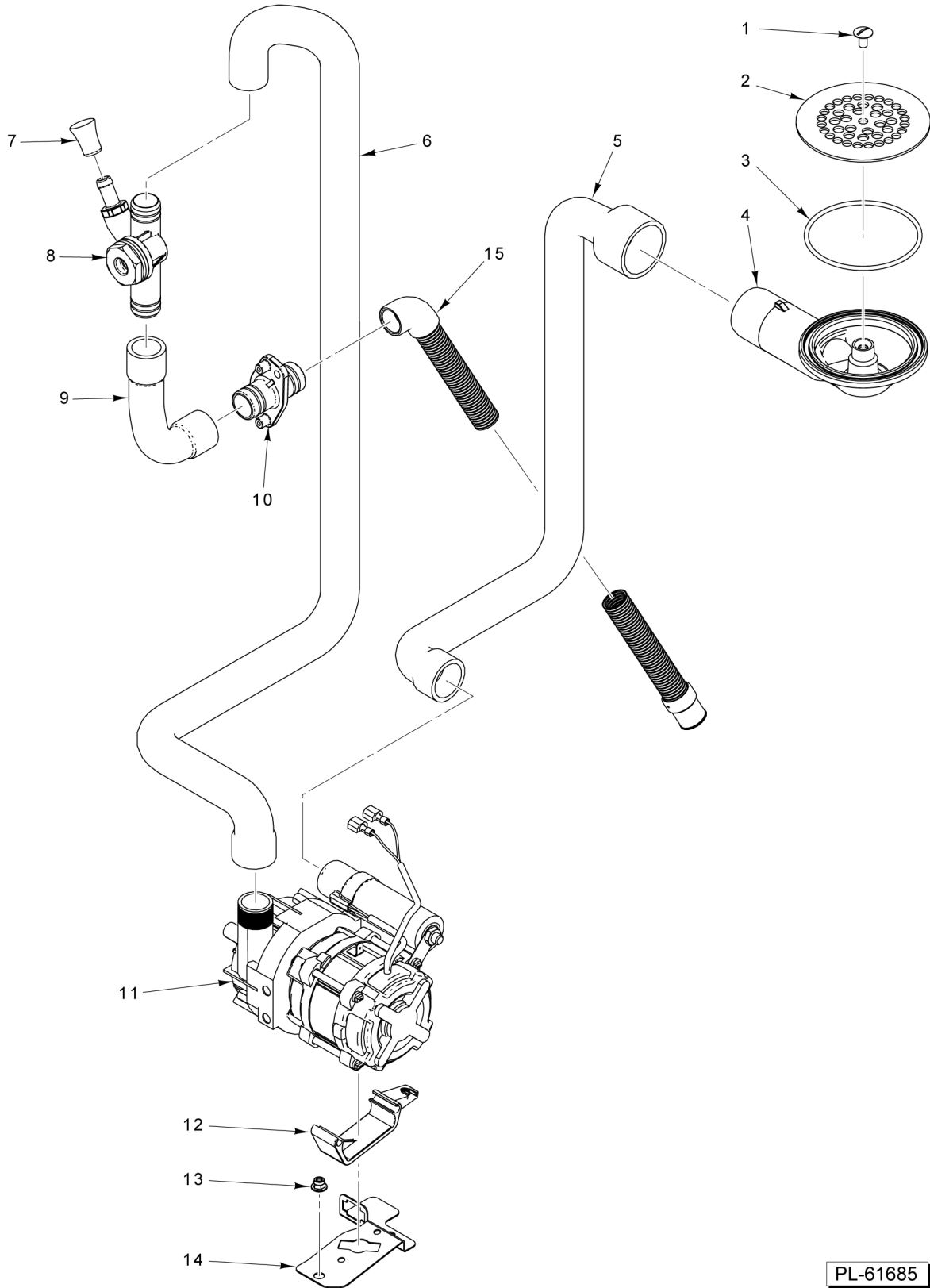
ILLUS.	PART NO.	NAME OF PART	AMT.
PL-61686			
1	04-021215-00001	Top - Counter.....	1
2	04-017883-00001	Panel - Top.....	1
3	04-021020-00001	Panel - Side (RH).....	1
4	00-695661-00013	Screw - Cable.....	1
5	04-017879-00001	Cover - Tank.....	1
6	04-021160-00001	Door Assy.....	1
7	04-006024-00001	Panel - Control.....	1
8	04-005317-00104	Lock - Door.....	1
9	04-021021-00001	Panel - Side (LH).....	1
10	04-021019-00001	Panel - Back.....	1
11	04-017880-00001	Panel - Conduit (RH).....	1
12	04-017882-00001	Panel - Conduit (LH).....	1
13	04-021302-00001	Cap - End.....	1



WASH PUMP

WASH PUMP

ILLUS.	PART NO.	NAME OF PART	AMT.
PL-61688			
1	00-323945-00049	Clamp - Hose.....	2
2	04-021180-00001	Hose.....	1
3	00-323945-00035	Clamp - Hose.....	2
4	00-936994	Pump - Rinse (208-240 V., 60 Hz., 1 Ph.).....	1
5	04-016768-00001	Hose.....	1
6	01-531711-00001	Drain Assy.....	1
7	01-245340-00004	O-Ring.....	1
8	01-245107-00001	Cover - Drain.....	1
9	00-603648	Screw M6 x 12.....	1
10	01-515154-00001	Holder.....	1
11	00-605321-00001	Nut M5.....	2
12	01-538638-00001	Holder.....	1
13	04-016290-00001	Cover - Mylar (Pump).....	1

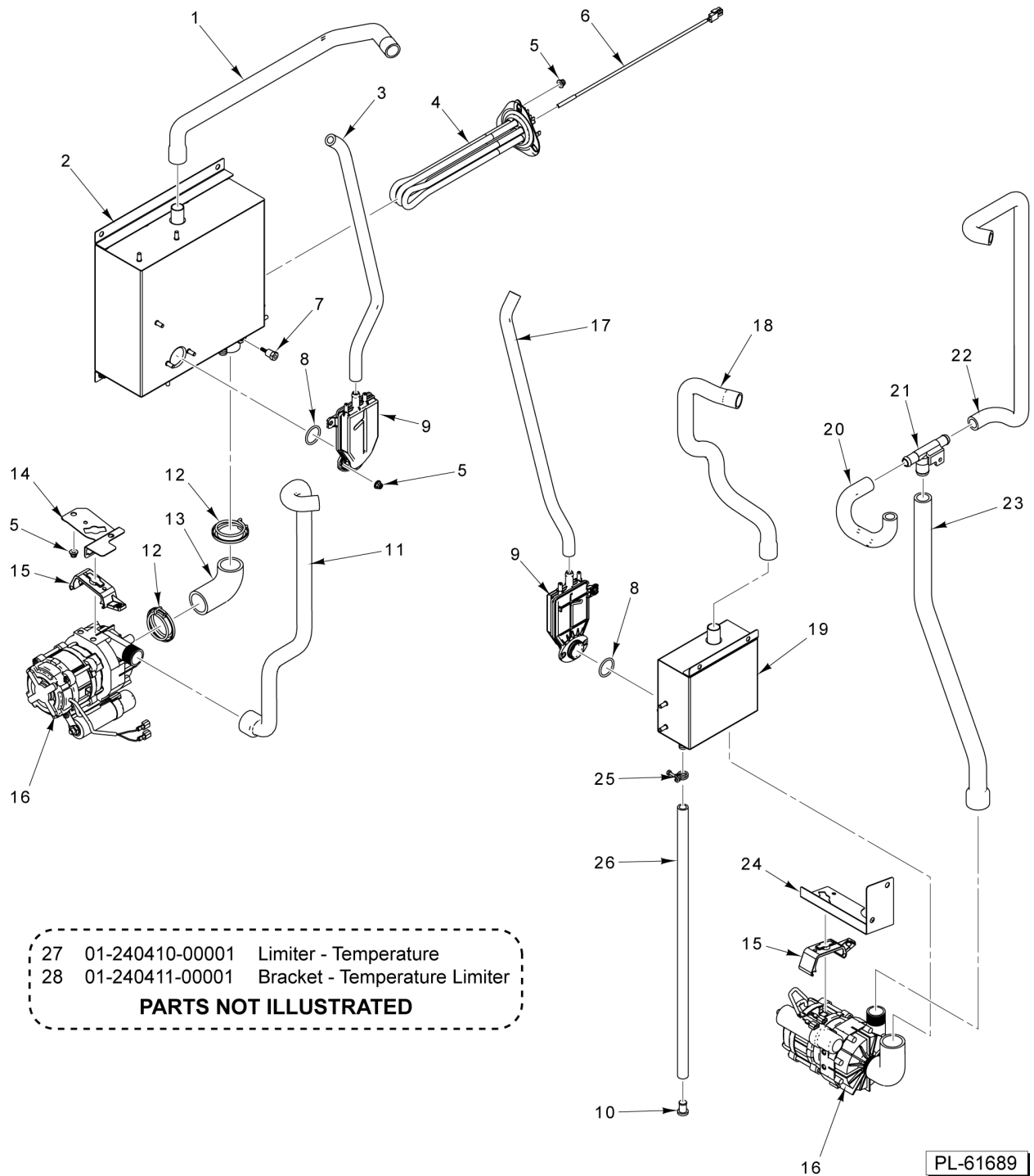


DRAIN PUMP

PL-61685

DRAIN PUMP

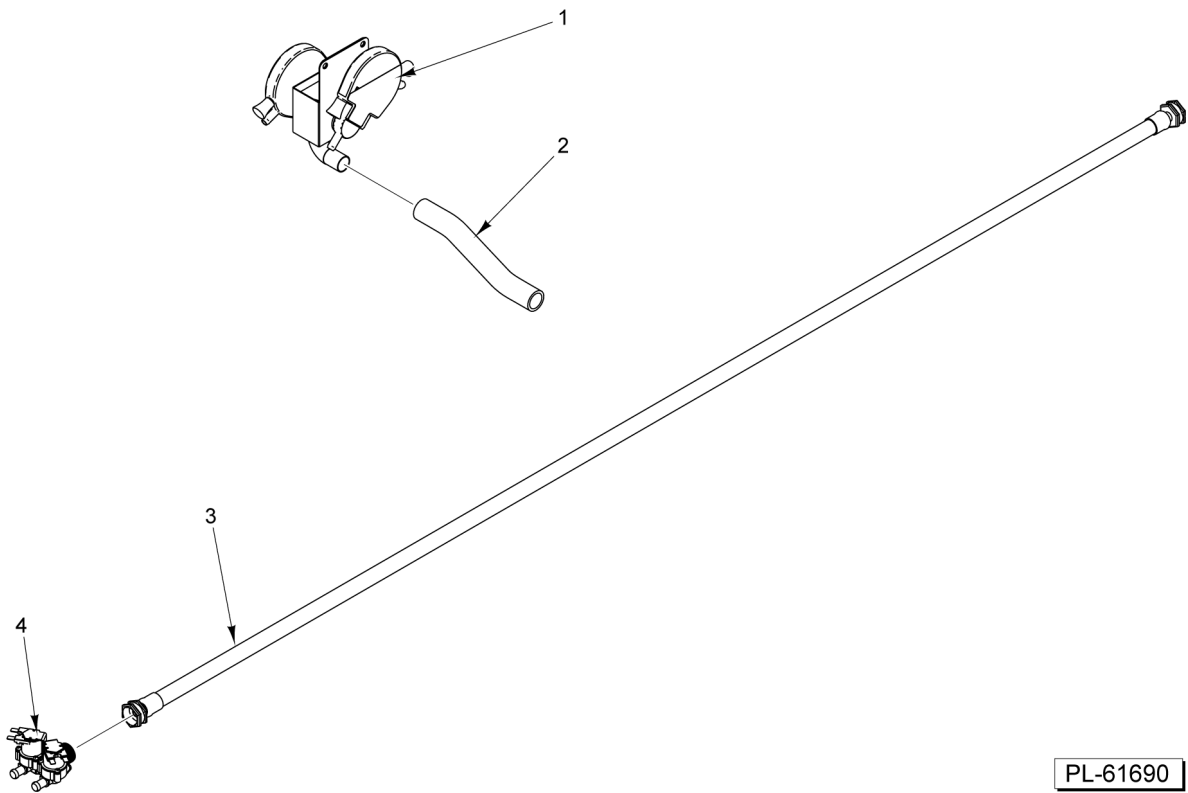
ILLUS.	PART NO.	NAME OF PART	AMT.
PL-61685			
1	00-603648	Screw M6 x 12.....	1
2	01-245107-00001	Cover - Drain.....	1
3	01-245340-00004	O-Ring.....	1
4	01-531711-00001	Drain Assy.....	1
5	04-021196-00001	Hose.....	1
6	04-021199-00001	Hose.....	1
7	00-775531-00001	Plug.....	1
8	01-515775-00001	Kit - Vent Valve.....	1
9	04-021202-00001	Hose.....	1
10	01-240159-00001	Adaptor.....	1
11	00-942096-00004	Pump - Drain (208 - 240V, 60Hz).....	1
12	01-515154-00001	Holder.....	1
13	00-605321-00001	Nut M5.....	2
14	01-538638-00001	Holder.....	1
15	00-883961-00002	Hose - Corrugated.....	1



BOOSTER

BOOSTER

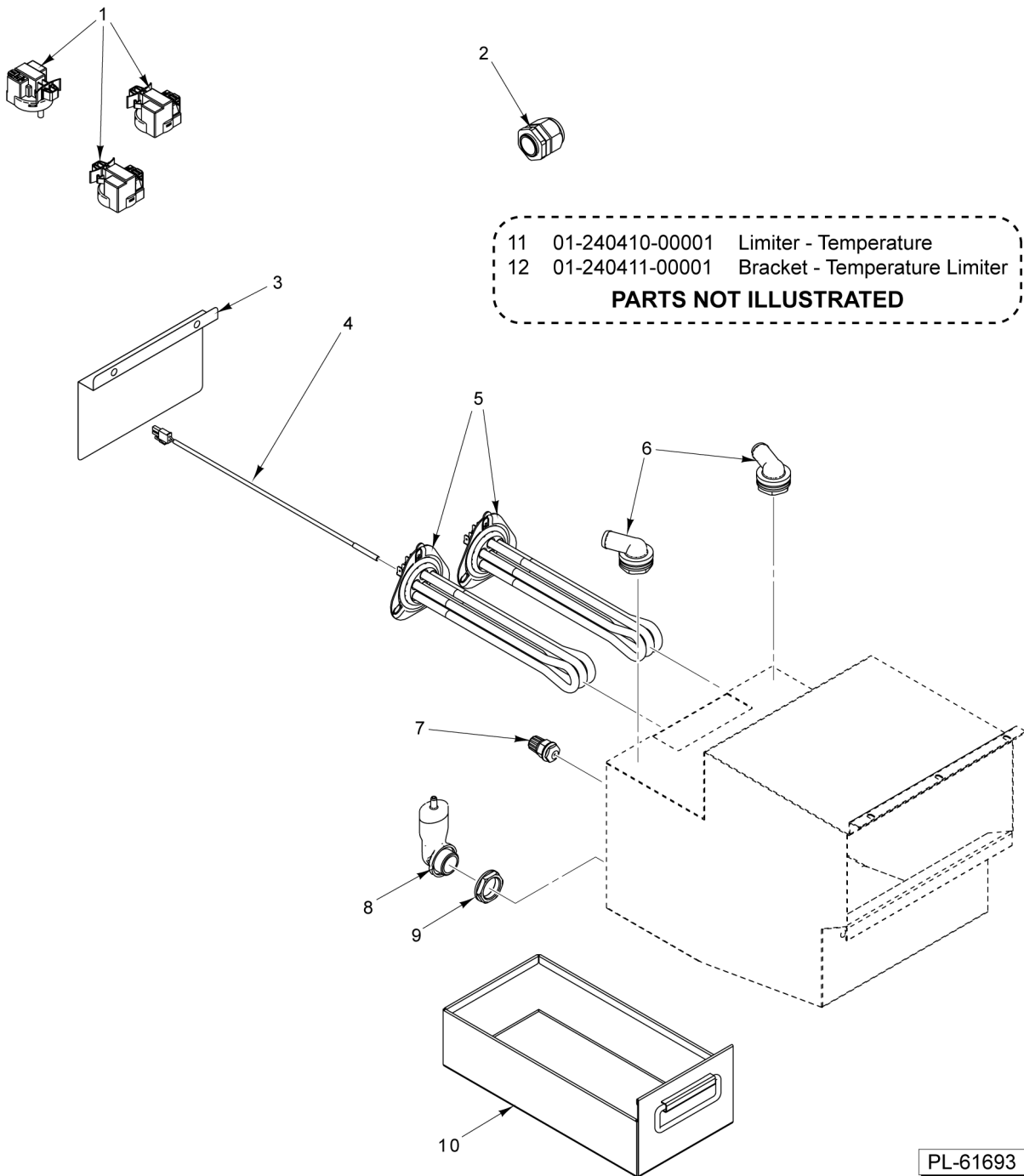
ILLUS.	PART NO.	NAME OF PART	AMT.
PL-61689			
1	04-021221-00001	Hose.....	1
2	04-017909-00001	Tank - Booster.....	1
3	04-021219-00001	Hose.....	1
4	04-021099-00002	Element - Heating.....	1
5	00-605321-00001	Nut M5.....	AR
6	00-775612-00001	Sensor - Temperature.....	1
7	00-328994	Probe Assy. - Rinse.....	1
8	00-276903-00073	O-Ring.....	2
9	01-539655-00001	Air Trap.....	2
10	00-774512-00001	Plug.....	1
11	04-021207-00001	Hose.....	AR
12	00-323945-00037	Clamp - Hose.....	4
13	04-021203-00001	Hose.....	2
14	01-538638-00001	Holder.....	1
15	01-515154-00001	Holder.....	2
16	00-942096-00002	Pump - Rinse (208-240 V., 60 Hz.).....	2
17	04-021222-00001	Hose.....	1
18	04-021220-00001	Hose.....	1
19	04-021091-00001	Tank - Booster.....	1
20	04-021209-00001	Hose.....	1
21	00-324071	T-Piece.....	1
22	04-021208-00001	Hose.....	1
23	04-021210-00001	Hose.....	1
24	04-021293-00001	Holder.....	1
25	00-323945-00015	Clamp - Hose.....	1
26	00-774080-00001	Hose.....	1
27	01-240410-00001	Limiter - Temperature.....	1
28	01-240411-00001	Bracket - Temperature Limiter.....	1



FILLING SYSTEM

FILLING SYSTEM

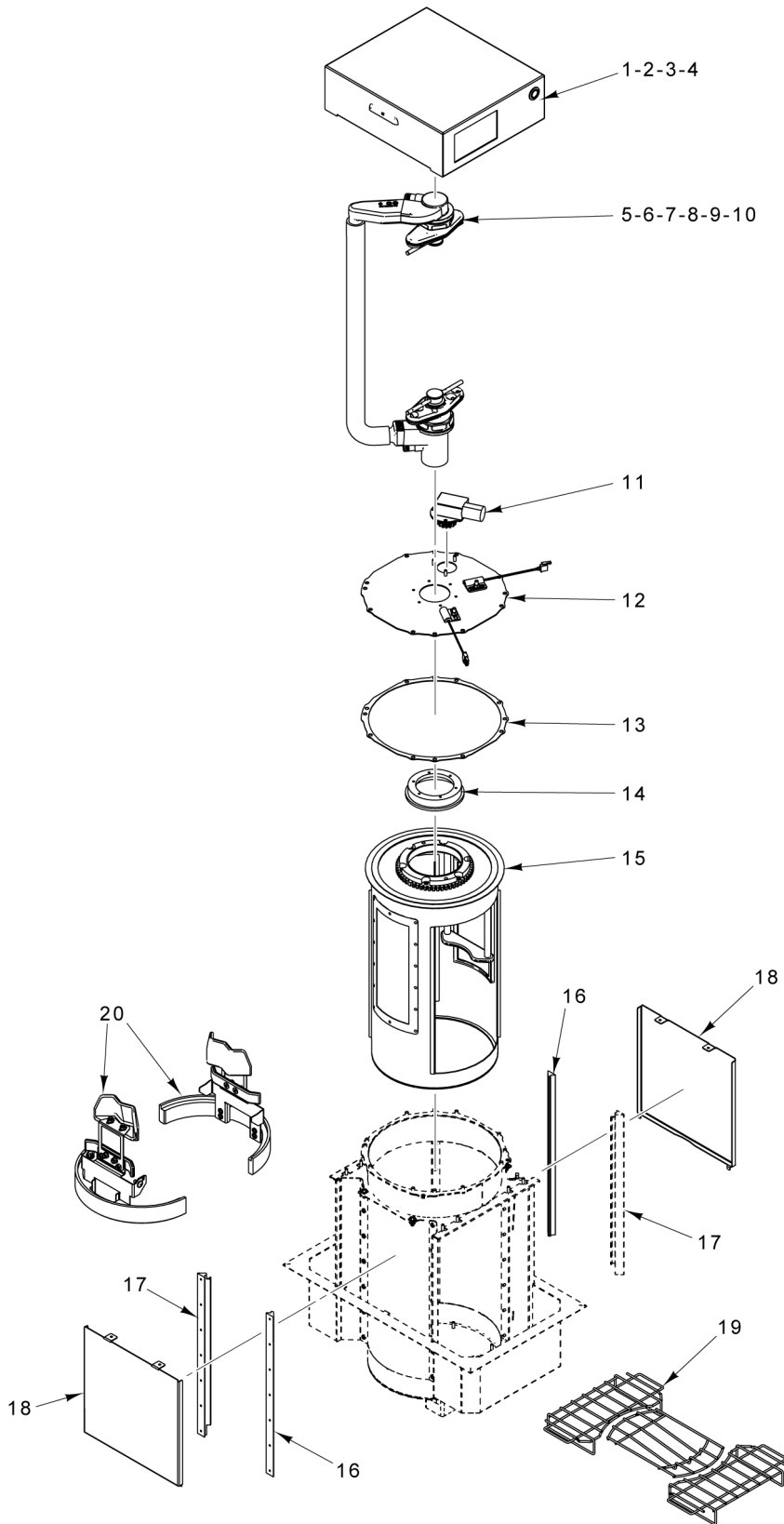
ILLUS. PL-61690	PART NO.	NAME OF PART	AMT.
1	00-950027	Fill - Air Assy. (Incls. Label).....	2
2	04-021204-00001	Hose.....	1
3	00-293408	Hose - Fill Assy.....	1
4	00-563073-00002	Valve - Fill.....	1



TANK COMPONENTS

TANK COMPONENTS

ILLUS.	PART NO.	NAME OF PART	AMT.
PL-61693			
1	01-539157-00001	Sensor - Pressure.....	3
2	00-695661-00004	Cable Screw.....	1
3	01-240283-00002	Cover.....	1
4	00-775612-00001	Sensor - Temperature.....	1
5	04-021099-00002	Element - Heating.....	2
6	000-883281-00001	Fitting.....	2
7	00-883676-00001	Fitting.....	1
8	01-515236-00001	Air Chamber.....	1
9	00-324384	Nut.....	1
10	04-021158-00001	Drawer - Chemical.....	1
11	01-240410-00001	Limiter - Temperature.....	1
12	01-240411-00001	Bracket - Temperature Limiter.....	1

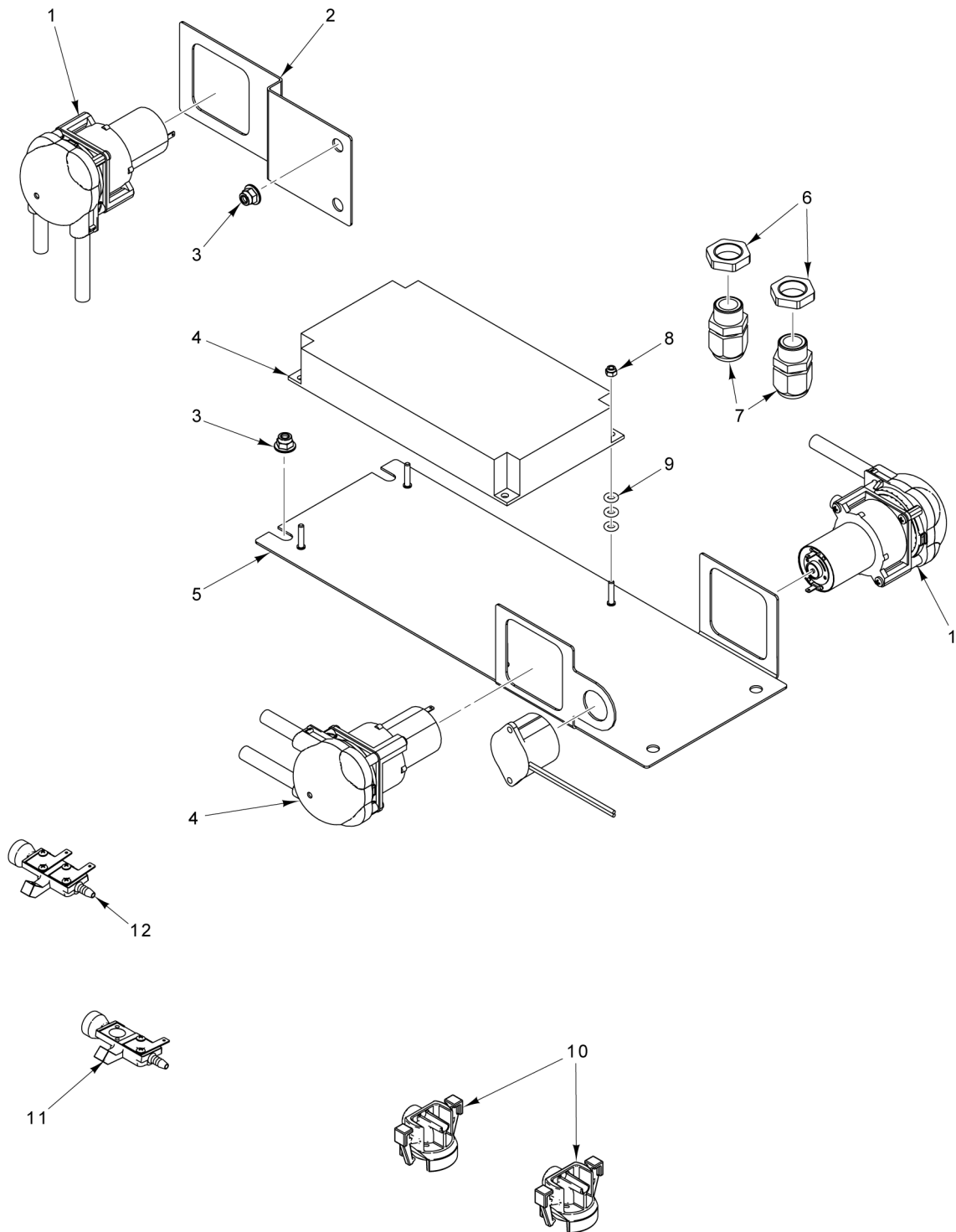


PL-61692

TOP WASH

TOP WASH

ILLUS. PL-61692	PART NO.	NAME OF PART	AMT.
1	04-021117-00001	Top Cover Assy. W/ Display.....	1
2	04-021116-00001	Cover - Top W/O Display.....	1
3	04-017663-00001	Button - Push.....	1
4	04-021114-00001	Display.....	1
5	04-021140-00001	Wash and Rinse Assy.....	1
6	04-017840-00001	Arm - Wash.....	2
7	04-017954-00001	Arm - Rinse.....	2
8	04-021168-00001	Manifold - Upper Wash.....	1
9	04-021174-00001	Manifold - Lower Wash.....	1
10	04-021176-00001	Hose - Wash Manifold.....	1
11	04-017939-00001	Door Drive Assy.....	1
12	04-017937-00001	Wash Chamber Top Assy.....	1
13	04-021000-00001	Gasket.....	1
14	04-017948-00001	Ring - Centering.....	1
15	04-017964-00001	Wash Cylinder Assy.....	1
16	04-017947-00001	Seal.....	2
17	04-017946-00001	Seal.....	2
18	04-017949-00001	Panel - Side.....	2
19	04-017977-00001	Rack - Wash Chamber.....	1
20	04-017978-00001	Holder Assy.....	2

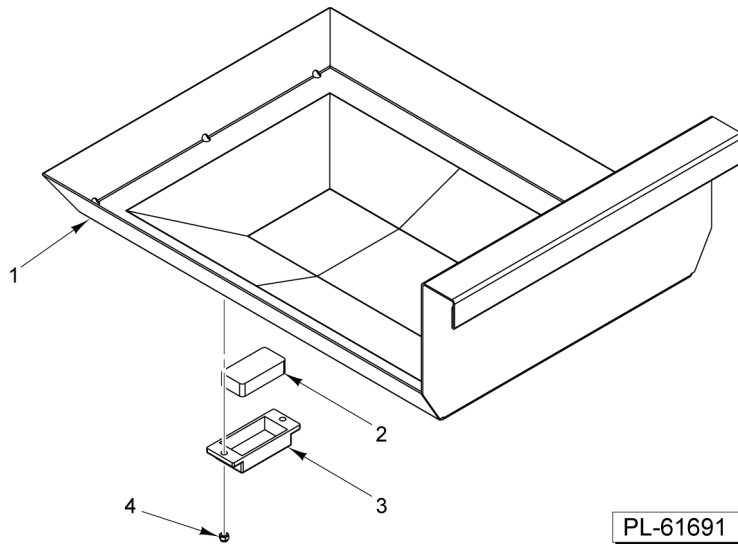


PL-61684

CHEMICAL PUMPS

CHEMICAL PUMPS

ILLUS.	PART NO.	NAME OF PART	AMT.
PL-61684			
1	00-941638-00002	Pump - Chemical (Blue) (Detergent).....	1
2	04-017920-00001	Bracket.....	1
3	00-605321-00001	Nut M5.....	AR
4	00-563611	Pump - Chemical (Rinse Aid).....	1
5	04-017921-00001	Bracket - Chemical Pumps.....	1
6	00-695664-00002	Nut.....	2
7	00-695661-00002	Nut - Screw.....	2
8	00-602528	Nut M3.....	4
9	04-021013-00001	Spacer.....	AR
10	00-949306-00002	Cap - Chemical Bottle.....	2
11	00-950372-00003	Sensor (Rinse Aid).....	1
12	00-950372-00002	Sensor (Detergent).....	1



STRAINER

STRAINER

ILLUS. PL-61691	PART NO.	NAME OF PART	AMT.
1	04-017892-00001	Strainer Assy.....1	1
2	01-291976-00001	Magnet.....1	1
3	04-021466-00001	Holder - Magnet.....1	1
4	00-602528	Nut M3.....2	2

