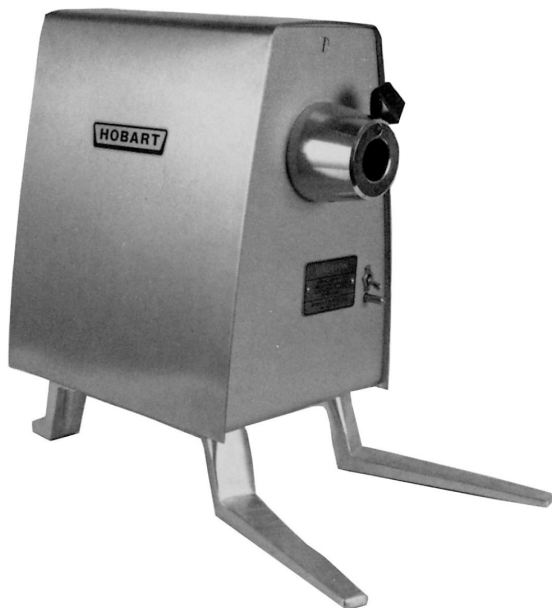




CATALOG OF REPLACEMENT PARTS



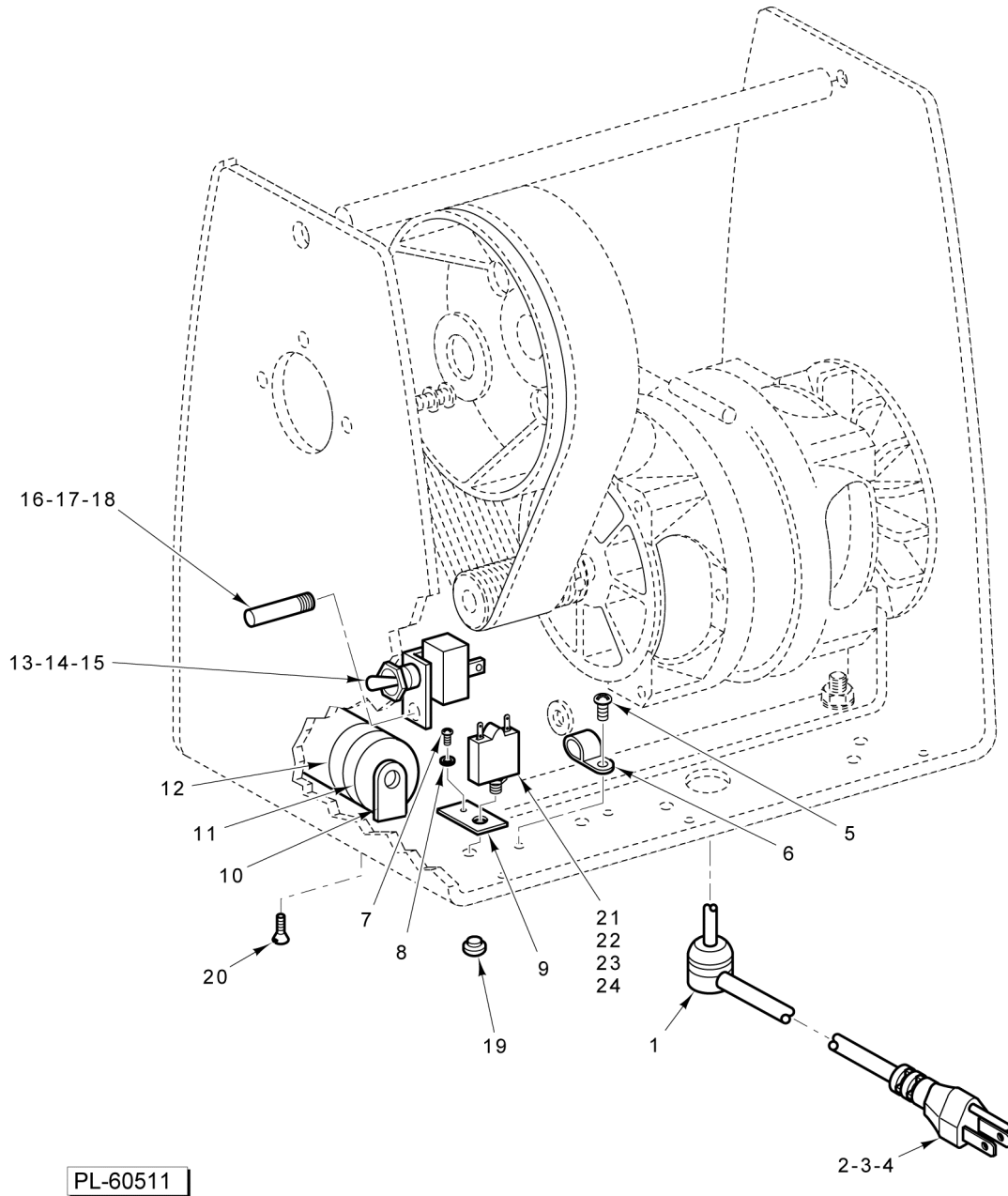
POWER DRIVE UNIT

ML-19812	PD35
ML-19813	PD70
ML-32450	PD70 (Canada)

(Includes Motor Parts)

Table of Contents

5 SWITCH AND RESET
7 POWER DRIVE UNIT
9 MOTOR UNIT

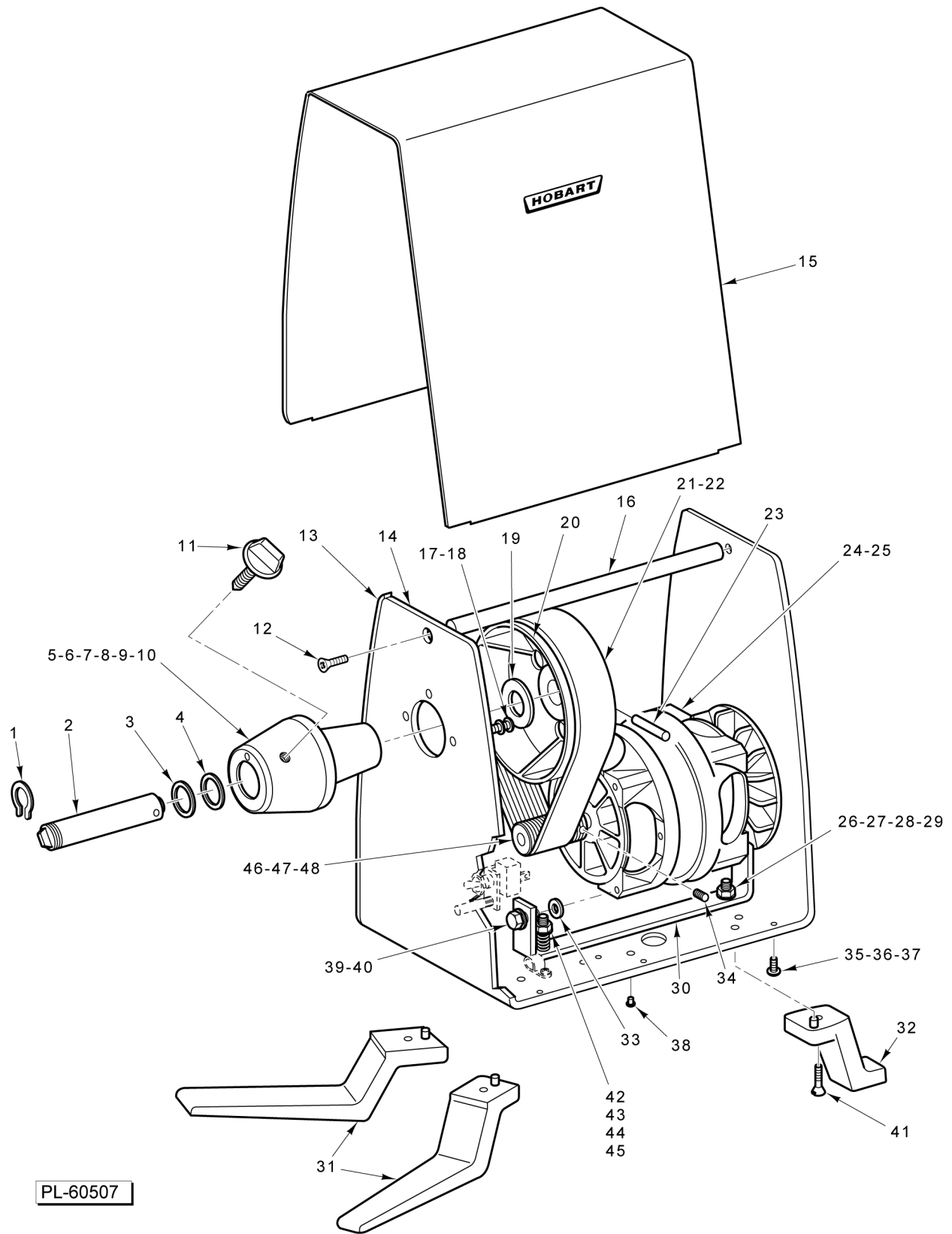


SWITCH AND RESET

SWITCH AND RESET

ILLUS.	PART NO.	NAME OF PART	AMT.
PL-60511			
1	FE-015-05	Strain Relief.....	1
2	00-117542-00021	Cord & Plug (115 V.).....	1
3	SC-018-52	Mach. Screw 10-24 x 5/16 Pan Hd. (Ground Wire to Frame).....	1
4	WL-007-12	Lockwasher #10 External Shakeproof.....	1
5	SC-018-52	Mach. Screw 10-24 x 5/16 Pan Hd.....	1
6	00-078752-00012	Clamp - Cable.....	1
7	SC-009-82	Mach. Screw 8-32 x 5/16 Rd. Hd.....	1
8	WL-003-13	Lockwasher #8 Helical.....	1
9	00-915674	Bracket.....	1
*10	00-066621-00003	Bracket - Capacitor.....	1
*11	00-070486-00001	End Cap - Capacitor.....	1
*12	00-070487-00001	Capacitor (1 Ph.).....	1
13	00-000286	Lock - Switch.....	1
14	00-076612	Plate - Switch Indicator.....	1
15	00-087711-148-1	Switch (With Nuts).....	1
16	00-000767	Guard - Switch.....	1
17	NS-009-22	Nut 10-24 Hex.....	1
18	WL-006-06	Lockwasher #10 Helical (SST).....	1
19	PB-015-21	Plug (Domestic).....	1
20	SD-024-16	Self-Tapping Screw 10-24 x 1/2 Phil. Flat Hd., Type TT.....	2
21	00-915681-00001	Kit - Motor Protector (120 V.) (Canada Only) (Incls. Items 7, 8, 9, & 23).....	1
22	01-915681-00002	Kit - Motor Protector (230 V.) (Canada Only) (Incls. Items 7, 8, 9, & 24).....	1
23	00-937596-00001	Protector - Motor (115 V.) (Canada Only).....	1
24	00-937596-00002	Protector - Motor (220 V.) (Canada Only).....	1

* (Hobart Built Motor Only)



PL-60507

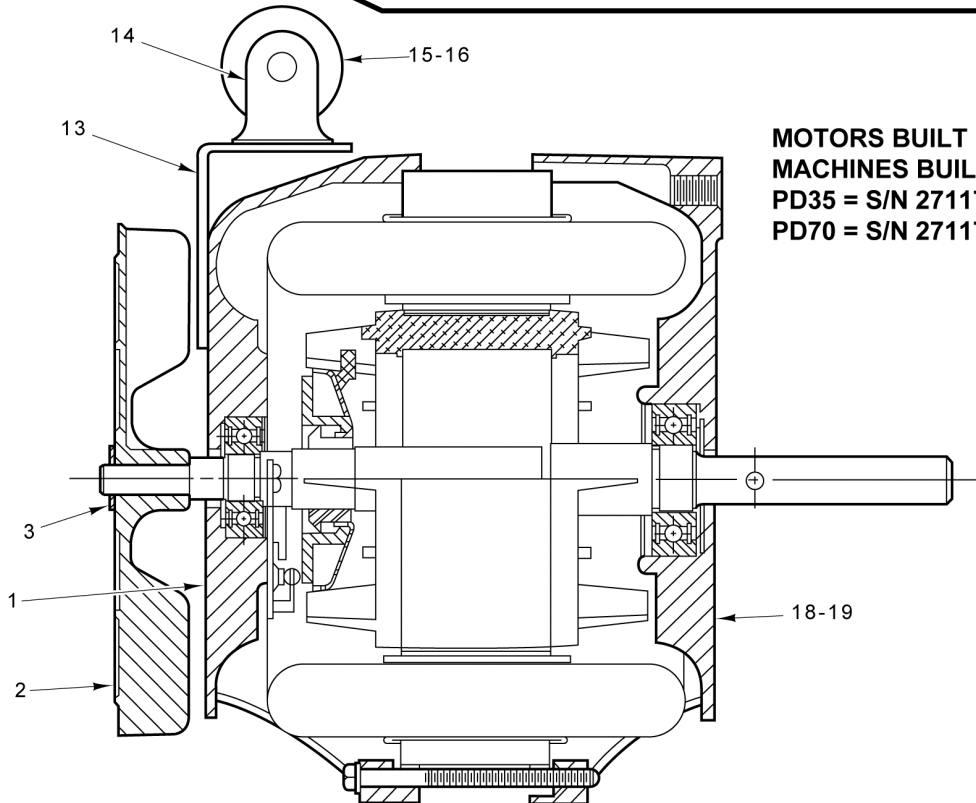
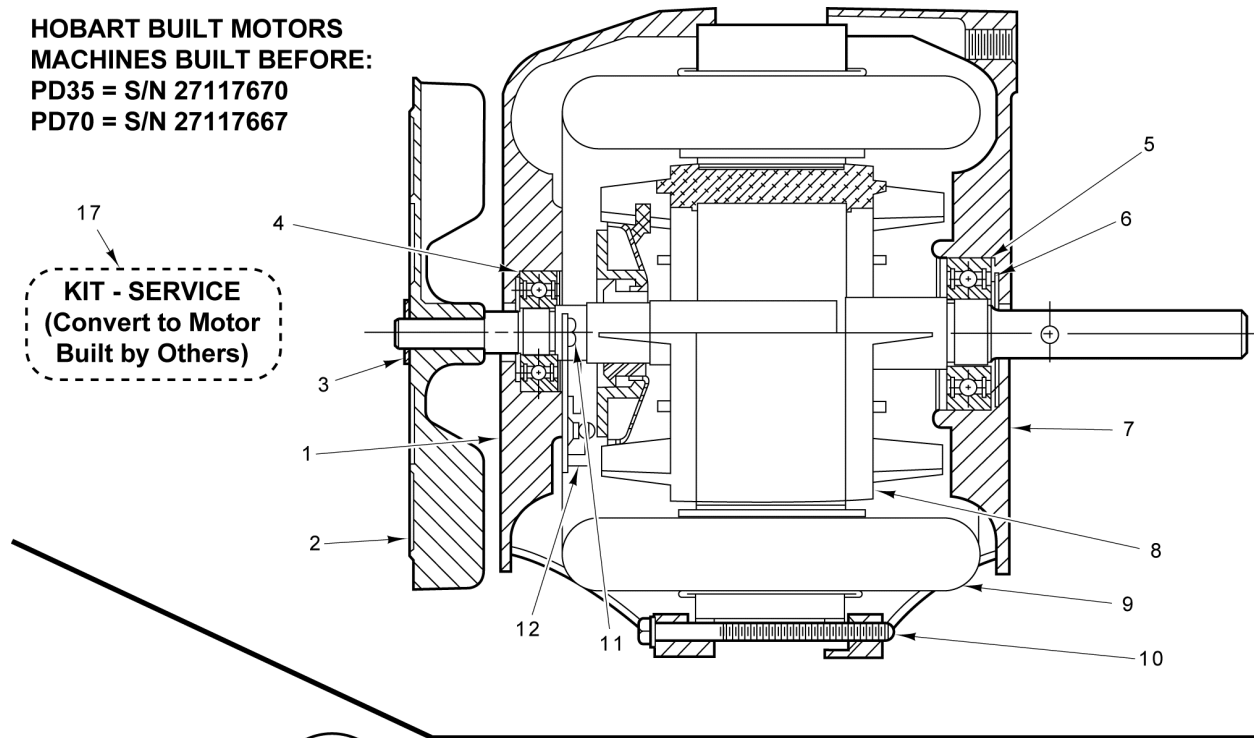
POWER DRIVE UNIT

POWER DRIVE UNIT

ILLUS.	PART NO.	NAME OF PART	AMT.
PL-60507			
1	RR-009-04	Retaining Ring.....	1
2	00-076868	Sleeve - Drive.....	1
3	WS-025-05	Washer (SST).....	1
4	WS-025-04	Washer (Fiber).....	1
5	00-076864	Hub Assy. (Incls. Item 6).....	1
6	00-076866	Needle Bearing.....	2
7	00-118159-00001	Shim (0.002 Thk.).....	1
8	00-118159-00002	Shim (0.005 Thk.).....	1
9	00-118159-00003	Shim (0.008 Thk.).....	1
10	00-118159-00004	Shim (0.015 Thk.).....	1
11	00-108197-00001	Thumb Screw 1-1/4.....	1
12	SC-014-95	Mach. Screw 1/4-28 x 5/8 Flat Hd.....	2
13	00-526192	Tape - Gray Vinyl Foam.....	AR
14	00-290246-00002	Frame Assy. (Incls. Welded Tie Rod).....	1
15	00-076888	Cover & Logo Plate Assy.....	1
16	00-076860	Rod - Tie.....	1
17	WL-003-48	Lockwasher 5/16 High Collar.....	3
18	SC-012-94	Mach. Screw 5/16-18 X 3/4 Fil. Hd.....	3
19	WS-013-41	Washer (Fiber).....	AR
20	00-076869	Pulley - Flat.....	1
21	00-076870-00001	Belt - Poly V (24 In.) (PD35).....	1
22	00-076870-00002	Belt - Poly V (26 In.) (PD70).....	1
23	RP-004-28	Pin - Roll 0.250 (1-3/4 Lg.).....	1
24	00-270883-00001	Motor Assy. (PD35).....	1
25	00-270883-00002	Motor Assy. (PD70).....	1
26	NS-013-14	Nut 5/16-18 Hex.....	2
27	WL-003-48	Lockwasher 5/16 High Collar.....	2
28	SC-014-65	Mach. Screw 5/16-18 x 1 Flat Hd.....	2
29	PB-004-48	Cap.....	4
30	00-290243	Bracket - Motor Mount.....	2
31	00-076861	Leg Assy. (Long) (Front).....	2
32	00-076877	Leg Assy. (Short) (Rear).....	2
33	WS-017-16	Washer.....	2
34	SC-116-87	Set Screw 10-24 x 1/4 Hds., Cup Pt.....	1
35	WS-019-20	Washer (SST).....	AR
36	WS-023-03	Washer (SST).....	AR
37	SD-024-01	Self-Tapping Screw 10-24 x 3/8 Slotted Pan Hd., Type TT.....	6
38	00-072084	Cap - Caplug (Tapered).....	4
39	WL-003-44	Lockwasher 5/16 Helical.....	4
40	SC-037-75	Cap Screw 5/16-18 x 3/4 Hex Hd.....	4
41	SC-014-65	Mach. Screw 5/16-18 x 1 Flat Hd.....	4
42	NS-031-26	Stop Nut 5/16-18.....	1
43	00-290240	Spring - Tension.....	1
44	SC-014-05	Mach. Screw 5/16-18 x 1-3/4 Flat Hd.....	1
45	WL-009-14	Lockwasher 5/16 External Shakeproof.....	2
46	00-290241	Pulley - Drive (1.3 P.D.) (PD35).....	1
47	00-290242	Pulley - Drive (2.6 P.D.) (PD70).....	1
48	00-012430-00072	Key.....	1

**HOBART BUILT MOTORS
MACHINES BUILT BEFORE:
PD35 = S/N 27117670
PD70 = S/N 27117667**

**KIT - SERVICE
(Convert to Motor
Built by Others)**



**MOTORS BUILT BY OTHERS
MACHINES BUILT ON OR AFTER:
PD35 = S/N 27117670
PD70 = S/N 27117667**

PL-60508

MOTOR UNIT

MOTOR UNIT

ILLUS.	PART NO.	NAME OF PART	AMT.
PL-60508			
*1		Bracket - Bearing (Switch End).....	1
2	00-292466-00002	Fan - Ventilating.....	1
3	RR-007-18	Retaining Ring.....	1
4	BB-018-12	Ball Bearing - Fafnir #P201KDD.....	1
5	BB-020-18	Bearing - Ball.....	1
6	SL-002-10	Loading Spring - N.D. #S-17-A.....	1
7	00-111834	Bracket - Bearing (Drive End).....	1
*8		Rotor Assy.....	1
*9		Stator Assy. (115 V., 60 Hz., 1 Ph.).....	1
10	00-101233-00003	Mach. Screw 8-32 x 3 Hex Washer Hd.....	4
11	SD-009-34	Self-Tapping Screw 6-32 x 3/8 Phil. Pan Hd., Type F.....	2
*12		Switch - Starting (Stationary Part).....	1
13	00-290290	Bracket - Capacitor Mounting.....	1
14	00-066621-00001	Bracket - Capacitor.....	1
15	00-070487-00001	Capacitor (1 Ph.).....	1
16	00-070486-00002	Cap - Capacitor End.....	1
17	00-270473-00001	Kit - Service (Convert Hobart Motor).....	1
18	00-270883-00001	Motor Assy. (PD35).....	1
19	00-270883-00002	Motor Assy. (PD70).....	1

* (This part no longer available; order Item 17.)

