



CATALOG OF REPLACEMENT PARTS



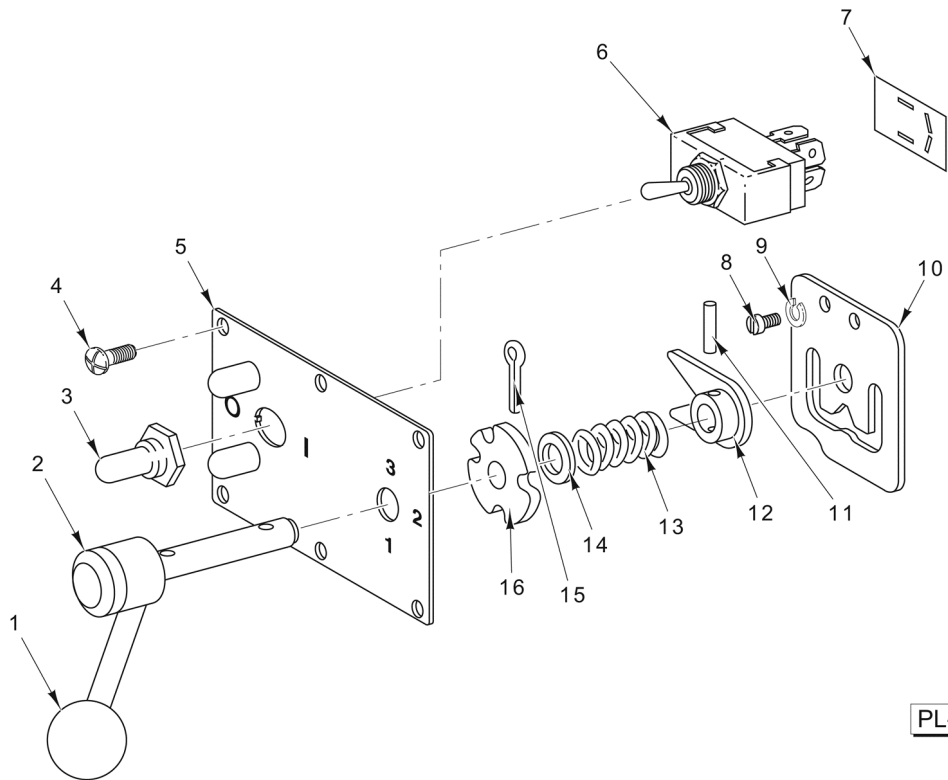
N50CE MIXER

(INCLUDES MOTOR PARTS)

ML-134269	(Canada)
ML-134270	(Korean)
ML-134271	(CE)
ML-134273	(Japan)

Table of Contents

5 SWITCH UNIT (ML-134271)
7 SWITCH UNIT (ML-134269, ML-134270, AND ML-134273)
9 VARIOUS PAINTED PARTS
11 COLUMN AND BASE UNIT (ML-134271)
13 COLUMN AND BASE UNIT (ML-134269, ML-134270, AND ML-134273)
15 BOWL LIFT ARM AND BRACKET
17 PLANETARY
19 TRANSMISSION
21 MOTOR PARTS
23 BOWL AND AGITATOR UNIT

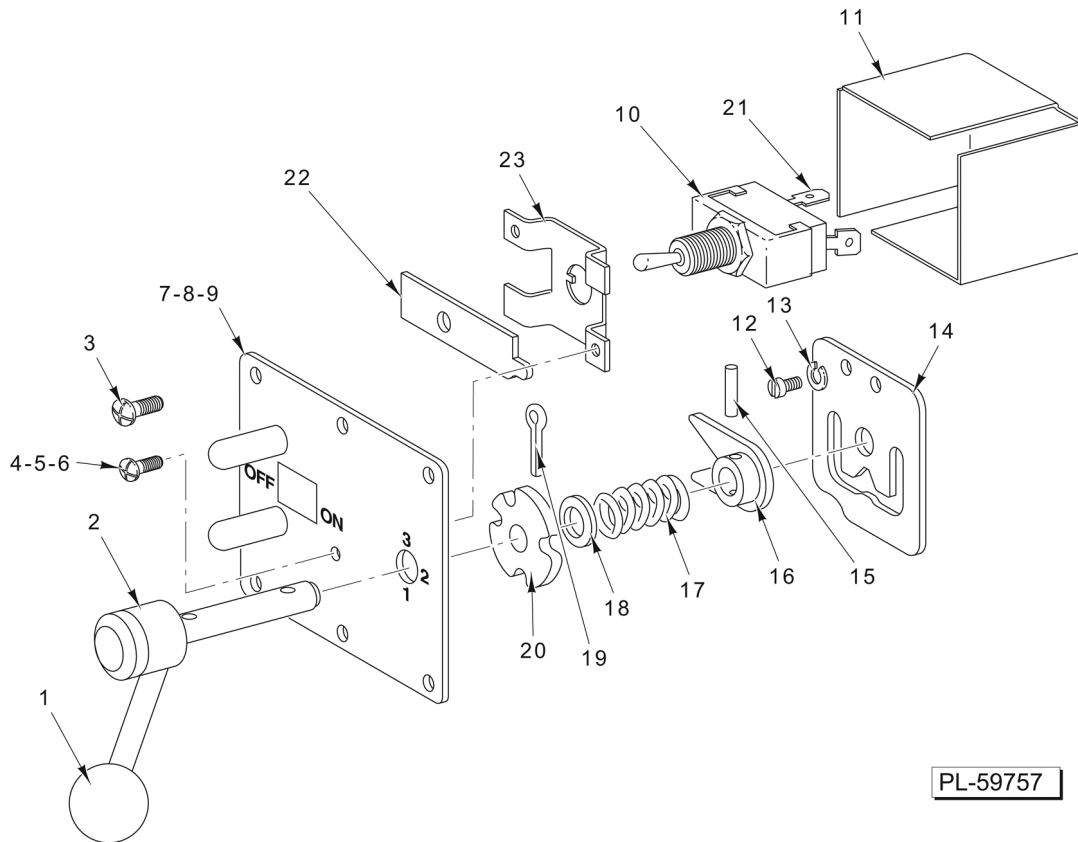


PL-57179

SWITCH UNIT (ML-134271)

SWITCH UNIT (ML-134271)

ILLUS.	PART NO.	NAME OF PART	AMT.
PL-57179			
1	00-077401	Knob - Shifter Handle.....	1
2	00-290196-00003	Shift Handle Assy. (Incls. Item 1).....	1
3	00-479528-00001	Boot - Switch.....	1
4	00-123109	Screw 6-32 x 3/8 Serrated Hd.....	6
5	00-477918	Control Box Plate Assy.....	1
6	00-875567	Switch Assy.....	1
7	00-477916	Insulator - Switch.....	1
8	00-009091	Screw - Cam Plate Retaining.....	2
9	WL-019-79	Lockwasher #12 Light.....	2
10	00-009062	Plate - Cam.....	1
11	RP-005-03	Rollpin 1/8 Dia. x 5/8 Lg.....	1
12	00-479548	Fork - Shifter.....	1
13	00-007433-00001	Spring.....	1
14	WS-004-47	Washer.....	1
15	PC-006-34	Cotter Pin 7/64 x 1.....	1
16	00-009059	Disc - Interlock.....	1

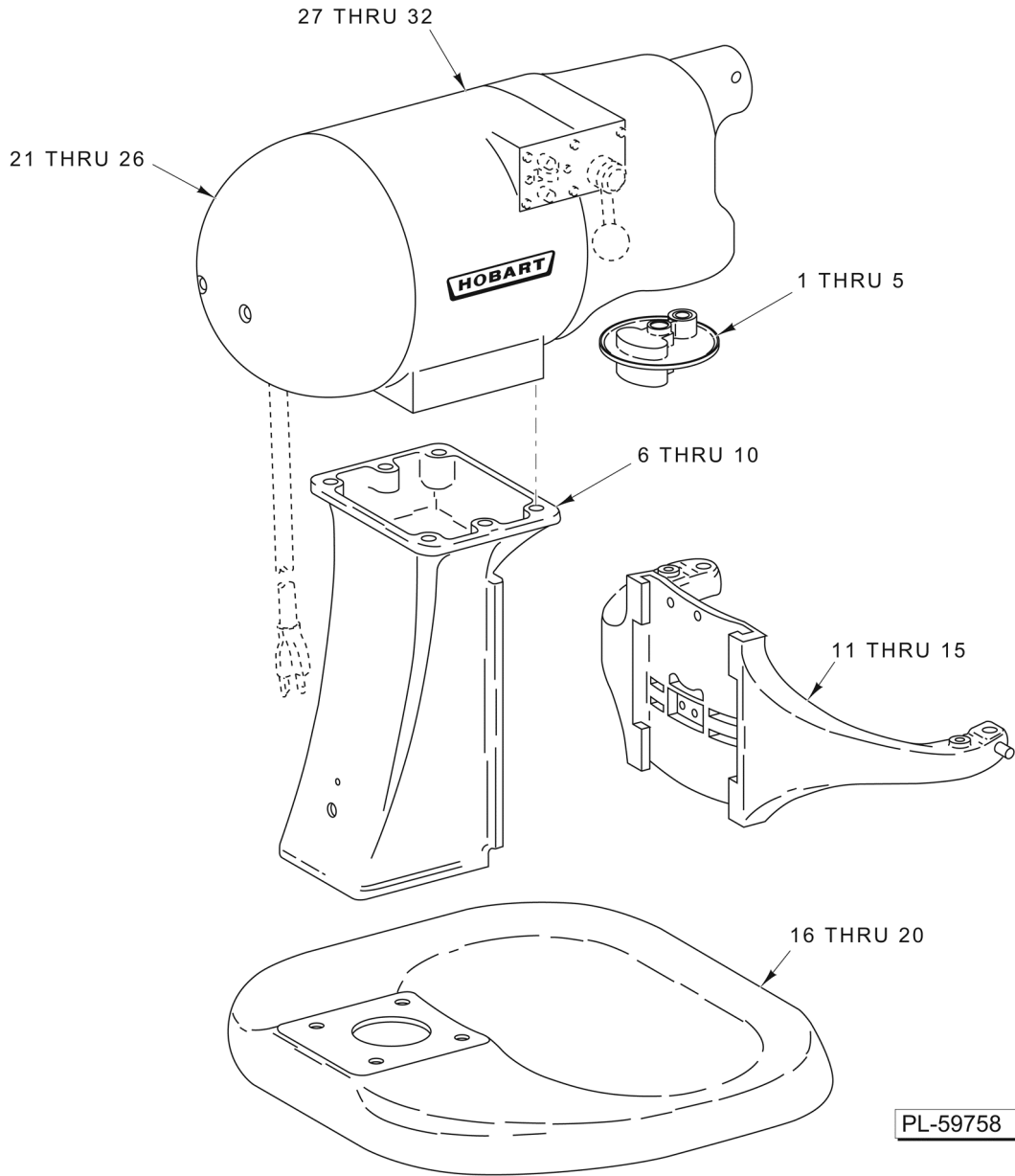


PL-59757

**SWITCH UNIT
(ML-134269, ML-134270, AND ML-134273)**

SWITCH UNIT
(ML-134269, ML-134270, AND ML-134273)

ILLUS. PL-59757	PART NO.	NAME OF PART	AMT.
1	00-077401	Knob - Shifter Handle.....	1
2	00-290196-00003	Shift Handle Assy. (Incls. Item 1).....	1
3	00-123109	Screw 6-32 x 3/8 Serrated Hd.....	6
4	SC-111-76	Mach. Screw 4-40 x 5/16 Phil. Pan Hd.....	2
5	WL-003-03	Lockwasher #4 Helical.....	2
6	NS-009-02	Nut 4-40 Hex.....	2
7	00-291980-00001	Control Box Plate Assy. (ML-134273).....	1
8	00-291980-00002	Control Box Plate Assy. (ML-134269).....	1
9	00-291980-00003	Control Box Plate Assy. (ML-134270).....	1
10	00-087711-184-1	Switch (Incls. Nut & Washer).....	1
11	00-291985	Insulator - Switch.....	1
12	00-009091	Screw - Cam Plate Retaining.....	2
13	WL-019-79	Lockwasher #12 Light.....	2
14	00-009062	Plate - Cam.....	1
15	RP-005-03	Rollpin 1/8 Dia. x 5/8 Lg.....	1
16	00-479548	Fork - Shifter.....	1
17	00-007433-00001	Spring.....	1
18	WS-004-47	Washer.....	1
19	PC-006-34	Cotter Pin 7/64 x 1.....	1
20	00-009059	Disc - Interlock.....	1
21	WL-011-20	Lockwasher #6 Internal Shakeproof (Used to Attach Leads to Switch).....	2
22	00-291982	Plunger - Interlock.....	1
23	00-291981	Bracket - Switch.....	1

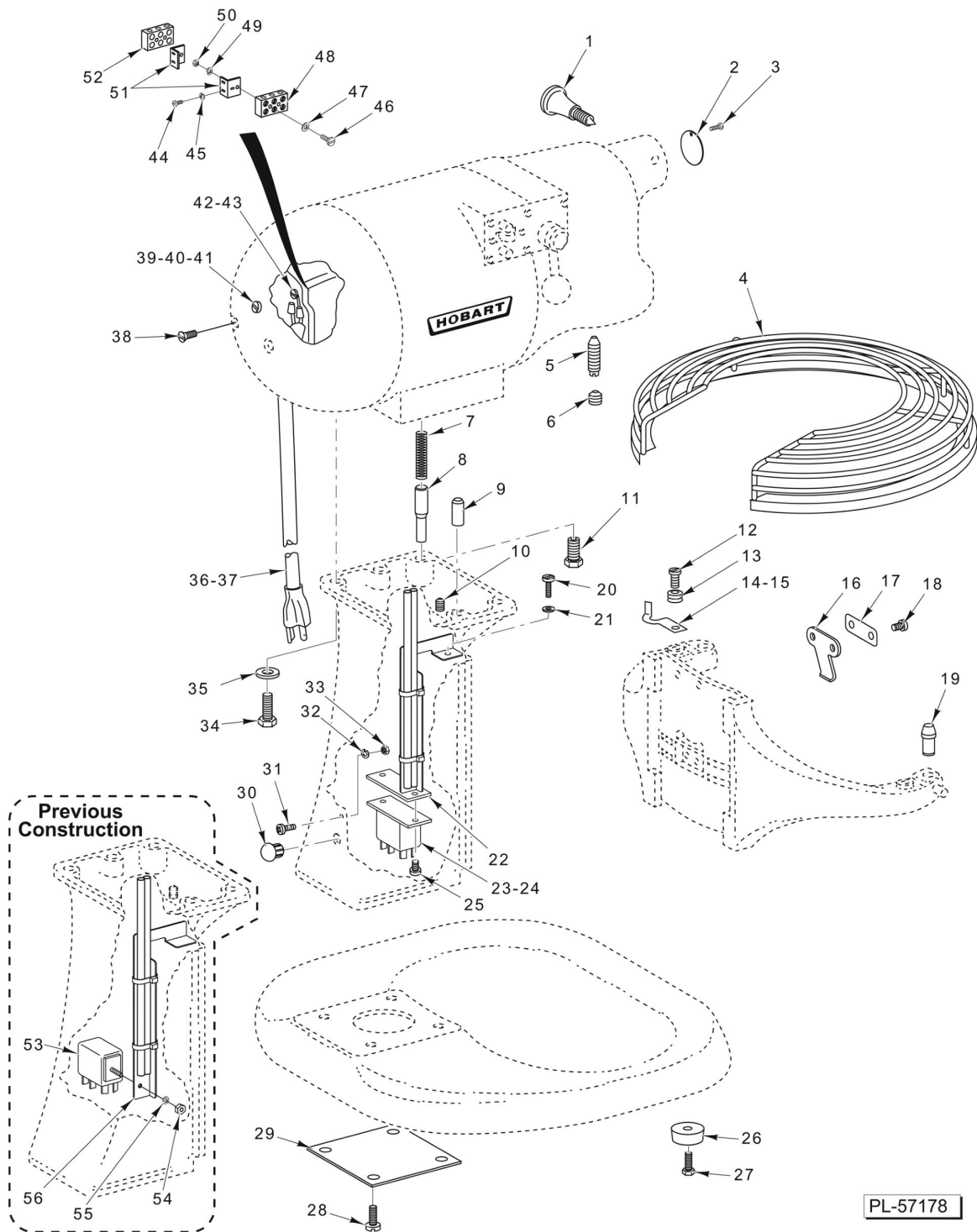


VARIOUS PAINTED PARTS

VARIOUS PAINTED PARTS

ILLUS. PL-59758	PART NO.	NAME OF PART	AMT.
1	00-477123-00002	Planetary Subassy. (Hobart Gray) (ML-134269, ML-134270, ML-134271, & ML-134273).....	1
2	00-477123-00003	Planetary Subassy. (Cherry Red).....	1
3	00-477123-00004	Planetary Subassy. (Berry Blue).....	1
4	00-477123-00005	Planetary Subassy. (Plum Black).....	1
5	00-477123-00006	Planetary Subassy. (Creamy White).....	1
*6	00-290357	Column (Hobart Gray) (ML-134269, ML-134270, ML-134271, & ML-134273).....	1
7	00-290357-00002	Column (Cherry Red).....	1
8	00-290357-00003	Column (Berry Blue).....	1
9	00-290357-00004	Column (Plum Black).....	1
10	00-290357-00005	Column (Creamy White).....	1
11	00-271551	Bowl Support (Hobart Gray) (ML-134269, ML-134270, ML-134271, & ML-134273).....	1
12	00-271551-00002	Bowl Support (Cherry Red).....	1
13	00-271551-00003	Bowl Support (Berry Blue).....	1
14	00-271551-00004	Bowl Support (Plum Black).....	1
15	00-271551-00005	Bowl Support (Creamy White).....	1
16	00-477061	Base & Foot Support Assy. (Hobart Gray) (ML-134269, ML-134270, ML-134271, & ML-134273).....	1
17	00-477061-00002	Base & Foot Support Assy. (Cherry Red).....	1
18	00-477061-00003	Base & Foot Support Assy. (Berry Blue).....	1
19	00-477061-00004	Base & Foot Support Assy. (Plum Black).....	1
20	00-477061-00005	Base & Foot Support Assy. (Creamy White).....	1
21	00-120433-00001	End Cover (Hobart Gray) (ML-134269, ML-134270, & ML-134273).....	1
22	00-120433-00005	End Cover (Hobart Gray) (ML-134271).....	1
23	00-120433-00006	End Cover (Cherry Red).....	1
24	00-120433-00007	End Cover (Berry Blue).....	1
25	00-120433-00008	End Cover (Plum Black).....	1
26	00-120433-00009	End Cover (Creamy White).....	1
27	00-439956-00002	Housing Assy. (Hobart Gray) (ML-134269, ML-134270, & ML-134273).....	1
28	00-439956-00003	Housing Assy. (Hobart Gray) (ML-134271).....	1
29	00-439956-00004	Housing Assy. (Cherry Red).....	1
30	00-439956-00005	Housing Assy. (Berry Blue).....	1
31	00-439956-00006	Housing Assy. (Plum Black).....	1
32	00-439956-00007	Housing Assy. (Creamy White).....	1
	SC-128-96	Mach. Screw 8-32 x 3/8 Phil. Truss Hd. (SST).....	1
	WL-003-12	Lockwasher #8 Helical.....	1
	NS-009-12	Nut 8-32 Hex.....	1
	PB-005-21	Plug - Button.....	1

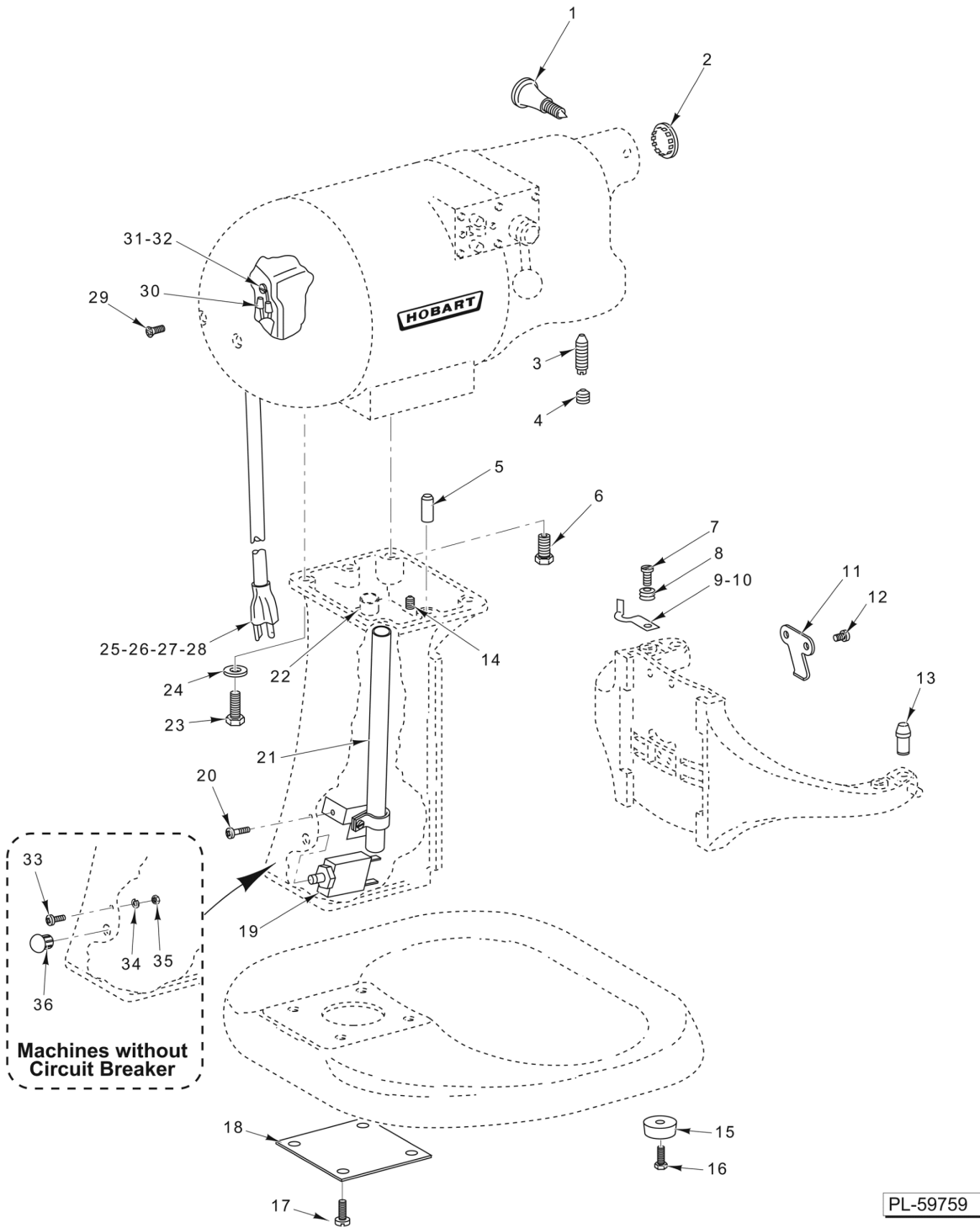
* For units without reset switch, use SC-128-96, WL-003-12, NS-009-12, & PB-005-21 to cover the holes.



COLUMN AND BASE UNIT (ML-134271)

COLUMN AND BASE UNIT (ML-134271)

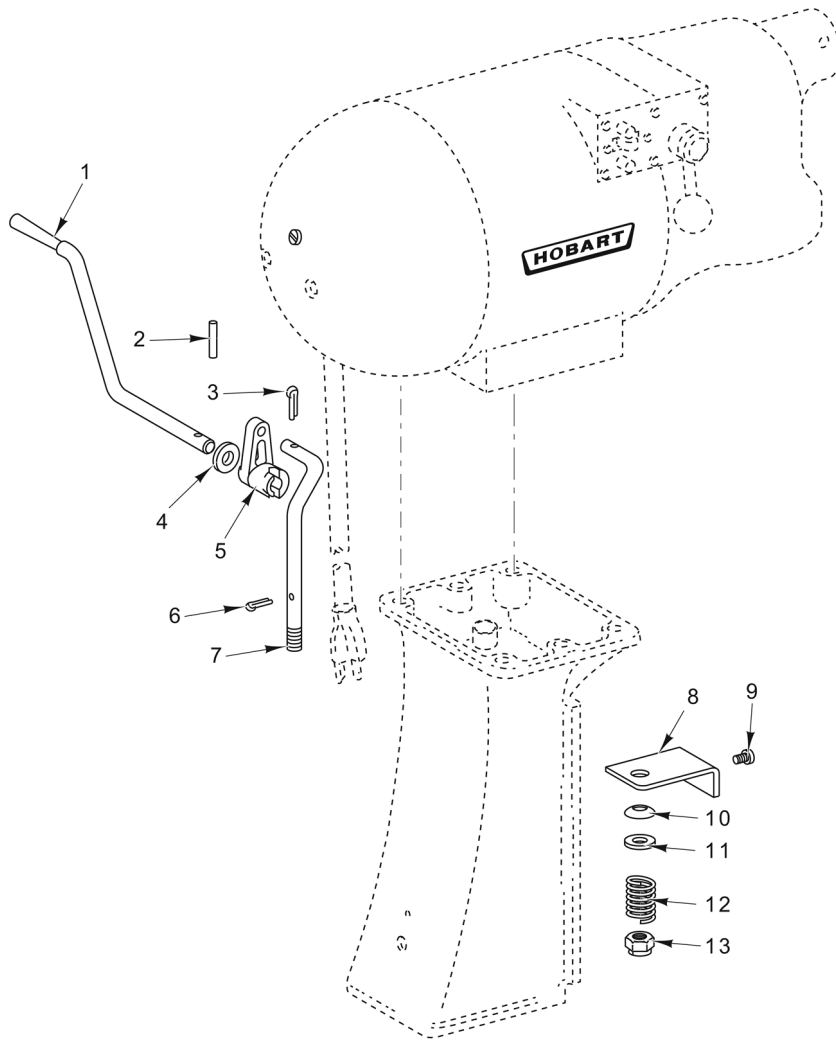
ILLUS. PL-57178	PART NO.	NAME OF PART	AMT.
1	00-016951-00004	Thumb Screw Assy.....	1
2	00-479059	Cover - Attachment Hub.....	1
3	00-479060-00002	Screw 8-32 x 3/8 Special Shoulder.....	1
4	00-478114	Bowl Guard.....	1
5	00-009094	Screw - Adjusting.....	1
6	SC-046-59	Set Screw 5/16-18 x 1/2 Hdls., Cup Pt.....	1
7	00-477884	Spring - Interlock Plunger.....	1
8	00-477879	Plunger - Interlock.....	1
9	00-011800-00215	Dowel.....	2
10	SC-124-12	Set Screw 1/4-28 x 1/2 Hdls., Cup Pt.....	1
11	00-477880	Bolt - Special.....	1
12	00-274614	Screw - Pivot.....	2
13	00-291263	Washer - Belleville.....	6
14	00-291444-00002	Clamp - Bowl (RH, Shown).....	1
15	00-291444-00001	Clamp - Bowl (LH).....	1
16	00-437161	Latch - Bowl Spring.....	1
17	00-477877	Key - Bowl Guard.....	1
18	SC-066-06	Mach. Screw 10-24 x 1/2 Phil. Truss Hd.....	2
19	00-271663	Bracket - Bowl Lift.....	1
20	SC-018-13	Mach. Screw 8-32 x 1/4 Pan Hd.....	1
21	WL-003-14	Lockwasher #8 Helical.....	1
22	00-937379	Relay - Bracket Assy. (Incls. Items 23, 24, & 25).....	1
23	00-087714-063-2	Relay.....	1
24	00-065890-00119	Terminal - Insulated (Used to Cover Unused Relay Terminals).....	2
25	SD-009-34	Self-Tapping Screw 6-32 x 3/8 Phil. Pan Hd., Type F.....	2
26	00-271650	Foot - Rubber.....	4
27	SD-008-43	Self-Tapping Screw 8-18 x 3/8 Phil. Rd. Hd., Type B.....	4
28	SC-100-12	Mach. Screw 5/16-18 x 3/4 Hex Flange Hd. "Whiz-Lock".....	4
29	00-078815	Screen - Air.....	1
30	PB-005-21	Plug - Button.....	1
31	SC-128-96	Mach. Screw 8-32 x 3/8 Phil. Truss Hd. (SST).....	1
32	WL-003-12	Lockwasher #8 Helical.....	1
33	NS-009-12	Nut 8-32 Hex.....	1
34	SC-037-75	Cap Screw 5/16-18 x 3/4 Hex Hd.....	3
35	WS-017-09	Washer.....	3
36	00-117542-00071	Cord & Plug Assy. (3 Cond., 115 V.).....	1
37	FE-024-78	Strain Relief (Use with Item 36).....	1
38	SC-128-93	Mach. Screw 8-32 x 1/2 Phil. Oval Hd.....	2
39	SC-018-29	Mach. Screw 6-32 x 3/8 Phil. Pan Hd.....	1
40	WL-014-03	Lockwasher #6 External.....	2
41	NS-011-07	Nut 6-32 Hex.....	2
42	SC-018-50	Mach. Screw 6-32 x 1/4 Slotted Pan Hd.....	1
43	WL-011-20	Lockwasher #6 Internal Shakeproof.....	1
44	SC-009-65	Mach. Screw 8-32 x 1/4 Slotted Rd. Hd.....	4
45	WL-003-12	Lockwasher #8 Helical.....	4
46	SC-018-51	Mach. Screw 4-40 x 5/8 Slotted Pan Hd.....	4
47	WS-029-24	Washer.....	4
48	00-478317-00003	Block - Terminal (4-5-6).....	1
49	WL-003-03	Lockwasher #4 Helical.....	4
50	NS-009-02	Nut 4-40 Hex.....	4
51	00-812449	Bracket - Terminal Mounting.....	2
52	00-478317-00002	Block - Terminal (1-2-3).....	1
53	00-087714-051-1	Relay (15 Amp.) (Previous Construction).....	1
54	NS-009-07	Nut 6-32 Hex (Previous Construction).....	1
55	WL-003-09	Lockwasher #6 Medium (Previous Construction).....	1
56	00-477883	Barrier - Wire (Previous Construction).....	1



**COLUMN AND BASE UNIT
(ML-134269, ML-134270, AND ML-134273)**

**COLUMN AND BASE UNIT
(ML-134269, ML-134270, AND ML-134273)**

ILLUS. PL-59759	PART NO.	NAME OF PART	AMT.
1	00-016951-00004	Thumb Screw Assy.....	1
2	PB-004-02	Plug Button (15/16).....	1
3	00-009094	Screw - Adjusting.....	1
4	SC-046-59	Set Screw 5/16-18 x 1/2 Hdls., Cup Pt.....	1
5	00-011800-00215	Dowel.....	2
6	00-477880-00002	Bolt - Special.....	1
7	00-274614	Screw - Pivot.....	2
8	00-291263	Washer - Belleville.....	6
9	00-291444-00002	Clamp - Bowl (RH, Shown).....	1
10	00-291444-00001	Clamp - Bowl (LH).....	1
11	00-437161	Latch - Bowl Spring.....	1
12	SC-128-95	Mach. Screw 10-24 x 1/4 Phil. Rd. Hd.....	2
13	00-271552	Pin - Bowl Retaining.....	2
14	SC-124-12	Set Screw 1/4-28 x 1/2 Hdls., Cup Pt.....	1
15	00-271650	Foot - Rubber.....	4
16	SD-008-43	Self-Tapping Screw 8-18 x 3/8 Phil. Rd. Hd., Type B.....	4
17	SC-100-12	Mach. Screw 5/16-18 x 3/4 Hex Flange Hd. "Whiz-Lock".....	4
18	00-078815	Screen - Air.....	1
19	00-101491-29-01	Circuit Breaker (ML-134269).....	1
20	SD-012-20	Self-Tapping Screw 8-32 x 1/2 Phil. Truss Hd., Type T (ML-134269).....	1
21	00-124936	Bracket & Insulator Assy (ML-134269).....	1
22	00-024670	Insulator - Fiber (ML-134269).....	1
23	SC-037-75	Cap Screw 5/16-18 x 3/4 Hex Hd.....	3
24	WS-017-09	Washer.....	3
25	00-117542-00026	Cord & Plug Assy. (3 Cond., 115 V.) (ML-134269).....	1
26	00-117542-00090	Cord & Plug Assy. (ML-134270).....	1
27	00-916909-00017	Cord & Plug Assy. (ML-134273).....	1
28	FE-017-41	Relief - Strain (Electrical) (Use with Items 25, 26, & 27).....	1
29	SC-128-93	Mach. Screw 8-32 x 1/2 Phil. Oval Hd.....	2
30	FE-006-17	Wire Nut (16-22 Ga.).....	2
31	SC-018-50	Mach. Screw 6-32 x 1/4 Slotted Pan Hd.....	1
32	WL-011-20	Lockwasher #6 Internal Shakeproof.....	1
33	SC-128-96	Mach. Screw 8-32 x 3/8 Phil. Truss Hd. (SST).....	1
34	WL-003-12	Lockwasher #8 Helical.....	1
35	NS-009-12	Nut 8-32 Hex.....	1
36	PB-005-21	Plug - Button.....	1

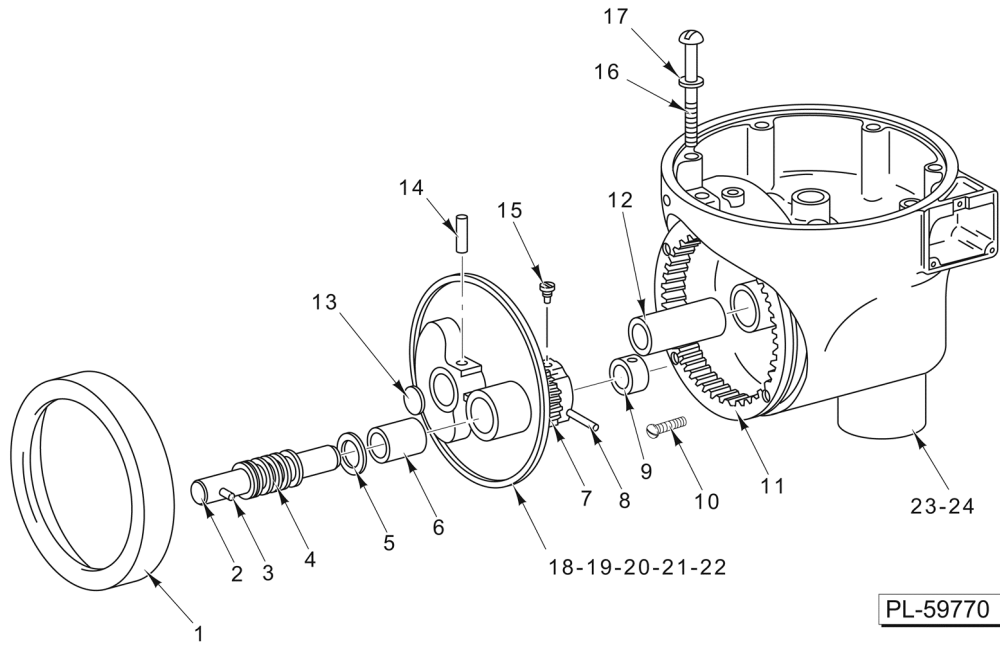


PL-59769

BOWL LIFT ARM AND BRACKET

BOWL LIFT ARM AND BRACKET

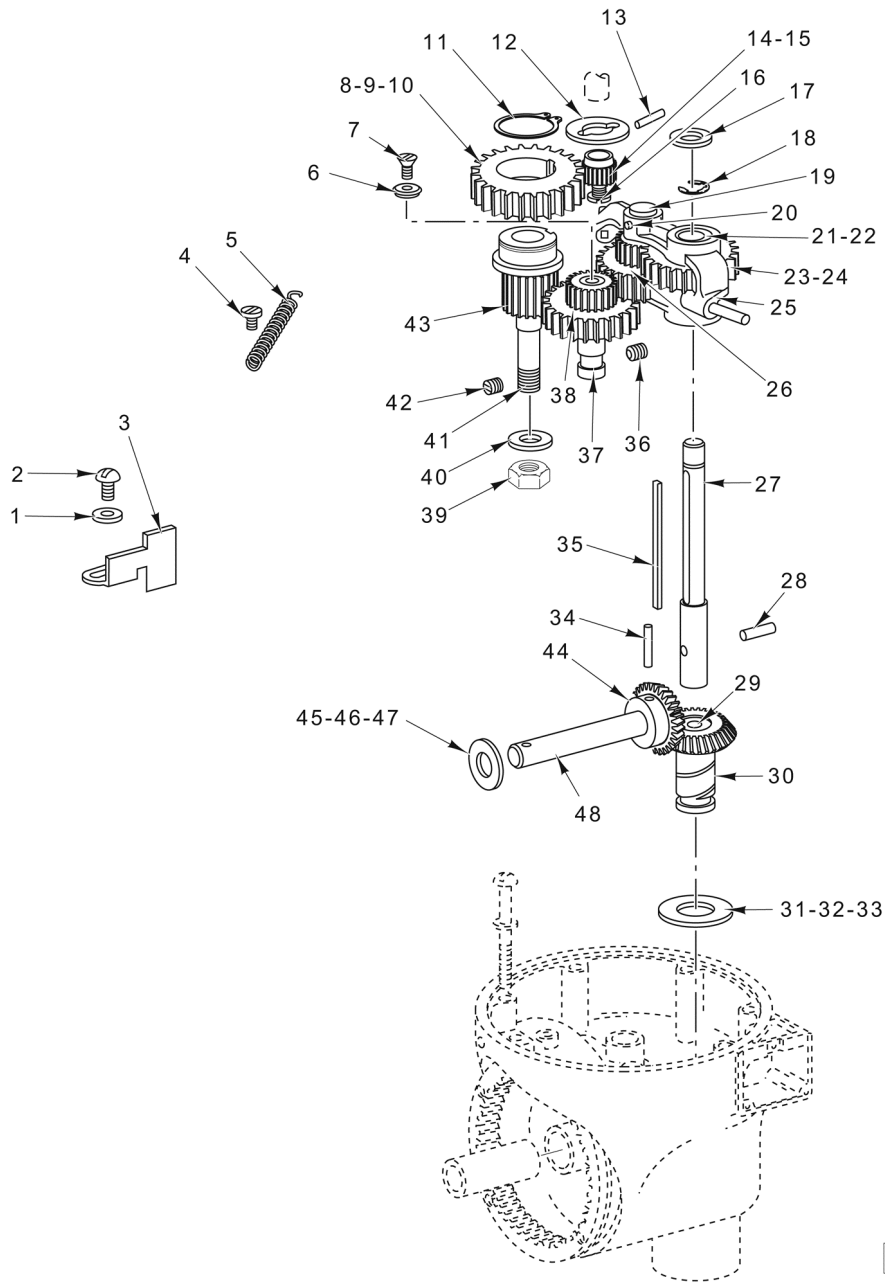
ILLUS.	PART NO.	NAME OF PART	AMT.
PL-59769			
1	00-437310	Handle - Bowl Lift.....	1
2	RP-002-10	Roll Pin 3/16 Dia. x 1 Lg.....	1
3	PC-006-33	Cotter Pin 3/32 x 1/2.....	1
4	00-875825	Spacer.....	1
5	00-937432	Arm - Bowl Lift.....	1
6	PC-006-33	Cotter Pin 3/32 x 1/2.....	1
7	00-271665	Rod - Bowl Lift.....	1
8	00-271663	Bracket - Bowl Lift.....	1
9	SC-128-97	Mach. Screw 10-24 x 1/2 Phil. Flat Hd.....	2
10	00-271662	V-Washer.....	1
11	WS-003-23	Washer.....	1
12	00-271667	Spring.....	1
13	NS-048-25	Stop Nut 1/4-28 Elastic.....	1



PLANETARY

PLANETARY

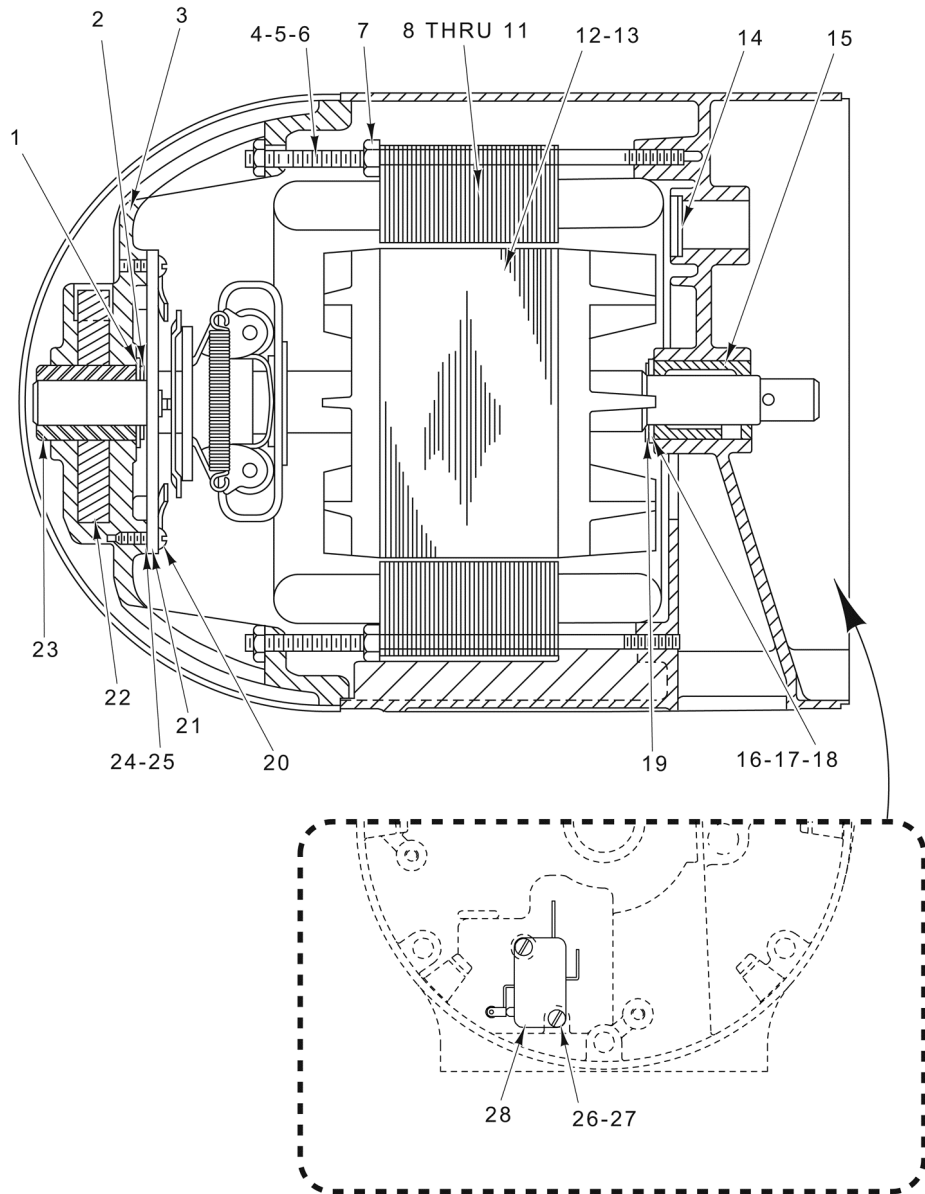
ILLUS. PL-59770	PART NO.	NAME OF PART	AMT.
1	00-021625-00003	Cup - Drip.....	1
2	00-061473	Agitator Shaft Assy. (Incls. Item 3).....	1
3	PG-006-11	Pin - Groove 1/4 x 5/8, Type D.....	1
4	00-270718	Spring - Agitator Shaft.....	1
5	WS-008-02	Washer.....	1
6	00-009038	Bearing - Planetary (Lower).....	1
7	00-274427	Pinion - Agitator Shaft (18T).....	1
8	00-274444-00001	Pin - Agitator Shaft.....	1
9	00-007595	Bearing - Planetary (Upper).....	1
10	SC-129-20	Mach. Screw 10-24 x 5/8 Hex Button Hd.....	4
11	00-005428	Gear - Internal (59T).....	1
12	00-009039	Bearing - Planetary Shaft.....	1
13	00-004378	Washer - Cupped.....	1
14	PT-003-29	Taper Pin - #1 x 1 In. Lg.....	1
15	00-007602	Screw - Bearing Retaining.....	1
16	SC-008-58	Mach. Screw 12-24 x 2-3/4 Slotted Rd. Hd.....	7
17	WS-002-30	Washer.....	7
18	00-274602	Planetary Assy. (Hobart Gray) (Incls. Items 2 thru 9, 13, & 15).....	1
19	00-274602-00002	Planetary Assy. (Cherry Red) (Incls. Items 2 thru 9, 13, & 15).....	1
20	00-274602-00003	Planetary Assy. (Berry Blue) (Incls. Items 2 thru 9, 13, & 15).....	1
21	00-274602-00004	Planetary Assy. (Plum Black) (Incls. Items 2 thru 9, 13, & 15).....	1
22	00-274602-00005	Planetary Assy. (Creamy White) (Incls. Items 2 thru 9, 13, & 15).....	1
23	00-290257	Trans. Case & Brg. Assy. (Incls. Items 10, 11, & 12) (All Except ML-134271).....	1
24	00-290257-00002	Trans. Case & Brg. Assy. (Incls. Items 10, 11, & 12) (ML-134271).....	1



TRANSMISSION

TRANSMISSION

ILLUS.	PART NO.	NAME OF PART	AMT.
PL-57176			
1	WS-003-07	Washer.....	1
2	SC-060-07	Mach. Screw 12-24 x 3/4 Rd. Hd.....	1
3	00-009090	Stop - Tumbler Yoke.....	1
4	SC-013-26	Mach. Screw 8-32 x 3/8 Flat Hd.....	1
5	00-010973	Spring - Tumbler Yoke.....	1
6	00-009042	Washer - Retaining.....	1
7	SC-128-97	Mach. Screw 10-24 x 1/2 Phil. Flat Hd.....	1
8	00-875769	Gear - Main Drive (49T) (60 Hz.).....	1
9	00-875794	Gear - Main Drive (47T) (50 Hz.).....	1
10	00-012730-00083	Key.....	1
11	RR-007-02	Retaining Ring.....	1
12	00-016747	Washer - Motor Pinion.....	1
13	00-016777	Pin.....	1
14	00-016759	Pinion - Motor (17T) (50 Hz.).....	1
15	00-009421	Pinion - Motor (15T) (60 Hz.).....	1
16	00-005247-00002	Screw - Pinion Retaining.....	1
17	WS-008-04	Washer.....	1
18	RR-004-25	Retaining Ring.....	1
19	00-009052	Shaft - Tumbler.....	1
20	PC-003-36	Cotter Pin 3/32 x 1 Lg.....	1
21	00-009050	Sleeve - Shifter.....	1
22	00-009051	Retainer - Shifter Sleeve.....	1
23	00-009048	Gear - Transmission (31T).....	1
24	00-012430-00022	Key.....	1
25	00-107342	Tumbler Yoke & Shifter Pin Assy.....	1
26	00-009047	Transmission Gear Assy. (15T & 31T).....	1
27	00-115148	Shaft - Transmission (Upper).....	1
28	00-011800-00187	Dowel.....	1
29	00-005462	Washer - Plug.....	1
30	00-104040-00002	Zerol Bevel Gear Assy. (23T) (Incls. Item 29).....	1
31	WS-012-12	Washer (0.008 Thk.).....	AR
32	WS-012-13	Washer (1/64 Thk.).....	AR
33	WS-012-14	Washer (1/32 Thk.).....	AR
34	PT-003-40	Taper Pin - #2 x 1 In. Lg.....	1
35	00-012430-00023	Key - Transmission Shaft (Upper).....	1
36	SC-046-27	Set Screw 1/4-20 x 1/4 Hdls., Cup Pt.....	1
37	00-009043	Shaft - Transmission (Lower).....	1
38	00-009047	Transmission Gear Assy. (15T & 31T).....	1
39	NS-013-22	Nut 3/8-16 Hex Fin.....	1
40	00-006021	Washer (Copper).....	1
41	00-009088	Shaft - Eccentric.....	1
42	SC-046-27	Set Screw 1/4-20 x 1/4 Hdls., Cup Pt.....	1
43	00-017864	Flange Ring & Hub Assy.....	1
44	00-020661-00002	Gear - Zerol Bevel (23T).....	1
45	00-124945	Washer (0.010 Thk.).....	AR
46	00-124946	Washer (1/32 Thk.).....	AR
47	00-124947	Washer (1/16 Thk.).....	AR
48	00-009040	Shaft - Planetary.....	1
	00-074676	Tumbler Yoke & Gear Assy. (Incls. Items 19 thru 26).....	1

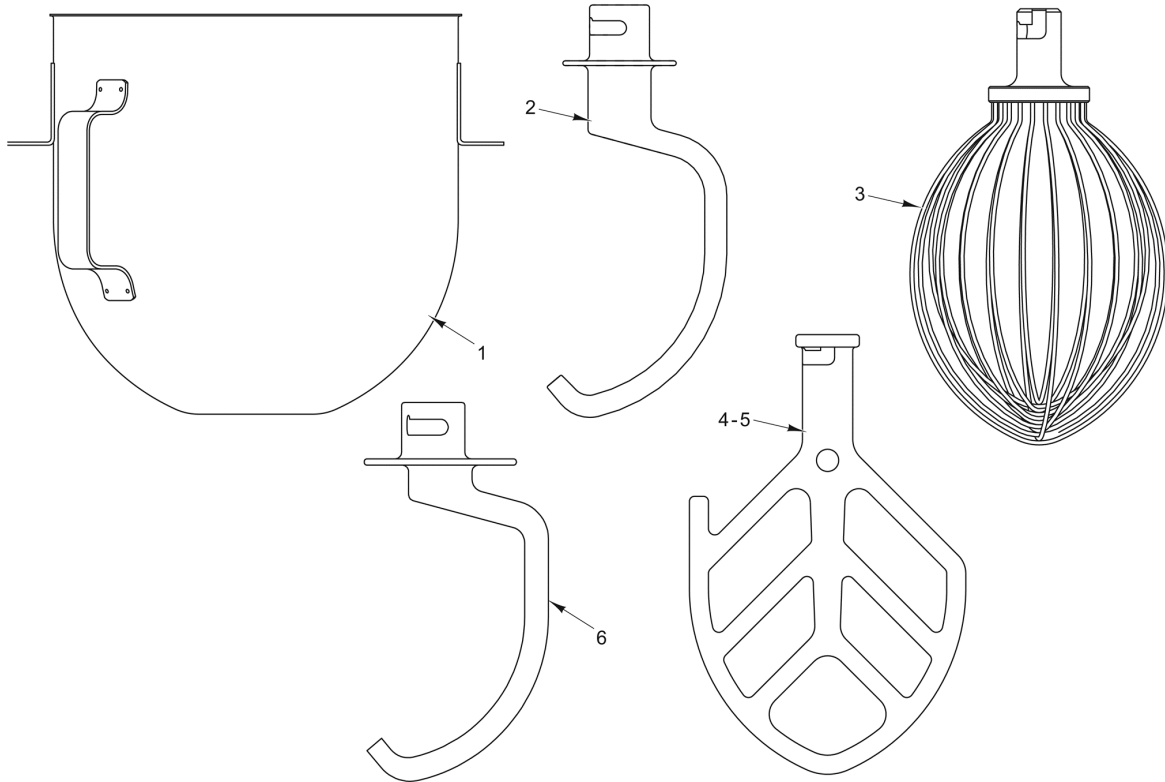


PL-57177

MOTOR PARTS

MOTOR PARTS

ILLUS.	PART NO.	NAME OF PART	AMT.
PL-57177			
1	WS-007-21	Washer (0.031 Thk.).....	AR
2	WS-007-19	Washer.....	AR
3	00-812450	Bracket - Motor Bearing.....	1
4	00-022216-00002	Stud.....	4
5	00-023383-00014	Sleeve (Elec. Leads Protection) (60 Hz.).....	4
6	00-023383-00018	Sleeve (Elec. Leads Protection) (50 Hz.).....	4
7	NS-009-12	Nut 8-32 Hex.....	8
8	00-065477-008-1	Stator Assy. (115 V., 60 Hz., 1 Ph.).....	1
9	00-065477-008-2	Stator Assy. (230 V., 60 Hz., 1 Ph.).....	1
10	00-065477-028-1	Stator Assy. (115 V., 50 Hz., 1 Ph.).....	1
11	00-065477-028-4	Stator Assy. (230 V., 50 Hz., 1 Ph.).....	1
12	00-022275-00149	Rotor Assy. (60 Hz.).....	1
13	00-022275-00148	Rotor Assy. (50 Hz.).....	1
14	00-004378	Washer - Cupped.....	1
15	00-290659	Bearing - Sleeve (Pulley End).....	1
16	WS-007-21	Washer (0.031 Thk.).....	AR
17	WS-031-50	Washer (0.015 Thk.).....	AR
18	SL-005-10	Spring - Loading.....	1
19	WS-007-19	Washer.....	AR
20	SC-018-28	Mach. Screw 6-32 x 1/4 Phil. Pan Hd.....	2
21	00-066085	Switch - Starting (Stationary Part).....	1
22	00-511813	Wicking 5/16 Dia. x 1/2 In. Lg.....	AR
23	00-290659	Bearing - Sleeve.....	1
24	00-069563	Insulator - Back Plate (ML-134271).....	1
25	00-477881	Insulator - Switch (ML-134271).....	1
26	SD-033-01	Self-Tapping Screw 4-40 x 1/4 Phil. Pan Hd., Type T (ML-134271).....	2
27	SD-038-46	Self-Tapping Screw 4-40 x 5/8 Phil. Pan Hd., Type T (ML-134271).....	2
28	00-087711-201-2	Switch (ML-134271).....	1



PL-59760

BOWL AND AGITATOR UNIT

BOWL AND AGITATOR UNIT

ILLUS.	PART NO.	NAME OF PART	AMT.
PL-59760			
1	00-295576	Bowl - 5 Qt. (SST).....	1
2	00-315966	"E" Dough Arm.....	1
3	00-295580	"D" Wire Whip.....	1
4	00-295578	"B" Flat Beater (Aluminum).....	1
5	00-295579	"B" Flat Beater (SST).....	1
6	00-875822	"ED" Dough Arm.....	1

