



CATALOG OF REPLACEMENT PARTS

OVENS

MN90

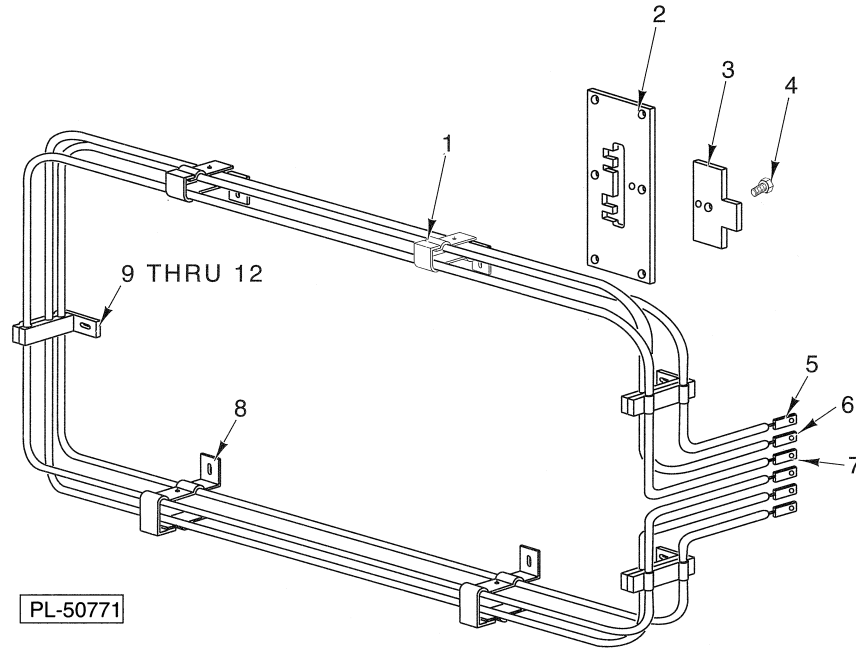
ML-43680
ML-43682

ML-43681
ML-43683

MN91

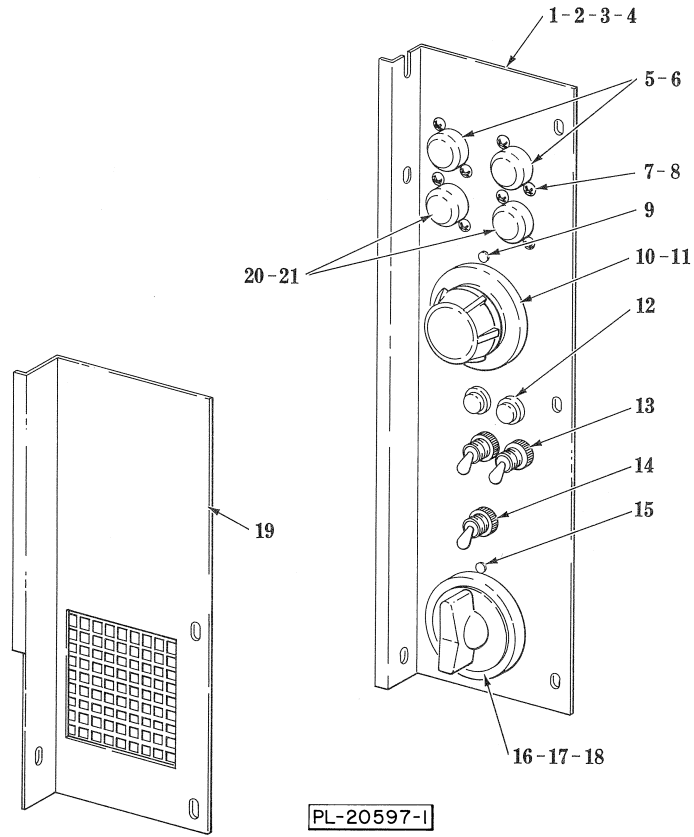
ML-43684
ML-43686

ML-43685
ML-43687



HEATING UNIT

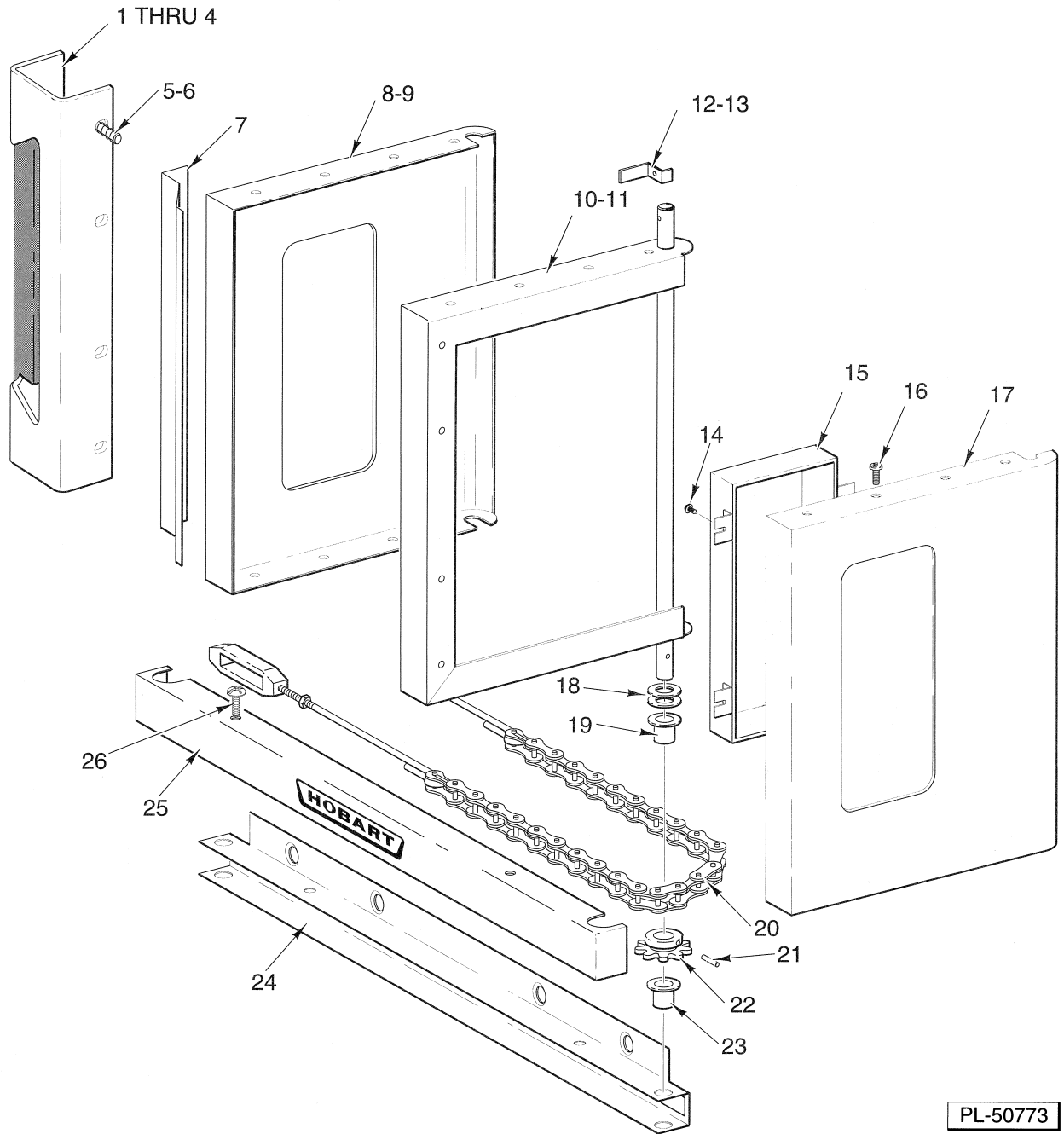
ILLUS. PL-50771	PART NO.	NAME OF PART	AMT.
1	344861-1	Clamp	7
2	344862-1	Plate	1
3	344863-1	Plate-Seal (480 V.)	1
4	SD-34-62	Self-Tapping Screw 10-32 x 1/2 Hex Washer Hd., Type T	1
5	351376-3	Heating Unit - Third 480 V.	1
6	351376-1	Heating Unit - Middle 480 V.	1
7	351376-2	Heating Unit - First 480 V.	1
8	344859-1	Clamp	4
9	344860-1	Clamp	3
10	SC-114-62	Mach. Screw 10-32 x 1 1/4 Hex Hd.	7
11	344858-1	Spacer	7
12	NS-46-88	Nut Assy. 10-32 "Keps" Hex	7
	344865-1	Heating Unit Assy. 480 V. (Incls.items 1 thru 12)	1



CONTROL PANEL UNIT

CONTROL PANEL UNIT

ILLUS. PL-20597-1	PART NO.	NAME OF PART	AMT.
1	345501-2	Panel - Control (480 V.)(2 Speed Motor)(1 Hr. Timer)	1
2	345501-1	Panel - Control (480 V.)(2 Speed Motor)(5 Hr. Timer)	1
3	345502-2	Panel - Control (480 V.)(1 Speed Motor)(1 Hr. Timer)	1
4	345502-1	Panel - Control (480 V.)(1 Speed Motor)(5 Hr. Timer)	1
5	344138-2	Fuse - Holder	2
6	FE-19-40	Fuse (15 Amp.,300 V.)	2
7	SC-114-27	Mach. Screw 8-32 x 1/2 Phil. Pan Hd.	8
8	NS-46-51	Nut Assy. 8-32 Hex	8
9	350789-1	Button - Indicator	1
10	345517-1	Thermostat	1
11	350545-29	Dial & Knob Assy.(Thermostat)	1
12	241599-4	Light - Indicator	2
13	340324-6	Switch (D.P.S.T.)(480 V.)	2
14	340324-9	Switch (D.P.D.T.)(480 V.)(2 Speed Mtr.)	1
15	350789-1	Button - Indicator	1
16	340287-1	Timer (1 Hr.)	1
17	350545-23	Timer Knob Assy.(1 Hr. Timer)	1
18	343521-1	Timer (5 Hr.)(Includes Timer Knob)	1
19	345524-2	Panel - Control Assy.(Lower)	1
20	344138-4	Fuse Holder	2
21	FE-23-6	Fuse (15 Amp.,600 V.)	2
	345520-1	Cap - Plug (Natural)(4 Circuits)	1
	345520-2	Plug - Cap (Natural)(12 Circuits)	1
	345522-1	Lead Set (1 Speed Motor)	1
	345522-2	Lead Set (2 Speed Motor)	1

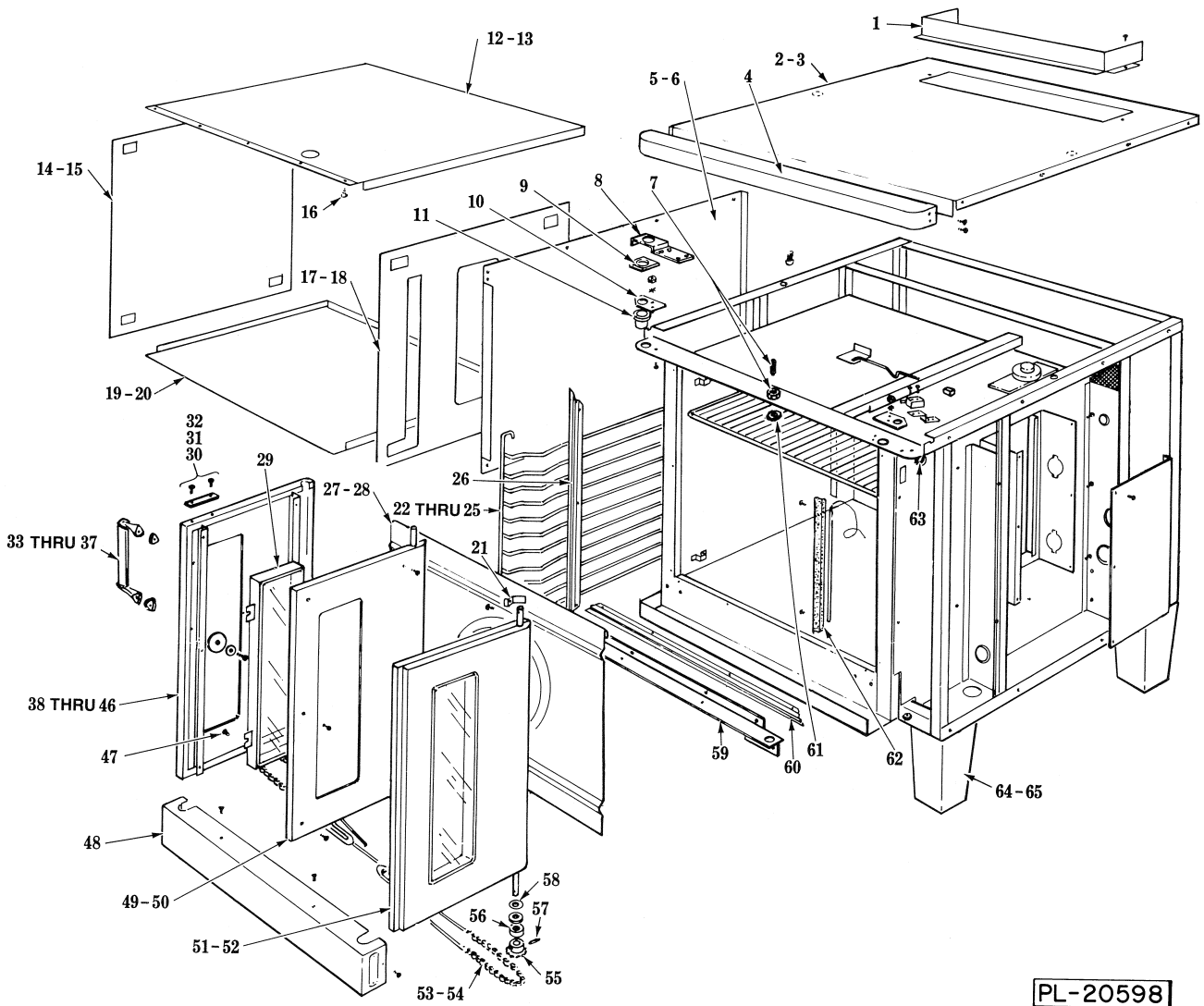


PL-50773

**DOOR
(NEW STYLE)**

**DOOR
(NEW STYLE)**

ILLUS. PL-50773	PART NO.	NAME OF PART	AMT.
1	356562-1	Handle - Door	1
2	356563-1	Grip - Front	1
3	356563-2	Grip - Rear	1
4	SC-113-98	Mach. Screw 10-32 x 5/16 Hex Washer Hd.	3
5	SC-41-1	Cap Screw 1/4-20 x 3/4 Hex Hd	4
6	WL-19-37	Lockwasher 1/4 Int.	4
7	356550-1	Latch - Friction	1
8	356552-3	Door - Outer (R.H.)(W/Window)	1
9	356554-3	Shell - Outer Door (L.H.)(W/Window)	1
10	356556-1	Frame Assy. - Door (R.H.)	1
11	356557-1	Frame Assy. - Door (L.H.)	1
12	356253-1	Lever - Door Switch	1
13	SD-34-52	Self-Tapping Screw 8-32 x 1 Hex Washer Hd., Type T	1
14	SD-34-62	Self-Tapping Screw 10-32 x 1/2 Hex Washer Hd., Type T	8
15	355727-1	Window Assy.	2
16	SC-118-62	Mach. Screw 10-32 x 5/16 Phil. Pan Hd.	8
17	356560-1	Shell - Inner Door (W/Window)	1
18	343143-1	Washer	4
19	347080-2	Bearing - Door Shaft	4
20	343608-2	Door Chain & Turnbuckle Assy.	2
21	PS-4-11	Spirol Pin 3/16 x 1 1/4	2
22	342166-1	Sprocket - Door Shaft	2
23	347080-2	Bearing - Door Shaft	4
24	355742-1	Channel - Bottom Seal	1
25	343515-1	Front Cover - Door Sill	1
26	SD-34-59	Self-Tapping Screw 10-32 x 3/8 Phil. Pan Hd., Type T	2
	SC-47-28	Set Screw (Use with item 22)	2
	352667-1	Door Stop Cable Assy.(Use with item 20)	AR
	355743-3	Door Assy.(R.H.)(W/Window)(Incls.items 8,10 & 14 thru 17)	1
	355744-3	Door Assy.(L.H.)(W/Window)(Incls.items 9,11 & 14 thru 17)	1

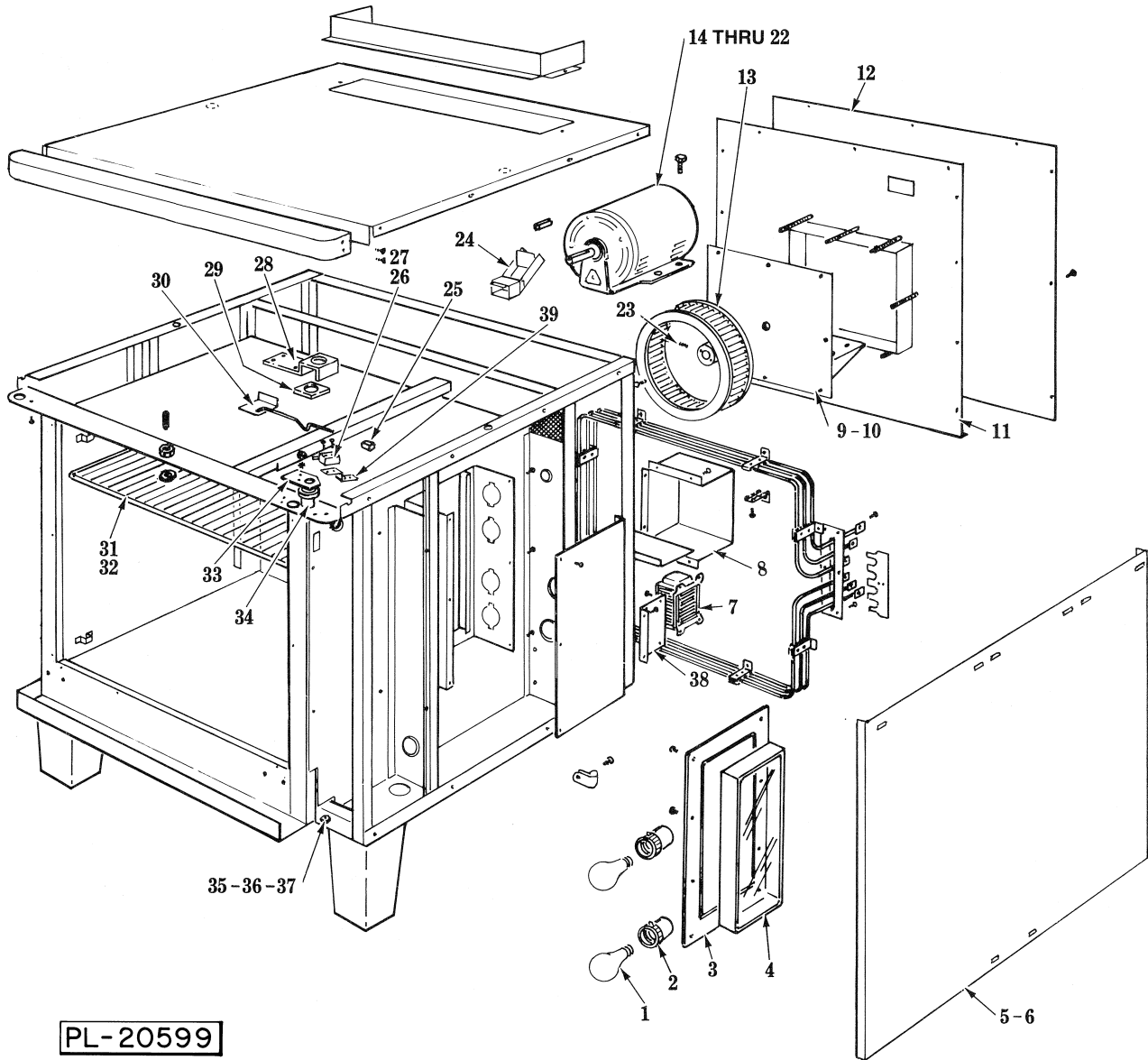


PL-20598

OVEN UNIT

OVEN UNIT

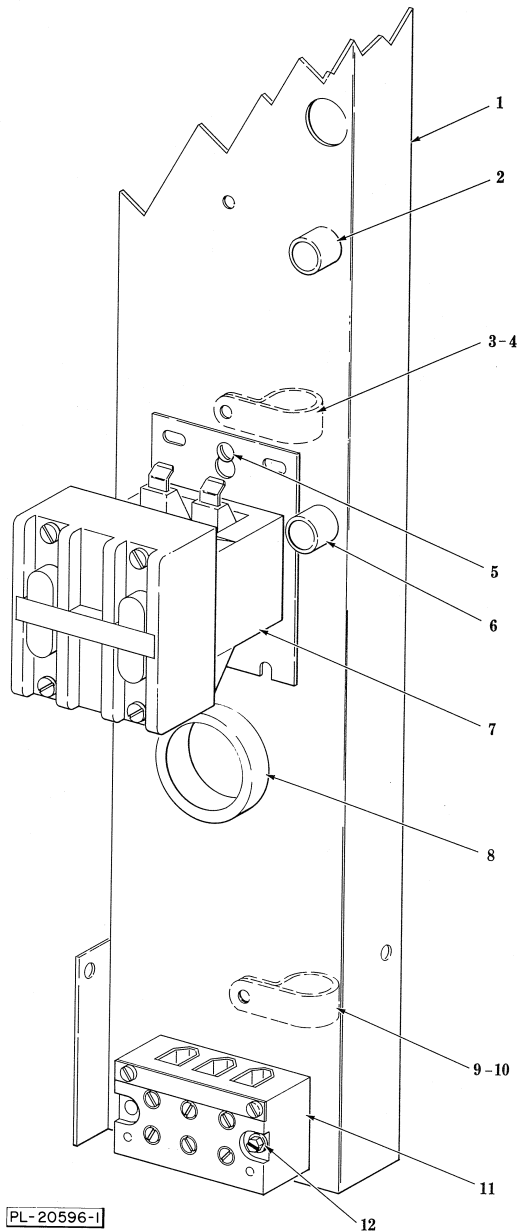
ILLUS. PL-20598	PART NO.	NAME OF PART	AMT.
1	343516-2	Shell - Chimney (SST)	1
2	343508-2	Top - Rear (SST)(MN90)	1
3	343508-4	Top - Rear (SST)(MN91)	1
4	343501-1	Top - Front	1
5	342201-2	Panel - Outer (L.H.)(SST)(MN90)	1
6	342201-4	Panel - Outer (L.H.)(SST)(MN91)	1
7	347545-1	Door Catch Assy.	1
8	353484-1	Plate - Retainer	1
9	353482-1	Spacer	1
10	353483-1	Plate - Upper Door Bearing	2
11	347080-2	Bearing - Door Shaft	1
12	342597-2	Panel - Top (SST)(MN90)	1
13	342597-4	Panel - Top (SST)(MN91)	1
14	342595-2	Panel - (L.H.)(SST)(MN90)	1
15	342595-4	Panel - (L.H.)(SST)(MN91)	1
16	SD-34-21	Self-Tapping Screw 10-16 x 1/2 Sl. Hex Washer Hd., Type AB	5
17	342596-2	Panel - (R.H.)(SST)(MN90)	1
18	342596-4	Panel - (R.H.)(SST)(MN91)	1
19	342598-2	Panel - Bottom (SST)(MN90)	1
20	342598-4	Panel - Bottom (SST)(MN91)	1
21	356253-1	Lever - Door Switch	1
22	342141-1	Rack - Support (L.H.)(MN90)	1
23	342141-2	Rack - Support (R.H.)(MN90)	1
24	342141-3	Rack - Support (L.H.)(MN91)	1
25	342141-4	Rack - Support (R.H.)(MN91)	1
26	342155-1	Gasket - Door (20 Long)(L/R)	2
27	342601-2	Blower Baffle (Aluminum Steel)	1
28	346833-1	Panel - Blower Baffle (SST)	1
29	355727-1	Window Assy.	2
30	347546-1	Strike - Door	1
31	347577-1	Shim	1
32	SC-114-17	Mach. Screw 10-32 x 3/4 Phil. Pan Hd.	2
33	347608-1	Door Handle (W/Window)	1
34	SC-114-29	Mach. Screw 1/4-20 x 3/8 Phil. Pan Hd.	2
35	347711-1	Grip	1
36	WS-29-45	Washer	2
37	SC-114-10	Mach. Screw 8-32 x 1/4 Phil. Pan Hd.	2
38	342125-5	Door - Front (L.H.)(SST)	1
39	342125-2	Door - Front (R.H.) (SST)	1
40	343586-1	Latch - Door	1
41	SD-34-15	Self-Tapping Screw 8-18 x 3/8 Rd. Hd., Type AB	4
42	343690-1	Latch - Plate	1
43	SC-114-3	Mach. Screw 10-32 x 1/2 Hex Washer Hd.	2
44	NS-46-88	Nut Assy. 10-32 "Keps" Hex	2
45	WL-19-21	Lockwasher 10 Ext	2
46	345714-1	Insulator	1
47	SD-34-62	Self-Tapping Screw 10-32 x 1/2 Hex Washer Hd., Type T	8
48	343515-1	Front Cover - Door Sill	1
49	342124-1	Door - Inner (L.H.)(SST)(W/Window)	1
50	342124-2	Door - Inner (R.H.)(SST)(W/Window)	1
51	342235-1	(L.H.) Door Assy.(SST)(W/Window)(Incls.items 29,33 thru 38 ,47 & 49)	1
52	342235-2	(R.H.) Door Assy.(SST)(W/Window)(Incls.items 29,39,47 & 50)	1
53	343608-2	Door Chain & Turnbuckle Assy.	2
54	352667-1	Cable - Door Stop	1
55	342166-1	Sprocket - Door Shaft	2
56	347080-2	Bearing - Door Shaft	2
57	PS-4-11	Spirol Pin 3/16 x 1 1/4	2
58	343143-1	Washer	4
59	342137-1	Door Sill Assy.	1
60	342155-2	Gasket - Door (29 Long)	2
61	348040-1	Spacer	1
62	342132-2	Guard - Thermostat Bulb	1
63	342154-2	Plug - Thermostat	1
64	342410-2	Leg (8")	AR
65	342410-1	Leg (27")	AR



OVEN UNIT

OVEN UNIT

ILLUS. PL-20599	PART NO.	NAME OF PART	AMT.
1	342766-1	Light Bulb - Oven (40 Watts)(120 V.)	2
2	340263-1	Socket - Oven Light	2
3	343611-2	Trim - Window	1
4	355727-2	Window - Oven Light	1
5	354547-2	Panel - Outer (R.H.)(SST)(MN90)	1
6	354547-4	Panel - Outer (R.H.)(SST)(MN91)	1
7	354630-1	Transformer (480 V.)	1
8	345525-1	Partition Unit	1
9	343514-1	Motor Mount	1
10	345523-1	Baffle - Motor	1
11	342196-1	Back - Inner Panel	1
12	342199-1	Panel - Back (PTD)	1
13	342143-1	Blower	1
14	345201-1	Motor 1/3 H.P. (1 Speed)	1
15	342146-5	Motor 1/3 H.P. (2 Speed)(230 V.)	1
16	346217-1	Washer - Motor Mounting	8
17	SC-113-65	Cap Screw 5/16-18 x 1 1/4 Hex Hd.	4
18	WS-29-46	Washer	8
19	NS-46-86	Nut Assy. 5/16-18 "KEPS" Hex	4
20	342151-1	Conduit	1
21	342046-1	Adapter - Conduit	2
22	342285-1	Bushing - Plastic	2
23	SC-113-53	Set Screw 5/16-24 x 3/8 Soc. Hdls	2
24	343599-1	Vent Extension - Short	1
25	341564-3	Knob - Vent	1
26	342147-1	Switch - Door	1
27	343612-1	Housing - Receptacle	1
28	353484-1	Plate - Retainer	1
29	353482-1	Spacer	1
30	343499-1	Side & Rod (Vent)	1
31	342142-1	Rack Assy.(MN90)	1
32	342142-2	Rack Assy.(MN91)	1
33	353483-1	Plate - Upper Door Bearing	1
34	347080-2	Bearing - Door Shaft	1
35	345186-1	Screw - Ground	1
36	345504-1	Terminal Block	1
37	350700-2	Lug - Terminal	1
38	342326-1	Bracket Plate - Transformer Mounting (480 V)	1
39	343509-1	Bracket - Door Switch	1



**ELECTRICAL COMPONENT
PANEL UNIT**

ILLUS. PL-20596-1	PART NO.	NAME OF PART	AMT.
	1	Panel - Component	1
	2	Bushing - Electrical Heyco 2073	1
	3	Clamp Wire	1
	4	Self-Tapping Screw 10-32 x 1/2 Hex Washer Hd., Type T	1
	5	Self-Tapping Screw 10-32 x 1/2 Slot. Rd. Hd., Type T	2
	6	Bushing - Electrical Heyco 2073	1
	7	Contactor (30 Amp.)(4 Pole)	1
	8	Bushing	1
	9	Clamp Wire	1
	10	Self-Tapping Screw 10-32 x 1/2 Hex Washer Hd., Type T	1
	11	Terminal Block (480 V.)(Use with item 1)	1
	12	Lead Set (480 V.)	2
		Lead Set (480 V.)	1
		Plug (Natural)(4 Circuits)	1
		Plug (Natural)(12 Circuits)	1