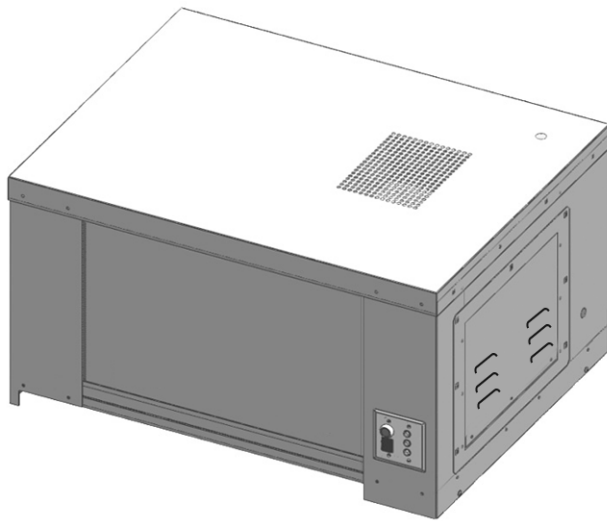




CATALOG OF REPLACEMENT PARTS

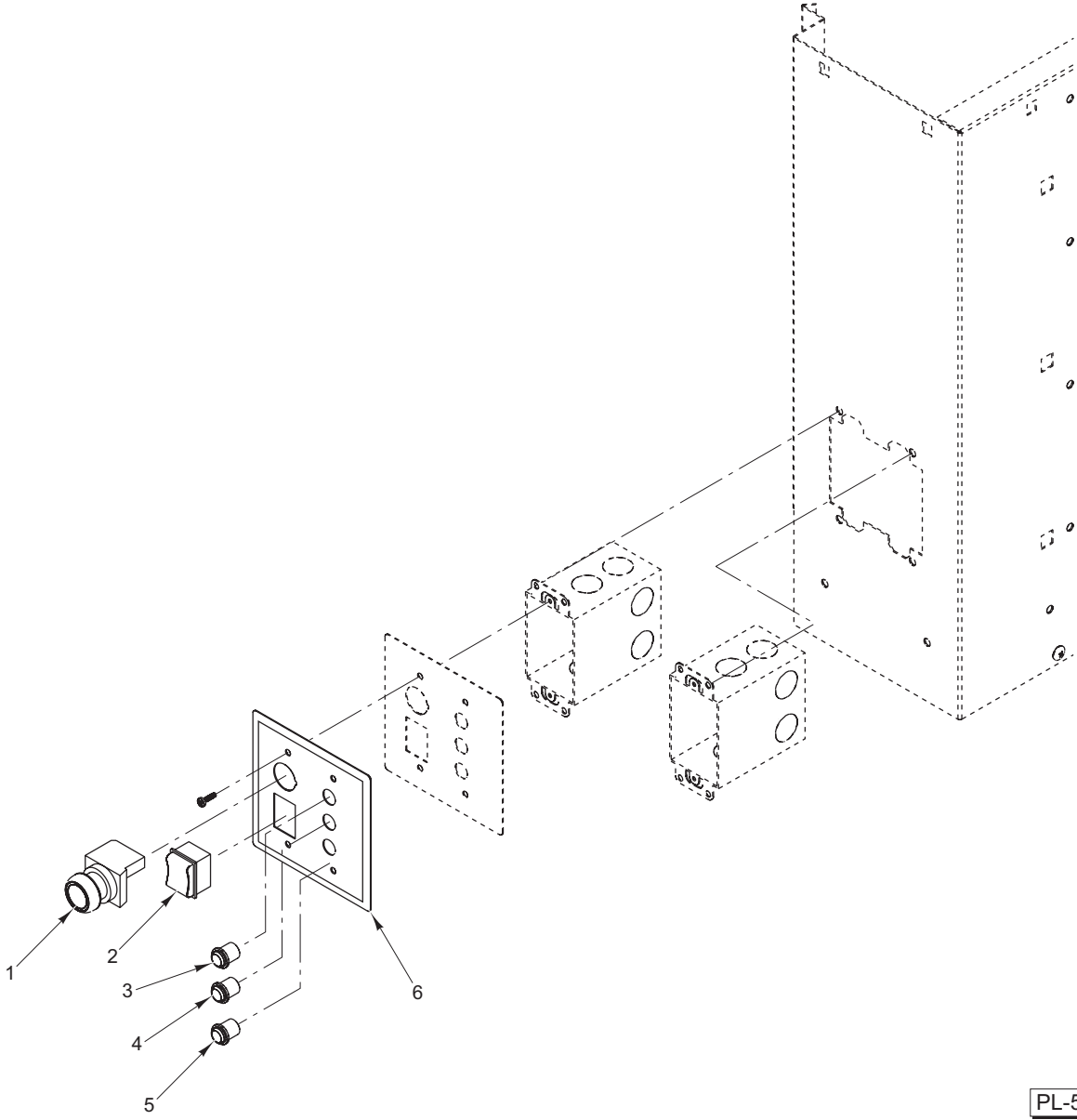


KA7EVH VENTLESS HOOD

ML-137712

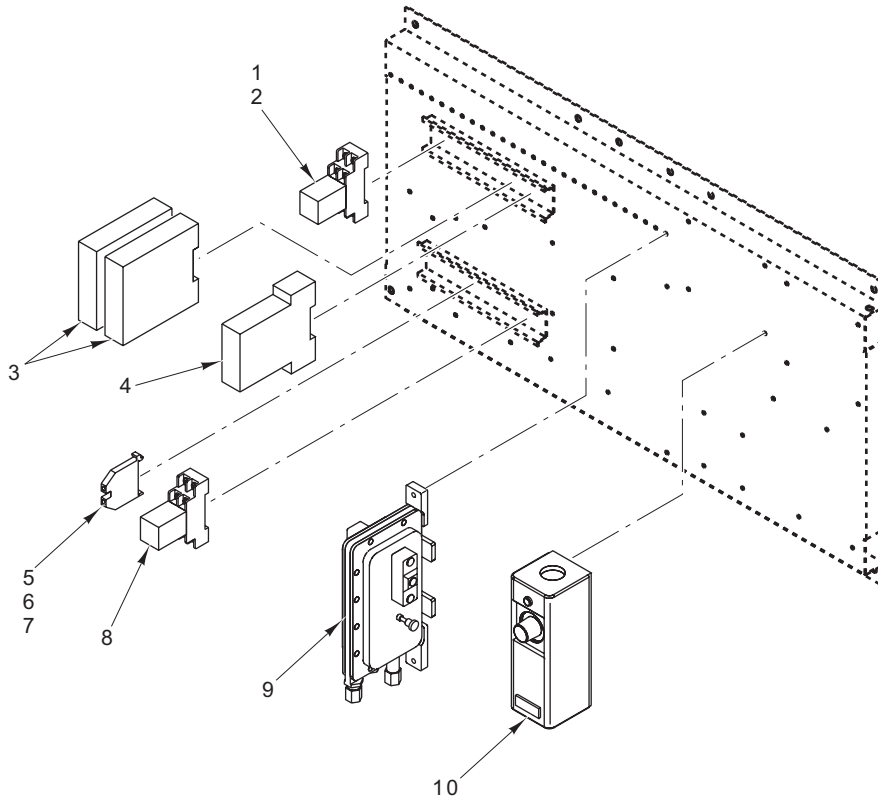
TABLE OF CONTENTS

4	SWITCH ASSEMBLY
5	ELECTRICAL COMPONENTS
7	MOTOR AND HOUSING
8	SIDE PANELS FOR TOP UNIT WITH HOOD



SWITCH ASSEMBLY

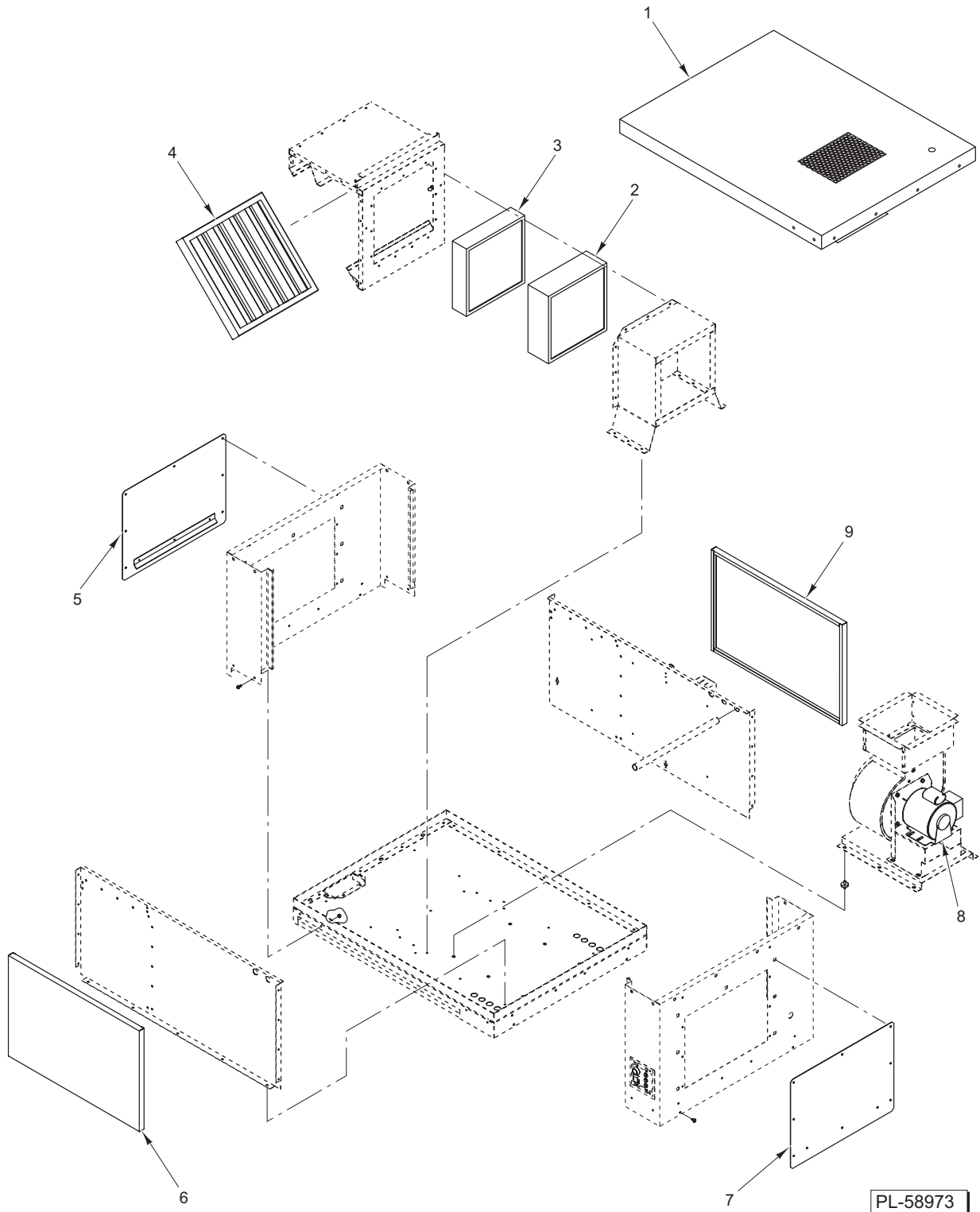
ILLUS.	PART NO.	NAME OF PART	AMT.
1	00-877725	Button – Air Flow Reset	1
2	00-877729	Switch – Auto On/Off.....	1
3	00-877722	Light – Power On (Green).....	1
4	00-877723	Light – Air Flow (Amber)	1
5	00-877724	Light – High Temperature Limit (Red).....	1
6	00-877742	Cover – Switch.....	1



PL-58974

ELECTRICAL COMPONENTS

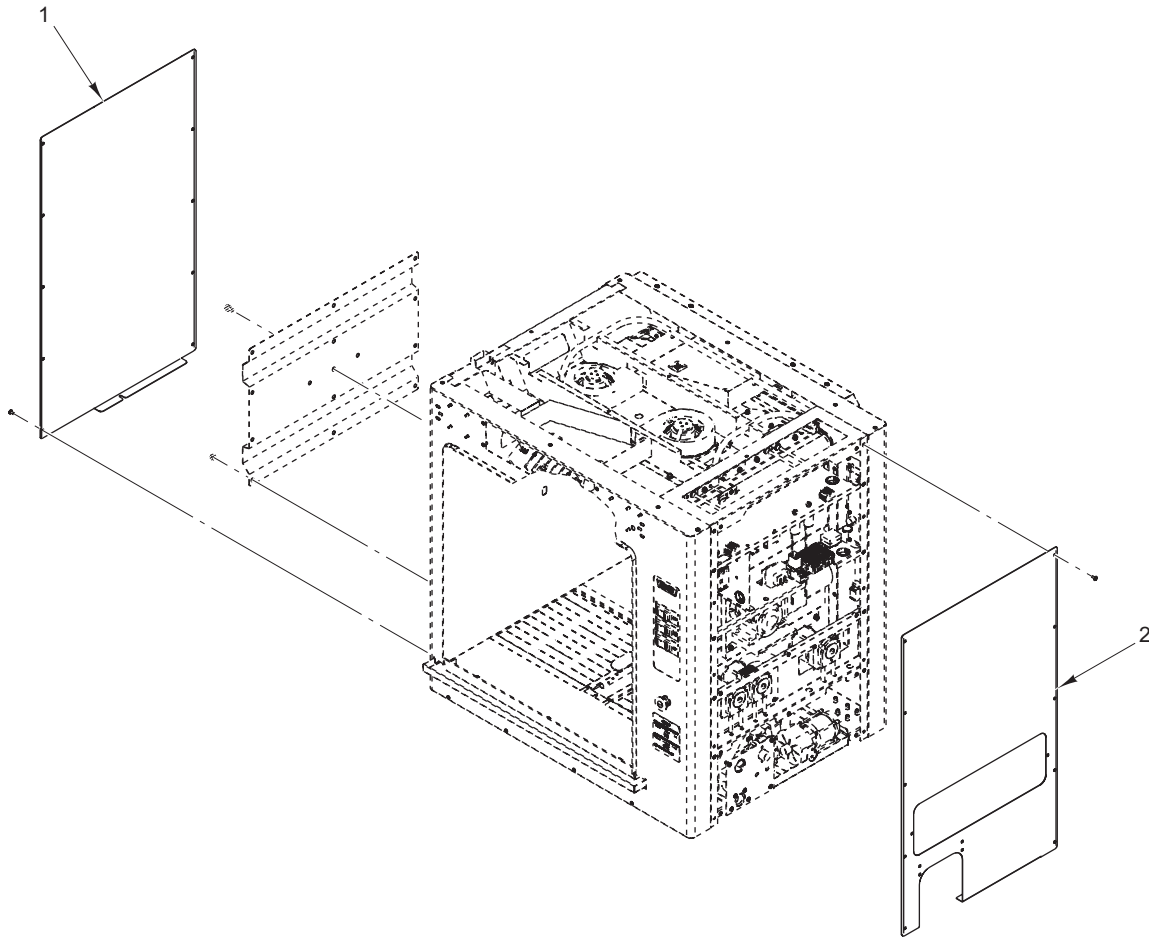
ILLUS.	PART NO.	NAME OF PART	AMT.
	PL-58974		
1	00-877727	Relay – Oven High Temperature/Air Flow.....	4
2	00-877728	Base – Relay	4
3	00-877730	Relay – Off Delay Timing	2
4	00-877731	Relay – On Time Delay	1
5	00-877735	Jumper – Terminal Block.....	14
6	00-877734	Block – Ground Terminal.....	2
7	00-877733	Block – Terminal.....	25
8	00-877736	Plate – Terminal Block End.....	1
9	00-877726	Switch – High/Low Airflow.....	2
10	00-877732	Switch – High Temperature Limit	1



MOTOR AND HOUSING

MOTOR AND HOUSING

ILLUS.	PART NO.	NAME OF PART	AMT.
	PL-58973		
1	00-877738	Lid	1
2	00-877720	Filter – Charcoal	1
3	00-877719	Filter – Hepa	1
4	00-877721	Filter – Grease Baffle	1
5	00-877740	Door – Access (Incls. Hook & Retaining Hardware)	1
6	00-877739	Door	1
7	00-877748	Door – Access Louvered (Incls. Hook & Retaining Hardware)	1
8	00-877737	Motor – Hood	1
9	00-877739	Door	1
	00-891071	Caster – Rigid	2
	00-891749	Caster (Hooded Assy.)	2
	00-877743	Stud – Access Panel	14
	00-877744	Spring – Access Panel	14
	00-877745	Washer – Access Panel	14
	00-877746	Retainer – Access Panel	14



PL-58991

SIDE PANELS FOR TOP UNIT WITH HOOD

ILLUS.	PART NO.	NAME OF PART	AMT.
1	00-891466	Cover – Side (LH)	1
2	00-891465	Cover – Side (RH)	1