



CATALOG OF REPLACEMENT PARTS



HAND WRAP STATIONS & ACCESSORIES

MODELS

HWS4C

ML-44225

PRIOR MLS COVERED IN THIS CATALOG

HWS1

ML-26395

HWS2

ML-26396

HWS3

ML-44026

HWS4

ML-44049

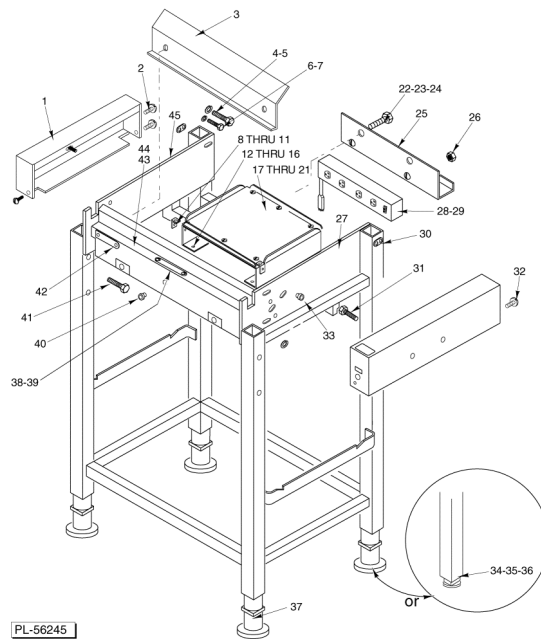
HWS4

ML-44113

THIS CATALOG OBSOLETEES AND REPLACES
F15412A, F16035, F16419, & F18009

Table of Contents

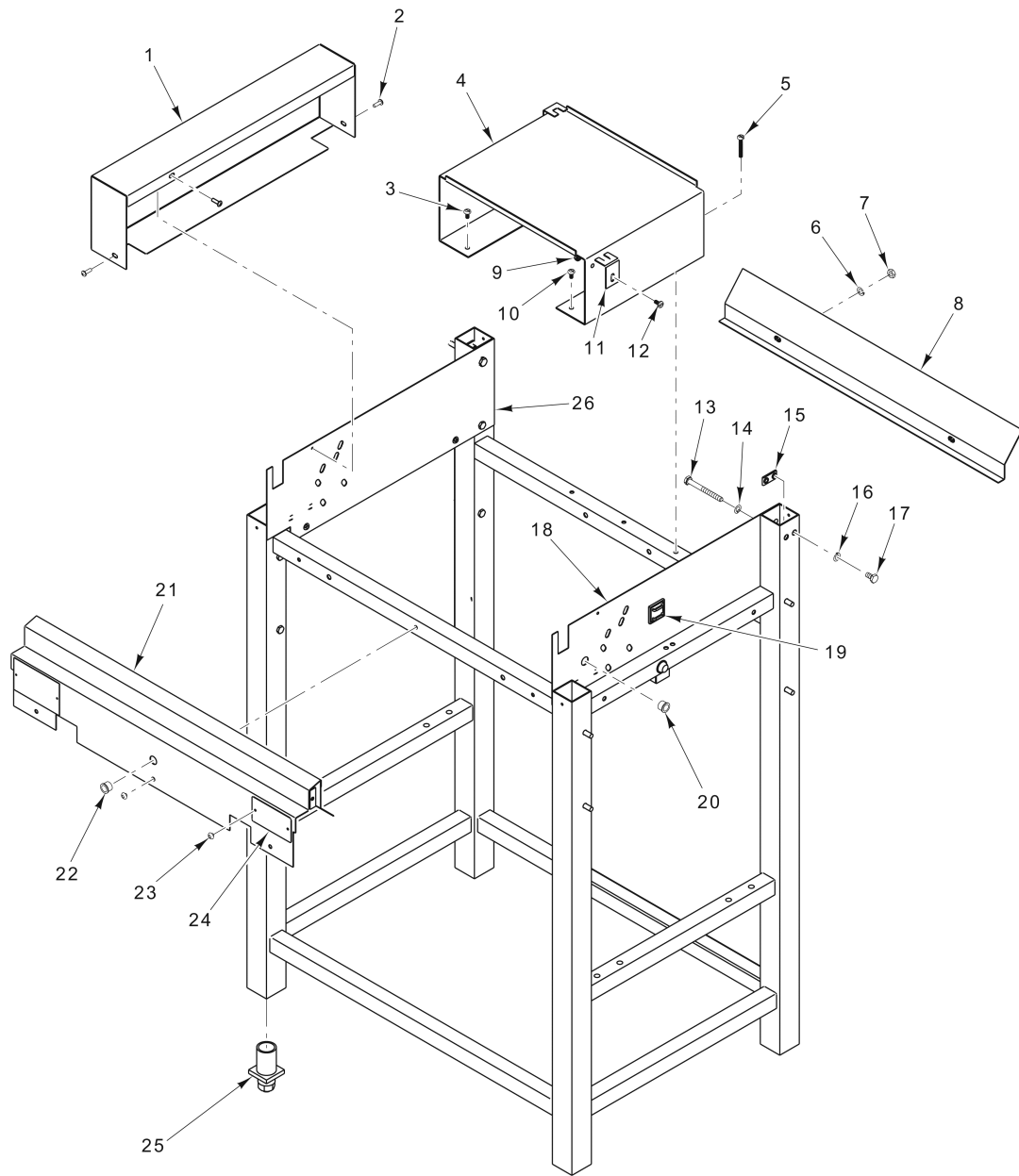
| | |
|----|---|
| 5 | STAND (HWS1 ML-26395, HWS2 ML-26396, HWS3 ML-44026, HWS4 ML-44049, & HWS4 ML-44113) |
| 7 | STAND (HWS4C ML-44225) |
| 9 | HOT PLATE (6 X 14) & SQUARE CUT-OFF ROD (HWS1 ML-26395, HWS2 ML-26396) |
| 11 | HOT PLATE (6 X 14) & SQUARE CUT-OFF ROD (HWS3 ML-44026 & HWS4 ML-44049) |
| 13 | HOT PLATE (6 X 15) (HWS4 ML-44113 & HWS4C ML-44225) |
| 15 | HWS3 & HWS4 CONTROL BOX WITH ON/OFF SWITCH (SQUARE CUT-OFF ROD) (HWS3 ML-44026 & HWS4 ML-44049) |
| 17 | HWS4 CONTROL BOX WITH ON/OFF SWITCH (ROUND CUT-OFF ROD) (ML-44113) |
| 19 | HWS4 & HWS4C CONTROL BOX WITH TIMER (ROUND CUT-OFF ROD) (ML-44113 & ML-44225) |
| 21 | ROLLERS & FILM CARRIER (HWS1 ML-26395, HWS2 ML-26396, HWS3 ML-44026, HWS4 ML-44049 & HWS4 ML-44113) |
| 23 | ROLLERS AND FILM SHAFTS (HWS4C ML-44225) |
| 25 | SIDE SHELF (WITHOUT PRINTER SUPPORT) |
| 27 | SIDE SHELF & PRINTER SUPPORT |
| 29 | PACKAGE REST KIT (HWS4 ML-44113 & HWS4C ML-44225) |
| 31 | OVERLAY DISPENSER UNIT |
| 33 | ULTIMA MOUNTING KIT |
| 35 | QUANTUM/HLX MOUNTING KIT |
| 37 | ACCESS MOUNTING KIT |
| 39 | 18VP/18VPS POST ASSEMBLY |
| 41 | SP PRINTER MOUNT |
| 43 | LIBRARY SUPPORT - POST ASSEMBLY |
| 45 | PLU LIBRARY |
| 47 | MISCELLANEOUS |



STAND
(HWS1 ML-26395, HWS2 ML-26396, HWS3 ML-44026, HWS4 ML-44049, & HWS4 ML-44113)

STAND
(HWS1 ML-26395, HWS2 ML-26396, HWS3 ML-44026, HWS4 ML-44049, & HWS4 ML-44113)

| ILLUS. PL-56245 | PART NO. | NAME OF PART | AMT. |
|--------------------|-----------------|--|------|
| 1 | 00-334106 | Cover - LH Side (HWS3 & HWS4)..... | 1 |
| 2 | SD-019-31 | Self-Tapping Screw 8-18 x 1/2 Phil. Pan Hd., Type B..... | 4 |
| 3 | 00-334692 | Guard - Element Wire (HWS3 & HWS4)..... | 1 |
| 4 | WL-006-17 | Lockwasher 1/4 Helical..... | 4 |
| 5 | SC-118-57 | Cap Screw 1/4-20 x 2 1/2 Hex Hd..... | 4 |
| 6 | SC-041-50 | Cap Screw 1/4-20 x 1/2 Hex Hd. (SST)..... | 2 |
| 7 | WL-006-17 | Lockwasher 1/4 Helical..... | 2 |
| 8 | 00-183648 | Clamp..... | 2 |
| 9 | SC-008-10 | Mach. Screw 10-24 x 1/2 Slotted Rd. Hd..... | 2 |
| 10 | WL-008-13 | Lockwasher #10 Internal Shakeproof..... | 2 |
| 11 | NS-009-22 | Nut 10-24 Hex..... | 2 |
| 12 | 00-048831 | Bracket - Scale Mounting..... | 1 |
| 13 | SC-117-03 | Mach. Screw 10-24 x 1 1/4 Rd. Hd. Slotted..... | 4 |
| 14 | SC-008-10 | Mach. Screw 10-24 x 1/2 Slotted Rd. Hd..... | 4 |
| 15 | WL-008-13 | Lockwasher #10 Internal Shakeproof..... | 4 |
| 16 | NS-009-22 | Nut 10-24 Hex..... | 4 |
| 17 | 00-334690 | Retainer - Scale (11.125 x 9.125)..... | 1 |
| 18 | WL-008-13 | Lockwasher #10 Internal Shakeproof..... | 4 |
| 19 | NS-009-22 | Nut 10-24 Hex..... | 6 |
| 20 | SC-008-10 | Mach. Screw 10-24 x 1/2 Slotted Rd. Hd..... | 6 |
| 21 | SC-041-07 | Cap Screw 1/4-20 x 1 1/2 Hex Hd..... | 2 |
| 22 | WL-006-17 | Lockwasher 1/4 Light..... | 2 |
| 23 | NS-015-01 | Nut 1/4-20 Hex..... | 2 |
| 24 | 00-333977 | Bracket - Outlet Strip..... | 1 |
| 25 | NS-044-07 | Mach. Nut 8-32 Hex KEPS..... | 2 |
| 26 | 00-334104 | Plate - Side (RH)..... | 1 |
| 27 | 00-334095 | Nut - Weld..... | 2 |
| 28 | SC-118-57 | Cap Screw 1/4-20 x 2 1/2 Hex Hd..... | 4 |
| 29 | SD-019-31 | Self-Tapping Screw 8-18 x 1/2 Phil. Pan Hd., Type B..... | 3 |
| 30 | FE-016-31 | Bushing - Snap (HWS3 & HWS4)..... | 1 |
| 31 | 00-334284 | Plate - Side (LH) (HWS3 & HWS4)..... | 1 |
| 32 | 00-334288 | Cover - Control Housing (HWS2)..... | 1 |
| 33 | 00-333234 | Cover - Control Housing (HWS1)..... | 1 |
| 34 | 00-333149 | Insert - Leveler (1 In. Leg) (HWS1 & HWS2)..... | 4 |
| 35 | NS-017-16 | Nut - Jam 3/8-16 Hex Hd. (HWS1 & HWS2)..... | 4 |
| 36 | 00-333148 | Adjustable Foot (1 In. Leg) (HWS1 & HWS2)..... | 4 |
| 37 | 00-334100 | Foot - Adjustable (HWS3 & HWS4)..... | 4 |
| 38 | 00-438131-00007 | Plate - Caution (HWS3 & HWS4)..... | 1 |
| 39 | SD-005-39 | Self-Tapping Screw 4 x 1/4 Rd. Hd., Type U..... | 2 |
| 40 | 00-333700 | Bushing - Snap (HWS1 & HWS2)..... | 1 |
| 41 | SC-062-57 | Cap Screw 1/4-20 x 2 Hex Hd..... | 4 |
| 42 | SD-005-39 | Self-Tapping Screw Rd. Hd., Type U..... | 2 |

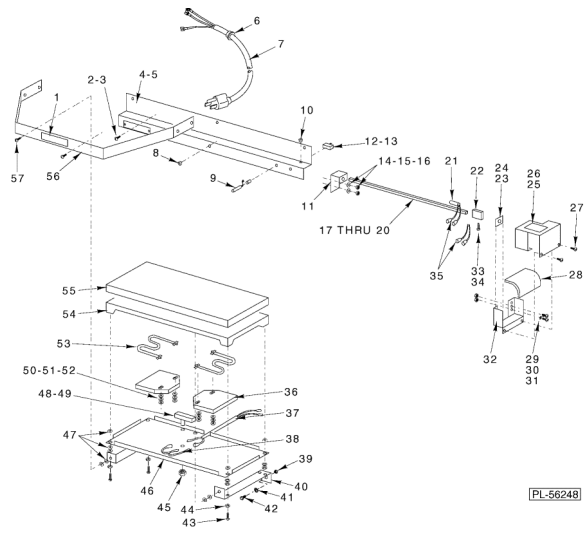


PL-59591

**STAND
(HWS4C ML-44225)**

**STAND
 (HWS4C ML-44225)**

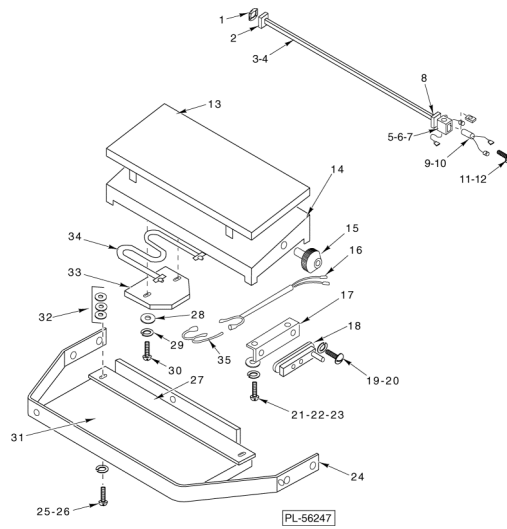
| ILLUS. PL-59591 | PART NO. | NAME OF PART | AMT. |
|--------------------|-----------------|--|------|
| 1 | 00-334106 | Cover - LH Side..... | 1 |
| 2 | SC-093-04 | Mach. Screw 8-32 x 1/2 Phil. Pan Hd. (SST)..... | 3 |
| 3 | SC-093-21 | Mach. Screw 10-32 x 3/8 Slotted Pan Hd. (SST)..... | 1 |
| 4 | 00-446469-00011 | Bracket - Scale Mounting..... | 1 |
| 5 | SC-109-79 | Mach. Screw 10-32 x 1 1/4 Slotted Pan Hd. (SST)..... | 2 |
| 6 | WL-006-17 | Lockwasher 1/4 Helical (SST)..... | 2 |
| 7 | NS-015-01 | Nut 1/4-20 Hex (SST)..... | 2 |
| 8 | 00-334692 | Guard - Element Wire..... | 1 |
| 9 | NS-032-05 | Lock Nut 10-32..... | 2 |
| 10 | SC-093-21 | Mach. Screw 10-32 x 3/8 Slotted Pan Hd. (SST)..... | 1 |
| 11 | 00-183648 | Clamp..... | 2 |
| 12 | SC-093-21 | Mach. Screw 10-32 x 3/8 Slotted Pan Hd. (SST)..... | 2 |
| 13 | SC-118-57 | Cap Screw 1/4-20 x 2 1/2 Hex Hd..... | 2 |
| 14 | WL-006-17 | Lockwasher 1/4 Helical (SST)..... | 2 |
| 15 | 00-334095 | Nut - Weld..... | 2 |
| 16 | WL-006-17 | Lockwasher 1/4 Helical (SST)..... | 2 |
| 17 | SC-041-50 | Cap Screw 1/4-20 x 1/2 Hex Hd. (SST)..... | 2 |
| 18 | 00-334104 | Plate - Side (RH)..... | 1 |
| 19 | 00-446469-00004 | Platform - Mounting (Nylon)..... | 1 |
| 20 | FE-016-31 | Bushing - Snap..... | 1 |
| 21 | 00-334288 | Cover Assy. - Control Housing..... | 1 |
| 22 | FE-016-31 | Bushing - Snap..... | 1 |
| 23 | SD-033-56 | Self-Tapping Screw 3/16 Lg. Rd. Hd. (SST)..... | 2 |
| 24 | 00-438131-00007 | Plate - Caution..... | 1 |
| 25 | 00-446469-00005 | Foot - Insert..... | 4 |
| 26 | 00-334284 | Plate - Side (LH)..... | 1 |



**HOT PLATE
(6 X 14) & SQUARE CUT-OFF ROD
(HWS1 ML-26395, HWS2 ML-26396)**

**HOT PLATE
 (6 X 14) & SQUARE CUT-OFF ROD
 (HWS1 ML-26395, HWS2 ML-26396)**

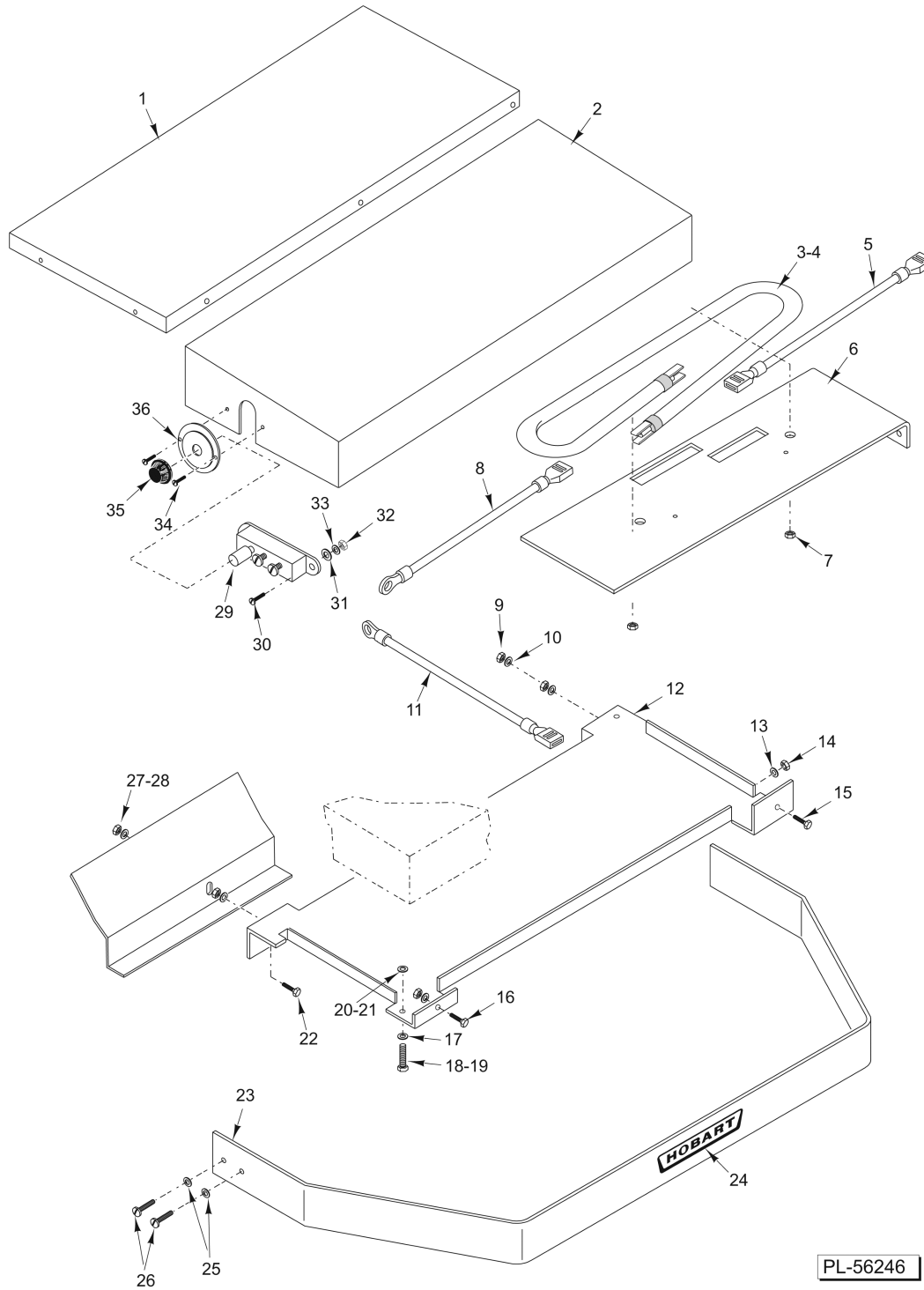
| ILLUS. | PART NO. | NAME OF PART | AMT. |
|----------|-----------------|--|------|
| PL-56248 | | | |
| 1 | 00-252217-00001 | Logo - Hobart..... | 1 |
| 2 | SC-008-09 | Mach. Screw 10-24 x 3/8 Rd. Hd..... | 4 |
| 3 | WL-008-13 | Lockwasher #10 Internal Shakeproof..... | 4 |
| 4 | 00-333234 | Cover - Control Housing (HWS1)..... | 1 |
| 5 | 00-334288 | Cover - Control Housing (HWS2)..... | 1 |
| 6 | FE-007-21 | Bushing - Strain Relief..... | 1 |
| 7 | 00-333237 | Cord - Power..... | 1 |
| 8 | 00-333700 | Bushing - Snap..... | 1 |
| 9 | 00-332950 | Indicator - Light (Round)..... | 1 |
| 10 | 00-333700 | Bushing - Snap..... | 1 |
| 11 | 00-333238 | Bracket - Element Support..... | 1 |
| 12 | 00-332951 | Switch - On/Off..... | 1 |
| 13 | 00-333701 | Wire - Switch (Power)..... | 2 |
| 14 | NS-009-22 | Nut 10-24 Hex..... | 2 |
| 15 | WL-008-13 | Lockwasher #10 Internal Shakeproof..... | 2 |
| 16 | SC-008-10 | Mach. Screw 10-24 x 1/2 Slotted Rd. Hd..... | 2 |
| 17 | 00-334662 | Element - Cartridge (Square) (HWS2) (120 V.) (243/4)..... | 1 |
| 18 | 00-332953 | Element - Cartridge (Square) (HWS1) (120 V.) (23 1/4)..... | 2 |
| 19 | 00-184816 | Element - Cartridge (Square) (HWS1) (220 V.) (23 1/2)..... | 1 |
| 20 | 00-184433 | Element - Cartridge (Square) (HWS2) (220 V.) (243/4)..... | 1 |
| 21 | 00-332959 | Element - Thermostat..... | 1 |
| 22 | 00-332831 | Adapter - Thermostat..... | 1 |
| 23 | 00-332955 | Adapter - Element (R.S. Only) (HWS1)..... | 1 |
| 24 | 00-333674 | Adapter - Element (R.S. Only) (HWS2)..... | 1 |
| 25 | 00-333672 | Cover - Support Housing (HWS2)..... | 1 |
| 26 | 00-333010 | Cover - Support Housing (HWS1)..... | 1 |
| 27 | SC-008-10 | Mach. Screw 10-24 x 1/2 Slotted Rd. Hd..... | 2 |
| 28 | 00-332946 | Insulator - Cover..... | 1 |
| 29 | SC-008-10 | Mach. Screw 10-24 x 1/2 Slotted Rd. Hd..... | 2 |
| 30 | WL-008-13 | Lockwasher #10 Internal Shakeproof..... | 2 |
| 31 | NS-009-22 | Nut 10-24 Hex..... | 2 |
| 32 | 00-333673 | Housing - Element Support..... | 1 |
| 33 | SC-088-75 | Set Screw 6-32 x 5/16 Hds., Cup Pt..... | 1 |
| 34 | 00-333689 | Speed Nut #6..... | 1 |
| 35 | FE-006-17 | Wire Nut (16-22 Ga.)..... | 4 |
| 36 | 00-333675 | Plate - Element..... | 2 |
| 37 | 00-334854 | Wire Assy. (Terminal Strip to Thermostat & Element)..... | AR |
| 38 | 00-334857 | Wire Assy. (Thermostat to Element)..... | AR |
| 39 | NS-013-02 | Nut 1/4-20 Hex..... | 4 |
| 40 | 00-333685 | Bracket - Seal Plate Mtg..... | 2 |
| 41 | WL-003-39 | Lockwasher 1/4 Light..... | 4 |
| 42 | SC-037-84 | Cap Screw 1/4-20 x 1 1/2 Hex Hd..... | 4 |
| 43 | SC-060-03 | Mach. Screw 10-24 x 3/4 Rd. Hd..... | 4 |
| 44 | WL-008-13 | Lockwasher #10 Internal Shakeproof..... | 4 |
| 45 | 00-084706 | Knob - Thermostat..... | 1 |
| 46 | 00-333239 | Backplate - Sealing..... | 1 |
| 47 | 00-332949 | Insulator..... | 12 |
| 48 | 00-334659 | Thermostat (Short Stem)..... | 1 |
| 49 | SC-032-08 | Self-Tapping Screw 6-32 x 1/4 Slotted Pan Hd..... | 2 |
| 50 | SD-012-02 | Self-Tapping Screw 6-32 x 3/8 Pan Hd., Type T..... | 4 |
| 51 | WL-008-01 | Lockwasher #6 Internal Shakeproof..... | 4 |
| 52 | WS-028-03 | Washer..... | 4 |
| 53 | 00-332939 | Element - Heating (120 V.)..... | 2 |
| 54 | 00-332836 | Plate - Hot..... | 1 |
| 55 | 00-334588 | Cover - Hot Plate (non-stick) 6 x 14..... | 1 |
| 56 | 00-333392 | Guard - Sealing Plate..... | 1 |
| 57 | SC-008-10 | Mach. Screw 10-24 x 1/2 Slotted Rd. Hd..... | 6 |



**HOT PLATE
(6 X 14) & SQUARE CUT-OFF ROD
(HWS3 ML-44026 & HWS4 ML-44049)**

**HOT PLATE
 (6 X 14) & SQUARE CUT-OFF ROD
 (HWS3 ML-44026 & HWS4 ML-44049)**

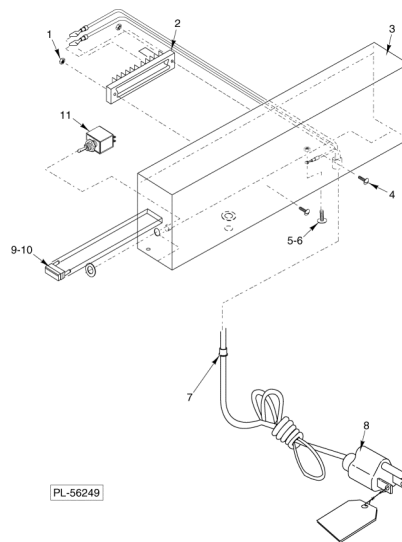
| ILLUS. | PART NO. | NAME OF PART | AMT. |
|--------|-----------------|--|------|
| | PL-56247 | | |
| 1 | 00-334702 | Retainer - Push-On..... | 1 |
| 2 | 00-334691 | Adapter - Element (L.S. Only)..... | 1 |
| 3 | 00-334662 | Element - Cartridge (Square) (120 V.) (243/4)..... | 1 |
| 4 | 00-184433 | Element - Cartridge (Square) (220 V.) (243/4)..... | 1 |
| 5 | SC-088-75 | Set Screw 6-32 x 5/16 Hdls., Cup Pt..... | 1 |
| 6 | 00-332831 | Adapter - Thermostat..... | 1 |
| 7 | 00-333689 | Speed Nut #6..... | 1 |
| 8 | 00-332955 | Adapter - Element (R.S. Only)..... | 1 |
| 9 | 00-332959 | Element - Thermostat..... | 1 |
| 10 | FE-006-17 | Wire Nut (16-22 Ga.)..... | 1 |
| 11 | SC-008-10 | Mach. Screw 10-24 x 1/2 Slotted Rd. Hd..... | 2 |
| 12 | WL-008-13 | Lockwasher #10 Internal Shakeproof..... | 2 |
| 13 | 00-334587 | Cover - Hot Plate (non-stick) 6 x 14..... | 1 |
| 14 | 00-334091 | Hot Plate (Slanted)..... | 1 |
| 15 | 00-084706 | Knob - Thermostat..... | 1 |
| 16 | 00-334854 | Wire Assy. (Thermostat Strip to Thermostat & Element)..... | AR |
| 17 | 00-334090 | Bracket - Thermostat..... | 1 |
| 18 | 00-334660 | Thermostat (Long Stem)..... | 1 |
| 19 | WL-008-01 | Lockwasher #6 Internal Shakeproof..... | 2 |
| 20 | SC-009-79 | Mach. Screw 6-32 x 5/16 Rd. Hd..... | 2 |
| 21 | SD-012-02 | Self-Tapping Screw 6-32 x 3/8 Pan Hd., Type T..... | 2 |
| 22 | WL-008-01 | Lockwasher #6 Internal Shakeproof..... | 2 |
| 23 | WS-028-03 | Washer..... | 2 |
| 24 | 00-334305 | Guard - Hot Plate..... | 1 |
| 25 | WL-004-40 | Lockwasher #10 Helical..... | 4 |
| 26 | SC-060-03 | Mach. Screw 10-24 x 3/4 Rd. Hd..... | 4 |
| 27 | 00-334693 | Guard - Hot Plate (Rear)..... | 1 |
| 28 | WS-028-03 | Washer..... | 4 |
| 29 | WL-008-01 | Lockwasher #6 Internal Shakeproof..... | 4 |
| 30 | SD-012-02 | Self-Tapping Screw 6-32 x 3/8 Pan Hd., Type T..... | 4 |
| 31 | 00-334094 | Bracket - Hot Plate Support..... | 1 |
| 32 | 00-332949 | Insulator..... | 12 |
| 33 | 00-333675 | Plate - Element..... | 1 |
| 34 | 00-332939 | Element - Heating (120 V.)..... | 2 |
| 35 | 00-334857 | Wire Assy. (Thermostat to Element)..... | AR |



**HOT PLATE
(6 X 15) (HWS4 ML-44113 & HWS4C ML-44225)**

**HOT PLATE
 (6 X 15) (HWS4 ML-44113 & HWS4C ML-44225)**

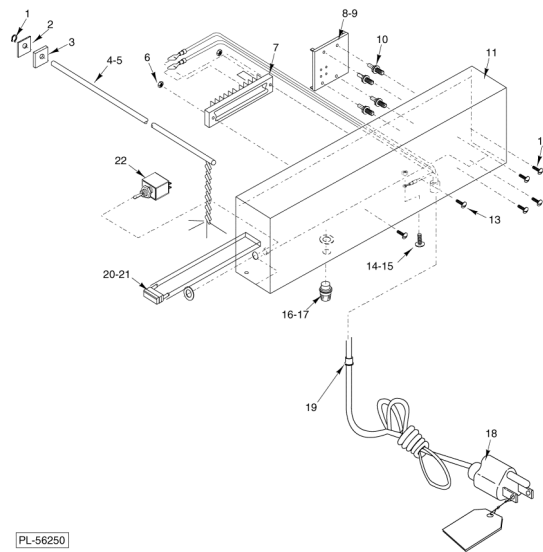
| ILLUS. PL-56246 | PART NO. | NAME OF PART | AMT. |
|--------------------|-----------------|---|------|
| 1 | 00-130585-00001 | Cover - (non-stick) 6 x 15..... | 1 |
| 2 | 00-446731-00001 | Housing - Hot Plate (Sheet Metal Formed)..... | 1 |
| 3 | 00-334294 | Element - Hot Plate (115 V.)..... | 1 |
| 4 | 00-334293 | Element - Hot Plate (220 V.)..... | 1 |
| 5 | 00-440925 | Wire Assy. (Element to Terminal Strip) (34 In.)..... | 1 |
| 6 | 00-444952 | Mounting - Element..... | 1 |
| 7 | NS-015-01 | Nut 1/4-20 Hex (SST)..... | 2 |
| 8 | 00-440923 | Wire Assy. (Thermostat to Element) (61/2 In.)..... | 1 |
| 9 | NS-015-01 | Nut 1/4-20 Hex (SST)..... | AR |
| 10 | WL-006-17 | Lockwasher 1/4 Helical (SST)..... | AR |
| 11 | 00-440924 | Wire Assy. (Thermostat to Terminal Strip) (36 In.)..... | 1 |
| 12 | 00-046494 | Sealer - Support Plate..... | 1 |
| 13 | WL-006-01 | Lockwasher #8 (SST)..... | AR |
| 14 | NS-011-12 | Nut 8-32 Hex..... | AR |
| 15 | SC-093-04 | Mach. Screw 8-32 x 1/2 Phil. Pan Hd. (SST)..... | AR |
| 16 | SC-093-04 | Mach. Screw 8-32 x 1/2 Phil. Pan Hd. (SST)..... | AR |
| 17 | WL-006-17 | Lockwasher 1/4 Medium (HWS4 With Aluminum Hot Plate Casting)..... | AR |
| 18 | SC-041-05 | Cap Screw 1/4-20 x 5/8 Hex Hd. (HWS4 With Aluminum Hot Plate Casting)..... | AR |
| 19 | SC-123-89 | Mach. Screw 10-32 x 3/4 Slotted Washer Hd. (SST)..... | 4 |
| 20 | 00-334416 | Insulator - Washer (HWS4 With Aluminum Hot Plate Casting)..... | 12 |
| 21 | 00-442348 | Insulator - Washer (Used With Sheet Metal Formed Hot Plate)..... | 10 |
| 22 | SC-062-57 | Cap Screw 1/4-20 x 2 Hex Hd..... | AR |
| 23 | 00-334305 | Guard Assy. (Incls. Item 24)..... | 1 |
| 24 | 00-252217-00001 | Logo (Without Holes)..... | 1 |
| 25 | WL-004-40 | Lockwasher #10 Helical..... | 2 |
| 26 | SC-093-21 | Mach. Screw 10-32 x 3/8 Slotted Pan Hd. (SST)..... | 2 |
| 27 | NS-015-01 | Nut 1/4-20 Hex (SST)..... | AR |
| 28 | WL-006-17 | Lockwasher 1/4 Helical (SST)..... | AR |
| 29 | 00-334659 | Thermostat (Short Stem)..... | 1 |
| 30 | SC-021-11 | Mach. Screw 6-32 x 3/4 Slotted Rd. Hd. (SST)..... | 2 |
| 31 | WS-028-03 | Washer..... | 2 |
| 32 | NS-011-07 | Nut 6-32 Hex (SST)..... | 2 |
| 33 | WL-006-42 | Lockwasher #6 Helical (SST)..... | AR |
| 34 | SD-033-56 | Self-Tapping Screw 3/16 Rd. Hd., Type U (HWS4 With Aluminum Hot Plate Casting) | 2 |
| 35 | 00-444950 | Knob - Thermostat..... | 1 |
| 36 | 00-046496 | Plate - Dial (HWS4 With Aluminum Hot Plate Casting)..... | 1 |
| | 00-444974 | Sealer Assy. (Incls. Items 1, 2, 3, 5 thru 8, 11, 29 thru 33, & 35)..... | 1 |
| | 00-046498 | Sealer Support Kit (Incls. Items 9, 10, 12 thru 18, 20, 22, 27, & 28)..... | 1 |



**HWS3 & HWS4 CONTROL BOX WITH ON/OFF SWITCH
(SQUARE CUT-OFF ROD)
(HWS3 ML-44026 & HWS4 ML-44049)**

**HWS3 & HWS4 CONTROL BOX WITH ON/OFF SWITCH
 (SQUARE CUT-OFF ROD)
 (HWS3 ML-44026 & HWS4 ML-44049)**

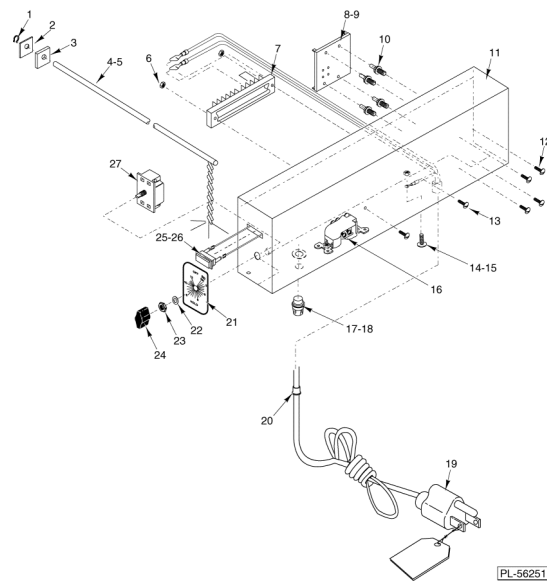
| ILLUS. PL-56249 | PART NO. | NAME OF PART | AMT. |
|--------------------|-----------------|--|------|
| 1 | NS-048-19 | Mach. Nut 10-32 Hex KEPS (SST)..... | 2 |
| 2 | 00-333235 | Strip - Terminal..... | 1 |
| 3 | 00-334105 | Cover - RH Side..... | 1 |
| 4 | SC-066-20 | Mach. Screw 10-32 x 1/2 Phil. Truss Hd. (SST)..... | 2 |
| 5 | SC-009-67 | Mach. Screw 6-32 x 5/8 Rd. Hd..... | 1 |
| 6 | NS-009-07 | Mach. Nut 6-32 Hex (SST)..... | 1 |
| 7 | FE-025-53 | Bushing - Strain Relief..... | 1 |
| 8 | 00-442346 | Cord - Power Assy. (110 V.)..... | 1 |
| 9 | 00-133320-00005 | Light - Pilot Indicator (Rectangle)..... | 1 |
| 10 | 00-332950 | Light - Indicator (Round)..... | 1 |
| 11 | 00-332951 | Switch - On/Off..... | 1 |



**HWS4 CONTROL BOX WITH ON/OFF SWITCH
(ROUND CUT-OFF ROD) (ML-44113)**

**HWS4 CONTROL BOX WITH ON/OFF SWITCH
 (ROUND CUT-OFF ROD) (ML-44113)**

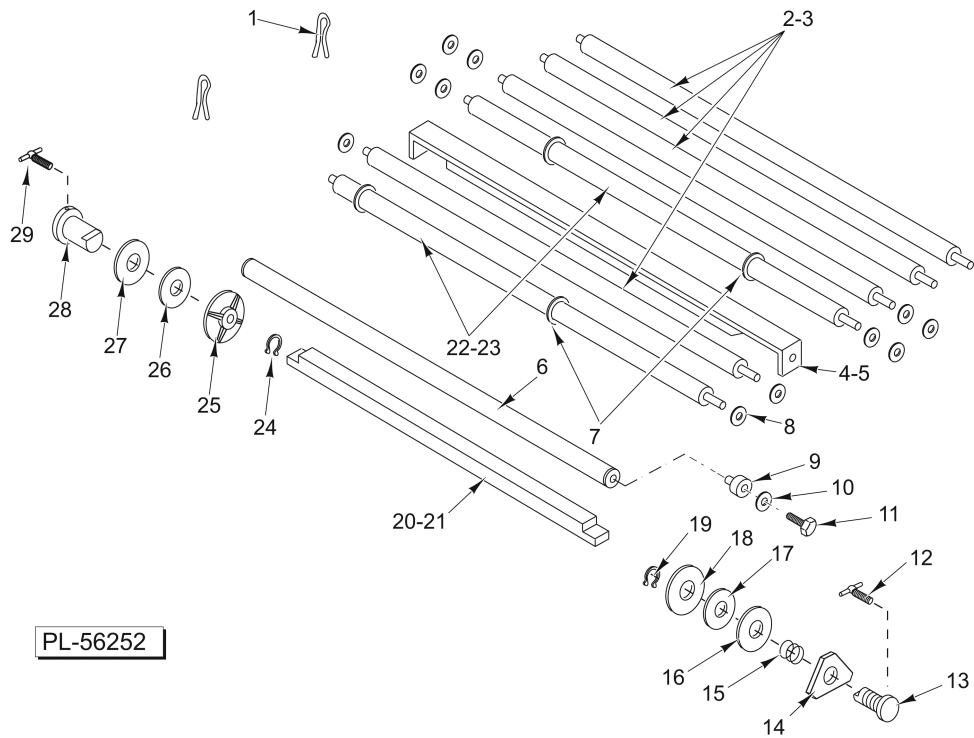
| ILLUS. | PART NO. | NAME OF PART | AMT. |
|----------|-----------------|--|------|
| PL-56250 | | | |
| 1 | RR-009-10 | Retaining Ring 3/8 In. (SST)..... | 1 |
| 2 | 00-046601 | Retainer - Rod (Aluminum)..... | 1 |
| 3 | 00-046601 | Retainer - Rod (Aluminum)..... | 1 |
| 4 | 00-134429 | Rod - Cut-Off (120 V.)..... | 1 |
| 5 | 00-134431 | Rod - Cut-Off (220 V.)..... | 1 |
| 6 | NS-048-19 | Mach. Nut 10-32 Hex KEPS (SST)..... | 2 |
| 7 | 00-333235 | Strip - Terminal..... | 1 |
| 8 | 00-132654-00006 | Board - Circuit (115 V.)..... | 1 |
| 9 | 00-132654-00013 | Board - Circuit (220 V.)..... | 1 |
| 10 | 00-334626 | Standoff..... | 4 |
| 11 | 00-334105 | Cover - RH Side..... | 1 |
| 12 | SD-027-08 | Self-Tapping Screw 6-32 x 3/8 Slotted Pan Hd., Type T..... | 4 |
| 13 | SC-110-97 | Mach. Screw 10-32 x 1/2 Slotted Truss Hd..... | 2 |
| 14 | SC-110-97 | Mach. Screw 10-32 x 1/2 Slotted Truss Hd..... | 1 |
| 15 | NS-048-19 | Mach. Nut 10-32 Hex KEPS (SST)..... | 1 |
| 16 | FE-022-73 | Fuseholder..... | 1 |
| 17 | FE-022-29 | Fuse (1 Amp.) (MDL) (250 V.)..... | 1 |
| 18 | 00-442346 | Cord - Power Assy. (110 V.)..... | 1 |
| 19 | FE-025-53 | Bushing - Snap 3/8..... | 1 |
| 20 | 00-133320-00005 | Light - Indicator..... | 1 |
| 21 | 00-130445-00050 | Light - Indicator (220 V.)..... | 1 |
| 22 | 00-332951 | Switch - On/Off..... | 1 |



**HWS4 & HWS4C CONTROL BOX WITH TIMER
(ROUND CUT-OFF ROD)
(ML-44113 & ML-44225)**

**HWS4 & HWS4C CONTROL BOX WITH TIMER
 (ROUND CUT-OFF ROD)
 (ML-44113 & ML-44225)**

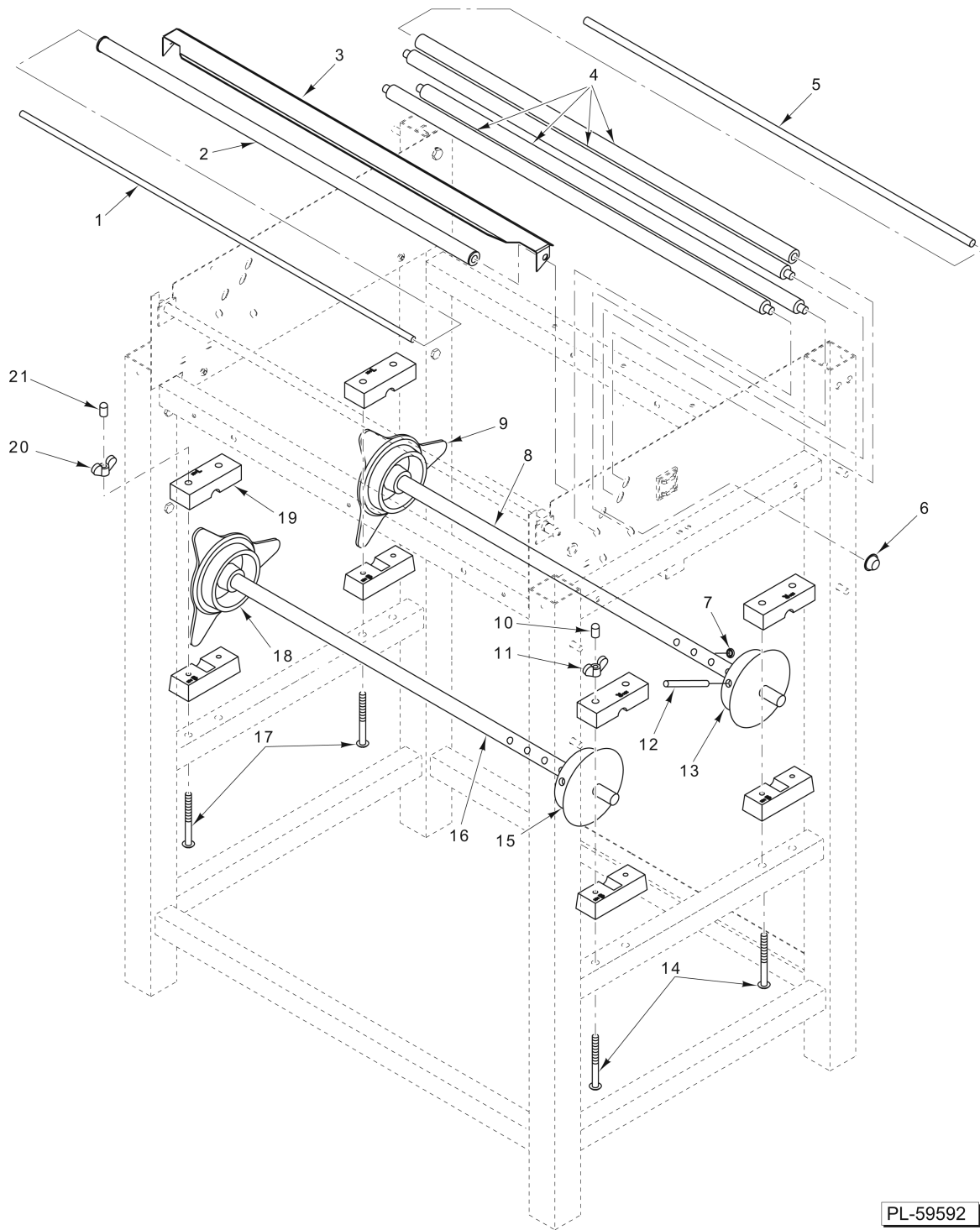
| ILLUS. PL-56251 | PART NO. | NAME OF PART | AMT. |
|--------------------|-----------------|--|------|
| 1 | RR-009-10 | Retaining Ring 3/8 In. (SST)..... | 1 |
| 2 | 00-046601 | Retainer - Rod (Aluminum)..... | 1 |
| 3 | 00-046601 | Retainer - Rod (Aluminum)..... | 1 |
| 4 | 00-134429 | Rod - Cut-Off (120 V.)..... | 1 |
| 5 | 00-134431 | Rod - Cut-Off (220 V.)..... | 1 |
| 6 | NS-048-09 | Mach. Nut 10-32 Hex KEPS..... | 2 |
| 7 | 00-333235 | Strip - Terminal..... | 1 |
| 8 | 00-132654-00006 | Board - Circuit (115 V.)..... | 1 |
| 9 | 00-132654-00013 | Board - Circuit (220 V.)..... | 1 |
| 10 | 00-334626 | Standoff..... | 4 |
| 11 | 00-441782 | Cover - RH Side..... | 1 |
| 12 | SD-027-08 | Self-Tapping Screw 6-32 x 3/8 Slotted Pan Hd., Type T..... | 4 |
| 13 | SC-110-97 | Mach. Screw 10-32 x 1/2 Slotted Truss Hd..... | 2 |
| 14 | SC-110-97 | Mach. Screw 10-32 x 1/2 Slotted Truss Hd..... | 1 |
| 15 | NS-048-19 | Mach. Nut 10-32 Hex KEPS (SST)..... | 1 |
| 16 | 00-441790 | Receptacle - Duplex..... | 1 |
| 17 | FE-022-73 | Fuseholder..... | 1 |
| 18 | FE-022-29 | Fuse (1 Amp.) (MDL) (250 V.)..... | 1 |
| 19 | 00-442346 | Cord - Power Assy. (110 V.)..... | 1 |
| 20 | FE-025-53 | Bushing - Strain Relief..... | 1 |
| 21 | 00-446729-00003 | Decal - Timer..... | 1 |
| 22 | WL-019-04 | Lockwasher 3/8 Internal..... | 1 |
| 23 | 00-442007-00001 | Nut 3/8-32 Thin..... | 1 |
| 24 | 00-441788 | Knob - Control Timer..... | 1 |
| 25 | 00-133320-00005 | Light - Indicator (120 V.)..... | 1 |
| 26 | 00-130445-00050 | Light - Indicator (220 V.)..... | 1 |
| 27 | 00-441791 | Timer - 12 Hr. (Incls. Items 22, 23, & 24)..... | 1 |



ROLLERS & FILM CARRIER
(HWS1 ML-26395, HWS2 ML-26396, HWS3 ML-44026, HWS4 ML-44049 & HWS4 ML-44113)

ROLLERS & FILM CARRIER
(HWS1 ML-26395, HWS2 ML-26396, HWS3 ML-44026, HWS4 ML-44049 & HWS4 ML-44113)

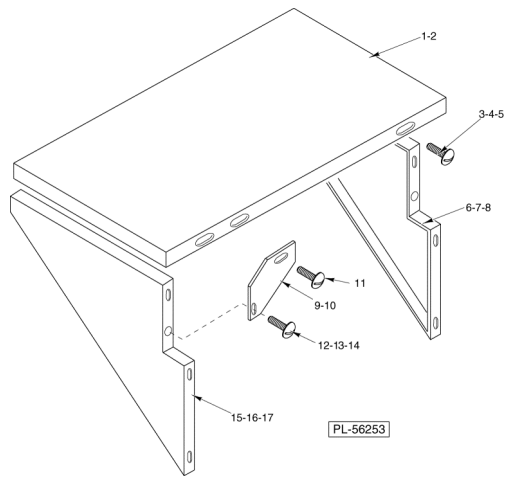
| ILLUS. | PART NO. | NAME OF PART | AMT. |
|----------|-----------|--|------|
| PL-56252 | | | |
| 1 | PC-005-12 | Pin - Cotter 3/32 Dia. x 3 In. Lg..... | 4 |
| 2 | 00-442387 | Roller - Spring (HWS3 & HWS4) (225/8 In.)..... | 4 |
| 3 | 00-332943 | Roller - Spring (HWS1 & HWS2) (245/8 In.)..... | 4 |
| 4 | 00-332835 | Retainer - Film (HWS1 & HWS2)..... | 1 |
| 5 | 00-442388 | Retainer - Film (HWS3 & HWS4)..... | 1 |
| 6 | 00-332942 | Roller - Film Guide (HWS1 & HWS2) (221/2 In.)..... | 1 |
| 7 | 00-442098 | O-Ring..... | 4 |
| 8 | 00-442097 | Spacer - Nylon (Black)..... | 10 |
| 9 | 00-332945 | Bushing (HWS1 & HWS2)..... | 2 |
| 10 | WL-003-38 | Lockwasher 1/4 (HWS1 & HWS2)..... | 2 |
| 11 | SC-036-13 | Cap Screw 1/4-20 x 3/4 Hex Hd. (HWS1 & HWS2)..... | 2 |
| 12 | 00-332952 | Screw - Bar Slide..... | 2 |
| 13 | 00-332829 | Sleeve - Threaded..... | 2 |
| 14 | 00-333247 | Disc - Adjusting..... | 2 |
| 15 | 00-332834 | Spring - Compression..... | 2 |
| 16 | 00-333363 | D - Washer..... | 2 |
| 17 | 00-332833 | Washer - Film Brake..... | 2 |
| 18 | 00-333248 | Brake - Core..... | 2 |
| 19 | RR-011-06 | Retaining Ring..... | 2 |
| 20 | 00-334784 | Rod - Film Carrier (HWS2, HWS3, & HWS4) (265/8 In.)..... | 2 |
| 21 | 00-332828 | Rod - Film Carrier (HWS1) (243/4 In.)..... | 2 |
| 22 | 00-442099 | Roller - Film Feed (HWS3 & HWS4) (225/8 In.)..... | 2 |
| 23 | 00-333687 | Roller - Film Feed (HWS1 & HWS2) (255/8 In.)..... | 2 |
| 24 | RR-011-06 | Retaining Ring..... | 2 |
| 25 | 00-333248 | Brake - Core..... | 2 |
| 26 | 00-332833 | Washer - Film Brake..... | 2 |
| 27 | 00-333363 | Washer - D Film Core..... | 2 |
| 28 | 00-333686 | Sleeve - Plain..... | 2 |
| 29 | 00-332952 | Screw - Bar Slide..... | 2 |
| | 00-332948 | Brake Core Assy. (Incls. Items 24 thru 29)..... | 2 |
| | 00-332944 | Adjusting Core Assy. (Incls. Items 12 thru 19)..... | 2 |



ROLLERS AND FILM SHAFTS (HWS4C ML-44225)

ROLLERS AND FILM SHAFTS (HWS4C ML-44225)

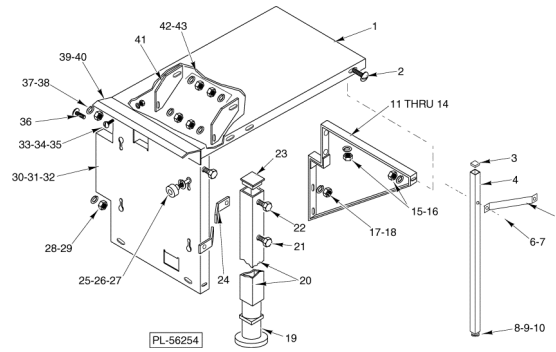
| ILLUS. PL-59592 | PART NO. | NAME OF PART | AMT. |
|--------------------|-----------------|---|------|
| 1 | 00-446469-00006 | Shaft - Roller..... | 1 |
| 2 | 00-446469-00012 | Roller (With Bearings)..... | 1 |
| 3 | 00-442388 | Retainer - Film..... | 1 |
| 4 | 00-446469-00012 | Roller (With Bearings)..... | 5 |
| 5 | 00-446469-00006 | Shaft - Roller..... | 5 |
| 6 | 00-046645 | Retainer - Shaft..... | 12 |
| 7 | 00-030929 | O-Ring..... | 1 |
| 8 | 00-443694 | Shaft - Film Roll (24 In.)..... | 1 |
| 9 | 00-130445-00041 | Core - Film (Adjustable)..... | 1 |
| 10 | 00-441680-00001 | Cap (1/4)..... | 4 |
| 11 | NS-029-01 | Wing Nut 1/4-20 (SST)..... | 4 |
| 12 | 00-130445-00039 | Pin - Core Adapter (Aluminum Core)..... | 2 |
| 13 | 00-130445-00038 | Core - Film (Fixed)..... | 2 |
| 14 | SC-129-32 | Mach. Screw 1/4-20 x2 1/2 Slotted Rd. Hd. (SST)..... | 4 |
| 15 | 00-130445-00038 | Core - Film (Fixed)..... | 1 |
| 16 | 00-443694 | Shaft - Film Roll (24 In.)..... | 1 |
| 17 | SC-129-32 | Mach. Screw 1/4-20 x2 1/2 Slotted Rd. Hd. (SST)..... | 4 |
| 18 | 00-130445-00041 | Core - Film (Adjustable)..... | 1 |
| 19 | 00-443695 | Kit - Bearing Block (Set of 4) (1 Kit Per Axle) (Incls. Items 20 & 17)..... | 2 |
| 20 | NS-029-01 | Wing Nut 1/4-20 (SST)..... | 4 |
| 21 | 00-441680-00001 | Cap (1/4)..... | 4 |



SIDE SHELF (WITHOUT PRINTER SUPPORT)

SIDE SHELF (WITHOUT PRINTER SUPPORT)

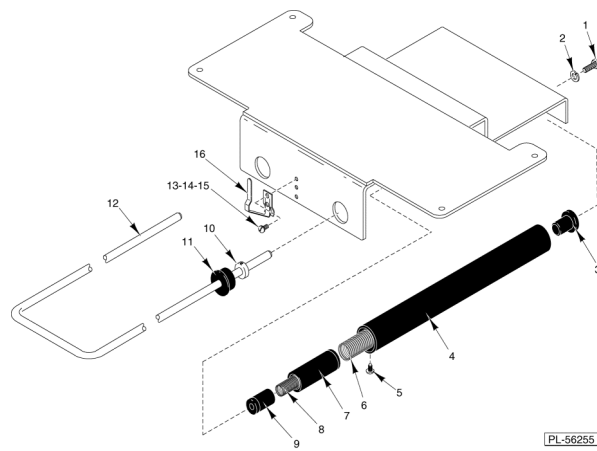
| ILLUS. | PART NO. | NAME OF PART | AMT. |
|----------|-----------|---|------|
| PL-56253 | | | |
| 1 | 00-333244 | Shelf - Side..... | 1 |
| 2 | 00-046603 | Shelf Assy. - Welded (Incls. RH & LH Brackets)..... | 1 |
| 3 | SC-010-16 | Mach. Screw 10-24 x 1/2 Slotted Truss Hd..... | 4 |
| 4 | WL-008-13 | Lockwasher #10 Internal Shakeproof..... | 4 |
| 5 | NS-009-22 | Nut 10-24 Hex..... | 4 |
| 6 | 00-334099 | Bracket - Shelf (RH) (HWS3 & HWS4 ML-44049)..... | 1 |
| 7 | 00-333670 | Bracket - Shelf (RH) (HWS2)..... | 1 |
| 8 | 00-333250 | Bracket - Shelf (RH) (HWS1)..... | 1 |
| 9 | 00-334101 | Gusset - Support (HWS3 & HWS4 ML-44049)..... | 2 |
| 10 | 00-333246 | Gusset - Support (HWS1)..... | 1 |
| 11 | SC-010-16 | Mach. Screw 10-24 x 1/2 Slotted Truss Hd..... | 2 |
| 12 | SC-010-16 | Mach. Screw 10-24 x 1/2 Slotted Truss Hd..... | 2 |
| 13 | WL-008-13 | Lockwasher #10 Internal Shakeproof..... | 2 |
| 14 | NS-009-22 | Mach. Nut 8-32 Hex..... | 2 |
| 15 | 00-334087 | Bracket - Shelf (RH) (HWS3 & HWS4 ML-44049)..... | 1 |
| 16 | 00-333669 | Bracket - Shelf (LH) (HWS2)..... | 1 |
| 17 | 00-333243 | Bracket - Shelf (LH) (HWS1)..... | 1 |



SIDE SHELF & PRINTER SUPPORT

SIDE SHELF & PRINTER SUPPORT

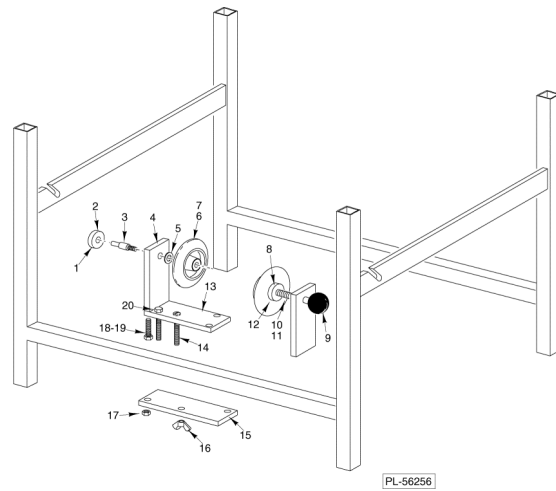
| ILLUS. | PART NO. | NAME OF PART | AMT. |
|--------|-----------|--|------|
| 1 | 00-333244 | Shelf - Side..... | 1 |
| 2 | SC-010-16 | Mach. Screw 10-24 x 1/2 Slotted Truss Hd..... | 4 |
| 3 | 00-333697 | Cap - Plug..... | 1 |
| 4 | 00-333684 | Leg - Shelf Support (1 In.) (HWS2)..... | 1 |
| 5 | 00-333690 | Support - Leg Brace (HWS2)..... | 1 |
| 6 | WL-003-39 | Lockwasher 1/4 Light..... | 2 |
| 7 | NS-013-02 | Nut 1/4-20 Hex..... | 2 |
| 8 | 00-333149 | Insert - Leveler (HWS2)..... | 1 |
| 9 | NS-017-16 | Nut - Jam 3/8-16 Hex Hd..... | 1 |
| 10 | 00-333148 | Adjustable Foot (HWS2)..... | 1 |
| 11 | 00-334087 | Bracket - Shelf (LH) (HWS3)..... | 1 |
| 12 | 00-333250 | Bracket - Shelf (LH) (HWS1)..... | 1 |
| 13 | 00-333669 | Bracket - Shelf (LH) (HWS2)..... | 1 |
| 14 | 00-334087 | Bracket - Shelf (LH) (HWS4 ML-44049)..... | 1 |
| 15 | NS-009-22 | Nut 10-24 Hex..... | 4 |
| 16 | WL-008-13 | Lockwasher #10 Internal Shakeproof..... | 4 |
| 17 | WL-003-39 | Lockwasher 1/4 Light..... | 2 |
| 18 | NS-013-02 | Nut 1/4-20 Hex..... | 2 |
| 19 | 00-334100 | Foot - Adjustable (HWS3 & HWS4 ML-44049)..... | 1 |
| 20 | 00-334086 | Leg - Shelf Support (HWS3 & HWS4 ML-44049)..... | 1 |
| 21 | SC-062-57 | Cap Screw 1/4-20 x 2 Hex Hd. (HWS3 & HWS4 ML-44049)..... | 2 |
| 22 | SC-037-84 | Cap Screw 1/4-20 x 11/2 Hex Hd. (HWS2)..... | 2 |
| 23 | 00-334088 | Cap Plug 11/2 In..... | 1 |
| 24 | 00-334746 | Support - Leg Brace (HWS3 & HWS4 ML-44049)..... | 1 |
| 25 | SC-040-91 | Cap Screw 8-32 x 7/8 Soc. Fil. Hd..... | 2 |
| 26 | WL-008-07 | Lockwasher #8 Internal Shakeproof..... | 2 |
| 27 | 00-332956 | Stud - Printer Mounting..... | 2 |
| 28 | NS-013-02 | Nut 1/4-20 Hex..... | 2 |
| 29 | WL-003-39 | Lockwasher 1/4 Light..... | 2 |
| 30 | 00-333955 | Panel - Printer Support (HWS3 & HWS4 ML-44049)..... | 1 |
| 31 | 00-333245 | Panel - Printer Support (HWS1)..... | 1 |
| 32 | 00-333683 | Panel - Printer Support (HWS2)..... | 1 |
| 33 | SC-010-16 | Mach. Screw 10-24 x 1/2 Slotted Truss Hd..... | 2 |
| 34 | WL-008-13 | Lockwasher #10 Internal Shakeproof..... | 2 |
| 35 | NS-009-22 | Nut 10-24 Hex..... | 2 |
| 36 | SC-010-16 | Mach. Screw 10-24 x 1/2 Slotted Truss Hd..... | 2 |
| 37 | NS-013-02 | Nut 1/4-20 Hex..... | 2 |
| 38 | WL-003-39 | Lockwasher 1/4 Light..... | 2 |
| 39 | 00-333960 | Shield - Printer (HWS3 & HWS4 ML-44049)..... | 1 |
| 40 | 00-333391 | Shield - Printer (HWS1 & HWS2)..... | 1 |
| 41 | 00-334101 | Gusset - Support (HWS3 & HWS4 ML-44049)..... | 2 |
| 42 | WL-008-13 | Lockwasher #10 Internal Shakeproof..... | 4 |
| 43 | NS-009-22 | Nut 10-24 Hex..... | 4 |



PACKAGE REST KIT (HWS4 ML-44113 & HWS4C ML-44225)

PACKAGE REST KIT (HWS4 ML-44113 & HWS4C ML-44225)

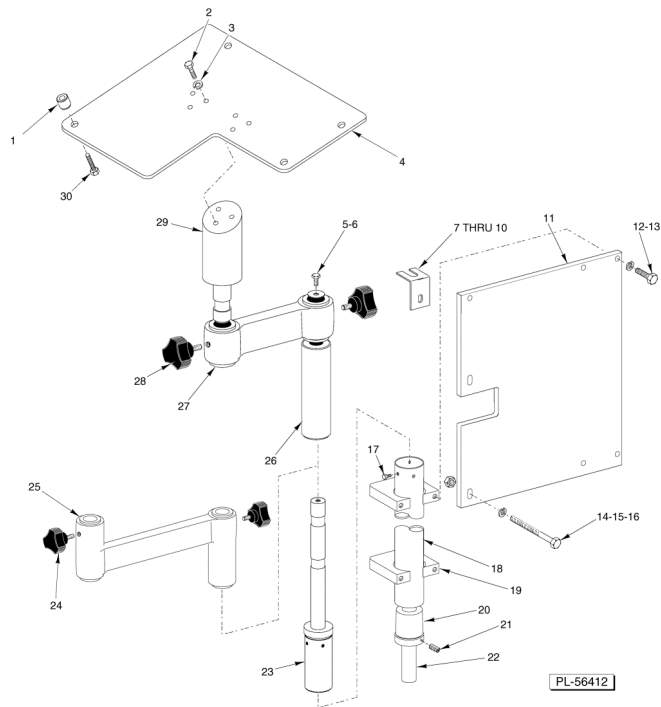
| ILLUS. | PART NO. | NAME OF PART | AMT. |
|----------|-----------|---|------|
| PL-56255 | | | |
| 1 | SC-041-05 | Cap Screw 1/4-20 x 5/8 Hex Hd..... | 2 |
| 2 | WL-006-17 | Lockwasher 1/4..... | 2 |
| 3 | 00-442049 | Plug - Tube Guide..... | 2 |
| 4 | 00-442050 | Housing - Spring..... | 2 |
| 5 | SD-036-01 | Self-Tapping Screw 6-20 x 1/4 Phil. Pan Hd., Type AB (Zinc Plated)..... | 4 |
| 6 | 00-442052 | Spring - Compression Large..... | 2 |
| 7 | 00-442047 | Spring - Guide Assy..... | 2 |
| 8 | 00-442051 | Spring - Compression Small..... | 2 |
| 9 | 00-442046 | Guide - Tube..... | 2 |
| 10 | 00-442048 | Collar - Shaft (Zinc Plated)..... | 2 |
| 11 | 00-442053 | Plug - Tube Guide..... | 2 |
| 12 | 00-442043 | Rod - Package Rest..... | 1 |
| 13 | SC-093-03 | Mach. Screw 8-32 x 3/8 Pan Hd..... | 2 |
| 14 | WL-006-02 | Lockwasher #8..... | 2 |
| 15 | NS-044-07 | Nut 8-32 KEPS..... | 2 |
| 16 | 00-442353 | Fastener - Quick-Release..... | 1 |
| | 00-441566 | Kit - Package Rest (Incls. Items 1 thru 16)..... | 1 |



OVERLAY DISPENSER UNIT

OVERLAY DISPENSER UNIT

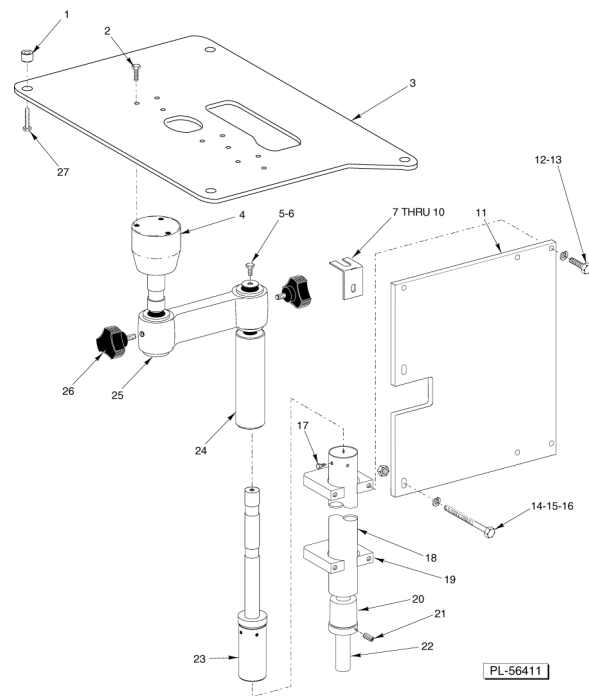
| ILLUS. | PART NO. | NAME OF PART | AMT. |
|----------|-----------|--|------|
| PL-56256 | | | |
| 1 | 00-086710 | Collar Assy. (Incls. Item 2)..... | 1 |
| 2 | SC-075-10 | Set Screw 1/4-20 x 3/16 Soc. Hdls., Cup Pt..... | 1 |
| 3 | 00-333079 | Shaft..... | 1 |
| 4 | 00-333081 | Bearing Assy..... | 2 |
| 5 | WS-018-30 | Washer..... | 2 |
| 6 | NS-017-08 | Jam Nut 5/16-18 Hex..... | 2 |
| 7 | 00-333082 | Spool..... | 2 |
| 8 | SC-075-10 | Set Screw 1/4-20 x 3/16 Soc. Hdls., Cup Pt..... | 1 |
| 9 | 00-060468 | Knob - Gear Shift..... | 1 |
| 10 | 00-333083 | Spring..... | 1 |
| 11 | 00-333080 | Shaft..... | 1 |
| 12 | 00-086710 | Collar Assy. (Incls. Item 8)..... | 1 |
| 13 | 00-333085 | Plate - Clamp..... | 1 |
| 14 | SC-081-68 | Mach. Screw 1/4-20 x 2 Rd. Hd..... | 1 |
| 15 | 00-333088 | Plate - Clamp..... | 1 |
| 16 | NS-028-11 | Wing Nut 1/4-20..... | 1 |
| 17 | NS-037-10 | Lock Nut 1/4-20 Special..... | 2 |
| 18 | WL-003-38 | Lockwasher 1/4 Helical..... | 4 |
| 19 | SC-118-19 | Cap Screw 1/4-20 x 3/4 Hex Hd..... | 4 |
| 20 | SC-124-56 | Cap Screw 1/4-20 x 2 Hex Hd..... | 2 |
| | 00-333078 | Overlay Film Assy. (Incls. Items 1 thru 20)..... | 1 |



ULTIMA MOUNTING KIT

ULTIMA MOUNTING KIT

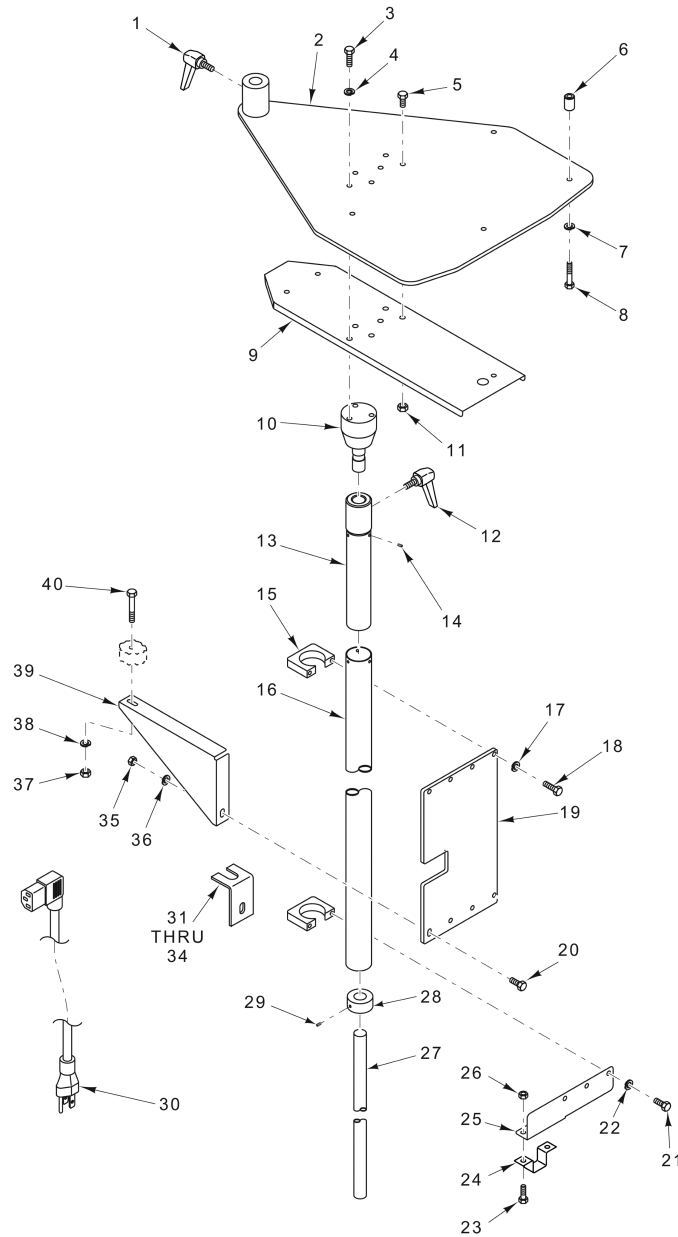
| ILLUS. PL-56412 | PART NO. | NAME OF PART | AMT. |
|--------------------|-----------|---|------|
| 1 | 00-333750 | Spacer Label Head..... | 4 |
| 2 | SC-068-33 | Mach. Screw 10-32 x 1/2 Hex..... | 3 |
| 3 | WL-008-13 | Lockwasher #10 Internal Shakeproof..... | 3 |
| 4 | 00-042571 | Plate - Printer Mount..... | 1 |
| 5 | WS-003-45 | Washer..... | 1 |
| 6 | SC-100-08 | Mach. Screw 1/4-20 x 3/8 Hex Washer Hd., Whiz-Lock..... | 1 |
| 7 | 00-183648 | Clamp..... | 2 |
| 8 | SC-008-10 | Mach. Screw 10-32 x 1/2 Slotted Rd. Hd..... | 2 |
| 9 | NS-009-22 | Nut 10-24 Hex..... | 2 |
| 10 | WL-008-13 | Lockwasher #10 Internal Shakeproof..... | 2 |
| 11 | 00-043651 | Plate - Post Mounting..... | 1 |
| 12 | SC-118-19 | Cap Screw 1/4-20 x 3/4 Hex Hd..... | 4 |
| 13 | WL-003-38 | Lockwasher 1/4 Helical..... | 4 |
| 14 | SC-118-57 | Cap Screw 1/4-20 x 21/2 Hex Hd..... | 2 |
| 15 | WL-003-38 | Lockwasher 1/4 Helical..... | 2 |
| 16 | NS-013-02 | Nut 1/4-20 Hex..... | 2 |
| 17 | SC-116-95 | Mach. Screw 8-32 x 3/8 Hex Hd..... | 3 |
| 18 | 00-043433 | Column Display..... | 1 |
| 19 | 00-254866 | Block - Column..... | 2 |
| 20 | 00-043652 | Bushing - Leg..... | 1 |
| 21 | SC-047-72 | Set Screw 1/4-20 x 3/8 Hex Hdls., Cup Pt..... | 2 |
| 22 | 00-043653 | Leg..... | 1 |
| 23 | 00-043449 | Post Assy. Support..... | 1 |
| 24 | 00-183538 | Knob - Film Centering..... | 2 |
| 25 | 00-043420 | Arm Assy. - Printer Pivot (U2000P3)..... | 1 |
| 26 | 00-043757 | Spacer - Pivot Arm..... | 1 |
| 27 | 00-043421 | Arm Assy. - Printer Pivot (U2000S1/U2000P1)..... | 1 |
| 28 | 00-183538 | Knob - Film Centering..... | 2 |
| 29 | 00-042570 | Pivot Assy. - Printer..... | 1 |
| 30 | SC-121-62 | Mach. Screw 1/4-20 x 1 Hex Washer Hd., Whiz-Lock..... | 4 |
| | 00-184751 | Kit - U2000S1/U2000P1 Post Kit (Incls. Items 1 thru 23 & 26 thru 30)..... | AR |
| | 00-043425 | Kit - U2000P3 (Incls. Items 1 thru 4, 24, 25, 29, & 30)..... | AR |



QUANTUM/HLX MOUNTING KIT

QUANTUM/HLX MOUNTING KIT

| ILLUS. | PART NO. | NAME OF PART | AMT. |
|----------|-----------|---|------|
| PL-56411 | | | |
| 1 | 00-445471 | Spacer - Printer Mounting..... | 4 |
| 2 | SC-121-61 | Mach. Screw 1/4-20 x 5/8 Hex Washer Hd., Whiz-Lock..... | 3 |
| 3 | 00-044821 | Plate - Printer Mount..... | 1 |
| 4 | 00-044829 | Pivot Assy. - Printer..... | 1 |
| 5 | WS-003-45 | Washer..... | 1 |
| 6 | SC-100-08 | Mach. Screw Special 1/4-20 x 3/8 Hex Washer Hd., Whiz-Lock..... | 1 |
| 7 | SC-008-10 | Mach. Screw 10-24 x 1/2 Slotted Rd. Hd..... | 2 |
| 8 | WL-008-13 | Lockwasher #10 Internal Shakeproof..... | 2 |
| 9 | NS-009-22 | Nut 10-24 Hex..... | 2 |
| 10 | 00-183648 | Clamp..... | 2 |
| 11 | 00-043651 | Plate - Post Mounting..... | 1 |
| 12 | SC-118-19 | Cap Screw 1/4-20 x 3/4 Hex Hd..... | 4 |
| 13 | WL-003-38 | Lockwasher 1/4 Helical..... | 4 |
| 14 | SC-118-57 | Cap Screw 1/4-20 x 2 1/2 Hex Hd..... | 2 |
| 15 | WL-003-38 | Lockwasher 1/4 Helical..... | 2 |
| 16 | NS-013-02 | Nut 1/4-20 Hex..... | 2 |
| 17 | SC-116-95 | Mach. Screw 8-32 x 3/8 Hex Hd..... | 3 |
| 18 | 00-043433 | Column - Display..... | 1 |
| 19 | 00-254866 | Block - Column..... | 2 |
| 20 | 00-043652 | Bushing - Leg..... | 1 |
| 21 | SC-047-72 | Set Screw 1/4-20 x 3/8 Hex Hdls., Cup Pt..... | 2 |
| 22 | 00-043653 | Leg..... | 1 |
| 23 | 00-043449 | Post Assy. Support..... | 1 |
| 24 | 00-043757 | Spacer - Pivot Arm..... | 1 |
| 25 | 00-440631 | Arm Assy. - Printer Pivot..... | 1 |
| 26 | 00-183538 | Knob - Film Centering..... | 2 |
| 27 | SC-121-62 | Mach. Screw 1/4-20 x 1 Hex Washer Hd., Whiz-Lock..... | 4 |
| | 00-044832 | Kit - Quantum Post Assy. (Incls. Items 1 thru 27)..... | AR |

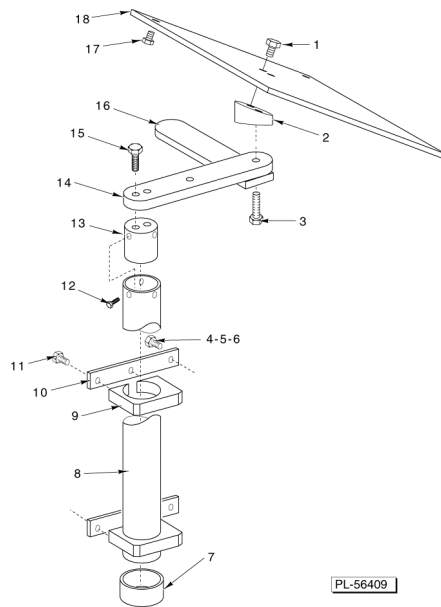


PL-59622

ACCESS MOUNTING KIT

ACCESS MOUNTING KIT

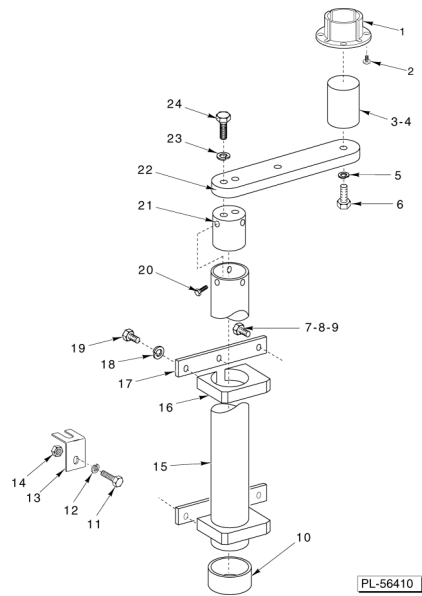
| ILLUS. | PART NO. | NAME OF PART | AMT. |
|--------|-----------------|---|------|
| | PL-59622 | | |
| 1 | 00-442734 | Knob - Console Mount..... | 1 |
| 2 | 00-443478 | Plate Assy. - Printer Mount..... | 1 |
| 3 | SC-118-19 | Cap Screw 1/4-20 x 3/4 Hex Hd..... | 1 |
| 4 | WL-003-38 | Lockwasher 1/4 Helical..... | 1 |
| 5 | SC-123-92 | Mach. Screw 1/4-20 x 5/8 Hex Washer Hd..... | 5 |
| 6 | 00-443459 | Spacer - Printer Mount..... | 1 |
| 7 | WL-003-38 | Lockwasher 1/4 Helical..... | 4 |
| 8 | SC-041-07 | Cap Screw 1/4-20 x 1-1/2 Hex Hd. (SST)..... | 4 |
| 9 | 00-443776 | Bracket - Printer Mount Plate..... | 1 |
| 10 | 00-044829 | Stud Assy. - Printer Pivot..... | 1 |
| 11 | NS-038-04 | Lock Nut 1/4-20 Hex..... | 5 |
| 12 | 00-442734 | Knob - Console Mount..... | 1 |
| 13 | 00-443764 | Post - Support..... | 1 |
| 14 | SC-116-95 | Mach. Screw 8-32 x 3/8 Slotted Hex Hd..... | 1 |
| 15 | 00-254866 | Block - Column..... | 3 |
| 16 | 00-043433 | Column - Display..... | 1 |
| 17 | WL-003-38 | Lockwasher 1/4 Helical..... | 2 |
| 18 | SC-118-19 | Cap Screw 1/4-20 x 3/4 Hex Hd..... | 2 |
| 19 | 00-443768 | Plate - Post Mounting..... | 1 |
| 20 | SC-118-57 | Cap Screw 1/4-20 x 2 1/2 Hex Hd..... | 2 |
| 21 | SC-118-20 | Cap Screw 1/4-20 x 1/2 Hex Hd..... | 2 |
| 22 | WL-003-38 | Lockwasher 1/4 Helical..... | 2 |
| 23 | SC-123-92 | Mach. Screw 1/4-20 x 5/8 Hex Washer Hd..... | 1 |
| 24 | 00-443762 | Bracket - Column Display..... | 1 |
| 25 | 00-443763 | Bracket - Column Display Mount..... | 1 |
| 26 | NS-038-04 | Lock Nut 1/4-20 Hex..... | 5 |
| 27 | 00-043653 | Leg..... | 1 |
| 28 | 00-043652 | Bushing - Leg..... | 1 |
| 29 | SC-047-72 | Set Screw 1/4-20 x 3/8 Hex Hdls., Cup Pt..... | 2 |
| 30 | 00-257200 | Cord - Power..... | 1 |
| 31 | 00-183648 | Clamp..... | 2 |
| 32 | SC-008-10 | Mach. Screw 10-24 x 1/2 Slotted Rd. Hd..... | 2 |
| 33 | WL-008-13 | Lockwasher #10 Internal..... | 2 |
| 34 | NS-009-22 | Nut 10-24 Hex..... | 2 |
| 35 | NS-013-02 | Nut 1/4-20 Hex..... | 2 |
| 36 | WL-003-38 | Lockwasher 1/4 Helical..... | 2 |
| 37 | NS-009-22 | Nut 10-24 Hex..... | 2 |
| 38 | WL-004-40 | Lockwasher #10 Helical..... | 2 |
| 39 | 00-443775 | Brace - Frame..... | 1 |
| 40 | SC-111-29 | Mach. Screw 10-24 x 1 1/2 Phil. Pan Hd..... | 2 |
| | 00-441937-00004 | Cable - USB (3 Ft.)..... | 1 |
| | 00-441419-00003 | Cord - AC (Printer to Console) (3 Ft.)..... | 1 |



18VP/18VPS POST ASSEMBLY

18VP/18VPS POST ASSEMBLY

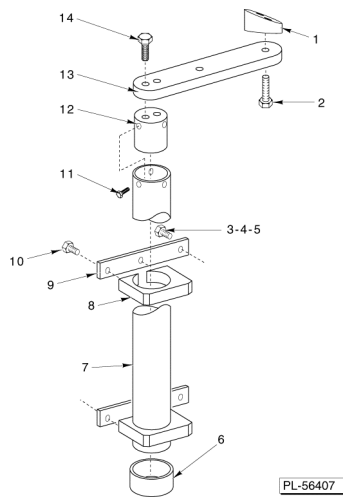
| ILLUS. | PART NO. | NAME OF PART | AMT. |
|----------|-----------|---|------|
| PL-56409 | | | |
| 1 | SC-068-19 | Mach. Screw 10-32 x 1/2 Hex Hd..... | 2 |
| 2 | 00-259050 | Pivot..... | 1 |
| 3 | SC-117-91 | Cap Screw 1/4-20 x 1 Hex Hd..... | 1 |
| 4 | SC-118-57 | Cap Screw 1/4-20 x 2 1/2 Hex Hd..... | 2 |
| 5 | WL-003-39 | Lockwasher 1/4 Light..... | 2 |
| 6 | NS-013-02 | Nut 1/4-20 Hex..... | 2 |
| 7 | 00-183663 | Protector - Cord..... | 1 |
| 8 | 00-258194 | Post - Display..... | 1 |
| 9 | 00-254866 | Block - Post..... | 2 |
| 10 | 00-258506 | Bar - Post Mount..... | 2 |
| 11 | SC-118-19 | Cap Screw 1/4-20 x 3/4 Hex Hd..... | 4 |
| 12 | SC-116-95 | Mach. Screw 8-32 x 3/8 Hex Hd..... | 3 |
| 13 | 00-258146 | Post - Support..... | 1 |
| 14 | 00-183687 | Arm - Support..... | 1 |
| 15 | SC-117-91 | Cap Screw 1/4-20 x 1 Hex Hd..... | 2 |
| 16 | 00-258510 | Guide Liner..... | 1 |
| 17 | SC-116-18 | Cap Screw 8-32 x 1 Hex Hd..... | 2 |
| 18 | 00-258507 | Plate..... | 1 |
| | 00-258505 | Kit - 18VP/18VPS Post Assy. (Incls. Items 1 thru 18)..... | AR |



SP PRINTER MOUNT

SP PRINTER MOUNT

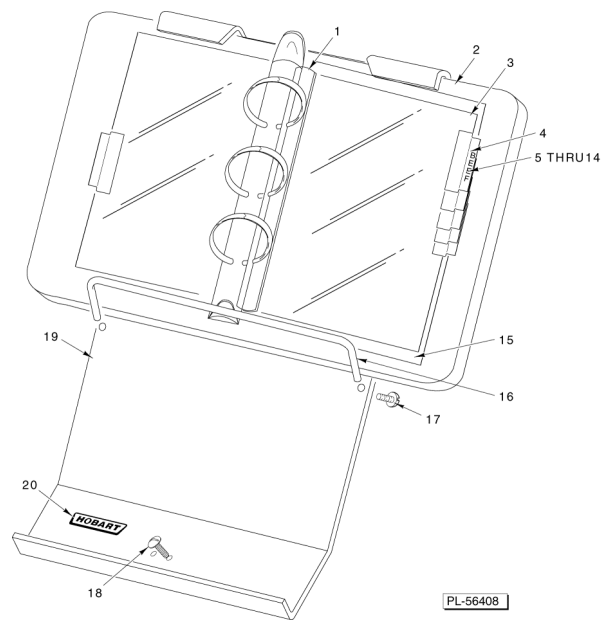
| ILLUS. PL-56410 | PART NO. | NAME OF PART | AMT. |
|--------------------|-----------|---|------|
| 1 | 00-259726 | Ring - Clamp..... | 1 |
| 2 | SC-037-82 | Cap Screw 1/4-20 x 7/8 Hex Hd..... | 3 |
| 3 | 00-183645 | Pivot..... | 1 |
| 4 | RP-005-02 | Roll Pin (0.125 x 0.500)..... | 1 |
| 5 | WL-003-39 | Lockwasher 1/4 Light..... | 1 |
| 6 | SC-117-91 | Cap Screw 1/4-20 x 1 Hex Hd..... | 1 |
| 7 | WL-003-39 | Lockwasher 1/4 Light..... | 2 |
| 8 | SC-118-57 | Cap Screw 1/4-20 x 2 1/2 Hex Hd..... | 2 |
| 9 | NS-013-02 | Nut 1/4-20 Hex..... | 2 |
| 10 | 00-183663 | Protector Cord..... | 1 |
| 11 | SC-008-10 | Mach. Screw 10-24 x 1/2 Slotted Rd. Hd..... | 2 |
| 12 | WL-008-13 | Lockwasher #10 Internal Shakeproof..... | 2 |
| 13 | 00-183648 | Clamp..... | 2 |
| 14 | NS-009-22 | Nut 10-24 Hex..... | 2 |
| 15 | 00-258194 | Post - Display..... | 1 |
| 16 | 00-254866 | Block - Post..... | 2 |
| 17 | 00-258506 | Bar - Post Mount..... | 2 |
| 18 | WL-003-39 | Lockwasher 1/4 Light..... | 4 |
| 19 | SC-118-19 | Cap Screw 1/4-20 x 3/4 Hex Hd..... | 4 |
| 20 | SC-116-95 | Mach. Screw 8-32 x 3/8 Hex Hd..... | 3 |
| 21 | 00-258146 | Post - Support..... | 1 |
| 22 | 00-183687 | Arm - Support..... | 1 |
| 23 | WL-003-39 | Lockwasher 1/4 Light..... | 2 |
| 24 | SC-117-91 | Cap Screw 1/4-20 x 1 Hex Hd..... | 2 |
| | 00-183689 | Kit - Scale/Printer Installation..... | 1 |



LIBRARY SUPPORT - POST ASSEMBLY

LIBRARY SUPPORT - POST ASSEMBLY

| ILLUS. | PART NO. | NAME OF PART | AMT. |
|----------|-----------|--|------|
| PL-56407 | | | |
| 1 | 00-258026 | Pivot..... | 1 |
| 2 | SC-117-91 | Cap Screw 1/4-20 x 1 Hex Hd..... | 1 |
| 3 | SC-118-57 | Cap Screw 1/4-20 x 2 1/2 Hex Hd..... | 2 |
| 4 | WL-003-39 | Lockwasher 1/4 Light..... | 2 |
| 5 | NS-013-02 | Nut 1/4-20 Hex..... | 2 |
| 6 | 00-183663 | Protector - Cord..... | 1 |
| 7 | 00-258194 | Post - Display..... | 1 |
| 8 | 00-254866 | Block - Post..... | 2 |
| 9 | 00-258506 | Bar - Post Mount..... | 2 |
| 10 | SC-118-19 | Cap Screw 1/4-20 x 3/4 Hex Hd..... | 4 |
| 11 | SC-116-95 | Mach. Screw 8-32 x 3/8 Hex Hd..... | 3 |
| 12 | 00-258146 | Post - Support..... | 1 |
| 13 | 00-183687 | Arm - Support..... | 1 |
| 14 | SC-117-91 | Cap Screw 1/4-20 x 1 Hex Hd..... | 2 |
| | 00-258511 | Look-Up Post Assy. (Incls. Items 1 thru 14)..... | 1 |



PLU LIBRARY

PLU LIBRARY

| ILLUS. | PART NO. | NAME OF PART | AMT. |
|----------|-----------------|---|------|
| PL-56408 | | | |
| 1 | 00-183752 | Strip - Reinforcement..... | 17 |
| 2 | 00-516298 | Binder - 3-Ring..... | 1 |
| 3 | 00-258780 | Insert - Stiffener..... | 17 |
| 4 | 00-258739 | Tab - Index..... | 25 |
| 5 | 00-258738-00001 | Identifier - Page (Veal)..... | 2 |
| 6 | 00-258738-00002 | Identifier - Page (Poultry)..... | 2 |
| 7 | 00-258738-00003 | Identifier - Page (Pork)..... | 3 |
| 8 | 00-258738-00004 | Identifier - Page (Misc.)..... | 2 |
| 9 | 00-258738-00005 | Identifier - Page (Operating Inst.)..... | 1 |
| 10 | 00-258738-00006 | Identifier - Page (Beef)..... | 3 |
| 11 | 00-258738-00007 | Identifier - Page (Lamb)..... | 2 |
| 12 | 00-258738-00008 | Identifier - Page (Seafood)..... | 2 |
| 13 | 00-258738-00009 | Identifier - Page (Cheese)..... | 2 |
| 14 | 00-258738-00010 | Identifier - Page (Produce)..... | 2 |
| 15 | 00-183763 | Protector Sheet (Incls. Item 1)..... | 17 |
| 16 | 00-258762 | Rod - Support..... | 1 |
| 17 | SC-112-42 | Mach. Screw 6-32 x 1/2 Phil. Pan Hd..... | 2 |
| 18 | SC-110-97 | Mach. Screw 10-32 x 1/2 Truss Hd..... | 3 |
| 19 | 00-183905 | Plate - Library..... | 1 |
| 20 | 00-076971 | Logo - Hobart..... | 1 |
| | 00-183912 | PLU Library Assy. (Incls. Items 1 thru 20)..... | 1 |

THERE IS NO
GRAPHIC
FOR THIS
PARTS LIST

MISCELLANEOUS

MISCELLANEOUS

| ILLUS. | PART NO. | NAME OF PART | AMT. |
|----------|-----------------|-------------------------------------|------|
| PL-55654 | | | |
| 1 | 00-334289 | Terminal - Spade 1/4 (Hi-Temp)..... | AR |
| 2 | 00-086951 | Terminal - Ring #8 (Hi-Temp)..... | AR |
| 3 | 00-127691 | Terminal - Ring #10 (Hi-Temp)..... | AR |
| 4 | 00-444559-00001 | Wire 16 Ga. (Hi-Temp)..... | AR |

MODELS HWS1, HWS2, HWS3, HWS4, HWS4C HWS (HAND WRAP STATIONS) (ML's 44225, 26395, 26396, 44026, 44049, 44113)
REPLACEMENT PARTS
