



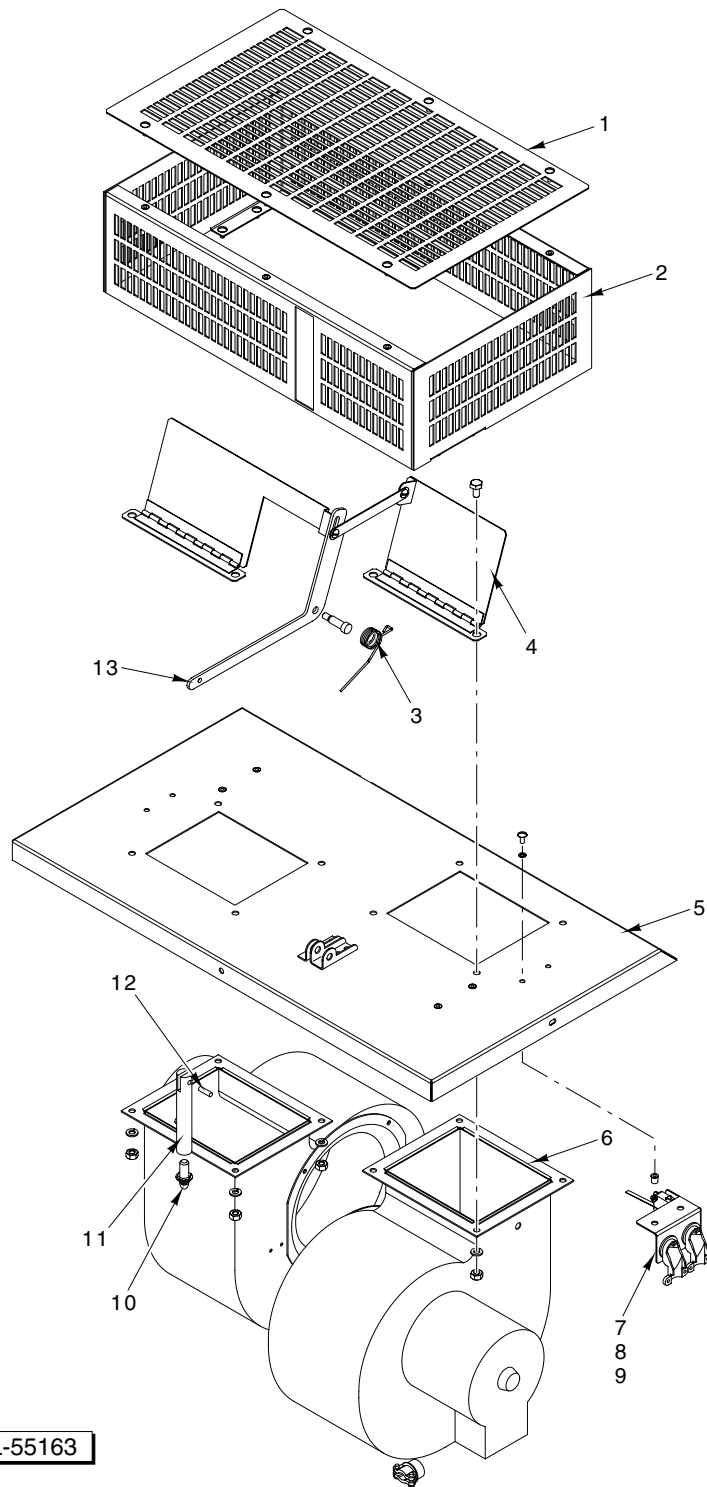
CATALOG OF

REPLACEMENT PARTS

STAND ALONE HOOD

HVH23

ML-126808



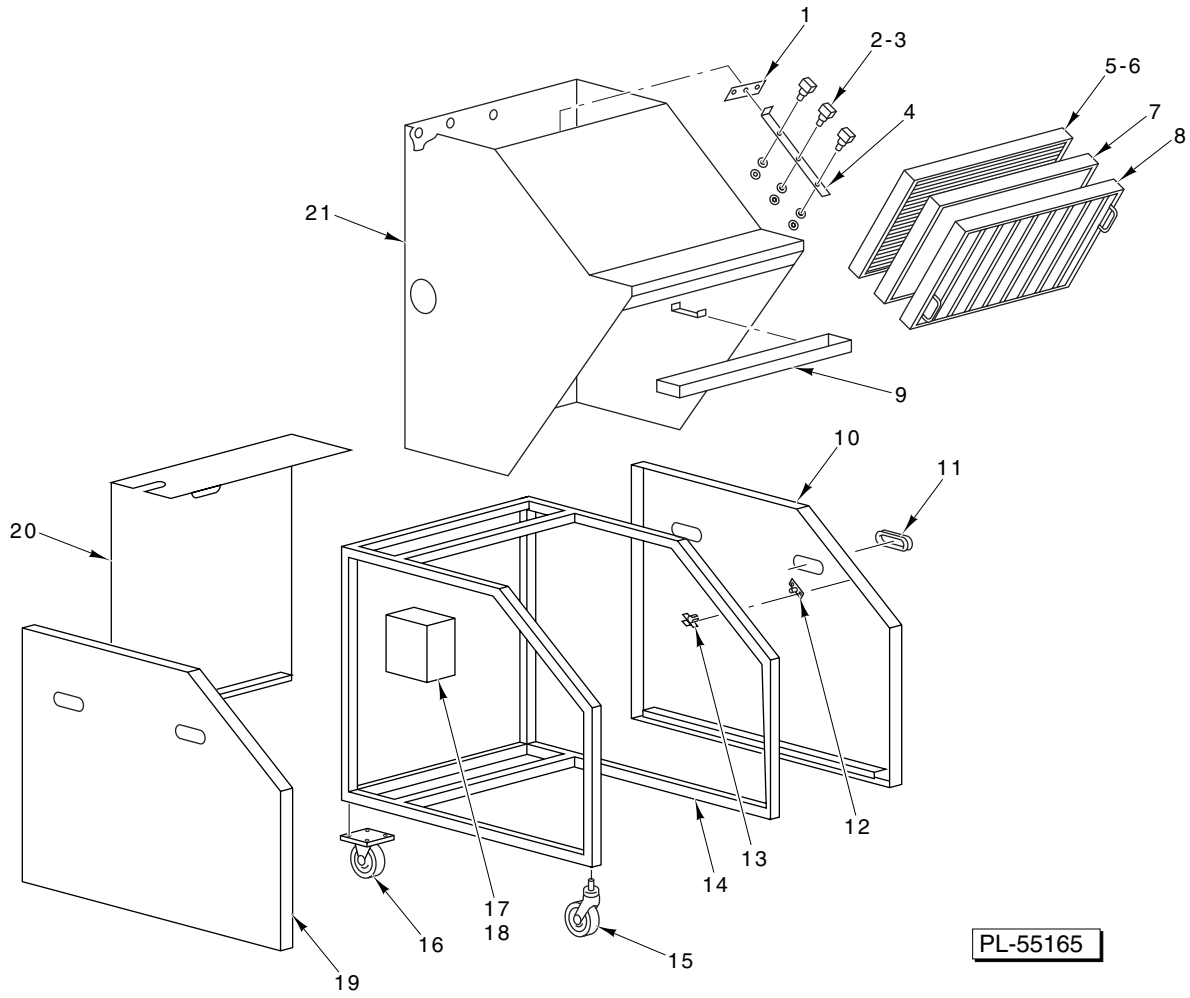
BLOWER AND EXHAUST UNIT

BLOWER AND EXHAUST UNIT

ILLUS. PL-55163	PART NO.	NAME OF PART	AMT.
1	00-360853-00202	Guard – Top Blower	1
2	00-360853-00203	Guard – Housing Blower	1
3	00-360853-00204	Spring – Torsion	1
4	00-360853-00205	Damper Assy.	1
5	00-360853-00206	Cap – Hood	1
6	00-360853-00207	Blower (240/50/60 V.)	2
7	00-360853-00224	Switch – Blower Airflow	2
8	00-360853-00225	Actuator – Blower Switch	2
9	00-360853-00226	Bracket – Airflow Switch	2
10	00-360853-00227	Coupler – Damper Actuator	1
11	00-360853-00228	Shaft – Damper Actuator	1
12	00-360853-00229	Pin – Pivot	1
13	00-360853-00230	Arm – Damper Actuator	1
	00-360853-00234	Switch – On/Off	1
	00-360853-00218	Contactator – 3 Pole	1

FIRE EXTINGUISHER UNIT

ILLUS. PL-55164	PART NO.	NAME OF PART	AMT.
1	00-360853-00233	Box – Relay Base	1
2	00-360853-00231	Board – Hood Control	1
3	00-360853-00232	Box – Relay Cover	1
4	00-360853-00222	Switch – Pressure	1
5	00-360853-00223	Hose – Pressure	1



PL-55165

FRAME, PANELS, AND FILTER

FRAME, PANELS, AND FILTER

ILLUS. PL-55165	PART NO.	NAME OF PART	AMT.
1	00-360853-00134	Panel – Switch Access	1
2	00-360853-00129	Switch – Filter Interlock	3
3	00-360853-00130	Actuator – Filter Switch	3
4	00-360853-00131	Bracket – Interlock	1
5	00-360853-00009	Filter – Refillable Charcoal	1
6	00-360853-00208	Filter – Charcoal Refill Media	AR
7	00-360853-00008	Filter – Air	1
8	00-360853-00007	Filter – Grease	1
9	00-360853-00209	Cup – Grease	1
10	00-360853-00210	Panel – Left Splash	1
11	00-360853-00211	Handle – Plastic	5
12	00-360853-00212	Latch – Splash Panel	4
13	00-360853-00213	Catch – Splash Panel	4
14	00-360853-00214	Frame	1
15	00-360853-00215	Caster – Locking Swivel	2
16	00-360853-00216	Caster – Rigid	2
17	00-360853-00217	Box – Electrical	1
18	00-360853-00089	Relay – 240 VAC	2
19	00-360853-00219	Panel – Right Splash	1
20	00-360853-00220	Panel – Rear	1
21	00-360853-00221	Hood	1

