

# INSTRUCTIONS

## MODEL HVH23 STAND-ALONE EXHAUST HOOD

### MODELS

HVH23

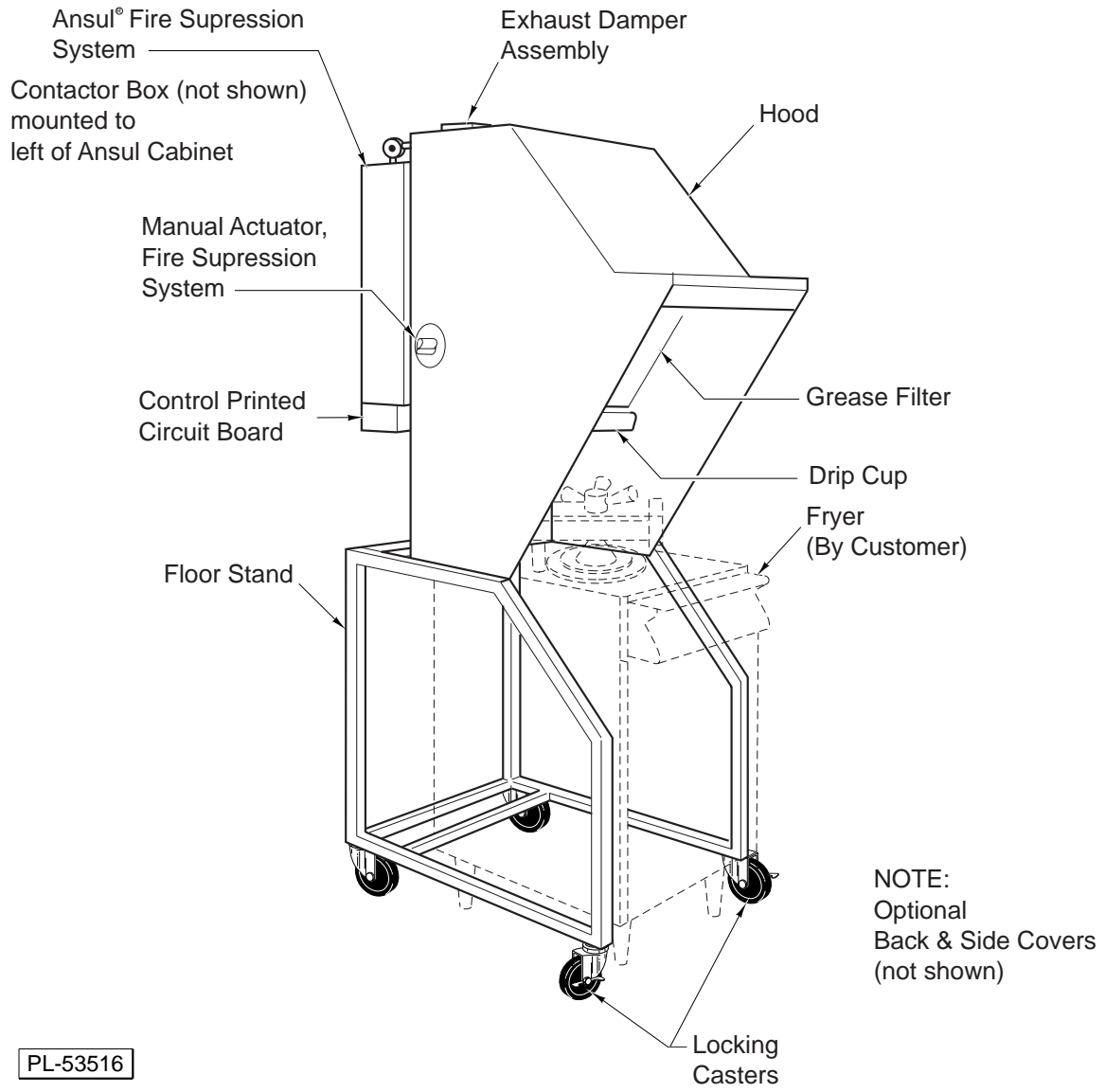
ML-126808



701 S. RIDGE AVENUE  
TROY, OHIO 45374-0001

937 332-3000

[www.hobartcorp.com](http://www.hobartcorp.com)



**MODEL HVH23 STAND-ALONE EXHAUST HOOD**

# INSTALLATION, OPERATION AND CARE OF MODEL HVH23 STAND-ALONE EXHAUST HOOD

PLEASE KEEP THIS MANUAL FOR FUTURE USE

## GENERAL

Hobart Model HVH23 Stand-Alone Exhaust Hood includes a non-vented exhaust fan with three-stage air filtration system and an ANSUL® Fire Suppression System. It enables users of pressure fryers and deep fryers to operate their fryer in a location without an externally-exhausted ventilation hood and wall-mounted fire suppression system.

The exhaust hood is designed to accommodate fryers which hold up to a maximum of 85 pounds of oil (470 square inch vat area) and are supplied with 24 kW of power. Interconnection to the hood's contactor box provides fire suppression interlock switching of the fryer's power input.

The three-stage filtration system removes oil particles, steam and condensation, and most cooking odors from the exhaust air.

The ANSUL® Fire Suppression System actuates automatically if the temperature below the hood exceeds 165°F (74°C), or can be manually triggered by the operator. In either case, fryer operation will be disabled. A damper at the blower outlet will close automatically to restrict air flow to the fire.

Safety interlocks disable operation of the fryer if (a) the fire suppression system is not charged and cocked; (b) one or more filters are missing or incorrectly installed; and (c) the exhaust blowers are not operating. Indicator lights aid troubleshooting by pinpointing open interlock switches.

Hobart exhaust hoods are produced with quality workmanship and material. Proper installation, usage and maintenance of your exhaust hood will result in many years of satisfactory performance.

It is suggested that you thoroughly read this entire manual and carefully follow all of the instructions provided.

## INSTALLATION

Before installing, verify that the electrical service agrees with the specifications on the rating plate located on the left side of the hood by the ANSUL® manual pull. If the supply and equipment requirements do not agree, do not proceed with the installation. Contact Hobart Corporation immediately.

### UNPACKING

Immediately after unpacking, check for possible shipping damage. If the exhaust hood is found to be damaged, save the packaging material and contact the carrier within 15 days of delivery.

Carefully unpack exhaust hood and place in a work-accessible area as near to its final installed position as possible.

Locate and identify the following components:

1. Hood and Fire Suppression System
2. Floor Stand and Contactor Box\*
3. ANSULEX® Fire Suppressant, 1.5 gallon
4. Drip Cup
5. Grease Filter
6. Air Filter
7. Refillable Charcoal Filter
- \* Back Cover, Right Side Cover, Left Side Cover (optional)

## **LOCATION**

The installation location must allow adequate clearances for servicing and proper operation. Minimum clearance at the right side and the rear of the unit is 0". A minimum clearance of 30" (76 cm) is required on the left side of the exhaust hood to permit operation of the manual actuator of the fire suppression system.

## **INSTALLATION CODES AND STANDARDS**

The ventless exhaust hood and fire suppression system meets NFPA Standard #96, Vapor Removal from Cooking Equipment, without requiring a separate exhaust hood. The exhaust hood must be installed in accordance with:

### **In the United States of America:**

1. State and local codes.
2. National Electrical Code, ANSI/NFPA-70 (latest edition). Copies may be obtained from The National Fire Protection Association, Batterymarch Park, Quincy, MA 02269.

### **In Canada:**

1. Local codes.
2. Canadian Electric Code, CSA C22.1 (latest edition). Copies may be obtained from The Canadian Standard Association, 178 Rexdale Blvd., Etobicoke, Ontario, Canada M9W 1R3. (*electric equipment*)

## **ASSEMBLY**

The exhaust hood is shipped in two pieces. Attach the hood to the frame as shown on page 2. The hood mounting screws will be found in the tapped holes in the floor stand.

Push the fryer beneath the hood. Lock casters or set leveling feet as required.

## **POSITIONING HOOD FILTERS**

The three hood filters must be in their proper positions or your appliance will not function. Fig. 1 shows the long, welded pins (3 on the right and 3 on the left) against which the filters rest. Directly behind the pins on the left side are three shorter filter actuator switch pins which push in and out. Each filter must be placed so that it pushes its filter actuator switch pin in or your appliance will not operate.

Remove the plastic cover from the Charcoal Filter. The Charcoal Filter goes to the rear of the hood. Notice (Fig. 2) that the actuator pin is pushed in and the filter is resting against the last set of welded pins.

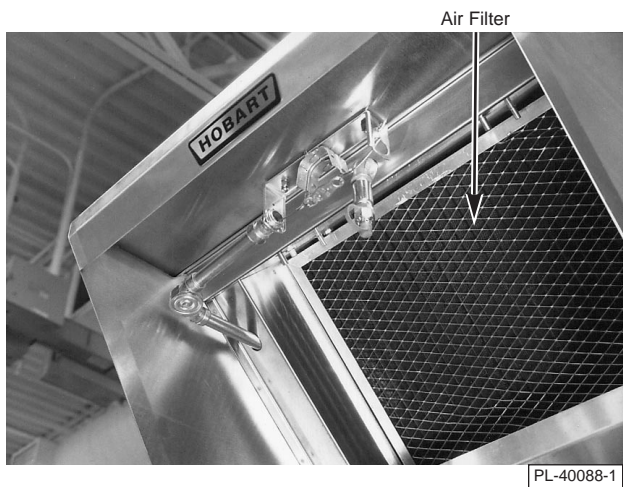


**Fig. 1**

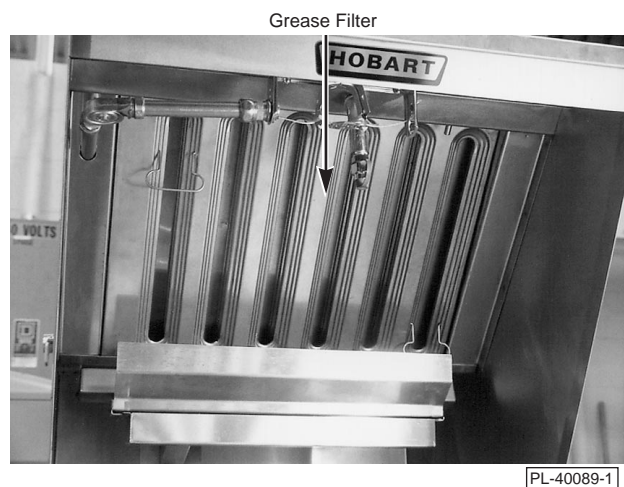


**Fig. 2**

The Air Filter is installed next (Fig. 3), and the Grease Filter is installed last at the front of the hood (Fig. 4).



**Fig. 3**



**Fig. 4**

Insertion and removal of the filters is described in the CLEANING section of this manual.

The optional back and side covers may be installed at this time. Install first the back cover and then the two side covers. The overhanging lips of the side covers will secure the back cover; snap catches will secure the side covers to the floor stand.

## **ELECTRICAL CONNECTIONS**

**WARNING:** ELECTRICAL AND GROUNDING CONNECTIONS MUST COMPLY WITH THE APPLICABLE PORTIONS OF THE NATIONAL ELECTRICAL CODE AND/OR OTHER LOCAL ELECTRICAL CODES.

**WARNING:** DISCONNECT ELECTRICAL POWER SUPPLY AND PLACE A TAG AT THE DISCONNECT SWITCH TO INDICATE YOU ARE WORKING ON THE CIRCUIT.

**WARNING:** APPLIANCES EQUIPPED WITH A FLEXIBLE ELECTRIC SUPPLY CORD ARE PROVIDED WITH A THREE-PRONG GROUNDING PLUG. THIS PLUG MUST BE CONNECTED INTO A PROPERLY GROUNDED THREE-PRONG RECEPTACLE. IF THE RECEPTACLE IS NOT THE PROPER GROUNDING TYPE, CONTACT AN ELECTRICIAN. DO NOT REMOVE THE GROUNDING PRONG FROM THIS PLUG.

The wiring diagram is located on the rear of the unit near the contactor box.

Connect the fryer power cord (remove plug if present) to the contactor output (T1, T2, T3 if 3-phase; T1, T2 if single-phase) in the contactor box. Apply power to L1, L2, L3 if 3-phase; L1, L2 if single-phase. Make electrical connections per the wiring diagram and the electrical requirements of the fryer and the hood together. See fryer data plate.

## **FIRE SUPPRESSION SYSTEM**

The ventless exhaust hood includes a fire suppression system manufactured by ANSUL® Fire Protection, 1 Stanton Street, Marinette, Wisconsin 54143. The ANSUL Fire Suppression System must be charged and certified by an authorized ANSUL® Dealer. Hobart Service is not permitted to service the fire suppression system; only an ANSUL® Dealer may properly maintain the fire suppression system. The ANSUL® representative must also adjust the nozzles of the system at the time of charging.

The ANSUL® system must be fully charged and operational for your appliance to be operational.

A separate instruction manual is provided which details the ANSUL® Fire Suppression System.

# OPERATION

**WARNING:** THE EXHAUST HOOD AND ITS PARTS ARE HOT. BE VERY CAREFUL WHEN OPERATING, CLEANING OR SERVICING THE EXHAUST HOOD.

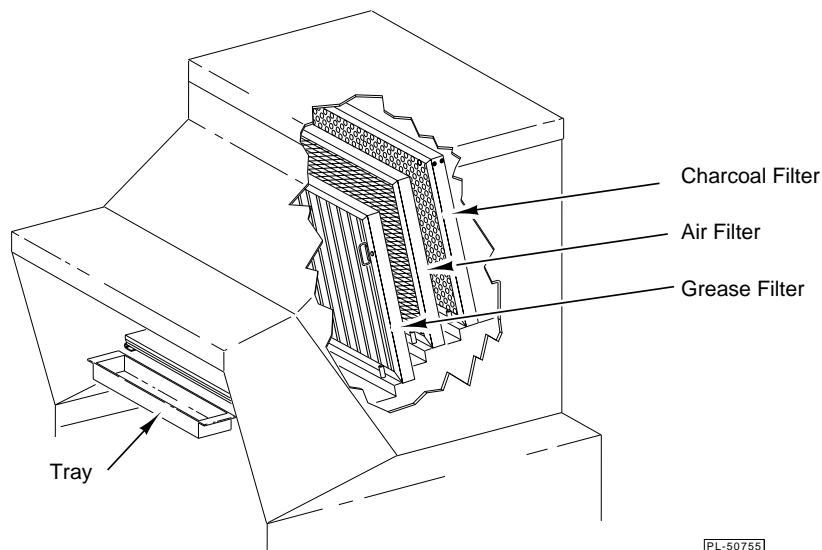
## CONTROLS

- On-Off Switch** — Located on the left side behind the hood pull. Turns power to the exhaust hood on and off. When turned ON, the reset switch must be pressed to start blowers.
- Green Interlock Light** — When lit, indicates that all hood interlock switches are closed and power is applied to the fryer.
- Red ANSUL® Light** — When lit, indicates that the fire suppression system is not cocked and/or charged.
- Red FIP (Filter-In-Place)** — When lit, indicates that one or more filters are not properly installed.
- Sail Light** — When lit, indicates the exhaust blower is not operating and moving an adequate volume of air.
- Reset Pushbutton Switch** — Momentarily overrides the sail switch to allow the exhaust blower to start.

## CLEANING

**WARNING:** DISCONNECT (UNPLUG) ELECTRIC POWER SUPPLY BEFORE CLEANING.

Clean the air filters and hood weekly (Fig. 5)



**Fig. 5**

1. Push in the bottom of the Grease Filter; tilt the top of the filter forward using the handles; and remove the filter. Scrub the Grease Filter in warm soapy water; rinse, drain and towel dry.
2. Push in the bottom of the Air Filter; tilt the top of the filter forward; and remove the filter. Scrub the Air Filter in warm soapy water; rinse, drain and towel dry.

3. Push in the bottom of the Charcoal Filter; tilt the top of the filter forward using the handles; and remove the filter. When the Charcoal Filter needs to be cleaned, it is best to remove the charcoal from the filter. Remove the 4 screws from the filter frame, being careful not to spill the charcoal. Remove the frame end piece. Carefully pour the charcoal from the filter and save it for future re-use, if possible. Replace the frame end piece and 4 screws. Scrub the empty Filter Frame in warm soapy water; rinse, drain and towel dry. Remove the frame end piece again (4 screws). Put the charcoal back in the frame; use either old or new charcoal, as required. Replace the frame end piece and 4 screws.
4. Scrub the hood interior and tray (Fig. 5) with warm soapy water, nylon pad or Scotchbrite as required.
5. Reinstall the Charcoal Filter, the Air Filter, and the Grease Filter. Make sure the filters fit right (see POSITIONING HOOD FILTERS in this manual). **YOUR APPLIANCE WILL NOT OPERATE UNLESS ALL THREE FILTERS ARE PROPERLY INSTALLED.**

Replacement activated charcoal may be purchased from your local Hobart Sales and Service Office. The charcoal used in the charcoal filter is coconut activated charcoal, 4 x 8 mesh. Approximately 9 pounds is required to refill the filter. Recommended replacement schedule is approximately once every four months of normal use.

## TROUBLESHOOTING

If your appliance will not operate:

1. The hood filters may have been incorrectly positioned after cleaning. See POSITIONING HOOD FILTERS in this manual.
2. The fire suppression system is not charged and cocked. Contact your ANSUL<sup>®</sup> Fire Protection Dealer.
3. The exhaust blowers are not operating. Contact your local Hobart service office.