



CATALOG OF REPLACEMENT PARTS

Vacuum Packing Machine

Model
HT-190G

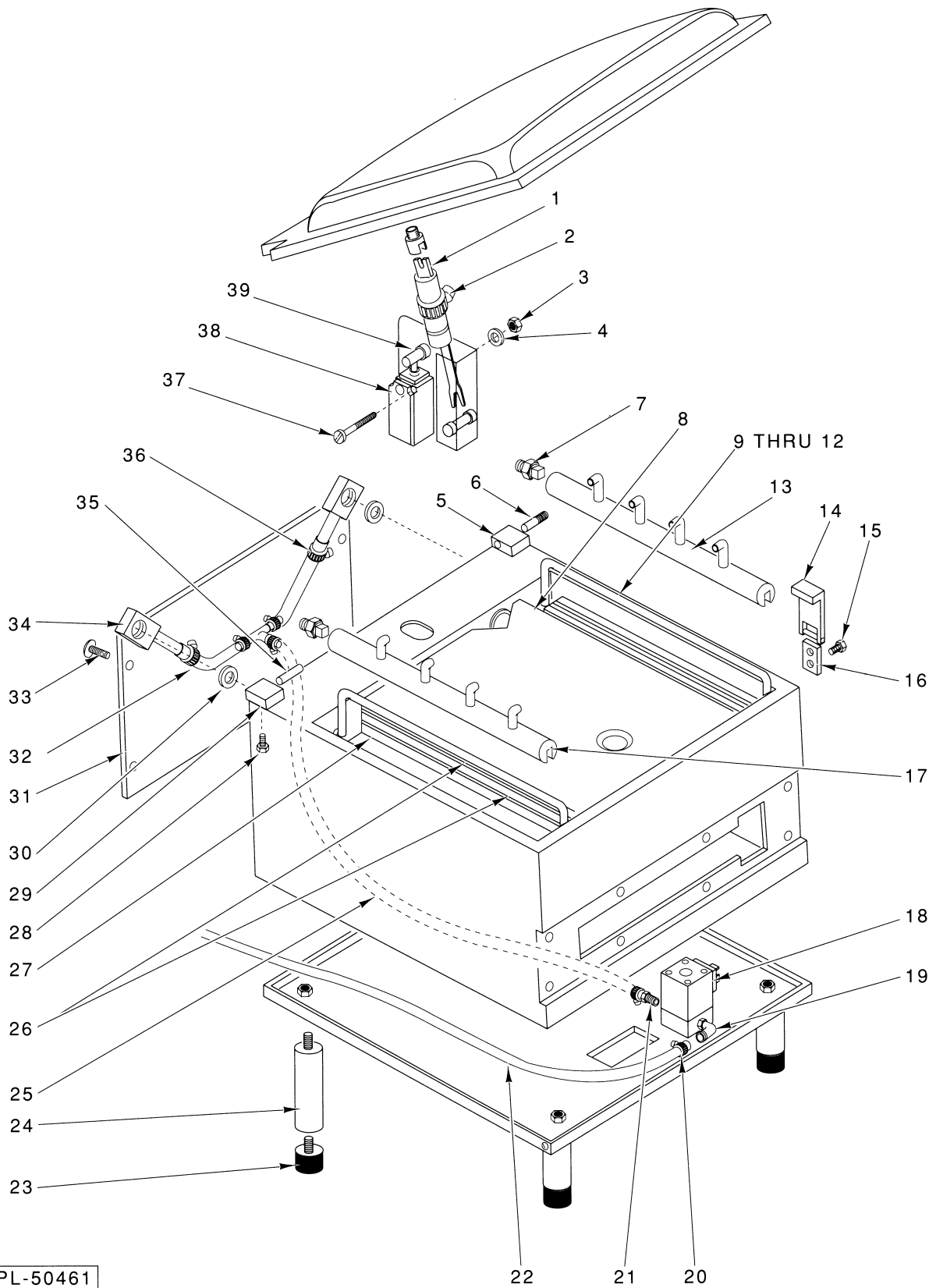
ML-44052



HT190G

TABLE OF CONTENTS

Page	Description
4	Cabinet
6	Pneumatic
7	Vacuum Pump
8	Electrical
10	Control Panel
11	Lid Assembly
12	Sealing Bar



PL-50461

CABINET - HT-190G

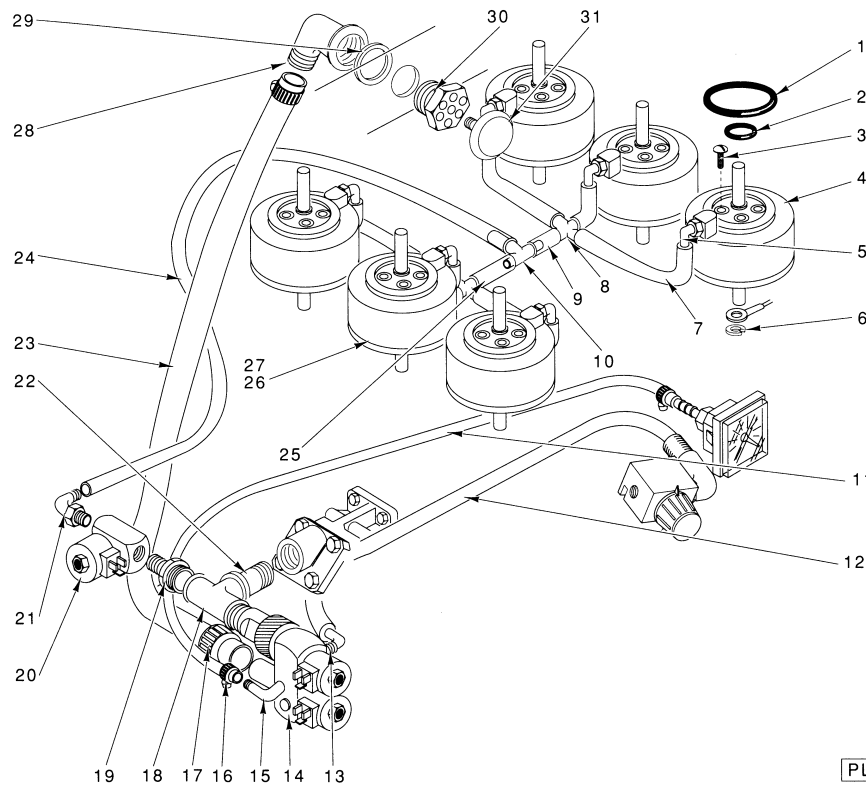
CABINET - HT-190G

ILLUS. PL-50461	PART NO.	NAME OF PART	AMT.
1	32132	Spring - Gas Pressure	1
2	539316	Clamp - Hose	1
3	NS-48-2	Stop Nut m4 SST	2
4	WL-6-1	Lockwasher 8	2
5	32090	Hinge (Right)	1
6	32093	Pin 6 Dia. x 40	1
7	32298	Screw - Hex Hd. (With Hole)	2
8	32376	Inclined Plate Assy. (Incls.Plate,Stop Face & Wing Nut)	1
9	32381	Bar - Hold Down	2
*10	32379	Hold Down Bracket Assy.	4
*11	SC-55-20	Set Screw 8-32 x 1/4 Soc. Hdls. Cup Pt.	8
**12	32361-2	Bar - Hold Down	2
13	32155	Header - Gas (R.H.)	1
14	32076	Latch - Hood Lock	1
15	SC-121-54	Mach. Screw m4 x 0.7 x 16mm Flat Hd.	2
16	32077	Hinge - Hood Lock	1
17	32367	Header - Gas (L.H.)	1
18	32067	Valve - Gas Flush	1
19	32297	Socket - Elbow	1
20	528501	Clamp - Hose	7
21	32351	Socket- Straight	1
22	32066-6	Hose (118.110") (Cut as Needed)	AR
23	32190	Foot - Rubber	5
24	32189	Leg (m8 Thread)	5
25	32066-6	Hose (118.110") (Cut as Needed)	AR
26	32130	Plate - Filler 415 x 490 x 18	2
27	32131	Plate - Filler 390 x 490 x 18	1
28	SC-121-57	Mach. Screw m8 x 1.25 x 10mm Socket Hex Hd.	4
29	32184	Hinge (Left)	1
30	32138	Gasket	2
31	32357	Back Wall Assy.	1
32	32066-6	Hose (118.110") (Cut as Needed)	AR
33	SC-121-52	Mach. Screw m4 x 0.7 x 8mm Truss Hd.	4
34	32334	Connection	2
35	32091	Pin - Straight (Threaded)	1
36	528501	Clamp - Hose	2
37	SC-118-59	Set Screw m4 x 0.7 x 30mm Pan Hd.	2
38	32134	Switch - Limit	1
39	32135	Roller - Limit	1

* Used on Serial Numbers AV-053008 and Earlier Only

** Used on Serial Numbers from AV-053009 on.

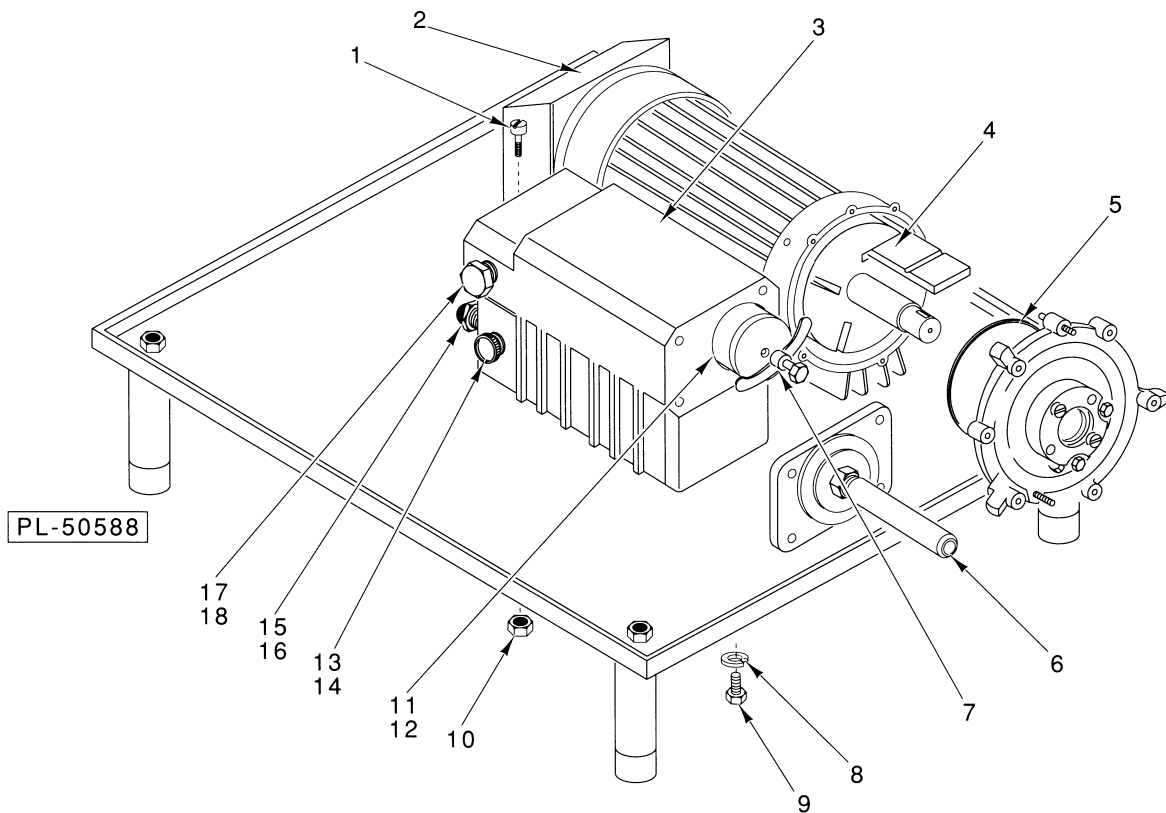
HT-190G REPLACEMENT PARTS



PL-50465

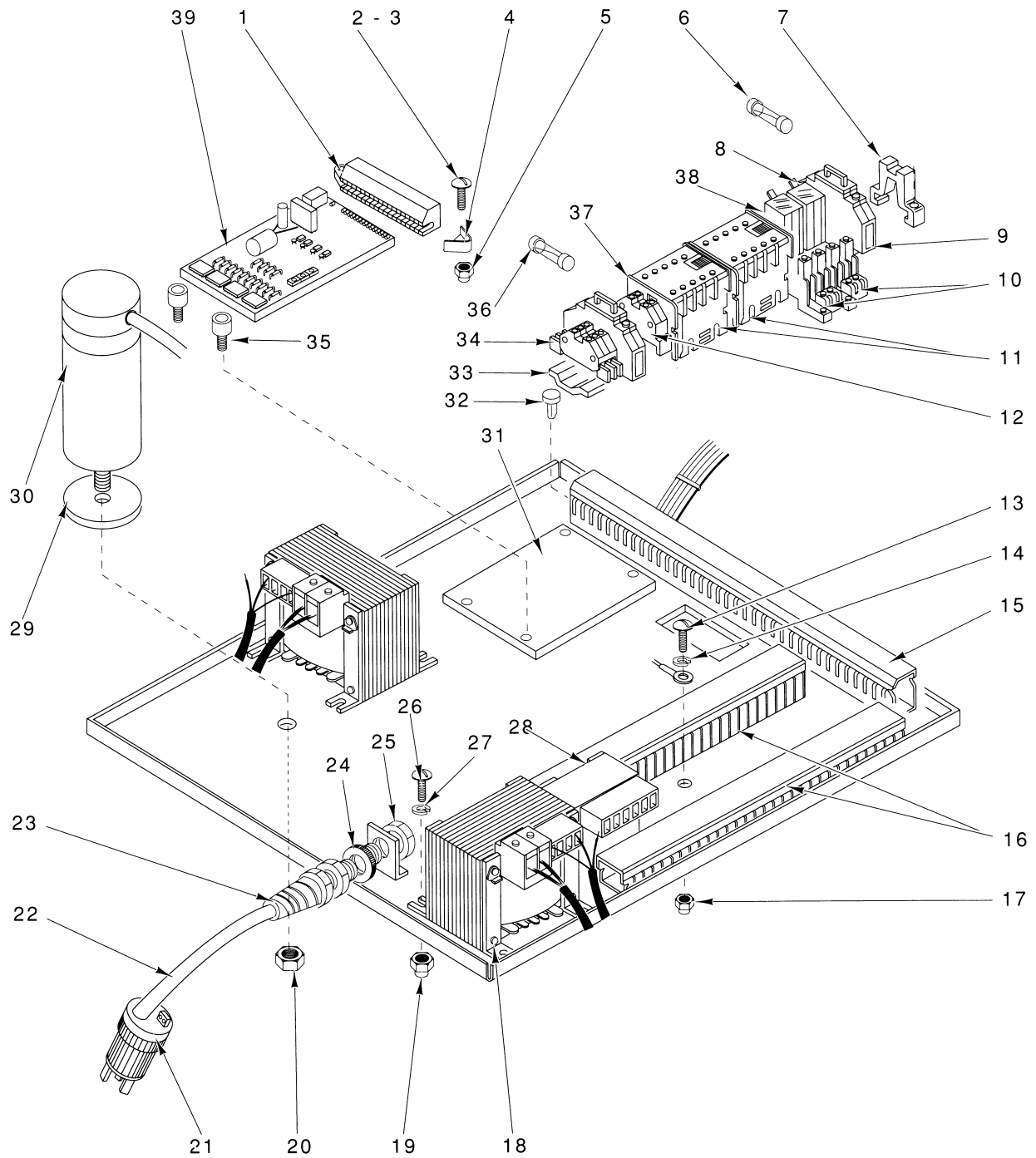
PNEUMATIC - HT-190G

ILLUS. PL-50465	PART NO.	NAME OF PART	AMT.
1	32286	"O" Ring (Use with item 4)	4
2	32119	"O" Ring (Use with items 4 & 26)	6
3	SC-121-53	Mach. Screw m6 x 1.0 x 10mm Truss Hd.	24
4	32205	Cylinder - Vacuum	4
5	32297	Socket - Elbow	6
6	WL-6-1	Lockwasher 8	4
7	32094-7	Hose (47.244") (Cut as Needed)	AR
8	32338	Cross Piece	2
9	32094-7	Hose (47.244") (Cut as Needed)	AR
10	32329	T-Piece (Brass Chrome Plated)	1
11	32094-7	Hose (47.244") (Cut as Needed)	AR
12	32264	Hose (23.622") (Cut as Needed)	AR
13	32305	Socket - Elbow	1
14	32290	Joint - Valve	1
15	32344	Socket - Elbow	1
16	528501	Clamp - Hose	2
17	534177	Clamp - Hose	2
18	32292	T - Piece	1
19	32293	Nipple	1
20	32289	Valve	1
21	32340	Socket - Elbow	1
22	32291	Nipple	1
23	32185-1	Hose (32.283") (Cut as Needed)	AR
24	32094-7	Hose (47.244") (Cut as Needed)	AR
25	32094-7	Hose (47.244") (Cut as Needed)	AR
26	32285	Cylinder - Vacuum	2
27	32120	"O" Ring (Use with item 26)	2
28	32303	Elbow - Reduction	2
29	32079	Washer - Sealing	1
30	32078	Exhaust Piece	1
31	32152	Board - Splash	1



VACUUM CYLINDER - HT - 190G

ILLUS. PL-50588	PART NO.	NAME OF PART	AMT.
1	SC-120-51	Mach. Screw m4 x 0.7 x 10mm Cheese Hd.	2
2	32192	Duct - Air	1
3	32193	Pump - Vacuum	1
4	32406	Vane	3
5	32399	"O" Ring - Endplate	1
6	32302	Exhaust Piece	1
7	32407	Foot	1
8	WL-6-27	Lockwasher 3/8 Light	1
9	SC-120-62	Cap Screw m8 x 1.25 x 12mm Hex Hd.	1
10	NS-48-2	Stop Nut m4 SST	2
11	32398	Filter - Exhaust	1
12	32401	"O" Ring (For Filter)	1
13	32194	Plug - Oil Drain 1/2"	1
14	32411	"O" Ring (For Drain Plug)	1
15	32106	Glass - Sight	1
16	32408	Gasket (For Sight Glass)	1
17	32084	Plug - Oil Refill	1
18	32412	"O" Ring (For Oil Fill Plug)	1

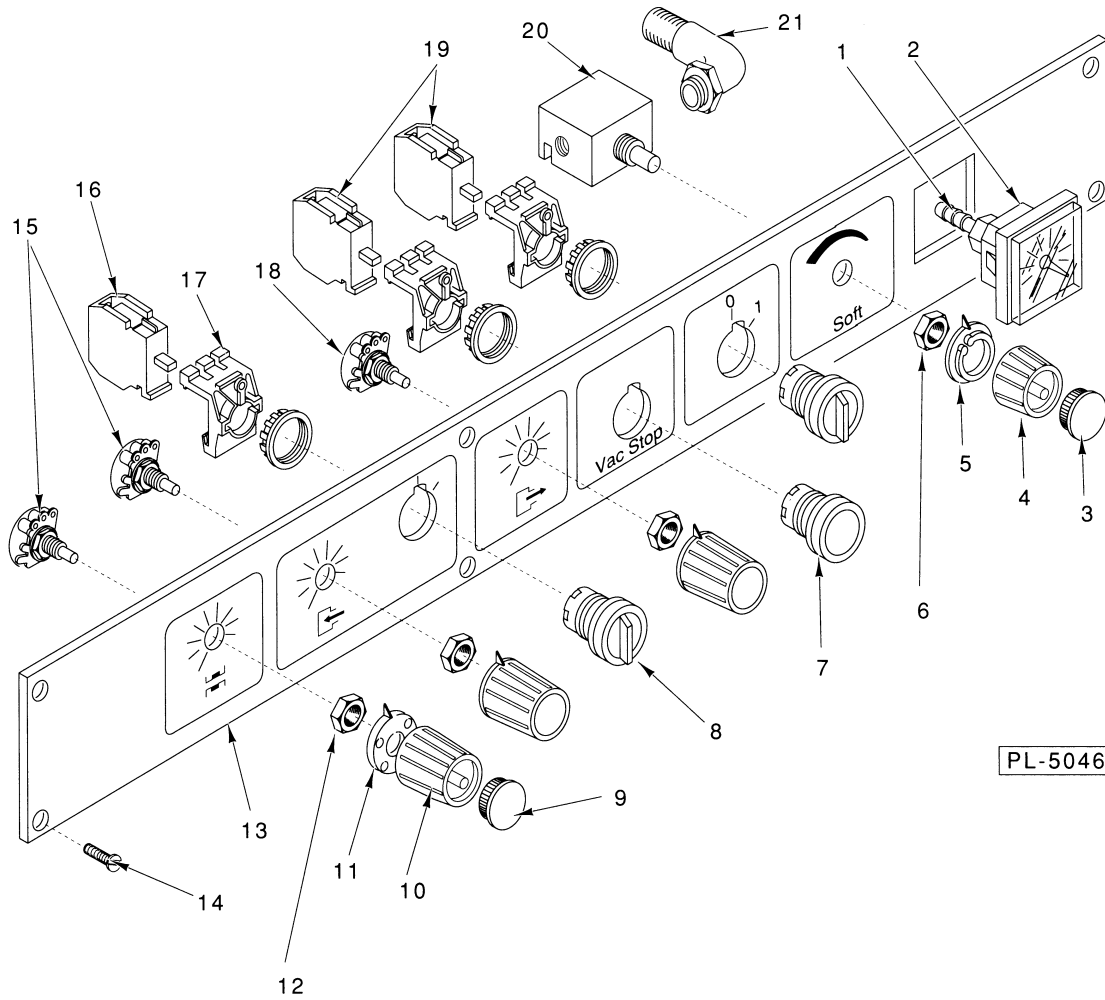


PL-50466

ELECTRICAL - HT - 190G

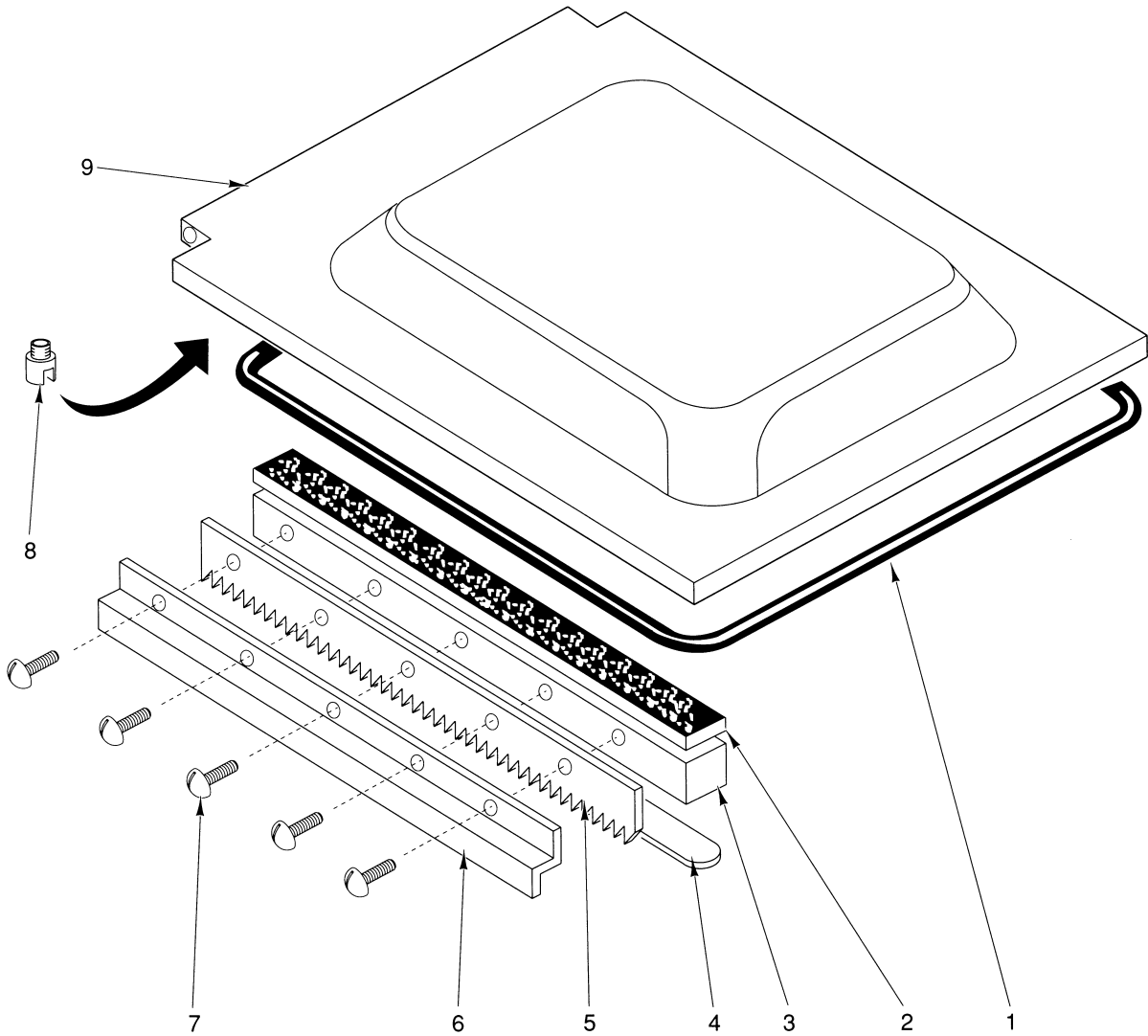
ELECTRICAL - HT - 190G

ILLUS. PL-50466	PART NO.	NAME OF PART	AMT.
1	32107	Socket - Plug-In	1
2	SC-121-65	Mach. Screw m3 x 0.5 x 16mm Cheese Hd.	2
3	WS-30-22	Washer	2
4	32108	Strap - Mounting	2
5	NS-47-47	Full Nut m3 Hex	2
6	32105	Fuse (2A)	1
7	32115	Strap - Mounting	1
8	32202	Strap - Mounting	4
9	32104	Fuseholder	2
10	32101	Socket - Plug-in	2
11	32116	Contactora	2
12	32200	Terminal	2
13	SC-120-51	Mach. Screw m4 x 0.7 x 10mm Cheese Hd.	1
14	WL-6-1	Lockwasher 8	1
15	32267-5	Duct - Cable 30 x 30 x 500	1
16	32267-4	Duct - Cable 30 x 30 x 450	3
17	NS-48-2	Stop Nut m4 SST	1
18	32195	Transformer (110V/24V., 70 VA)	2
19	NS-48-2	Stop Nut m4 SST	22
20	NS-48-5	Stop Nut m12 SST	1
21	32176	Plug (20A, 125V., 1 Ph.)	1
22	32203	Cord - Power	1
23	32073	Relief - Strain	1
24	32072	Ring - Reduction	1
25	32350	Nut - Hex	1
26	SC-120-51	Mach. Screw m4 x 0.7 x 10mm Cheese Hd.	12
27	WS-23-41	Washer	12
28	32198	Transformer (110V./24V., 70A)	1
29	32307	Washer	1
30	32196	Condenser	1
31	32112	Plate - Base	1
32	32268	Rivet - Plastic	9
33	32212	Rail - Mounting	1
34	32114	Terminal - Ground	3
35	32111	Bumper - Rubber	2
36	32113	Fuse (1A)	1
37	32201	Wall - Insulating	1
38	32103	Relay	2
39	32109	Board - PC	1



CONTROL PANEL - HT - 190G

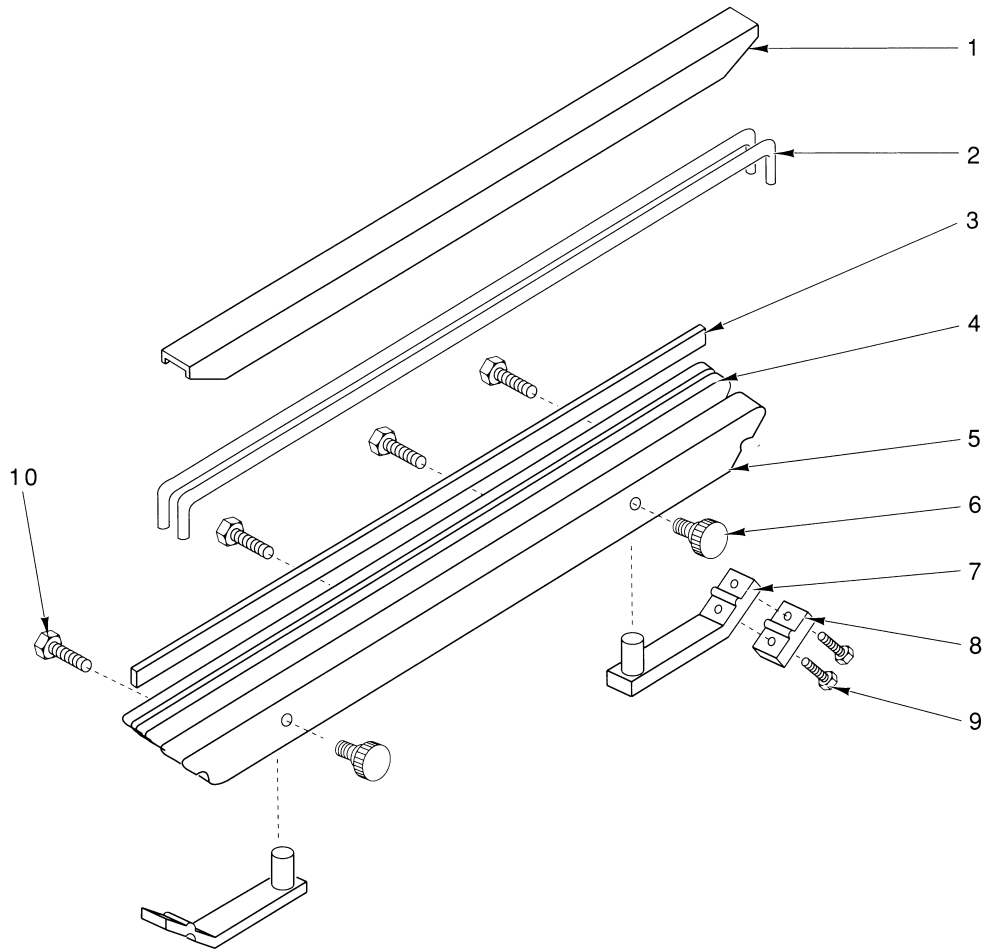
ILLUS. PL-50464	PART NO.	NAME OF PART	AMT.
1	32300	Socket - Straight	1
2	32170	Gauge - Vacuum	1
3	32160	Cap	1
4	32159	Knob	1
5	32161	Disc - Pointer	1
6	NS-47-52	Full Nut M10 Hex	1
7	32167	Pushbutton	1
8	32163	Switch - Selector	2
9	32182	Cap	3
10	32181	Knob	3
11	32180	Disc - Pointer	3
12	32348	Nut m10 Hex	3
13	32179	Board (Aluminum)	1
14	SC-121-52	Mach. Screw m4 x 0.7 x 8mm Truss Hd.	8
15	32158	Potentiometer 470 K-OHM	2
16	32165	Contactora	1
17	32164	Strap - Mounting	3
18	32162	Potentiometer 1 M OHM	1
19	32166	Contactora	2
20	32183	Valve - Throttling	1
21	32340	Socket - Elbow	1



PL-50462

LID ASSEMBLY - HT-190G

ILLUS.	PART NO.	NAME OF PART	AMT.
PL-50462			
1	32059	Gasket (Cut to 86 1/4")	1
2	32060	Strip - Double Adhesive	2
3	32061	Holder - Silicone Strip	2
4	32062	Strip - Silicone	2
5	32063	Knife	2
6	32064	Protection - Knife	2
7	SC-121-52	Mach. Screw m4 x 0.7 x 8mm Truss Hd.	10
8	32065	Bracket - Pressure Spring	1
9	52058	Lid	1
	32057	Lid Assy.(Incls.items 1 thru 9)	1



PL-50463

SEALING BAR - HT-190G

ILLUS. PL-50463	PART NO.	NAME OF PART	AMT.
1	32127	Strip - Teflon (19")	1
2	32126	Rod - Arched	2
3	32129	Strip - Silicone (Red) (19")	1
4	32128	Bar - Phenolic Laminate 30mm x 12mm x 490mm	1
5	32288	Bar - Phenolic Laminate 30mm x 18mm x 490mm	1
6	32301	Screw - Knurled m4 x 6	2
7	32282	Bar - Heat Conveyance (Right & Left)	2
8	32236	Clip	2
9	SC-120-51	Mach. Screw m4 x 0.7 x 10mm Cheese Hd.	4
10	SC-121-60	Mach. Screw m5 x 0.8 x 20mm Truss Hd.	4
	32121	Sealing Bar Assy. (Incls. items 1 thru 10)	1