



CATALOG OF REPLACEMENT PARTS

Vacuum Packing Machine

Models

HT-120
HT-120G

ML-44050
ML-44051

HT-120
HT-120G



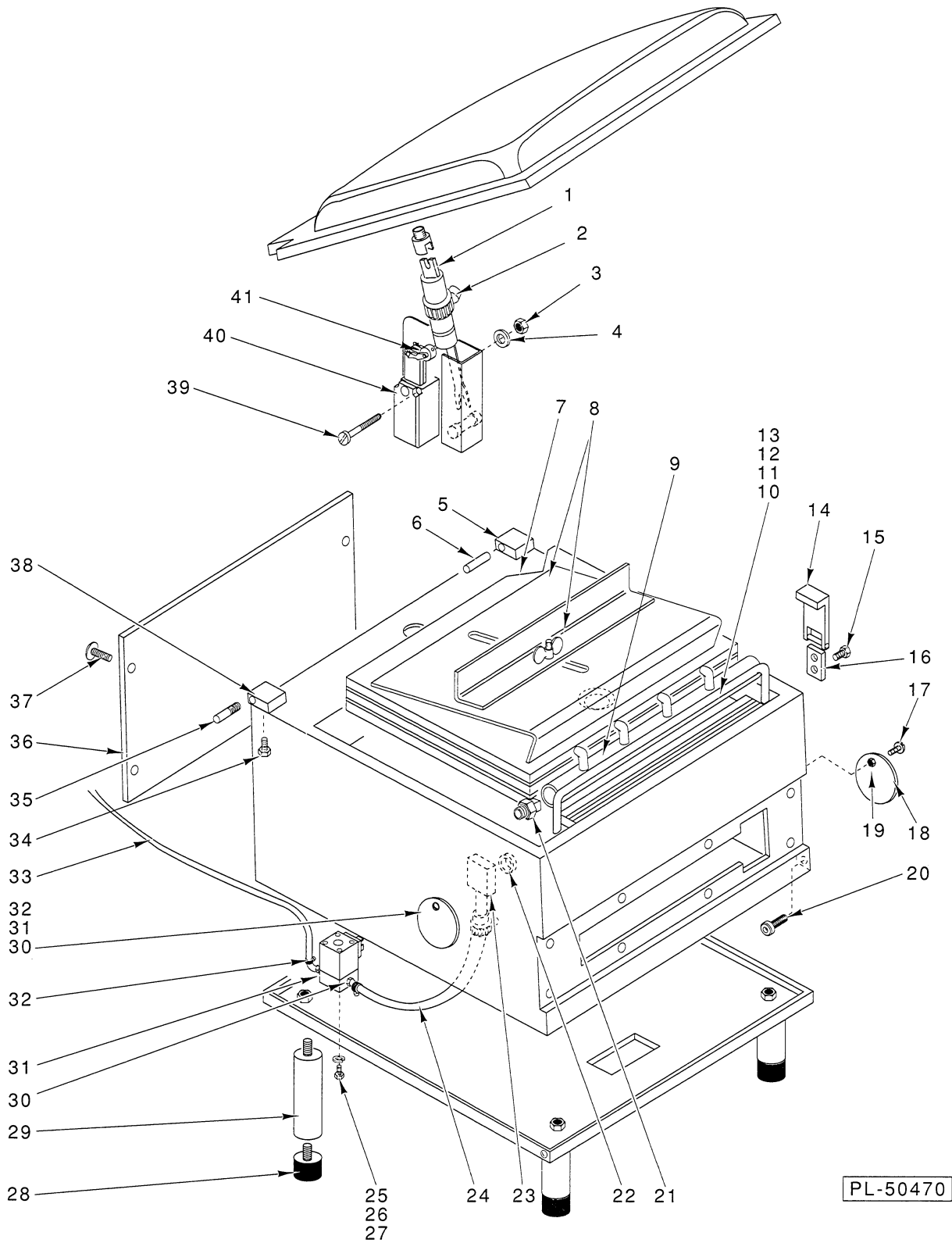
HT120



HT120G

TABLE OF CONTENTS

Page	Description
4	Cabinet - HT-120G
6	Cabinet - HT-120
8	Pneumatic
9	Vacuum Pump
10	Electrical
12	Control Panel - HT-120G
14	Control Panel - HT-120
16	Lid Assembly - HT-120G
17	Lid Assembly - HT-120
18	Sealing Bar - HT-120G
20	Sealing Bar - HT-120



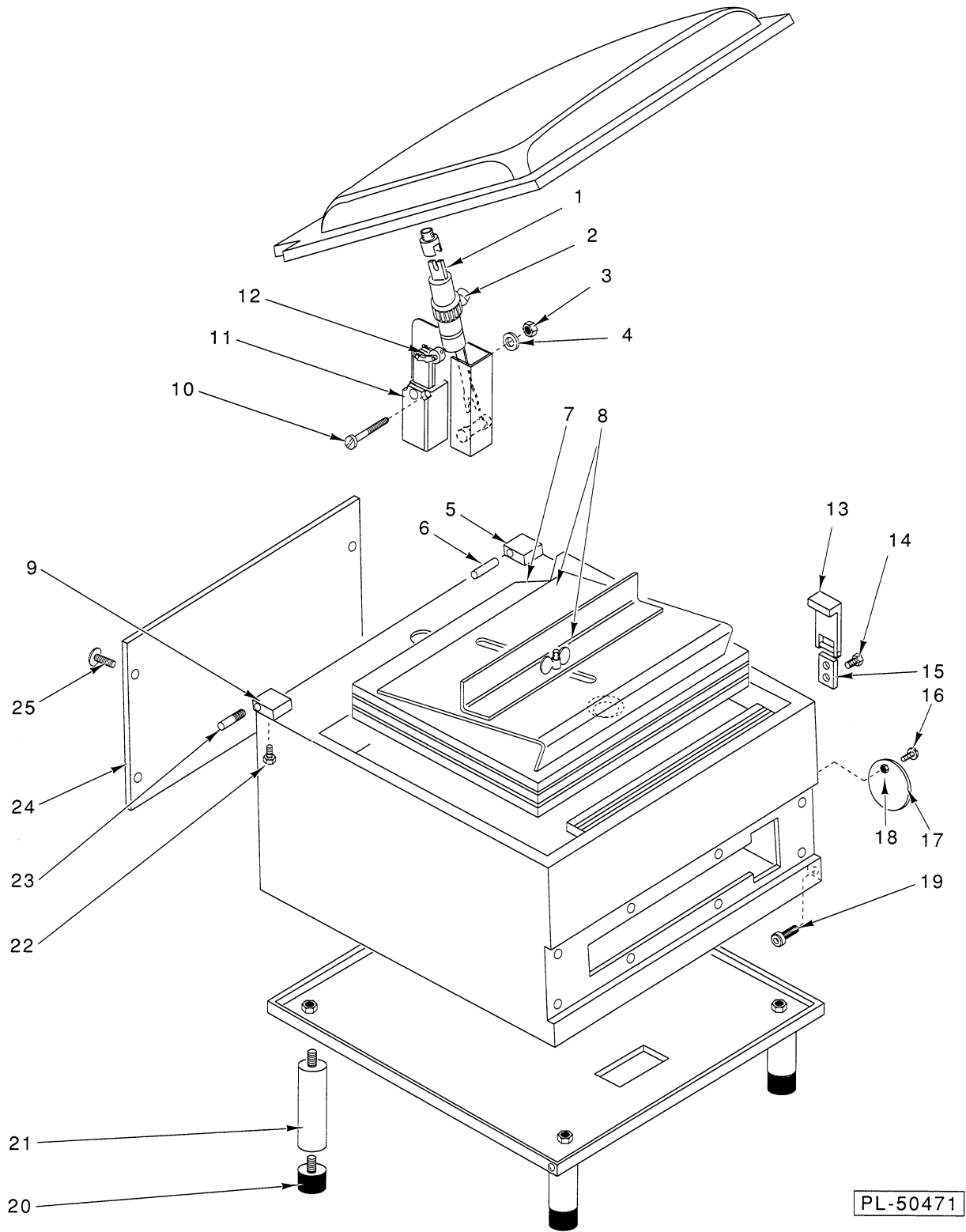
CABINET - HT-120G

CABINET - HT-120G

ILLUS. PL-50470	PART NO.	NAME OF PART	AMT.
1	32249	Spring - Gas Pressure	1
2	539316	Clamp - Hose	2
3	NS-48-2	Stop Nut m4 SST	2
4	WL-6-1	Lockwasher 8	2
5	32090	Hinge (Right)	1
6	32093	Pin 6 Dia. x 40	1
7	32247	Plate - Filler	3
8	32374	Inclined Plate (Incls.Plates, Stop Face and Wing Nut)	1
9	32231	Header - Gas	2
*10	32382	Bar - Hold Down	1
*11	32379	Hold Down Bracket Assy.	2
*12	SC-55-20	Set Screw 8-32 x 1/4 Soc. Hdls. Cup Pt.	2
**13	32361-1	Bar - Hold Down	1
14	32076	Latch - Hood Lock	1
15	SC-121-54	Mach. Screw m4 x 0.7 x 16mm Flat Hd.	2
16	32077	Hinge - Hood Lock	1
17	32413	Door - Access	1
18	SC-121-52	Mach. Screw m4 x 0.7 x 8mm Truss Hd.	1
19	NS-48-2	Stop Nut m4 SST	1
20	SC-121-58	Mach. Screw m8 x 1.25 x 12mm Socket Hex Head	2
21	32298	Screw - Hex Hd. (With Hole)	1
22	32138	Gasket	1
23	32334	Connection	1
24	32066-5	Hose - T - Piece	1
25	WL-6-1	Lockwasher 8	2
26	SC-120-51	Mach. Screw m4 x 0.7 x 10mm Cheese Hd.	2
27	NS-48-2	Stop Nut m4 SST	2
28	32190	Foot - Rubber	5
29	32189	Leg (m8 Thread)	5
30	32351	Socket- Straight	1
31	32067	Valve - Gas Flush	1
32	528501	Clamp - Hose	3
33	32066-6	Hose - Gas Supply	1
34	SC-121-57	Mach. Screw m8 x 1.25 x 10mm Socket Hex Hd.	2
35	32091	Pin - Straight (Threaded)	2
36	32359	Back Wall Assy.	4
37	SC-121-52	Mach. Screw m4 x 0.7 x 8mm Truss Hd.	4
38	32184	Hinge (Left)	1
39	SC-118-59	Set Screw m4 x 0.7 x 30mm Pan Hd.	2
40	32134	Switch - Limit	1
41	32135	Roller - Limit	1

* Used on Serial Numbers AV-053008 and Earlier Only

** Used on Serial Numbers AV-053009 and Later



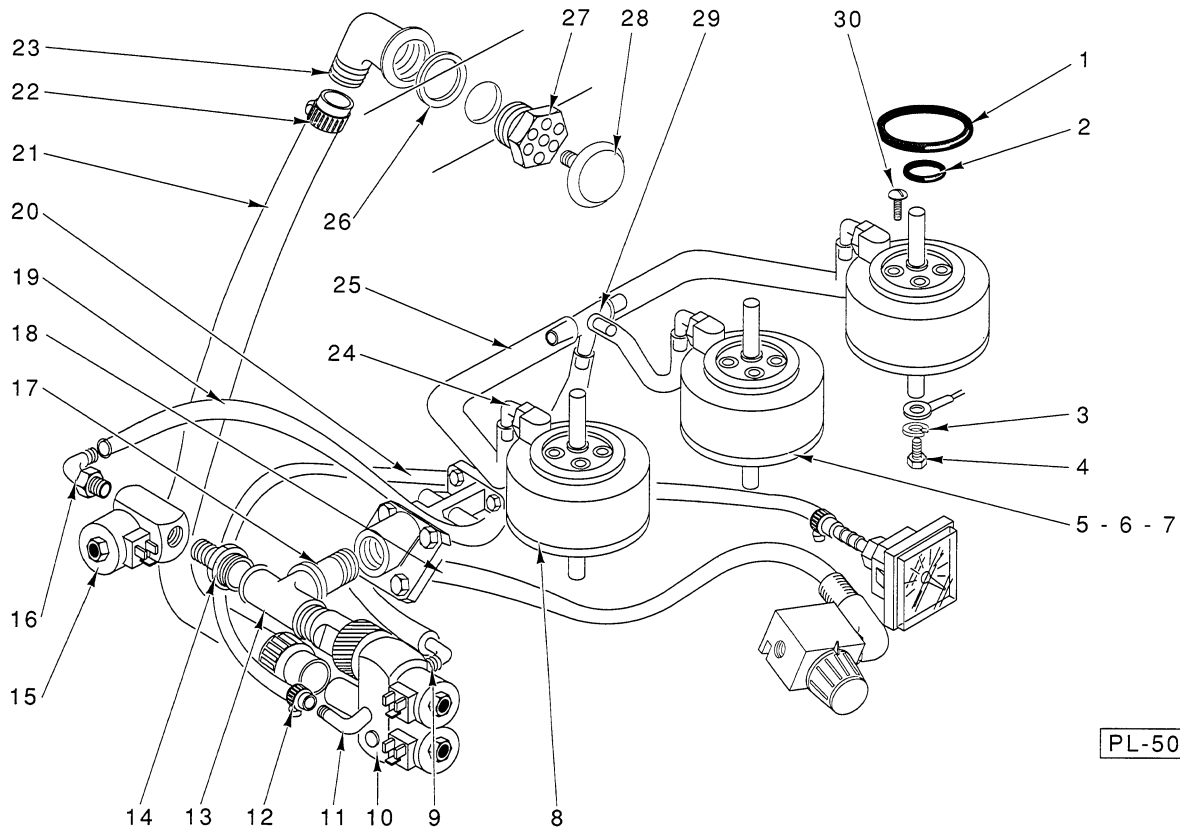
PL-50471

CABINET - HT-120

CABINET - HT-120

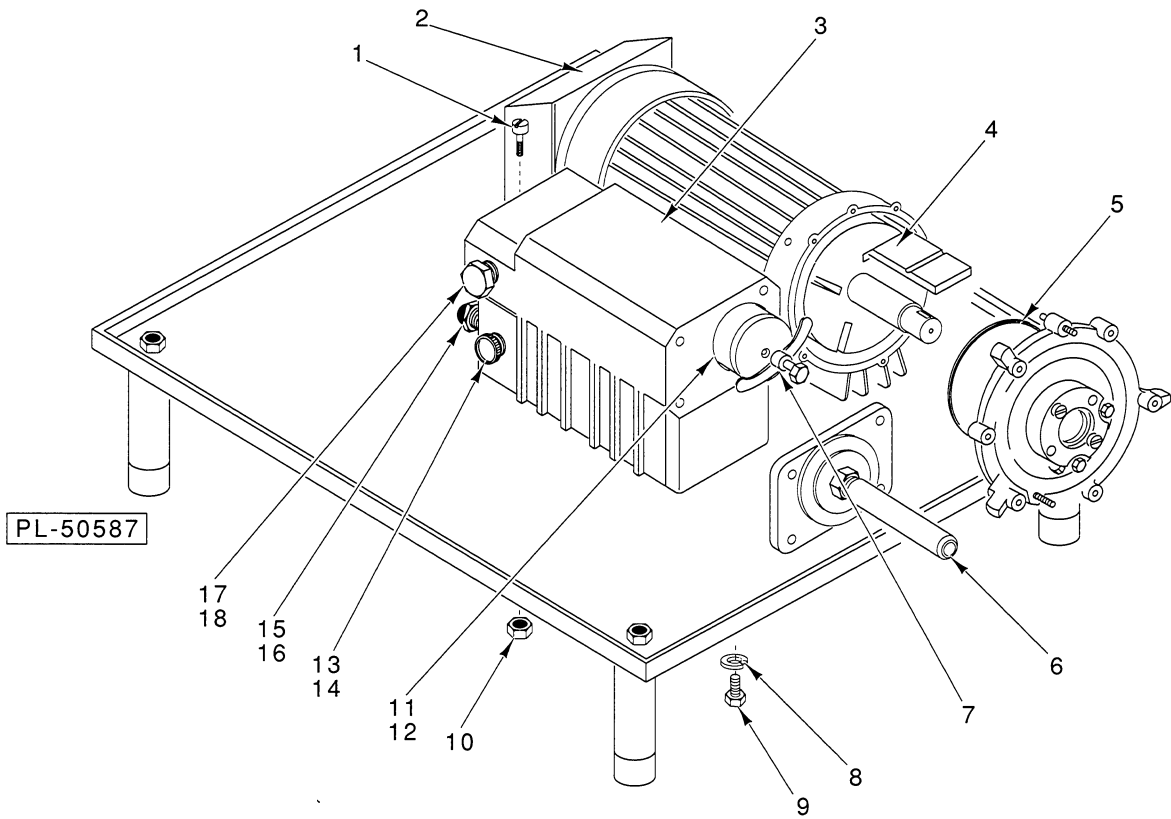
ILLUS. PL-50471	PART NO.	NAME OF PART	AMT.
1	32249	Spring - Gas Pressure	1
2	539316	Clamp - Hose	2
3	NS-48-2	Stop Nut m4 SST	2
4	WL-6-1	Lockwasher 8	2
5	32090	Hinge (Right)	1
6	32093	Pin 6 Dia. x 40	1
7	32247	Plate - Filler	3
8	32374	Inclined Plate (Incls. Plate, Stop Face and Wing Nut)	1
9	32184	Hinge (Left)	1
10	SC-118-59	Set Screw m4 x 0.7 x 30mm Pan Hd.	2
11	32134	Switch - Limit	1
12	32135	Roller - Limit	1
13	32076	Latch - Hood Lock	1
14	SC-121-54	Mach. Screw m4 x 0.7 x 16mm Flat Hd.	2
15	32077	Hinge - Hood Lock	1
16	32413	Door - Access	1
17	SC-121-52	Mach. Screw m4 x 0.7 x 8mm Truss Hd.	1
18	NS-48-2	Stop Nut m4 SST	1
19	SC-121-58	Mach. Screw m8 x 1.25 x 12mm Socket Hex Head	2
20	32190	Foot - Rubber	5
21	32189	Leg (m8 Thread)	5
22	SC-121-57	Mach. Screw m8 x 1.25 x 10mm Socket Hex Hd.	2
23	32091	Pin - Straight (Threaded)	1
24	32360	Back Wall Assy.	1
25	SC-121-52	Mach. Screw m4 x 0.7 x 8mm Truss Hd.	4

HT-120/HT-120G REPLACEMENT PARTS



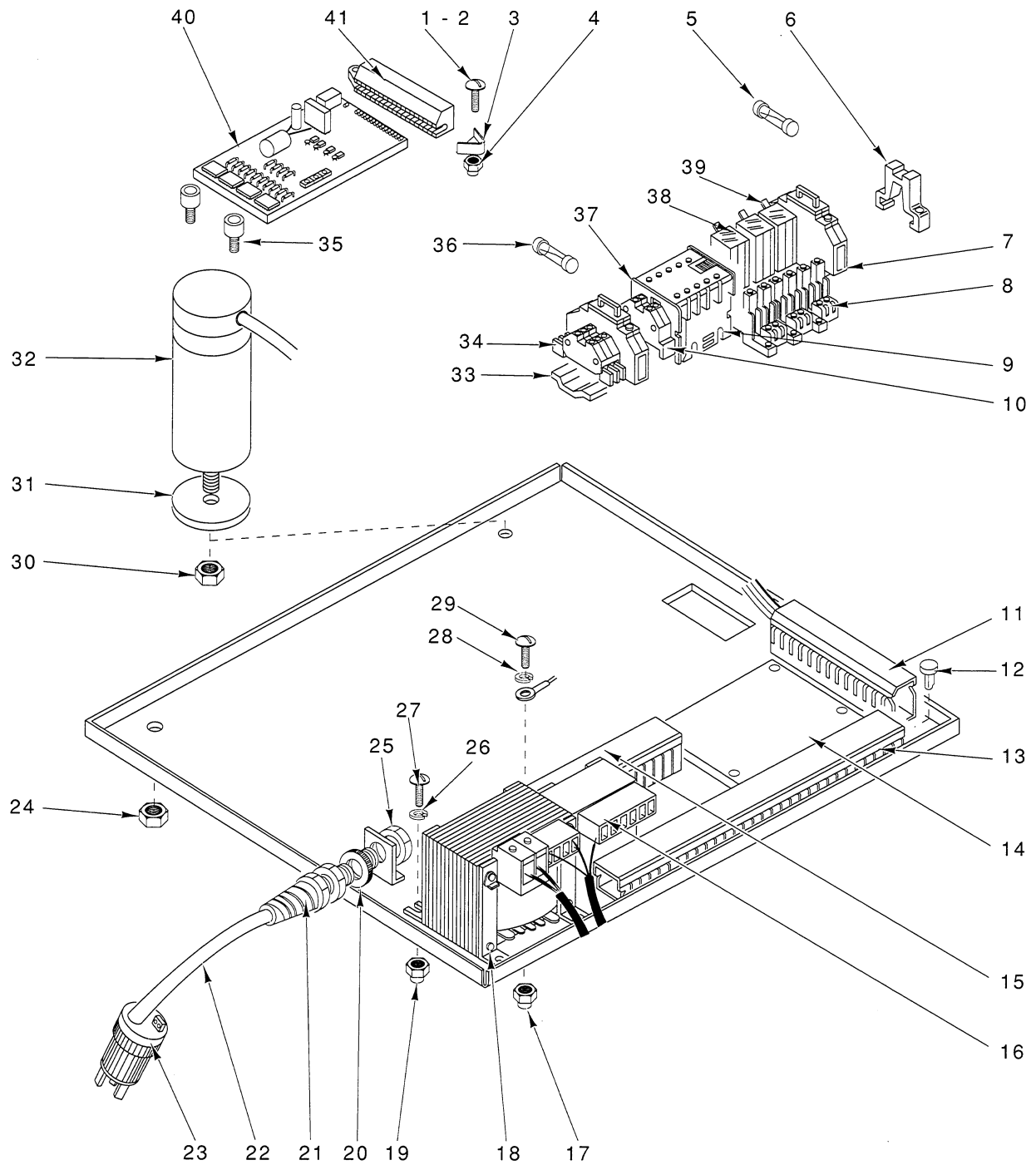
PNEUMATIC - HT-120 & HT-120G

ILLUS. PL-50473	PART NO.	NAME OF PART	AMT.
1	32120	"O" Ring	AR
2	32119	"O" Ring	AR
3	WL-6-1	Lockwasher 8	2
4	SC-118-25	Mach. Screw m4 x 0.7 x 6mm Pan Hd.	1
5	32285	Cylinder - Vacuum (HT120G)	1
6	32205	Cylinder - Vacuum (HT120G)	2
7	32286	"O" Ring (HT120G)	2
8	32230	Cylinder - Vacuum (HT120G)	2
9	32305	Socket - Elbow	1
10	32290	Joint - Valve	1
11	32344	Socket - Elbow	1
12	528501	Clamp - Hose	2
13	32292	T - Piece	1
14	32293	Nipple	1
15	32289	Valve	1
16	32308	Socket - Elbow	1
17	32291	Nipple	1
18	32264	Hose - Throttling Valve (23.622") (Cut as Needed)	AR
19	32094-7	Hose (47.244") (Cut as Needed)	AR
20	32094-7	Hose (47.244") (Cut as Needed)	AR
21	32185-1	Hose - Chamber (27") (Cut as Needed)	AR
22	534177	Clamp - Hose	2
23	32303	Elbow - Reduction	1
24	32297	Socket - Elbow	AR
25	32094-7	Hose (47.244") (Cut as Needed)	AR
26	32079	Washer - Sealing	1
27	32078	Exhaust Piece	1
28	32152	Board - Splash	1
29	32141	T - Piece	1
30	SC-121-53	Mach. Screw m6 x 1.0 x 10mm Truss Hd.	8



VACUUM PUMP - HT-120 & HT-120G

ILLUS. PL-50587	PART NO.	NAME OF PART	AMT.
1	SC-120-51	Mach. Screw m4 x 0.7 x 10mm Cheese Hd.	2
2	32192	Duct - Air	1
3	32193	Pump - Vacuum	1
4	32406	Vane	3
5	32399	"O" Ring - Endplate	1
6	32343	Exhaust Piece	1
7	32403	Filter Spring Assy.	1
8	WL-6-7	Lockwasher 10 Medium	2
9	SC-120-62	Cap Screw m8 x 1.25 x 12mm Hex Hd.	1
10	NS-48-2	Stop Nut m4 SST	2
11	32398	Filter - Exhaust	1
12	32401	"O" Ring (For Filter)	1
13	32194	Plug - Oil Drain 1/2"	1
14	32411	"O" Ring (For Drain Plug)	1
15	32106	Glass - Sight	1
16	32408	Gasket (For Sight Glass)	1
17	32084	Plug - Oil Refill	1
18	32412	"O" Ring (For Oil Fill Plug)	1

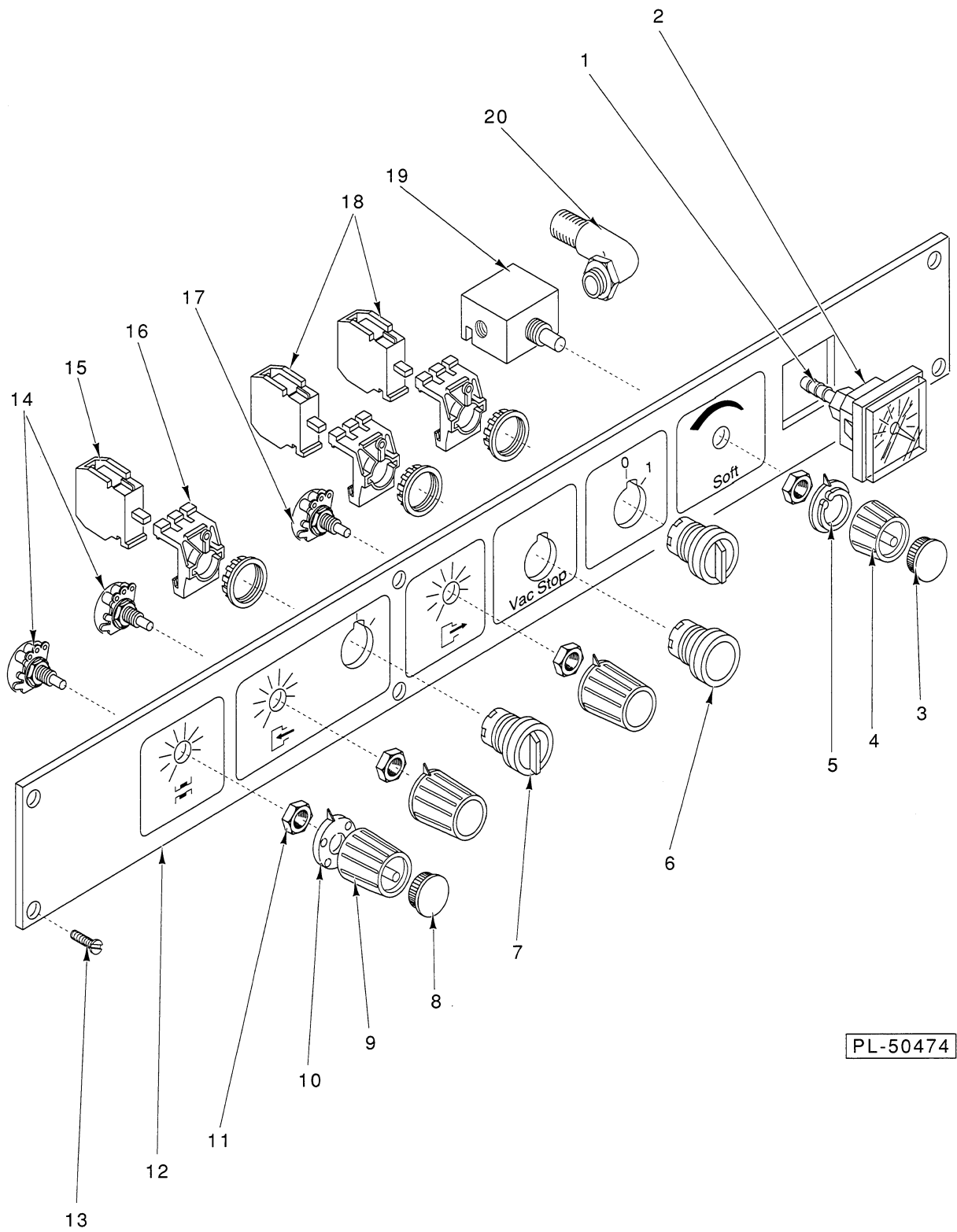


PL-50472

ELECTRICAL - HT-120 & HT-120G

ELECTRICAL - HT-120 & HT-120G

ILLUS. PL-50472	PART NO.	NAME OF PART	AMT.
1	SC-121-65	Mach. Screw m3 x 0.5 x16mm Cheese Hd.	2
2	WS-30-22	Washer	2
3	32108	Strap - Mounting	2
4	NS-47-47	Full Nut m3 Hex	2
5	32105	Fuse (2A)	1
6	32115	Strap - Mounting	1
7	32104	Fuseholder	2
8	32101	Socket - Plug-in	3
9	32116	Contactoer	1
10	32200	Terminal	2
11	32267-1	Duct - Cable	1
12	32268	Rivet - Plastic	7
13	32267-3	Duct - Cable	1
14	32112	Plate - Base	1
15	32267-2	Duct - Cable	1
16	32198	Transformer (110V./24V., 70A)	1
17	NS-48-2	Stop Nut m4 SST	3
18	32195	Transformer (110V/24V., 70 VA)	1
19	NS-48-2	Stop Nut m4 SST	8
20	32072	Ring - Reduction	1
21	32073	Relief - Strain	1
22	32203	Cord - Power	1
23	32365	Plug (15A, 125V., 1 Ph.)	1
24	NS-48-4	Stop Nut m8 SST	4
25	32350	Nut - Hex	1
26	WS-23-41	Washer	8
27	SC-120-51	Mach. Screw m4 x 0.7 x 10mm Cheese Hd.	8
28	WL-6-1	Lockwasher 8	1
29	SC-120-51	Mach. Screw m4 x 0.7 x 10mm Cheese Hd.	1
30	NS-48-2	Stop Nut m4 SST	1
31	32307	Washer	1
32	32196	Condenser	1
33	32275	Rail - Mounting	1
34	32114	Terminal - Ground	3
35	32111	Bumper - Rubber	2
36	32113	Fuse (1A)	1
37	32201	Wall - Insulating	1
38	32103	Relay	3
39	32202	Strap - Mounting	6
40	32109	Board -PC	1
41	32107	Socket - Plug-In	1

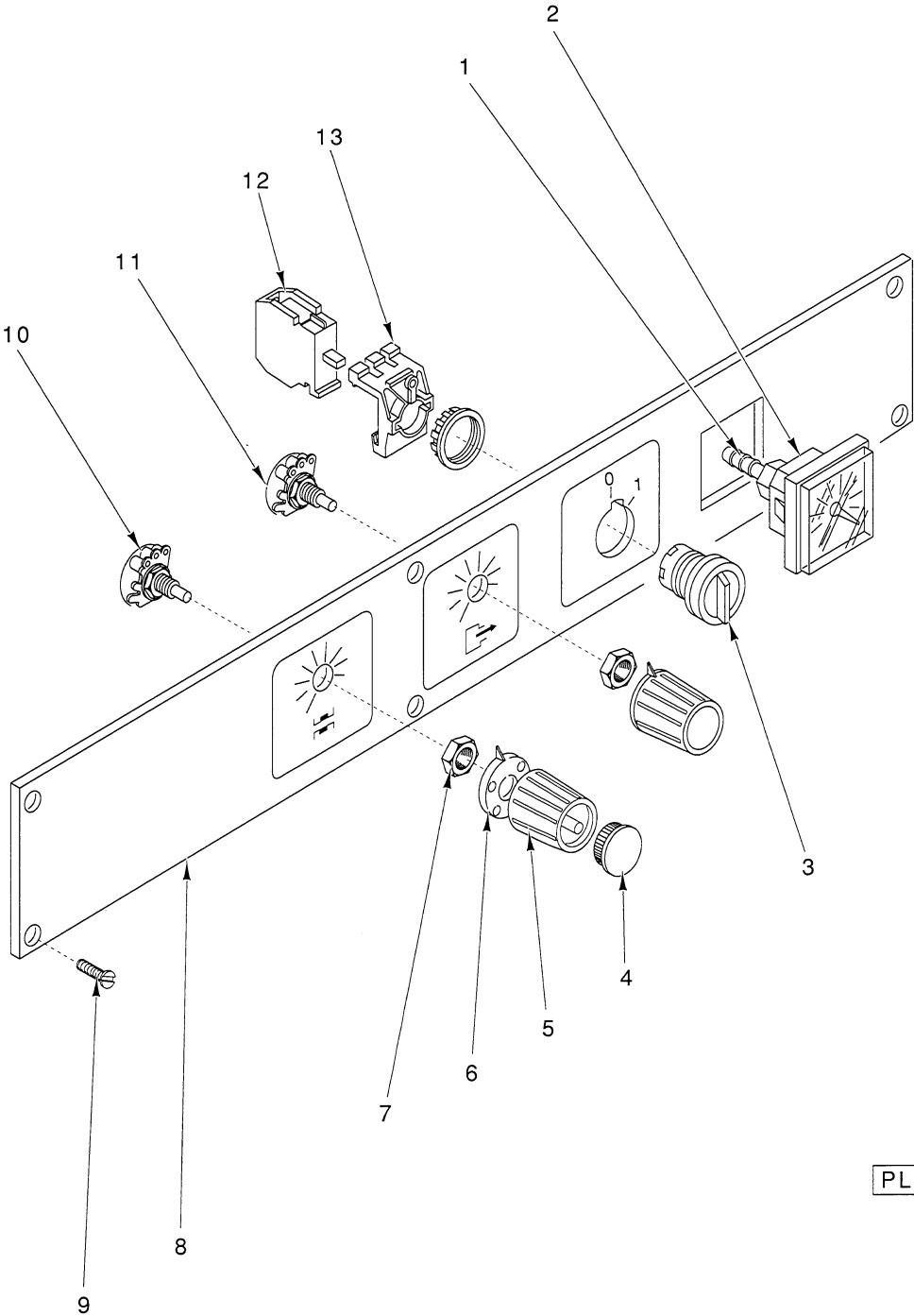


PL-50474

CONTROL PANEL - HT-120G

CONTROL PANEL - HT-120G

ILLUS. PL-50474	PART NO.	NAME OF PART	AMT.
1	32300	Socket - Straight	1
2	32170	Gauge - Vacuum	1
3	32160	Cap	1
4	32159	Knob	1
5	32161	Disc - Pointer	1
6	32167	Pushbutton	1
7	32163	Switch - Selector	2
8	32182	Cap	3
9	32181	Knob	3
10	32180	Disc - Pointer	3
11	32348	Nut m10 Hex	3
12	32178	Board (Aluminum)	1
13	SC-121-52	Mach. Screw m4 x 0.7 x 8mm Truss Hd.	8
14	32158	Potentiometer 470 K-OHM	2
15	32165	Contactactor	1
16	32164	Strap - Mounting	3
17	32162	Potentiometer 1 M OHM	1
18	32166	Contactactor	2
19	32183	Valve - Throttling	1
20	32340	Socket - Elbow	1

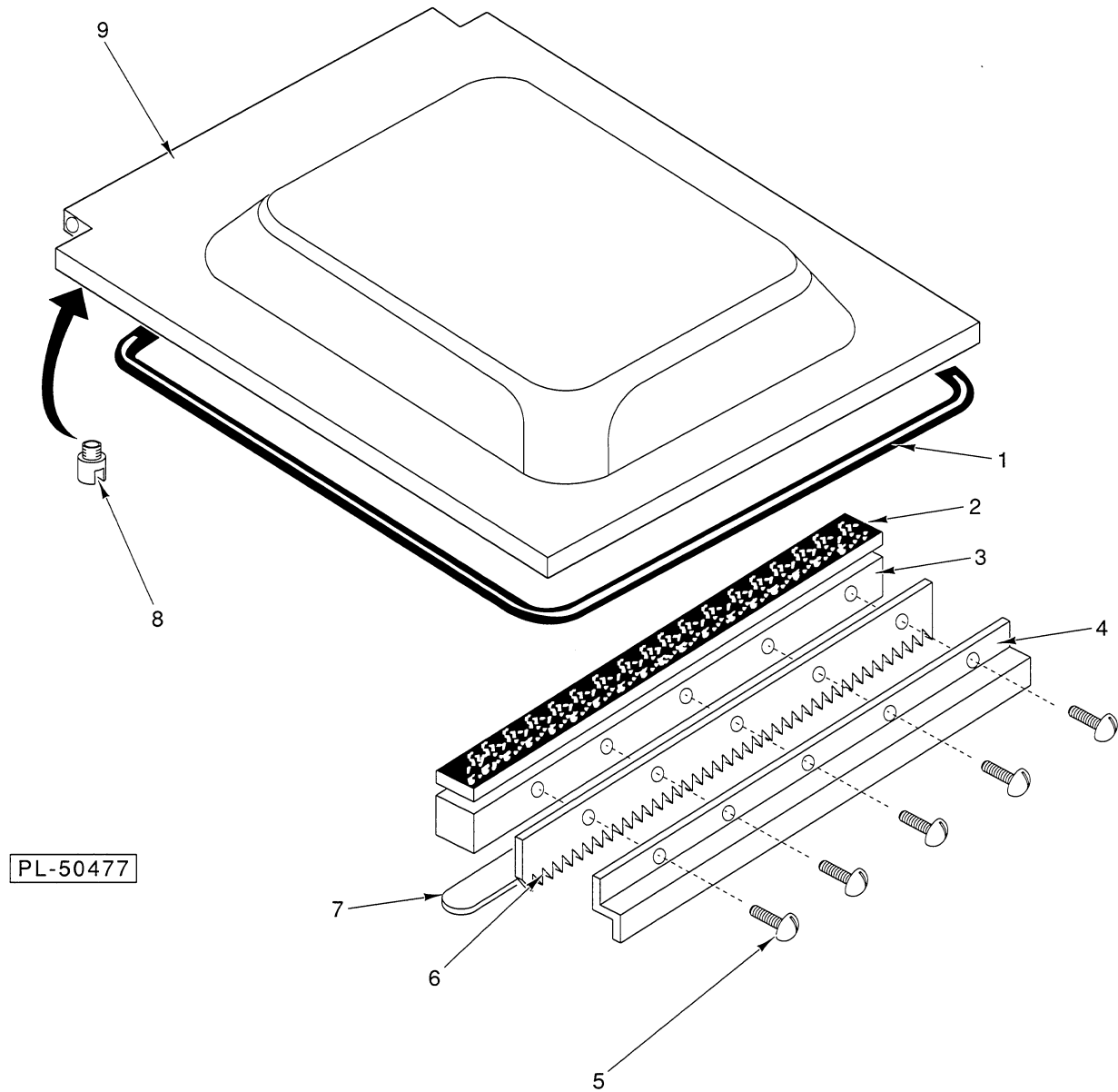


PL-50475

CONTROL PANEL - HT-120

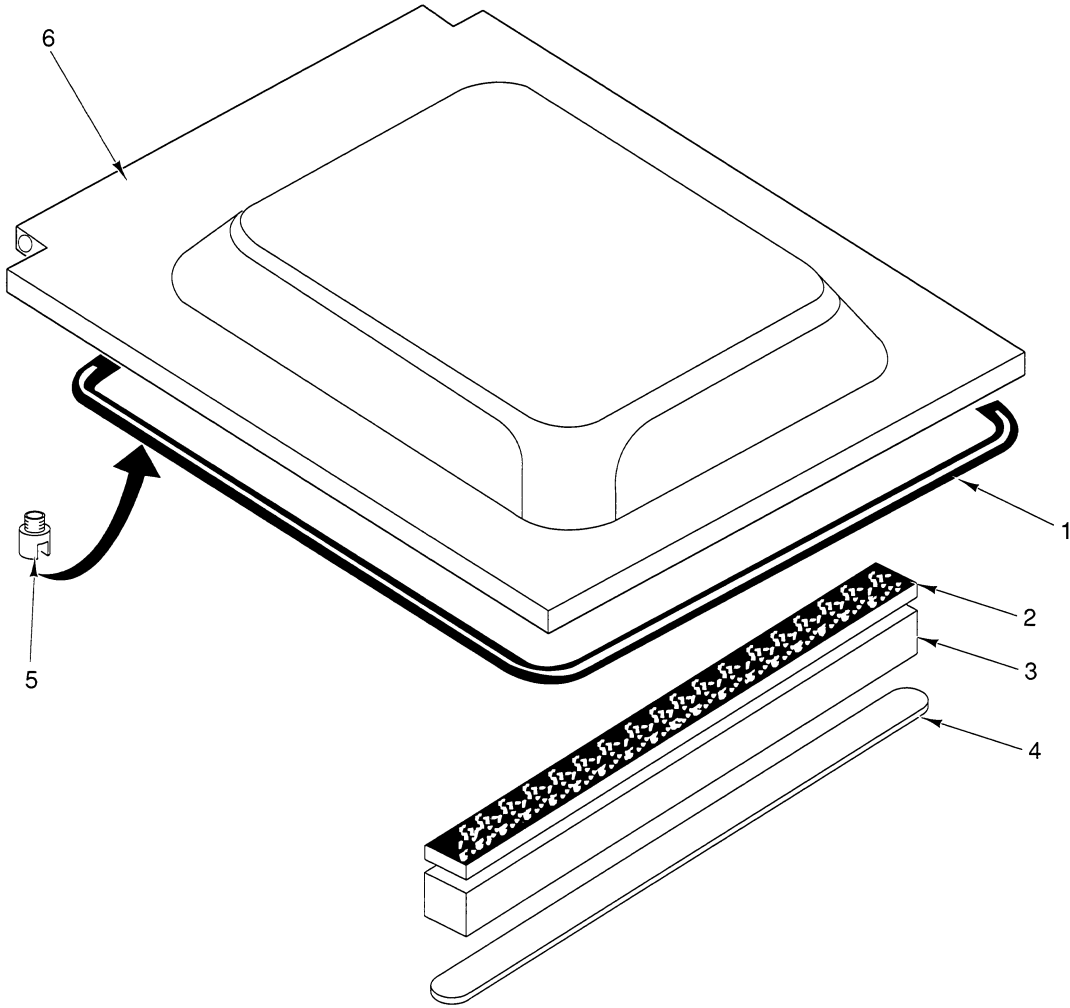
CONTROL PANEL - HT-120

ILLUS. PL-50475	PART NO.	NAME OF PART	AMT.
1	32300	Socket - Straight	1
2	32170	Gauge - Vacuum	1
3	32163	Switch - Selector	1
4	32182	Cap	2
5	32181	Knob	2
6	32180	Disc - Pointer	2
7	32348	Nut m10 Hex	2
8	32233	Board (Aluminum)	1
9	SC-121-52	Mach. Screw m4 x 0.7 x 8mm Truss Hd.	8
10	32158	Potentiometer 470 K-OHM	1
11	32162	Potentiometer 1 M OHM	1
12	32166	Contactoer	1
13	32164	Strap - Mounting	1



LID ASSEMBLY - HT-120G

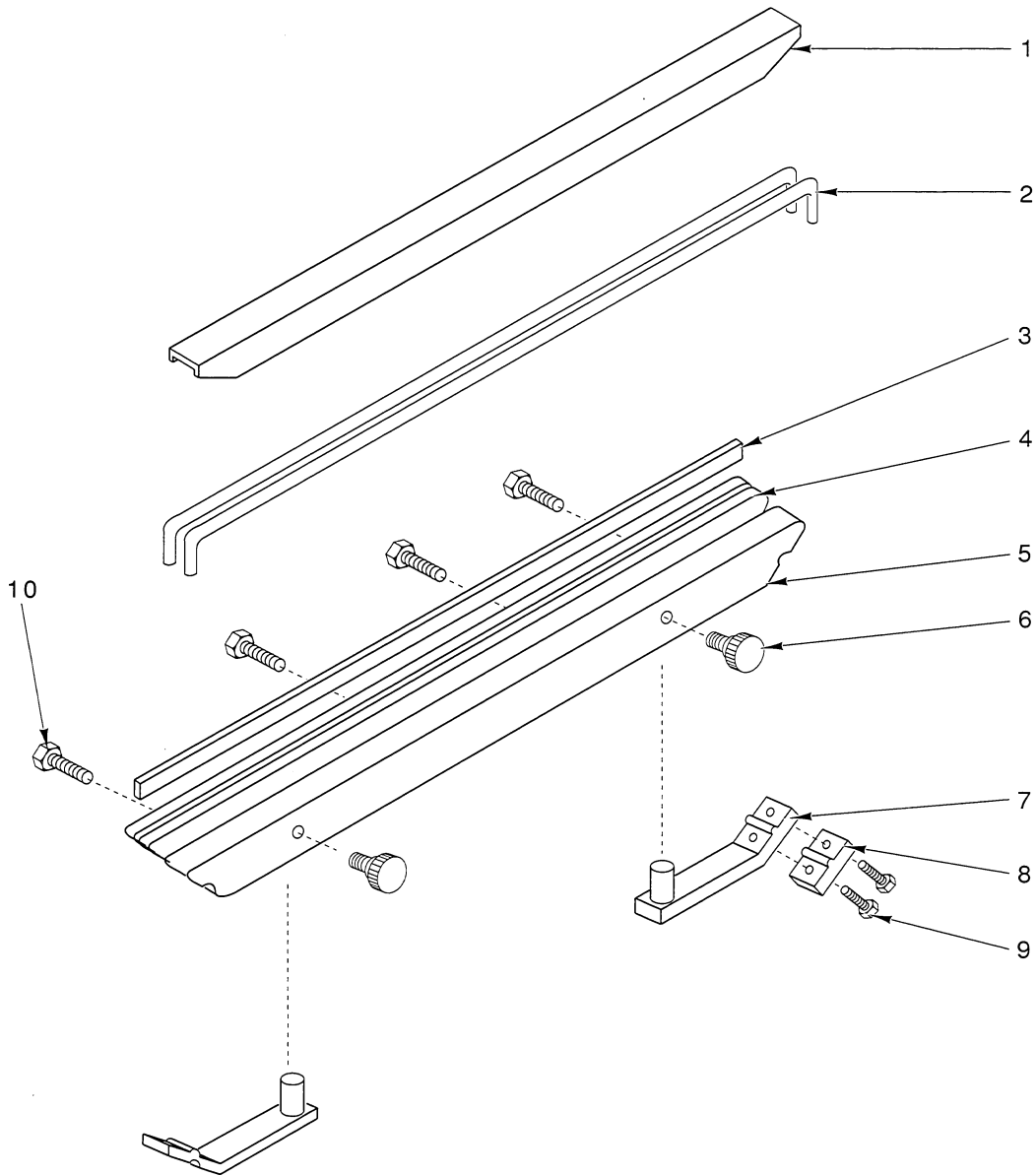
ILLUS.	PART NO.	NAME OF PART	AMT.
PL-50477	1	32059 Gasket (Cut to 77")	1
	2	32254 Strip - Double Adhesive	1
	3	32255 Holder - Silicone Strip	1
	4	32258 Protection - Knife	1
	5	SC-121-52 Mach. Screw m4 x 0.7 x 8mm Truss Hd.	4
	6	32257 Knife	1
	7	32256 Strip - Silicone	1
	8	32259 Bracket - Pressure Spring	1
	9	32252 Lid	1
		32251 Lid Assy. (Incls. items 1 thru 9)	1



PL-50476

LID ASSEMBLY - HT-120

ILLUS.	PART NO.	NAME OF PART	AMT.
1	32059	Gasket (Cut to 77")	1
2	32254	Strip - Double Adhesive	1
3	32261	Holder - Silicone Strip	1
4	32256	Strip - Silicone	1
5	32259	Bracket - Pressure Spring	1
6	32252	Lid	1
	32260	Lid Assy. (Incls. items 1 thru 6)	1

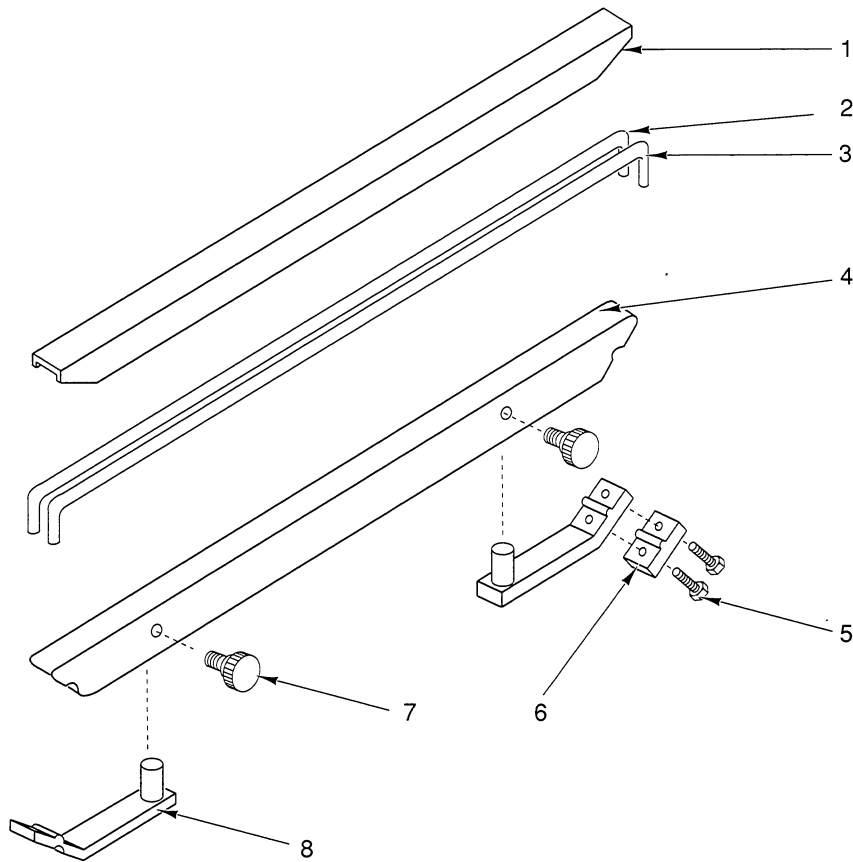


PL-50479

SEALING BAR - HT-120G

SEALING BAR - HT-120G

ILLUS. PL-50479	PART NO.	NAME OF PART	AMT.
1	32127	Strip - Teflon (Cut to 17 $\frac{3}{4}$ ")	1
2	32237	Rod - Arched	2
3	32129	Strip - Silicone (Red) (Cut to 17 $\frac{1}{2}$ ")	1
4	32239	Bar - Phenolic Laminate 30 x 12 x 450	1
5	32235	Bar - Phenolic Laminate 30 x 18 x 458	1
6	32301	Screw - Knurled m4 x 6	2
7	32282	Bar - Heat Conveyance (Right & Left)	2
8	32236	Clip	2
9	SC-120-51	Mach. Screw m4 x 0.7 x 10mm Cheese Hd.	4
10	SC-121-60	Mach. Screw m5 x 0.8 x 20mm Truss Hd.	4
	32234	Sealing Bar Assy. (Includes items 1 thru 10)	1



PL-50478

SEALING BAR - HT-120

ILLUS. PL-50478	PART NO.	NAME OF PART	AMT.
1	32127	Strip - Teflon (Cut to 17 $\frac{3}{4}$ ")	1
2	32244	Rod - Round	1
3	32243	Rod - Flat	1
4	32242	Bar - Phenolic Laminate	1
5	SC-120-51	Mach. Screw m4 x 0.7 x 10mm Cheese Hd.	4
6	32236	Clip	2
7	32301	Screw - Knurled m4 x 6	2
8	32282	Bar - Heat Conveyance (Right & Left)	2
	32241	Sealing Bar Assy. (Incls. items 1 thru 8)	1