



CATALOG OF REPLACEMENT PARTS

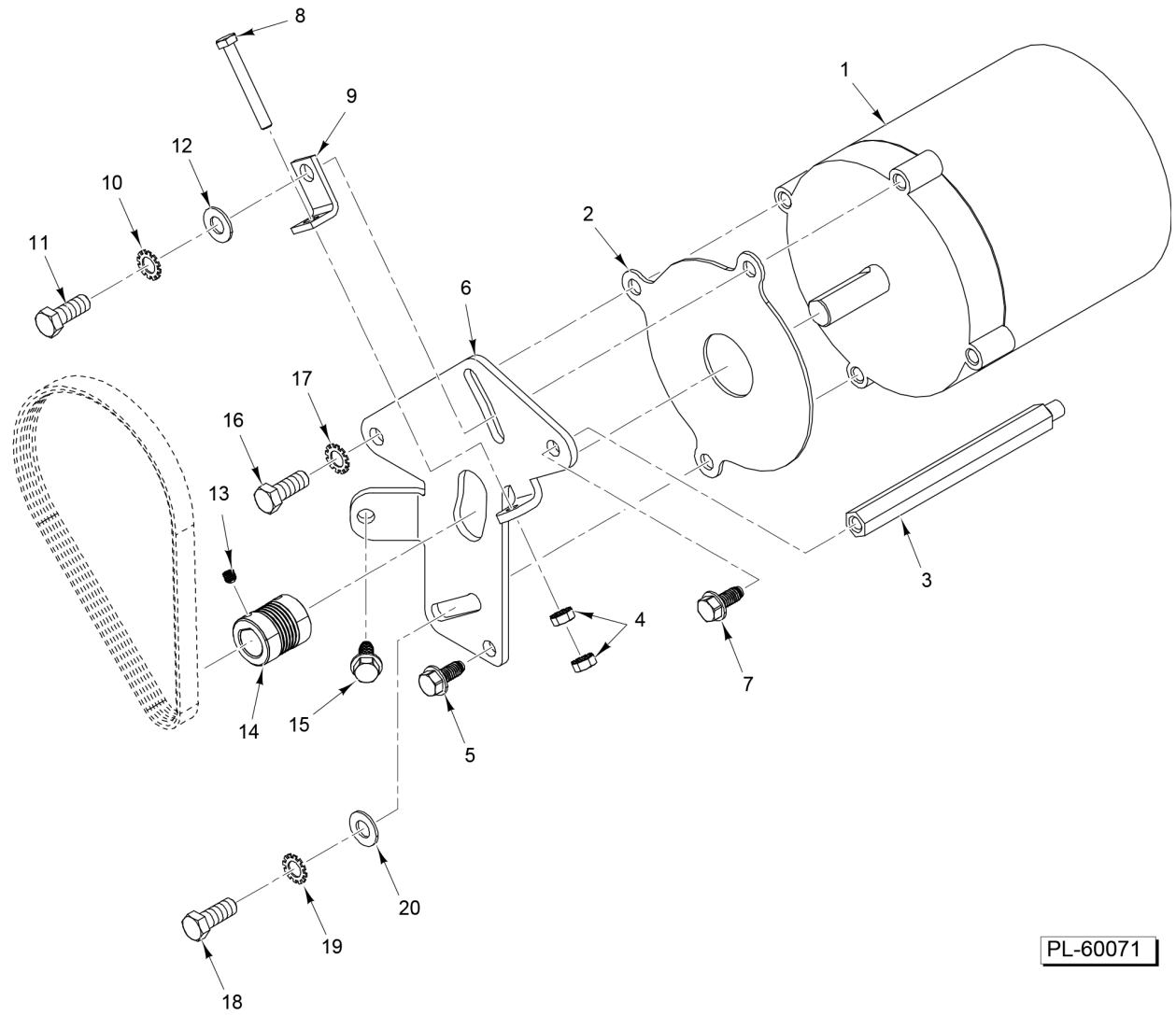


HS SERIES SLICERS

ML-136244	HS6
ML-136245	HS6N
ML-136248	HS7
ML-136249	HS7N
ML-136250	HS8
ML-136251	HS8N
ML-136252	HS9
ML-136253	HS9N

Table of Contents

5 KNIFE DRIVE MOTOR
7 TOP COVER AND RING GUARD
9 KNIFE AND KNIFE SHAFT
11 GAUGE PLATE AND INDEX
13 PRODUCT TRAY AND MEAT GRIP ASSEMBLY
15 KNIFE SHARPENER ASSEMBLY
17 TRANSPORT CARRIAGE ASSEMBLY
19 AUTO DRIVE ASSEMBLY (HS7 & HS9 SERIES)
21 AUTO DRIVE LEVER (HS7 & HS9 SERIES)
23 CONTROLS AND ELECTRICAL COMPONENTS (HS6 & HS8 SERIES)
25 WIRE HARNESSSES (HS6 & HS8)
27 CONTROLS AND ELECTRICAL COMPONENTS (HS7 & HS9 SERIES)
29 WIRE HARNESSSES (HS7 & HS9)
31 BASE AND KICK STAND (HS6 & HS8 SERIES)
33 AUTO BASE AND LIFT ASSIST LEVER (HS7 & HS9 SERIES)
35 ACCESSORIES

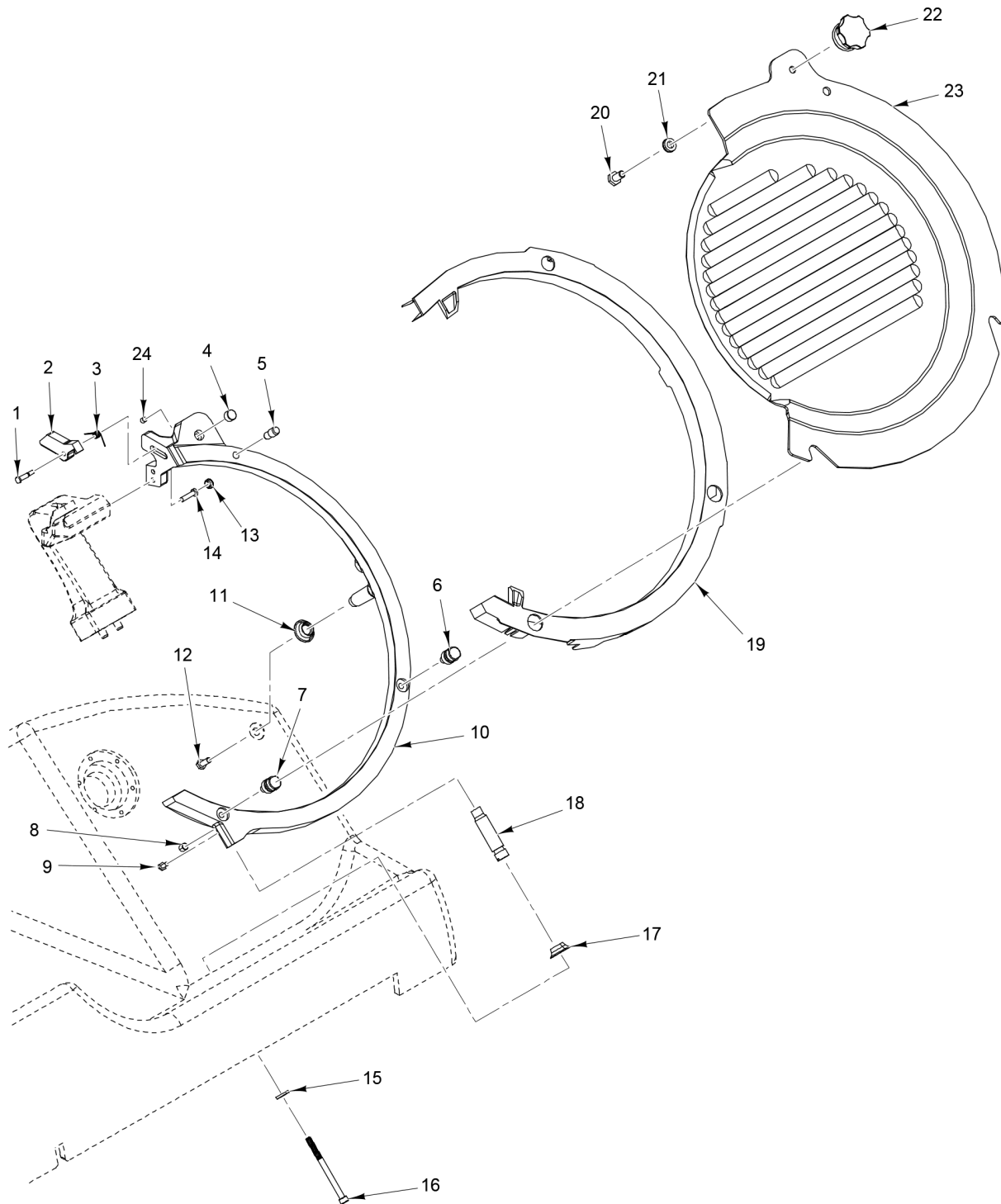


PL-60071

KNIFE DRIVE MOTOR

KNIFE DRIVE MOTOR

ILLUS. PL-60071	PART NO.	NAME OF PART	AMT.
1	00-438846-00001	Motor (60 Hz.).....	1
2	00-439032	Gasket - Motor.....	1
3	00-438984	Standoff.....	1
4	NS-044-14	Nut - 1/4-20 Hex "Keps".....	2
5	SD-038-18	Self-Tapping Screw 5/16-18 x 3/4 Hex Washer Hd., Type RL.....	1
6	00-477760	Plate - Motor.....	1
7	SD-038-18	Self-Tapping Screw 5/16-18 x 3/4 Hex Washer Hd., Type RL.....	1
8	SC-118-98	Cap Screw 1/4-20 x 2 Hex Hd.....	1
9	00-477532	Bracket - Tensioner Adjustment.....	1
10	WL-007-25	Lockwasher 3/8 External.....	1
11	SC-037-73	Cap Screw 3/8-16 x 1 Hex Hd.....	1
12	WS-018-22	Washer.....	1
13	SC-123-65	Set Screw 1/4-28 x 3/8 Hex Hdls., Flat Pt. (SST).....	2
14	00-438844-00002	Sheave - Poly "V".....	1
15	SD-038-18	Self-Tapping Screw 5/16-18 x 3/4 Hex Washer Hd., Type RL.....	1
16	SC-037-73	Cap Screw 3/8-16 x 1 Hex Hd.....	1
17	WL-007-25	Lockwasher 3/8 External.....	1
18	SC-037-73	Cap Screw 3/8-16 x 1 Hex Hd.....	1
19	WL-007-25	Lockwasher 3/8 External.....	1
20	WS-018-22	Washer.....	1

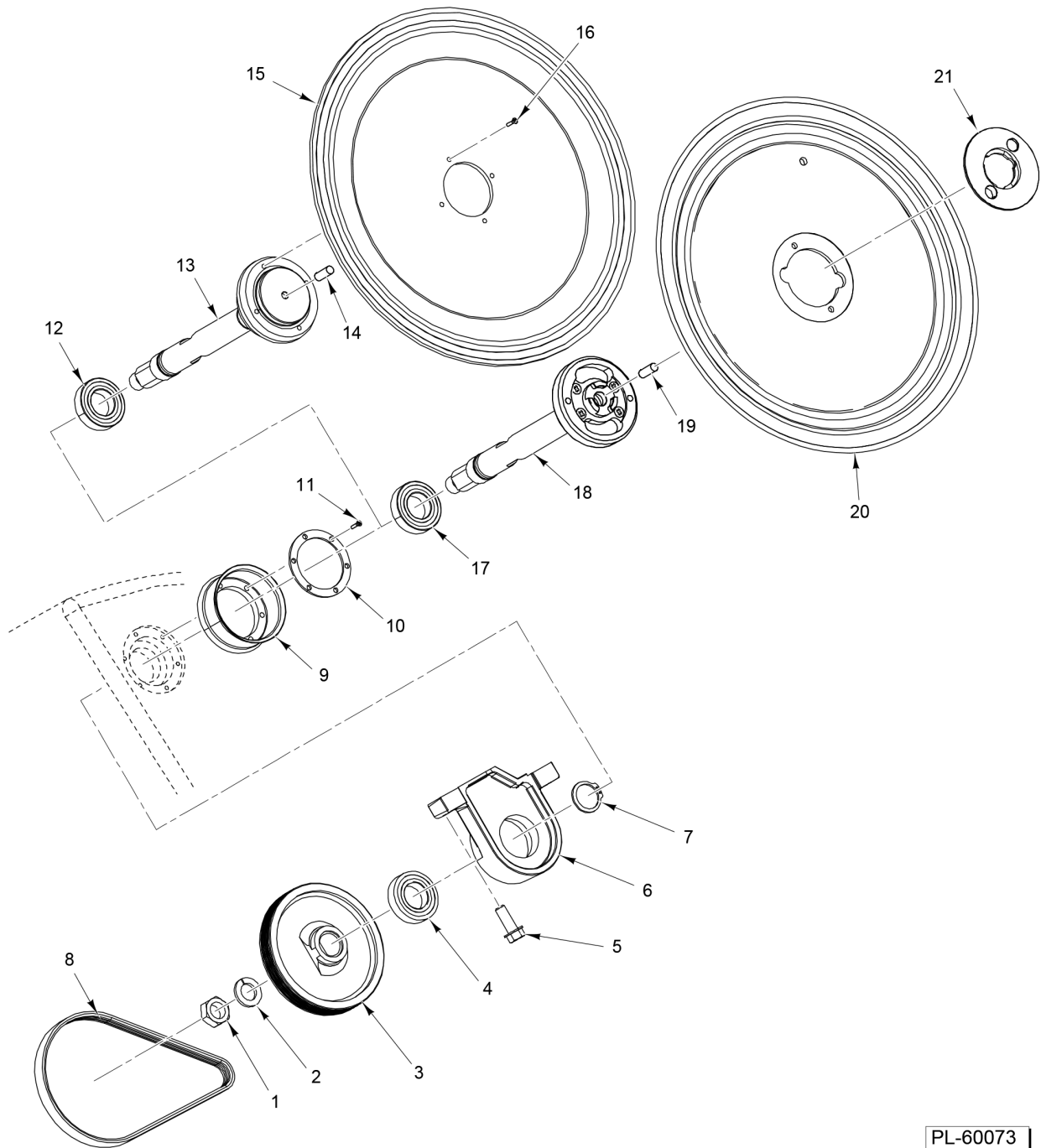


PL-60072

TOP COVER AND RING GUARD

TOP COVER AND RING GUARD

ILLUS.	PART NO.	NAME OF PART	AMT.
PL-60072			
1	00-914411	Pin - Lock.....	1
2	00-914409-00003	Lock - Knife Edge Protector.....	1
3	00-914425	Lock - Torsion Spring.....	1
4	00-915319	Magnet.....	1
5	00-915299	Pin - Top Cover.....	1
6	00-915378	Pin - Tapered.....	1
7	00-915378	Pin - Tapered.....	1
8	00-914634	Magnet - Product Deflector.....	1
9	SC-130-21	Mach. Screw 6-32 x 5/16 Hex Hd. (SST).....	1
10	00-915390	Ring Guard Assy, (Incls. Items 1 thru 9 & 24).....	1
11	00-914429	Boot - Ring Guard.....	1
12	SC-037-80	Mach. Screw 10-24 x 1/2 Hex Hd.....	1
13	00-914430	Plug.....	2
14	SC-129-78	Cap Screw 8-32 x 5/8 Hex Socket Hd.....	2
15	WS-031-78	Washer.....	1
16	SC-131-56	Cap Screw 10-24 x 2-1/2 Hex Socket Hd.....	1
17	00-914429	Boot - Ring Guard.....	1
18	00-915300	Post - Ring Guard.....	1
19	00-914408	Cover - Ring Guard.....	1
20	SC-036-14	Cap Screw 1/4-20 x 1/2 Hex Hd.....	1
21	WS-031-80	Washer.....	1
22	00-915297	Knob - Top Cover.....	1
23	00-915391	Top Cover Assy. (Incls. Items 20, 21, & 22).....	1
24	SC-131-63	Set Screw 1/4-20 x 1/4 Hex Hdls., Flat Pt. (SST).....	1

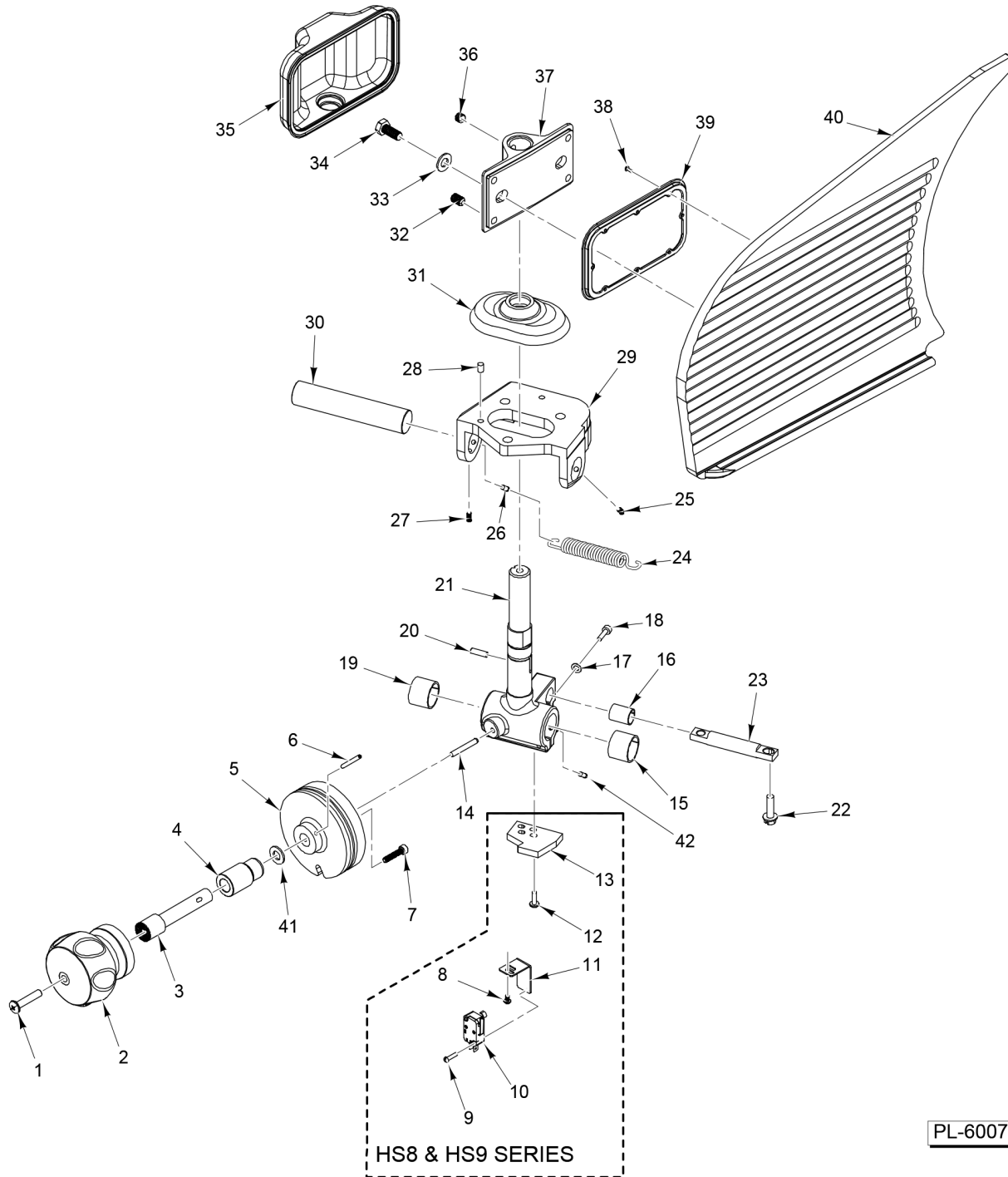


PL-60073

KNIFE AND KNIFE SHAFT

KNIFE AND KNIFE SHAFT

ILLUS.	PART NO.	NAME OF PART	AMT.
PL-60073			
1	NS-017-41	Jam Nut 5/8-18 Hex (SST).....	1
2	WL-004-17	Lockwasher 5/8 Light.....	1
3	00-439049	Sheave - Poly "V" Large 6 Groove.....	1
4	BB-021-66	Bearing - Ball.....	1
5	SC-123-50	Cap Screw 3/8-16 x 1 Hex Washer Hd.....	2
6	00-875180-00002	Retainer - Lower Hub & Bearing (Incls. Item 4).....	1
7	RR-009-07	Retaining Ring.....	1
8	00-438845	Belt - Poly "V".....	1
9	00-915341	Boot - Knife Shaft.....	1
10	00-915342	Ring - Boot.....	1
11	SC-131-62	Cap Screw 8-32 x 7/8 Hex Socket Hd. (SST).....	6
12	BB-021-66	Bearing - Ball.....	1
13	00-915283-00003	Knife Shaft Assy. (Non-Removable) (Incls. Item 12).....	1
14	00-915308	Plug - Rulon.....	1
15	00-914753-00002	Knife - Slicer Pack (Non-Removable).....	1
16	SC-114-99	Mach. Screw 10-32 x 1/2 Phil. Flat Hd. (SST).....	4
17	BB-021-66	Bearing - Ball.....	1
18	00-915421	Knife Shaft Assy. (Removable) (Incls. Item 17).....	1
19	00-914561	Screw - Rulon.....	1
20	00-914753	Knife - Slicer Pack (Removable).....	1
21	00-914422	Plate - Knife Removal Clamp.....	1

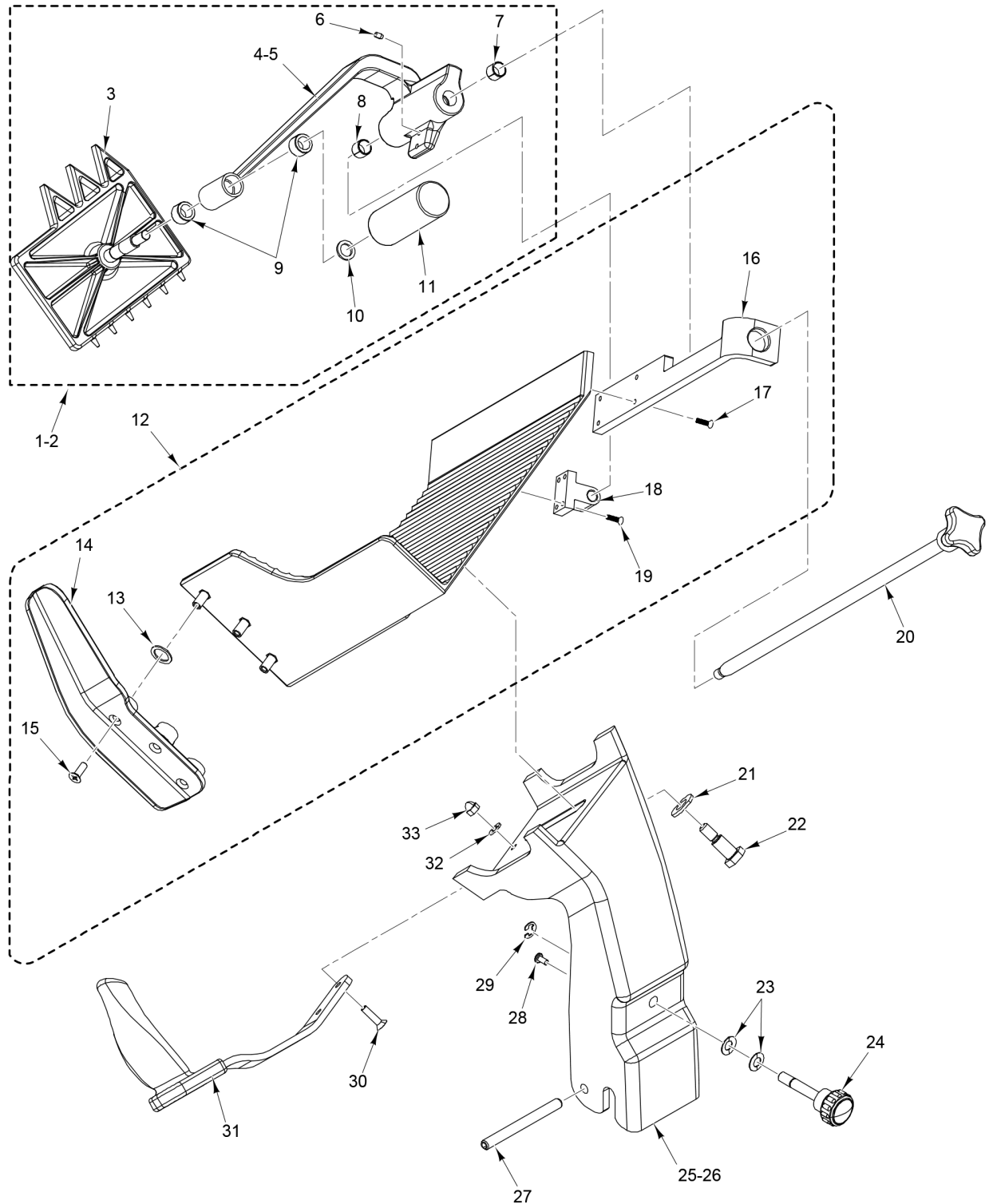


PL-60074

GAUGE PLATE AND INDEX

GAUGE PLATE AND INDEX

ILLUS.	PART NO.	NAME OF PART	AMT.
PL-60074			
1	SC-125-95	Mach. Screw 1/4-20 x 1-1/4 Phil. Pan Hd. (SST).....	1
2	00-915292	Knob - Index Assy.....	1
3	00-915305	Shaft - Index Knob.....	1
4	00-915304	Bushing - Index.....	1
5	00-915335-00001	Cam - Index.....	1
6	RP-003-12	Roll Pin 1/8 Dia. x 1-1/4 Lg.....	1
7	SC-131-75	Cap Screw 10-32 x 7/8 Hex Socket Hd. (SST).....	1
8	SC-125-33	Mach. Screw 6-32 x 1/4 Phil. Rd. Hd. (SST) (HS8 & HS9 Series).....	2
9	SC-021-02	Mach. Screw 4-40 x 1/2 Slotted Rd. Hd. (SST) (HS8 & HS9 Series).....	2
10	00-087711-00358	Switch - Miniature (HS8 & HS9 Series).....	1
11	00-915291	Bracket (Close to Stop) (HS8 & HS9 Series).....	1
12	SC-093-05	Mach. Screw 8-32 x 1/2 Slotted Pan Hd. (SST) (HS8 & HS9 Series).....	4
13	00-915358	Bracket (Interlock Stop) (HS8 & HS9 Series).....	1
14	00-478461	Pin - Index Cam.....	1
15	00-478426	Bushing - Index Slide.....	1
16	00-478425	Bushing - Anti-Rotation Rod.....	1
17	WS-008-13	Washer - Retaining.....	3
18	SC-124-46	Cap Screw 10-24 x 3/4 Hex Socket Hd.....	3
19	00-478426	Bushing - Index Slide.....	1
20	RP-002-35	Roll Pin 3/16 Dia. x 5/8 Lg. (SST).....	1
21	00-915306-00002	Slide - Index (Incls. Items 14 thru 20 & 42).....	1
22	SD-038-14	Self-Tapping Screw 1/4-20 x 7/8 Hex Washer Hd., Type RL (SST).....	2
23	00-478415	Rod - Index Anti-Rotation.....	1
24	00-478432	Spring - Index Backlash.....	1
25	SC-088-71	Set Screw 8-32 x 3/8 Hdls., Flat Pt.....	1
26	PG-011-38	Pin - Grooved 5/32 x 19/32 (SST).....	1
27	SC-088-71	Set Screw 8-32 x 3/8 Hdls., Flat Pt.....	1
28	00-011800-00305	Pin - Dowel 1/4 x 3/4.....	2
29	00-439072-00003	Support - Slide Index (Incls. Item 28).....	1
30	00-438886	Rod - Index Slide.....	1
31	00-915313	Boot - Index Slide.....	1
32	SC-131-74	Set Screw 5/16-24 x 1/2 Hex Hdls., Flat Pt.....	4
33	WS-005-32	Washer (SST).....	2
34	SC-062-72	Cap Screw 5/16-24 x 3/4 Hex Hd.....	2
35	00-915301	Boot - Gauge Plate.....	1
36	SC-117-68	Set Screw 5/16-24 x 3/8 Hex Hdls., Cone Pt.....	3
37	00-915289-00002	Support - Gauge Plate.....	1
38	00-121676-00001	Self-Tapping Screw #2 x 1/4 Truss Hd.....	8
39	00-915293	Bracket - Gauge Plate Boot.....	1
40	00-915282-00001	Plate - Gauge.....	1
41	WS-030-58	Washer (SST) (Only use a maximum of 6).....	AR
42	PG-011-19	Pin - Grooved 5/32 x 1/2 (SST).....	1

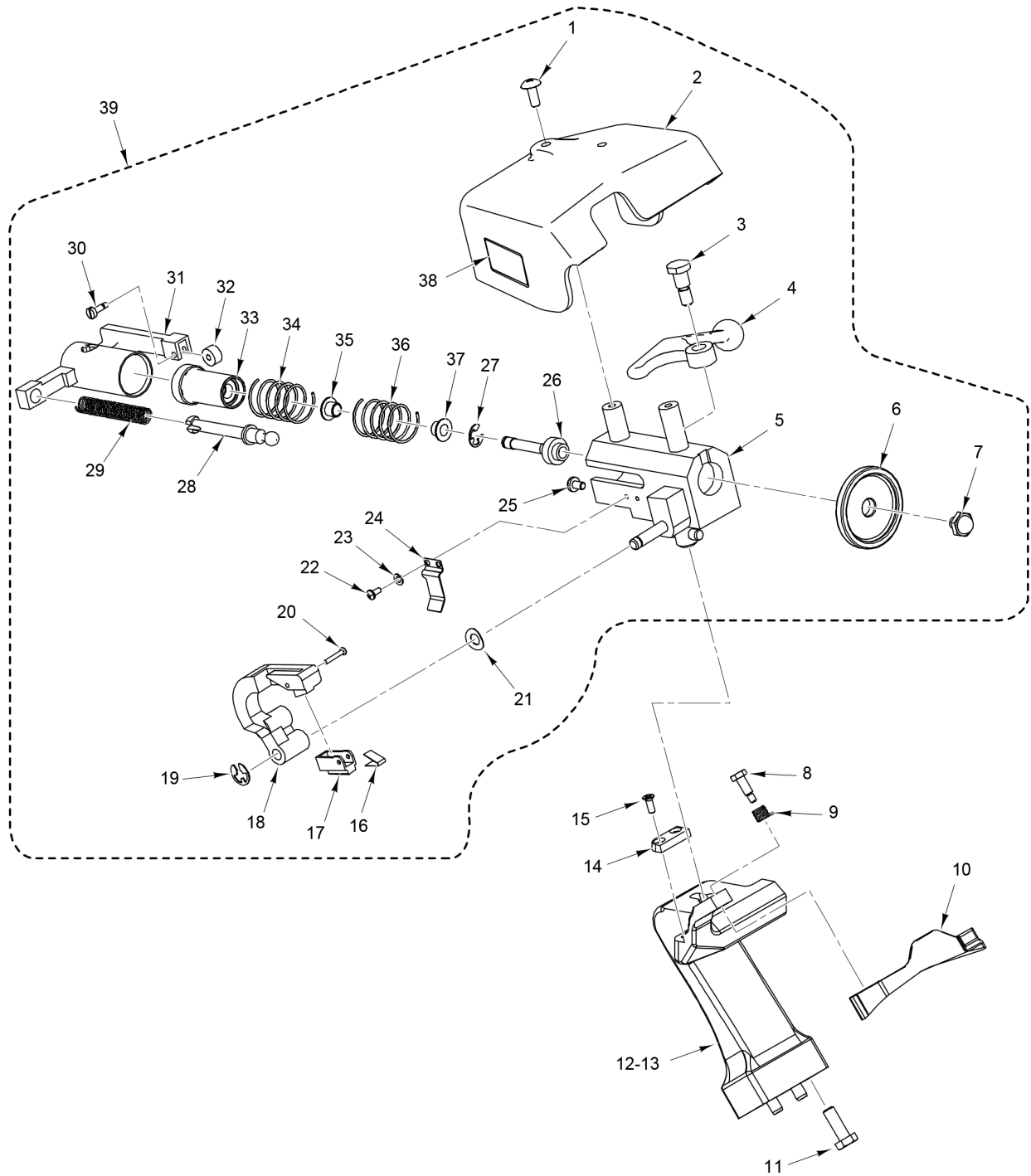


PL-60075

PRODUCT TRAY AND MEAT GRIP ASSEMBLY

PRODUCT TRAY AND MEAT GRIP ASSEMBLY

ILLUS.	PART NO.	NAME OF PART	AMT.
PL-60075			
1	00-915395-00002	Meat Grip Assy. (HS6 & HS7 Series) (Incls. Items 3, 4, & 6 thru 11).....	1
2	00-915395-00001	Meat Grip Assy. (HS8 & HS9 Series) (Incls. Items 3 & 5 thru 11).....	1
3	00-915257	Grip - Meat.....	1
4	00-915375-00002	Meat Grip Arm Assy. (HS6 & HS7 Series) (Incls. Items 6 thru 9).....	1
5	00-915375-00001	Meat Grip Arm Assy. (HS8 & HS9 Series) (Incls. Items 6 thru 9).....	1
6	00-914446	Pad - Stop.....	2
7	00-914452	Bearing - Grip Arm.....	1
8	00-914452	Bearing - Grip Arm.....	1
9	00-478254	Bushing.....	2
10	WS-021-21	Washer.....	1
11	00-914937	Handle - Meat Grip.....	1
12	00-915393	Product Tray Assy. (Incls. Items 13 thru 19).....	1
13	00-915275	Washer (Rubber).....	3
14	00-915268	Guard - Thumb.....	1
15	SC-131-61	Mach. Screw 1/4-20 x 3/4 Phil. Flat Hd. (SST).....	3
16	00-915259	Bracket - Support.....	1
17	SC-022-10	Mach. Screw 8-32 x 5/8 Slotted Flat Hd. (SST).....	4
18	00-915230-00002	Block - Support.....	1
19	SC-022-10	Mach. Screw 8-32 x 5/8 Slotted Flat Hd. (SST).....	4
20	00-915286	Slide Rod Assy.....	1
21	WS-031-53	Washer.....	2
22	00-915407	Shoulder Screw 1/2 Dia. 3/8-16.....	2
23	00-478021	Washer - Belleville.....	2
24	00-875450	Knob - Support Tray Assy.....	1
25	00-915400-00001	Tray Support Assy. (HS6 & HS7 Series) (Incls. Items 27 & 28).....	1
26	00-915400-00002	Tray Support Assy. (HS8 & HS9 Series) (Incls. Items 27 & 28).....	1
27	RP-006-51	Pin - Roll (0.375).....	1
28	00-439045	Stud - Drive.....	2
29	RR-012-17	Retaining Ring.....	1
30	SC-125-93	Mach. Screw 1/4-20 x 1 Phil. Flat Hd. (SST).....	2
31	00-915296	Handle - Tray.....	1
32	WS-003-49	Washer (SST).....	2
33	NS-025-04	Crown Nut 1/4-20 (SST).....	2

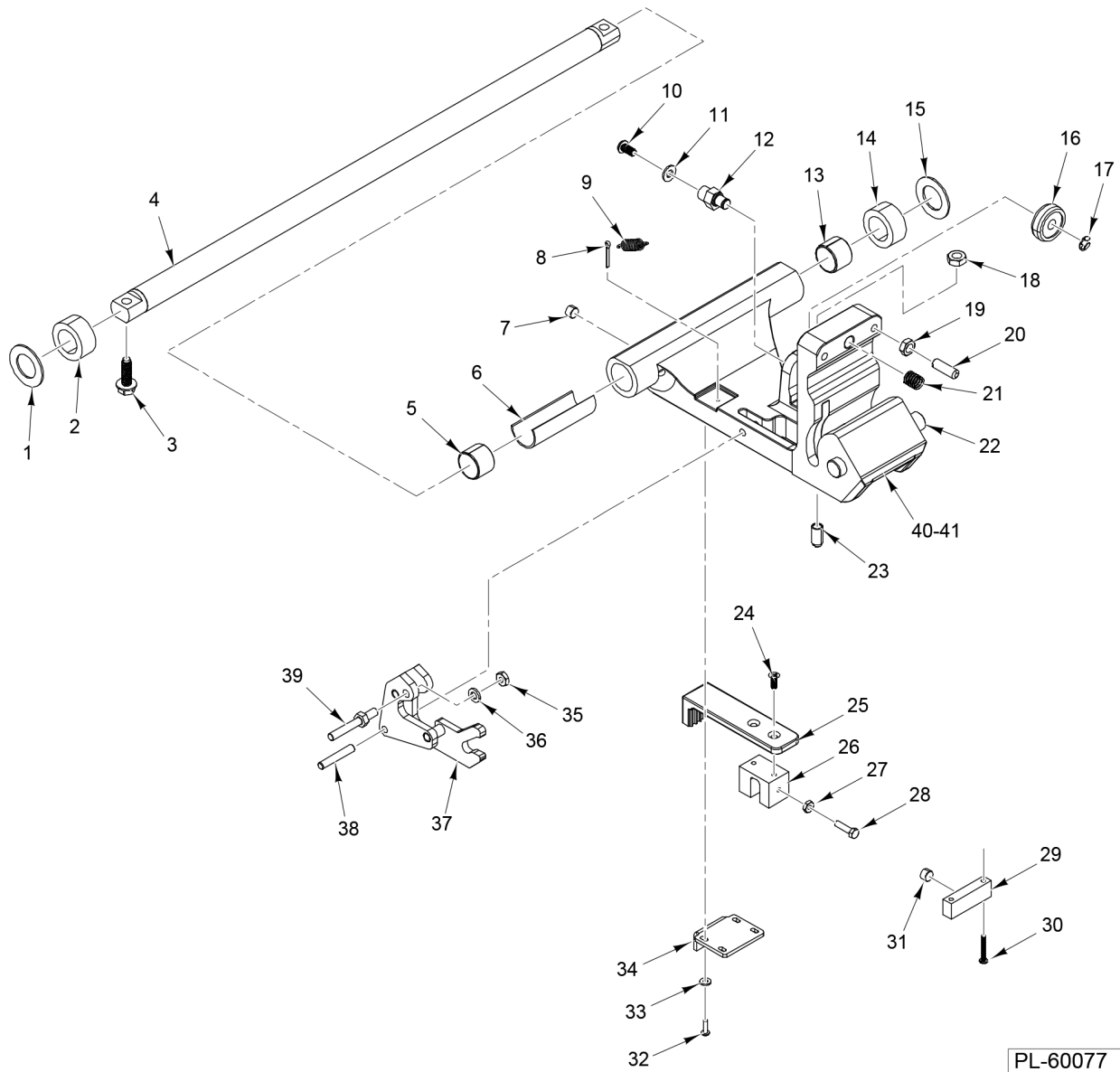


PL-60076

KNIFE SHARPENER ASSEMBLY

KNIFE SHARPENER ASSEMBLY

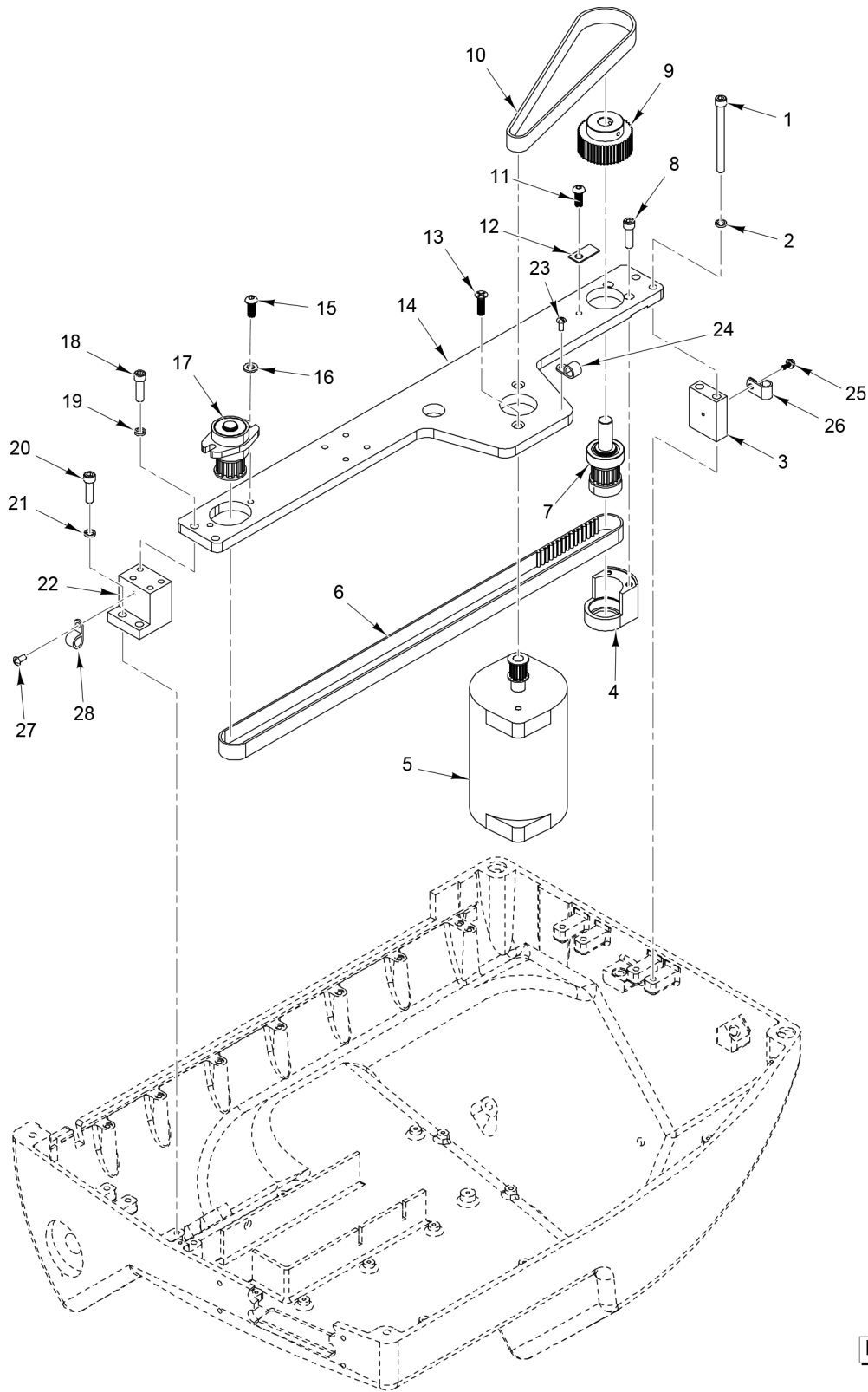
ILLUS.	PART NO.	NAME OF PART	AMT.
PL-60076			
1	SC-129-63	Mach. Screw 10-24 x 1/2 Phil. Truss Hd. (SST).....	2
2	00-914682	Cover & Plate Assy. (Incls. Item 38).....	1
3	00-479953	Shoulder Screw 1/4-20 x 3/8.....	1
4	00-875359	Handle - Sharpener Cam.....	1
5	00-914565	Housing & Stud Assy.....	1
6	00-439691	Stone Service Kit.....	1
7	00-914327	Screw - Pushing Cover.....	1
8	00-914410	Pin - Knife Protector.....	1
9	00-914424	Spring - Knife Protector.....	1
10	00-914504-00003	Protector - Knife Edge.....	1
11	SC-118-19	Cap Screw 1/4-20 x 3/4 Hex Hd.....	2
12	00-915290-00002	Mount - Sharpener Assy. (HS6 & HS7 Series) (Incls. Item 11).....	1
13	00-915290	Mount - Sharpener Assy. (HS8 & HS9 Series) (Incls. Item 11).....	1
14	00-914687	Spacer - Sharpener Mount.....	1
15	SC-022-79	Mach. Screw 6-32 x 3/8 Phil. Flat Hd. (SST).....	2
16	00-914414	Spring - Truing Stone.....	1
17	00-914413	Stone - Truing.....	1
18	00-914495-00002	Arm - Truing.....	1
19	RR-006-22	Retaining Ring 1/4 In. (SST).....	1
20	SC-129-65	Mach. Screw 2-56 x 5/8 Slotted Pan Hd.....	1
21	00-479527	Washer - Spring Crescent Shaped.....	1
22	SC-126-48	Mach. Screw 4-40 x 1/4 Phil. Pan Hd. (SST).....	2
23	WL-003-03	Lockwasher #4 Helical.....	2
24	00-914544	Spring - Sharpener Housing.....	1
25	SC-122-87	Mach. Screw 8-32 x 1/4 Slotted Pan Hd. (SST).....	1
26	00-873848	Shaft - Grinding Wheel.....	1
27	RR-006-22	Retaining Ring 1/4 In. (SST).....	1
28	00-914415	Rod - Truing Pusher.....	1
29	00-914416	Spring - Truing Arm.....	1
30	00-914329	Roller - Shoulder Screw.....	1
31	00-914323	Actuator.....	1
32	00-914328	Roller - Lock Release.....	1
33	00-873851	Plunger - Bearing Assy. (Incls. Items 35 & 37).....	1
34	00-438437	Spring - Return.....	1
35	00-873834	Bearing - Sharpener.....	1
36	00-875531	Spring - Main.....	1
37	00-873834	Bearing - Sharpener.....	1
38	00-914681	Label - Instruction.....	1
39	00-914571	Sharpener Assy. (Incls. Items 1 thru 7 & 16 thru 38).....	1



TRANSPORT CARRIAGE ASSEMBLY

TRANSPORT CARRIAGE ASSEMBLY

ILLUS.	PART NO.	NAME OF PART	AMT.
PL-60077			
1	00-435708	Washer - Backup (SST).....	1
2	00-915255	Bumper - Slide Rod.....	1
3	SD-033-08	Self-Tapping Screw 5/16-18 x 1 Hex Washer Hd., Type TT.....	2
4	00-438907	Slide - Rod.....	1
5	00-875658	Bearing - Transport (Metal).....	1
6	00-439017	Wick - Slide Rod Lubrication.....	1
7	00-915319	Magnet (HS7, HS8, & HS9 Series).....	1
8	PC-005-11	Cotter Pin 3/32 (HS8 & HS9 Series).....	1
9	00-915385	Spring - Extension Interlock (HS8 & HS9 Series).....	1
10	SC-131-70	Mach. Screw 1/4-28 x 1/2 Hex Button Hd. (SST).....	1
11	WS-003-49	Washer (SST).....	1
12	00-438911	Screw - Adjusting.....	1
13	00-875658	Bearing - Transport.....	1
14	00-915255	Bumper - Slide Rod.....	1
15	00-435708	Washer - Backup (SST).....	1
16	00-478420	Roller - Transport.....	1
17	RR-006-23	Retaining Ring.....	1
18	NS-017-20	Jam Nut 3/8-24 Hex.....	1
19	NS-018-06	Jam Nut 5/16-18 Hex (SST).....	2
20	SC-128-35	Set Screw 5/16-18 x 1 Slotted Hdls., Flat Pt.....	2
21	00-519826	Insert - Screw.....	1
22	00-915260	Rod - Tray Arm Mounting.....	1
23	00-477747	Set Screw - Special.....	1
24	SC-131-64	Mach. Screw 10-24 x 1/2 Phil. Flat Hd. (HS7 & HS9 Series).....	2
25	00-915416	Clip - Autodrive Clutch (HS7 & HS9 Series).....	1
26	00-915345	Block - Slider (HS7 & HS9 Series).....	1
27	NS-009-22	Nut 10-24 Hex (HS7 & HS9 Series).....	1
28	SC-110-31	Mach. Screw 10-24 x 3/4 Hex Hd. (HS7 & HS9 Series).....	1
29	00-915321	Block - Magnet (HS7 & HS9 Series).....	1
30	SC-125-37	Mach. Screw 6-32 x 1 Phil. Pan Hd. (HS7 & HS9 Series).....	2
31	00-915319	Magnet (HS7 & HS9 Series).....	1
32	SC-093-24	Mach. Screw 6-32 x 1/2 Phil. Pan Hd. (SST) (HS7 & HS9 Series).....	4
33	WS-023-01	Washer (HS7 & HS9 Series).....	4
34	00-915356	Bracket - Belt Grip (HS7 & HS9 Series).....	1
35	NS-018-01	Jam Nut 1/4-20 Hex (SST) (HS8 & HS9 Series).....	1
36	WL-006-17	Lockwasher 1/4 Helical (SST) (HS8 & HS9 Series).....	1
37	00-915312	Tray Interlock Assy. (HS8 & HS9 Series).....	1
38	00-558091	Pin (HS8 & HS9 Series).....	1
39	00-915249	Pin - Cam Lock (HS8 & HS9 Series).....	1
40	00-915592-00001	Carriage - Transport (HS6 Series) (Incls. Items 5, 6, 13, 21, & 22).....	1
41	00-915592-00002	Carriage - Transport (HS7, HS8, & HS9 Series) (Incls. Items 5, 6, 7, 13, 21, & 22)	1

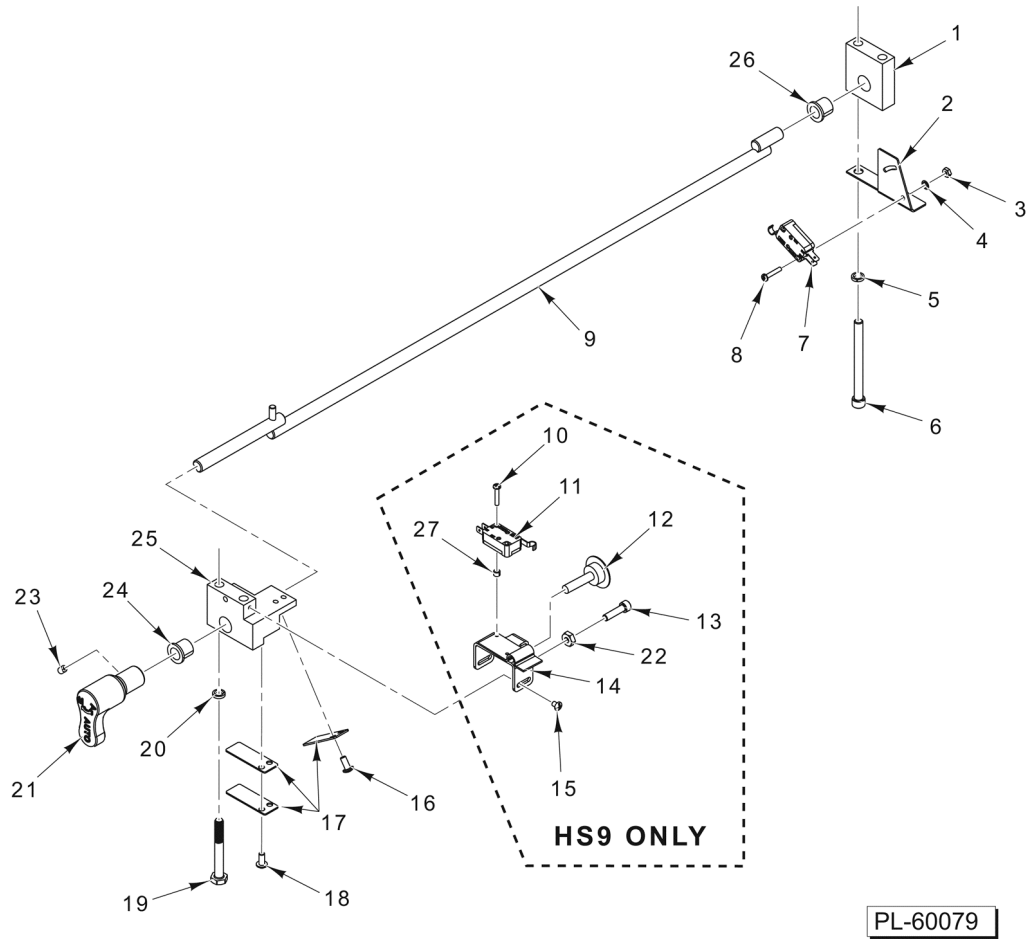


PL-60078

**AUTO DRIVE ASSEMBLY
(HS7 & HS9 SERIES)**

**AUTO DRIVE ASSEMBLY
(HS7 & HS9 SERIES)**

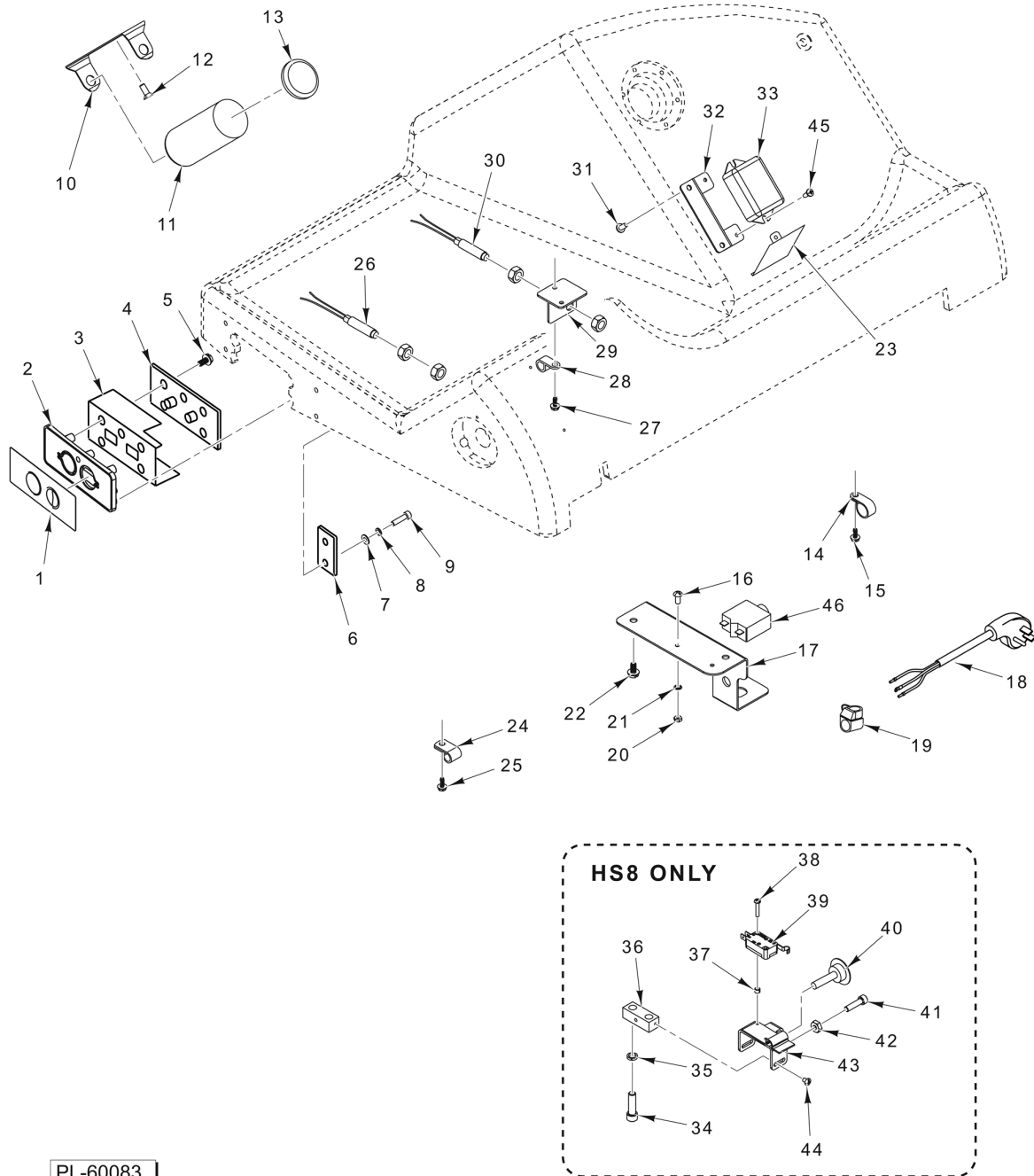
ILLUS. PL-60078	PART NO.	NAME OF PART	AMT.
1	SC-131-65	Cap Screw 1/4-20 x 2-3/4 Hex Socket Hd.....	2
2	WL-003-35	Lockwasher 1/4 Helical.....	2
3	00-915336	Block - Auto Drive.....	1
4	00-915403	Housing - Auto Drive.....	1
5	00-915399	Motor (Auto Drive) (Incls. Pulley).....	1
6	00-915371	Belt (Auto Drive).....	1
7	00-915578	Auto Transmission Assy.....	1
8	SC-118-65	Cap Screw M5 x 0.8 x 16mm Socket Fil. Hd.....	2
9	00-915372	Pulley (50T) (Incls. Set Screw).....	1
10	00-915373	Belt (150T).....	1
11	01-402175-02866	Cap Screw Socket Button Hd.....	1
12	00-915404	Plate - Auto Drive.....	1
13	SC-131-66	Mach. Screw M6 x 1.0 x 20mm Phil. Flat Hd.....	2
14	00-915332	Plate - Auto Drive Support.....	1
15	01-402175-02866	Cap Screw Socket Button Hd.....	2
16	01-402275-00587	Washer.....	2
17	01-404375-00224	Tensioner Assy.....	1
18	SC-089-03	Cap Screw 1/4-20 x 7/8 Hex Socket Hd.....	2
19	WL-003-35	Lockwasher 1/4 Helical.....	2
20	SC-089-03	Cap Screw 1/4-20 x 7/8 Hex Socket Hd.....	2
21	WL-003-35	Lockwasher 1/4 Helical.....	2
22	00-915333	Block - Offset (Auto Drive).....	1
23	SD-038-16	Self-Tapping Screw 6-32 x 3/8 Hex Washer Hd., Type RL.....	1
24	00-078752-00011	Clamp.....	1
25	SD-038-16	Self-Tapping Screw 6-32 x 3/8 Hex Washer Hd., Type RL.....	1
26	00-078752-00011	Clamp.....	1
27	SD-038-16	Self-Tapping Screw 6-32 x 3/8 Hex Washer Hd., Type RL.....	1
28	00-078752-00006	Clamp.....	1



**AUTO DRIVE LEVER
(HS7 & HS9 SERIES)**

**AUTO DRIVE LEVER
(HS7 & HS9 SERIES)**

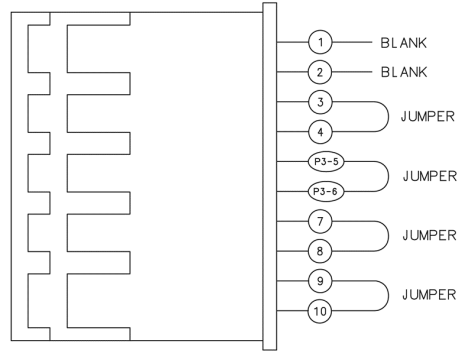
ILLUS. PL-60079	PART NO.	NAME OF PART	AMT.
1	00-915357	Block - Auto Drive Mounting.....	1
2	00-915325	Bracket - Auto Switch.....	1
3	NS-011-01	Nut 4-40 Hex (SST).....	2
4	WL-019-99	Lockwasher #4 Internal.....	2
5	WL-003-35	Lockwasher 1/4 Helical.....	2
6	SC-131-65	Cap Screw 1/4-20 x 2-3/4 Hex Socket Hd.....	2
7	00-087711-00358	Switch - Miniature.....	1
8	SC-131-68	Mach. Screw 4-40 x 5/8 Slotted Fil. Hd. (SST).....	2
9	00-915368	Rod Assy. - Auto-Engagement.....	1
10	SC-131-68	Mach. Screw 4-40 x 5/8 Slotted Fil. Hd. (SST) (HS9 Series).....	2
11	00-087711-00358	Switch - Miniature (HS9 Series).....	1
12	00-915294	Actuator (Close to Stop) (HS9 Series).....	1
13	SC-123-73	Mach. Screw 10-32 x 3/4 Hex Hd. (SST) (HS9 Series).....	1
14	00-915316	Bracket Assy. (HS9 Series).....	1
15	SC-131-67	Mach. Screw 6-32 x 3/16 Slotted Pan Hd. (SST) (HS9 Series).....	2
16	SC-120-35	Mach. Screw 8-32 x 3/8 Phil. Pan Hd. (SST).....	2
17	00-915370	Spring - Flat (Auto).....	3
18	SC-120-35	Mach. Screw 8-32 x 3/8 Phil. Pan Hd. (SST).....	2
19	SC-124-56	Cap Screw 1/4-20 x 2 Hex Hd.....	2
20	WL-003-35	Lockwasher 1/4 Helical.....	2
21	00-915387	Knob - Auto-Engagement.....	1
22	NS-049-32	Nut 10-32 Hex (HS9 Series).....	1
23	SC-125-19	Set Screw 10-32 x 1/4 Hex Hdls., Cup Pt. (SST).....	1
24	00-915374	Bearing - Sleeve (Flanged).....	1
25	00-915364	Block - Mount (Auto-Engagement).....	1
26	00-915374	Bearing - Sleeve (Flanged).....	1
27	00-478427	Spacer - Nylon (HS9 Series).....	2



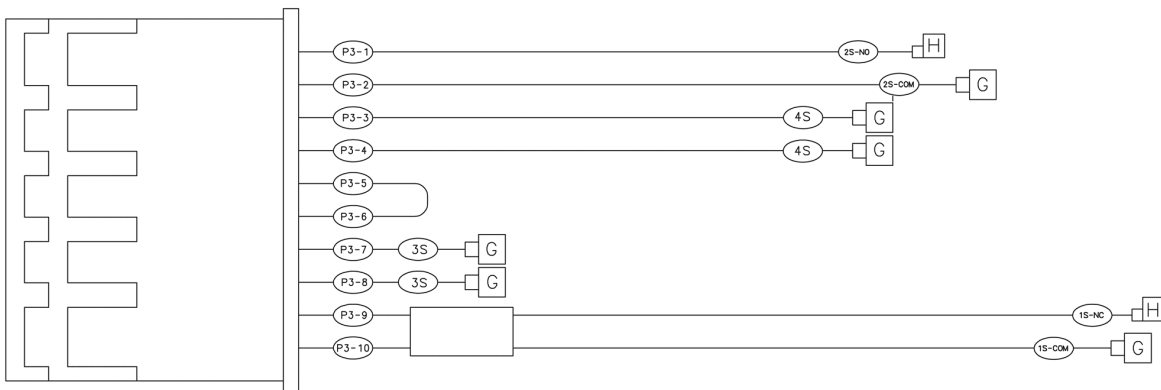
**CONTROLS AND ELECTRICAL COMPONENTS
(HS6 & HS8 SERIES)**

**CONTROLS AND ELECTRICAL COMPONENTS
(HS6 & HS8 SERIES)**

ILLUS. PL-60083	PART NO.	NAME OF PART	AMT.
1	00-915251	Overlay.....	1
2	00-915330	Bezel Assy. (Incls. Item 1).....	1
3	00-915337	Mylar - PCB.....	1
4	00-915267	Board - Control.....	1
5	SC-125-41	Mach. Screw 8-32 x 3/8 Phil. Truss Hd. (SST).....	4
6	00-915419	Washer - Bezel Mounting.....	2
7	WS-023-22	Washer (SST).....	4
8	WL-003-14	Lockwasher #8 Helical.....	4
9	SC-040-90	Cap Screw 8-32 x 5/8 Hex Socket Hd.....	4
10	00-066621-00001	Bracket - Capacitor.....	1
11	00-070487-00026	Capacitor - Motor Start.....	1
12	SD-024-16	Self-Tapping Screw 10-24 x 1/2 Phil. Flat Hd., Type TT.....	1
13	00-070486-00001	End Cap - Capacitor.....	1
14	00-438132-00002	Clamp (1/2).....	1
15	SD-038-16	Self-Tapping Screw 6-32 x 3/8 Hex Washer Hd., Type RL.....	1
16	SC-027-29	Mach. Screw 8-32 x 3/8 Slotted Rd. Hd. (Brass).....	1
17	00-915359	Bracket - Strain Relief.....	1
18	00-117542-00121	Cord & Plug Assy. (120 V.).....	1
19	FE-021-21	Strain Relief.....	1
20	NS-010-11	Nut 8-32 Hex (Brass).....	1
21	WL-010-01	Lockwasher #8 External Shakeproof.....	1
22	SD-039-68	Self-Tapping Screw 10-24 x 3/8 Hex Washer Hd., Type RL.....	2
23	00-915581	Shield - Finger.....	1
24	00-078752-00003	Clamp - Cable.....	AR
25	SD-038-16	Self-Tapping Screw 6-32 x 3/8 Hex Washer Hd., Type RL.....	AR
26	00-087711-00357	Switch - Reed (Incls. Nuts) (HS8 Series).....	1
27	SD-038-16	Self-Tapping Screw 6-32 x 3/8 Hex Washer Hd., Type RL (HS8 Series).....	2
28	00-078752-00006	Clamp (HS8 Series).....	1
29	00-915318	Bracket - Reed Switch (HS8 Series).....	1
30	00-087711-00357	Switch - Reed (Incls. Nuts) (HS8 Series).....	1
31	SD-015-40	Self-Tapping Screw 8-32 x 3/8 Phil. Pan Hd., Type TT.....	1
32	00-915288	Bracket - Start Switch.....	1
33	00-271612-00002	Switch - Electronic Start (50/60 Hz.).....	1
34	SC-089-03	Cap Screw 1/4-20 x 7/8 Hex Socket Hd.....	2
35	WL-003-35	Lockwasher 1/4 Helical.....	2
36	00-915317	Block - Interlock Mount (HS8 Series).....	1
37	00-478427	Spacer - Nylon (HS8 Series).....	2
38	SC-131-68	Mach. Screw 4-40 x 5/8 Slotted Fil. Hd. (SST) (HS8 Series).....	2
39	00-087711-00358	Switch - Miniature (HS8 Series).....	1
40	00-915294	Actuator (Close to Stop) (HS8 Series).....	1
41	SC-123-73	Mach. Screw 10-32 x 3/4 Hex Hd. (SST) (HS8 Series).....	1
42	NS-049-32	Nut 10-32 Hex (HS8 Series).....	1
43	00-915316	Bracket Assy. (HS8 Series).....	1
44	SC-131-67	Mach. Screw 6-32 x 3/16 Slotted Pan Hd. (SST) (HS8 Series).....	2
45	SD-015-38	Self-Tapping Screw 6-32 x 3/8 Phil. Pan Hd., Type TT.....	2
46	00-088196-016-2	Circuit Breaker.....	1



00-915276 Harness - Wire (J3) (HS6)



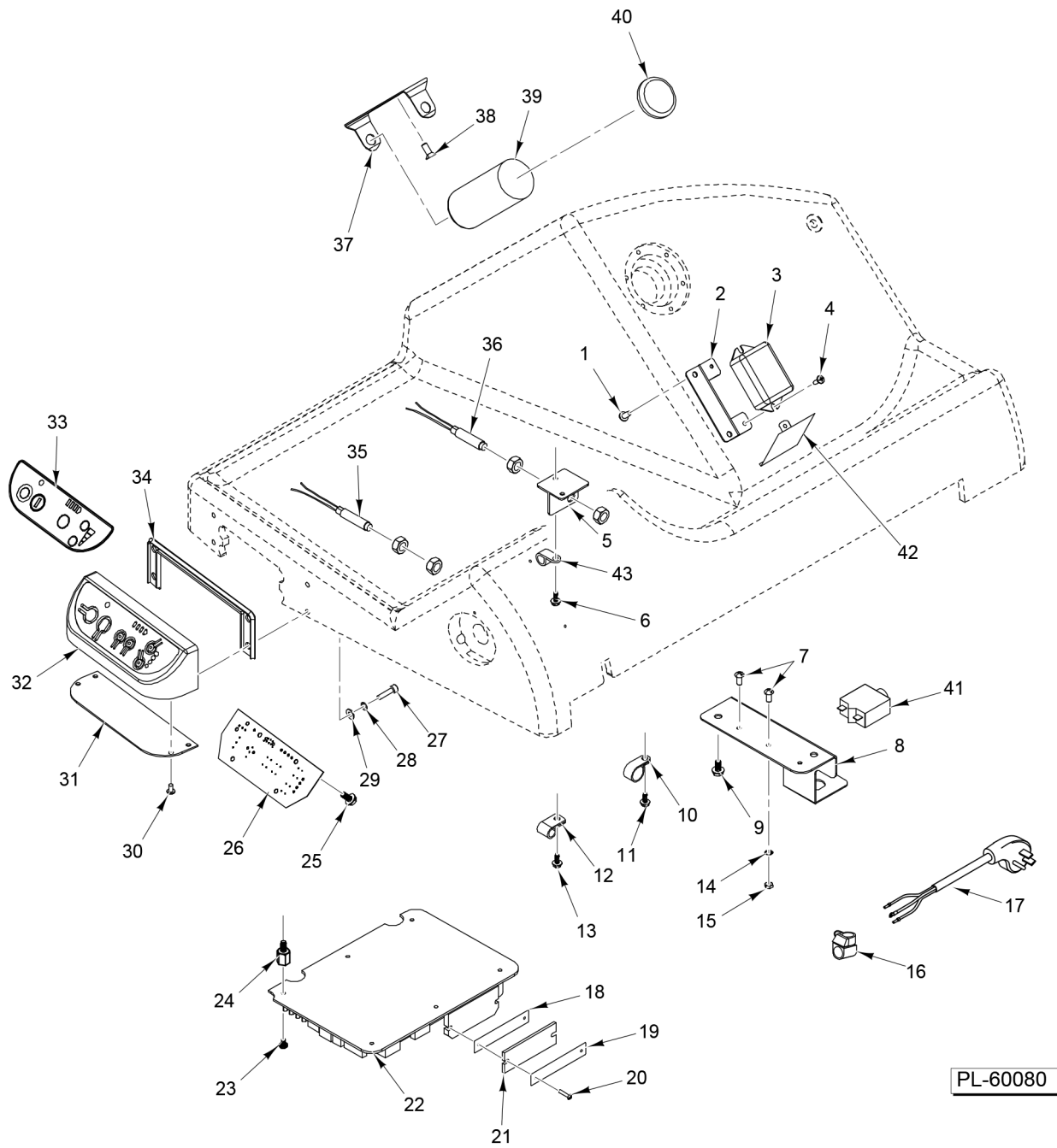
00-915264 Harness - Wire (J3) (HS8)

PL-60084

**WIRE HARNESES
(HS6 & HS8)**

**WIRE HARNESSSES
(HS6 & HS8)**

ILLUS.	PART NO.	NAME OF PART	AMT.
PL-60084			
1	00-915276	Harness - Wire (J3) (HS6).....	1
2	00-915264	Harness - Wire (J3) (HS8).....	1



PL-60080

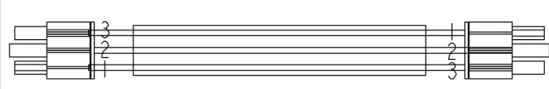
**CONTROLS AND ELECTRICAL COMPONENTS
(HS7 & HS9 SERIES)**

**CONTROLS AND ELECTRICAL COMPONENTS
(HS7 & HS9 SERIES)**

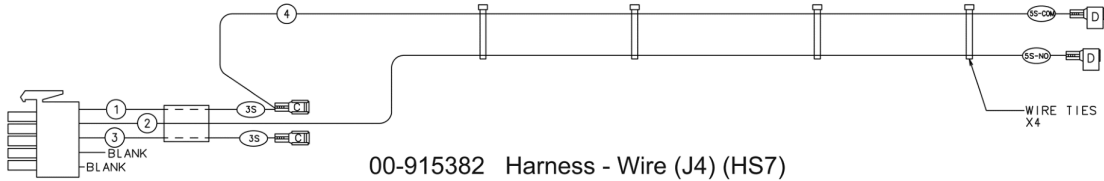
ILLUS.	PART NO.	NAME OF PART	AMT.
1	SD-015-40	Self-Tapping Screw 8-32 x 3/8 Phil. Pan Hd., Type TT.....	2
2	00-915288	Bracket - Start Switch.....	1
3	00-271612-00002	Switch - Electronic Start (50/60 Hz.).....	1
4	SD-015-38	Self-Tapping Screw 6-32 x 3/8 Phil. Pan Hd., Type TT.....	2
5	00-915318	Bracket - Reed Switch (HS9 Series).....	1
6	SD-038-16	Self-Tapping Screw 6-32 x 3/8 Hex Washer Hd., Type RL (HS9 Series).....	2
7	SC-027-29	Mach. Screw 8-32 x 3/8 Slotted Rd. Hd. (Brass).....	2
8	00-915349	Bracket - Strain Relief.....	1
9	SD-039-68	Self-Tapping Screw 10-24 x 3/8 Hex Washer Hd., Type RL.....	2
10	00-438132-00002	Clamp (1/2).....	1
11	SD-038-16	Self-Tapping Screw 6-32 x 3/8 Hex Washer Hd., Type RL.....	1
12	00-078752-00003	Clamp - Cable.....	1
13	SD-038-16	Self-Tapping Screw 6-32 x 3/8 Hex Washer Hd., Type RL.....	1
14	WL-010-01	Lockwasher #8 External Shakeproof.....	2
15	NS-010-11	Nut 8-32 Hex (Brass).....	2
16	FE-021-21	Strain Relief.....	1
17	00-117542-00121	Cord & Plug Assy. (120 V.).....	1
18	00-915517-00001	Bracket - Heatsink.....	1
19	00-915517-00002	Bracket - Heatsink.....	1
20	SC-131-68	Mach. Screw 4-40 x 5/8 Slotted Fil. Hd. (SST).....	2
21	00-915353	Pad - Heatsink.....	1
22	00-915280	Board - Control.....	1
23	SA-021-50	Screw Assy. 6-32 x 1/4 Phil. Pan Hd., Internal Lockwasher.....	4
24	00-915383	Standoff.....	4
25	SC-125-41	Mach. Screw 8-32 x 3/8 Phil. Truss Hd. (SST).....	4
26	00-915350	Board - Keypad.....	1
27	SC-040-90	Cap Screw 8-32 x 5/8 Hex Socket Hd.....	4
28	WL-003-14	Lockwasher #8 Helical.....	4
29	WS-023-22	Washer (SST).....	4
30	SD-037-75	Self-Tapping Screw 6-19 x 1/4 Phil. Pan Hd.....	8
31	00-915354	Bottom - Bezel (Auto).....	1
32	00-915334	Bezel Assy. (Auto) (Incls. Item 33).....	1
33	00-915346	Overlay.....	1
34	00-915389	Gasket - Bezel (Auto).....	1
35	00-087711-00357	Switch - Reed (Incls. Nuts).....	1
36	00-087711-00357	Switch - Reed (Incls. Nuts) (HS9 Series).....	1
37	00-066621-00001	Bracket - Capacitor.....	1
38	SD-024-16	Self-Tapping Screw 10-24 x 1/2 Phil. Flat Hd., Type TT.....	1
39	00-070487-00026	Capacitor - Motor Start.....	1
40	00-070486-00001	End Cap - Capacitor.....	1
41	00-088196-016-2	Circuit Breaker.....	1
42	00-915581	Shield - Finger.....	1
43	00-078752-00006	Clamp.....	1
	00-078752-00011	Clamp.....	1



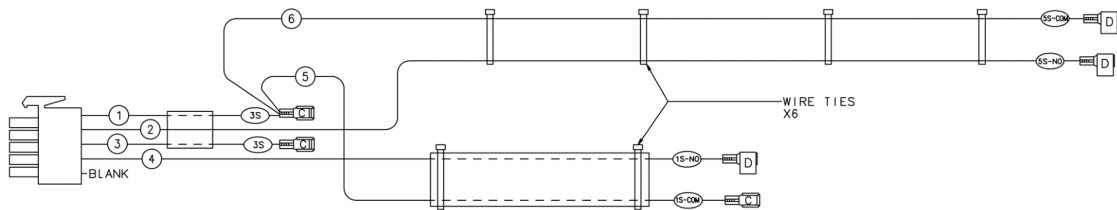
00-915323 Harness - Wire (J2) (HS7 & HS9)



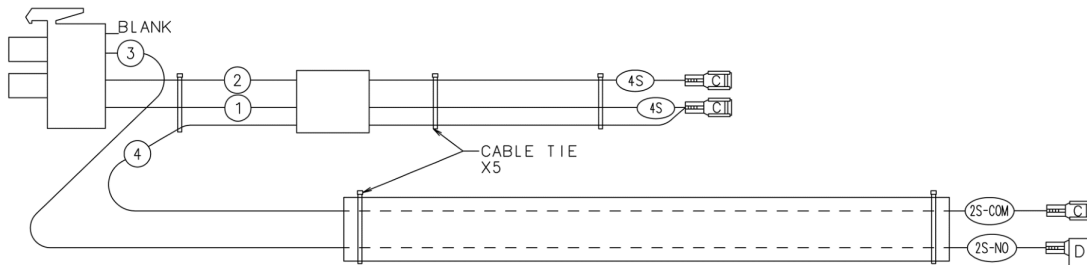
00-915320 Cable (J12) (HS7 & HS9)



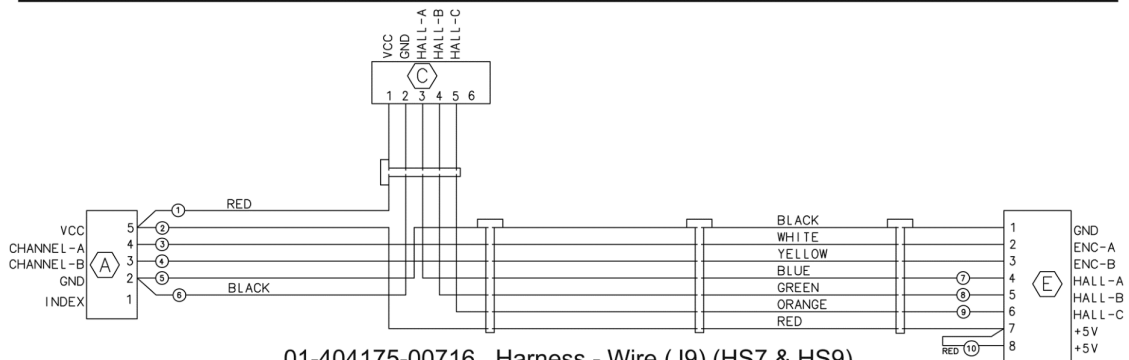
00-915382 Harness - Wire (J4) (HS7)



00-915326 Harness - Wire (J4) (HS9)



00-915327 Harness - Wire (J5) (HS9)



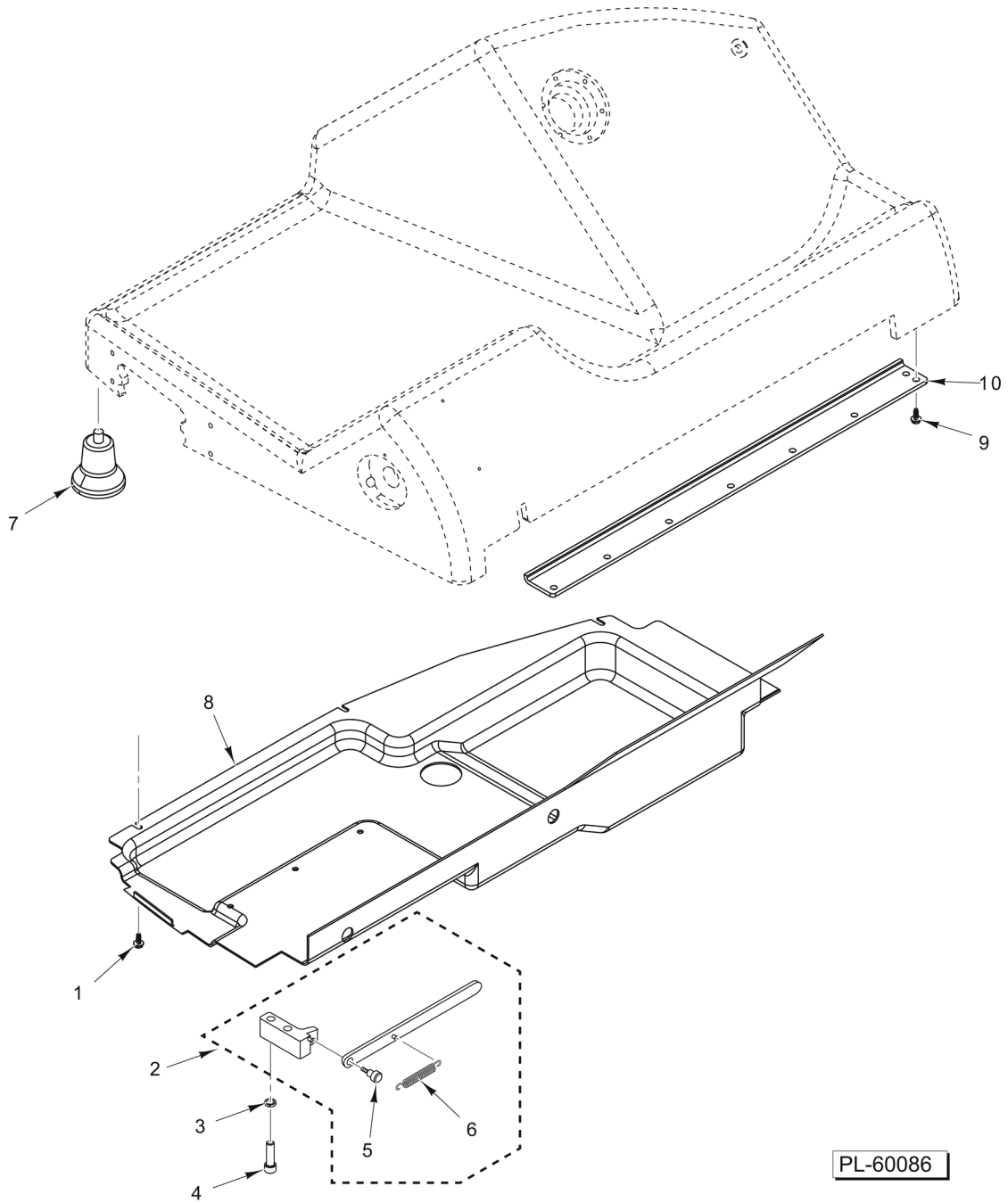
01-404175-00716 Harness - Wire (J9) (HS7 & HS9)

PL-60085

**WIRE HARNESSES
(HS7 & HS9)**

**WIRE HARNESES
(HS7 & HS9)**

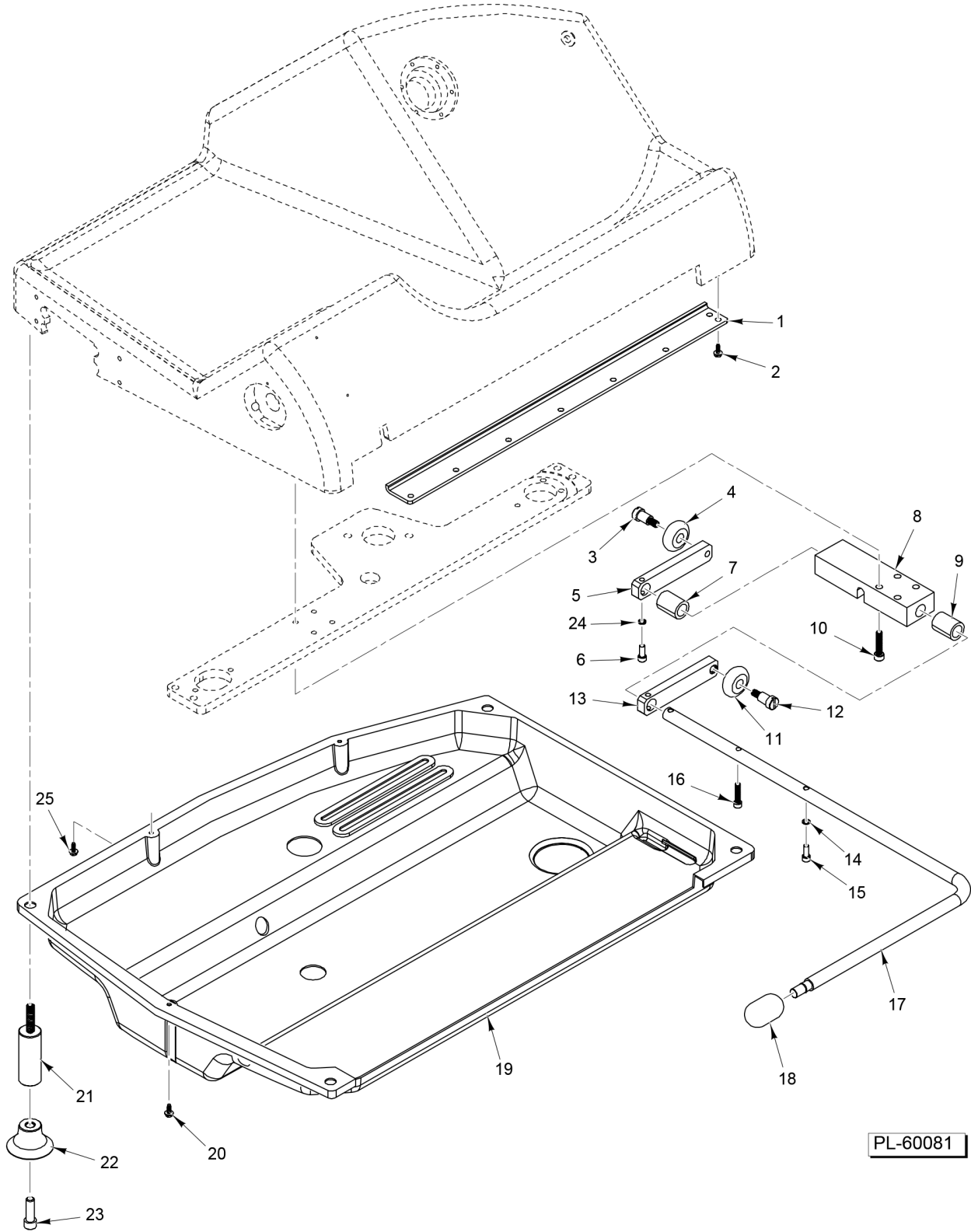
ILLUS.	PART NO.	NAME OF PART	AMT.
PL-60085			
1	00-915323	Harness - Wire (J2) (HS7 & HS9).....	1
2	00-915320	Cable (J12) (HS7 & HS9).....	1
3	00-915382	Harness - Wire (J4) (HS7).....	1
4	00-915326	Harness - Wire (J4) (HS9).....	1
5	00-915327	Harness - Wire (J5) (HS9).....	1
6	01-404175-00716	Harness - Wire (J9) (HS7 & HS9).....	1



**BASE AND KICK STAND
(HS6 & HS8 SERIES)**

**BASE AND KICK STAND
(HS6 & HS8 SERIES)**

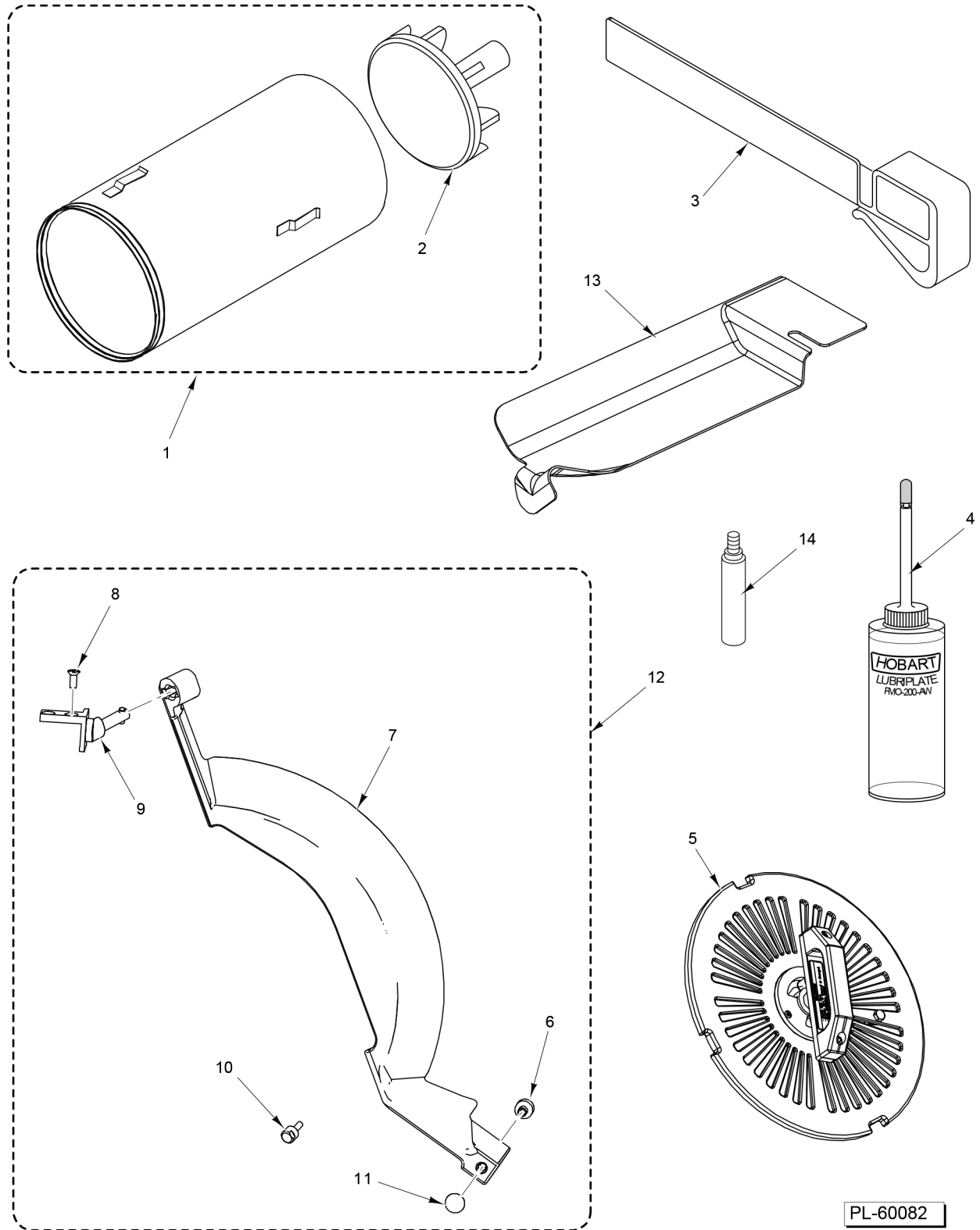
ILLUS.	PART NO.	NAME OF PART	AMT.
PL-60086			
1	SD-038-16	Self-Tapping Screw 6-32 x 3/8 Hex Washer Hd., Type RL.....	5
2	00-915340	Kick Stand Assy. (Incls. Items 5 & 6).....	1
3	WL-003-35	Lockwasher 1/4 Helical.....	2
4	SC-089-05	Cap Screw 1/4-20 x 1-1/2 Hex Socket Hd.....	2
5	01-403175-00525	Bolt - Shoulder.....	1
6	01-402375-00234	Spring.....	1
7	00-875371	Foot - Tall.....	4
8	00-915344	Cover - Bottom.....	1
9	SD-038-22	Self-Tapping Screw 10-24 x 1/2 Hex Washer Hd., Type RL.....	8
10	00-915252	Bar - Transport Roller.....	1



**AUTO BASE AND LIFT ASSIST LEVER
(HS7 & HS9 SERIES)**

**AUTO BASE AND LIFT ASSIST LEVER
(HS7 & HS9 SERIES)**

ILLUS. PL-60081	PART NO.	NAME OF PART	AMT.
1	00-915252	Bar - Transport Roller.....	1
2	SD-038-22	Self-Tapping Screw 10-24 x 1/2 Hex Washer Hd., Type RL.....	8
3	SC-131-71	Shoulder Screw 3/8 Dia. x 1/2 Lg. 1/4-20 x 7/16 Slotted Hd. (SST).....	1
4	00-108001	Foot - Lifting Lever.....	1
5	00-915409	Arm - Lifter.....	1
6	SC-109-68	Mach. Screw 10-32 x 7/16 Hex Hd.....	1
7	00-915413	Spacer - Lifter Assy.....	1
8	00-915406	Bearing Block - Lifter.....	1
9	00-915413	Spacer - Lifter Assy.....	1
10	SC-131-73	Cap Screw M6 x 1.0 x 30mm Hex Socket Hd. (SST).....	4
11	00-108001	Foot - Lifting Lever.....	1
12	SC-131-71	Shoulder Screw 3/8 Dia. x 1/2 Lg. 1/4-20 x 7/16 Slotted Hd. (SST).....	1
13	00-915409	Arm - Lifter.....	1
14	WL-006-05	Lockwasher #10 Helical.....	1
15	SC-109-68	Mach. Screw 10-32 x 7/16 Hex Hd.....	1
16	SC-131-69	Cap Screw 10-32 x 7/8 Hex Socket Hd. (SST).....	1
17	00-915408	Arm - Lever.....	1
18	00-875356	Handle - Lift Lever.....	1
19	00-915338	Cover - Bottom.....	1
20	SD-038-16	Self-Tapping Screw 6-32 x 3/8 Hex Washer Hd., Type RL.....	1
21	00-915418	Leg - Extension.....	4
22	00-914835	Foot - Base.....	4
23	SC-059-32	Cap Screw 5/16-18 x 1 Hex Socket Hd.....	4
24	WL-006-05	Lockwasher #10 Helical.....	1
25	SD-039-69	Self-Tapping Screw 6-32 x 3/4 Hex Washer Hd., Type RL.....	2



PL-60082

ACCESSORIES

ACCESSORIES

ILLUS.	PART NO.	NAME OF PART	AMT.
PL-60082			
1	00-915593	Food Chute Assy. (Packaged) (Incls. Item 2).....	1
2	00-075945	Pusher Assy. - Plate.....	1
3	00-915266	Fence - Product.....	1
4	00-915207	Bottle - Oil (4 Oz.).....	1
5	00-914603	Knife Removal Tool.....	1
6	00-914587	Foot - Adjustable Deflector.....	1
7	00-914585-00002	Deflector - Product.....	1
8	SC-022-79	Mach. Screw 6-32 x 3/8 Phil. Flat Hd. (SST).....	2
9	00-914649	Mount - Product Deflector.....	1
10	00-914596	Stud - Product Deflector.....	1
11	00-914597	Cap - Product Deflector.....	1
12	00-914702	Product Deflector Kit (Incls. Items 6 thru 11).....	1
13	00-915513	Deflector - Debris.....	1
14	00-915523	Leg Extension (4-1/2 In.) (Set of 4).....	1

