



CATALOG OF

REPLACEMENT PARTS



ELECTRIC COUNTER CONVECTION STEAMER HSF3, 4, & 5

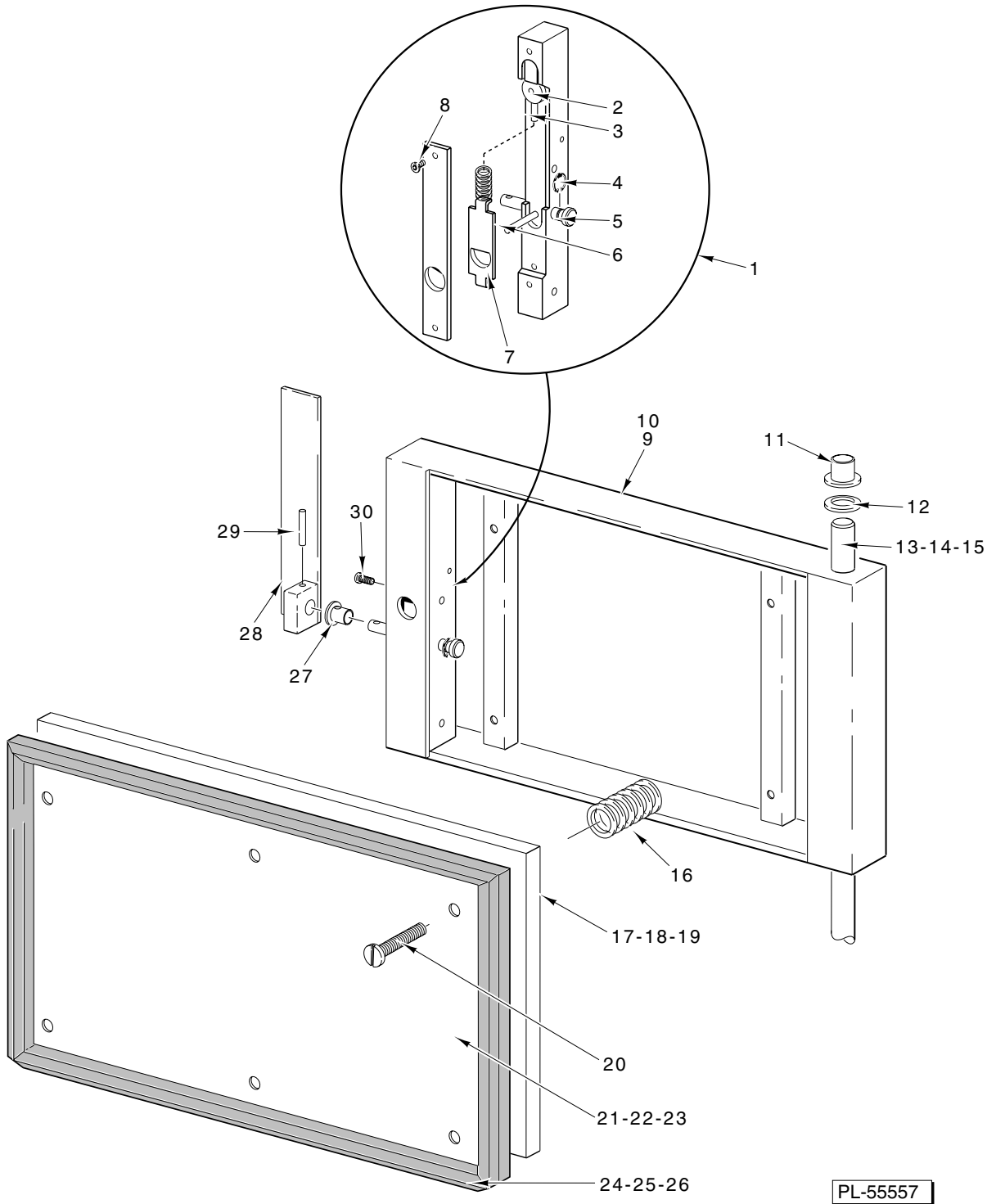


ML-52400	HSF3	7.5 kW
ML-52401	HSF3	10.0 kW
ML-52402	HSF4	10.0 kW
ML-52403	HSF5	15.0 kW

PRIOR MLS COVERED:

ML-52804	HSF3	7.5 kW
ML-52805	HSF3	10.0 kW
ML-52819	HSF4	10.0 kW
ML-52821	HSF5	15.0 kW



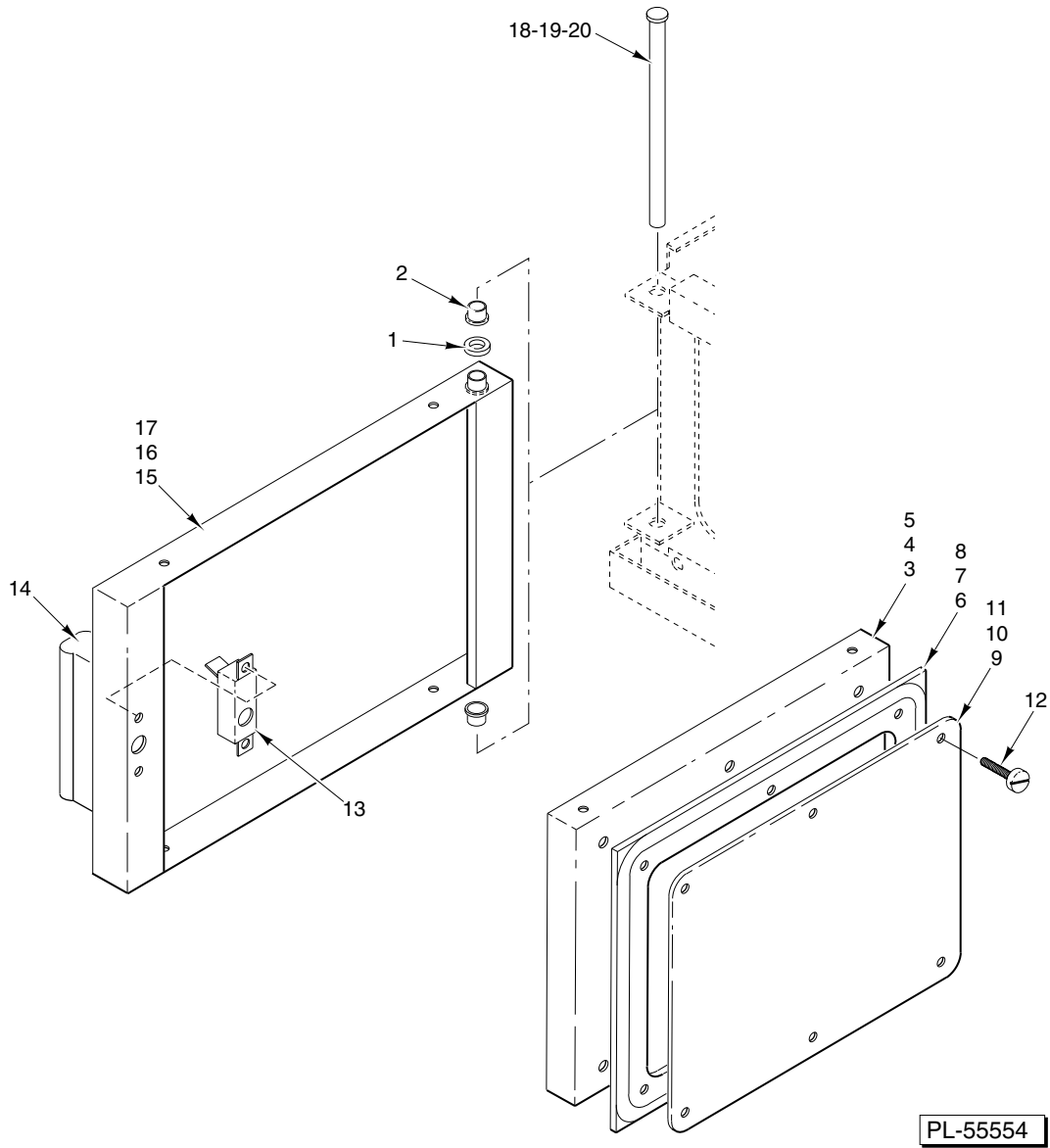


**DOOR
(PREVIOUS CONSTRUCTION)**

PULL HANDLE	
MODEL	ML
HSF3	52804 & 52805
HSF4	52818 & 52819
HSF5	52820 & 52821

**DOOR
(PREVIOUS CONSTRUCTION)**

ILLUS. PL-55557	PART NO.	NAME OF PART	AMT.
1	00-836976	Door Latch Assy. (Incls. Items 2 thru 8)	1
2	00-840489	Pin – Lock	1
3	00-840487	Pin – Spring Tension	1
4	00-840484	Retaining Ring	1
5	00-840481	Pin – Latch	1
6	00-840500	Pin – Spring Tension	1
7	00-840480	Locking Device	1
8	00-840483	Plate – Enclosure	1
9	00-840477	Panel – Door (HSF3)	1
10	00-843842	Panel – Door (HSF4 or HSF5)	1
11	00-840479	Bushing – Bronze	2
12	00-840493	Bushing – Bronze	1
13	00-840491	Rod – Hinge (HSF3)	1
14	00-843850	Rod – Hinge (HSF4)	1
15	00-843851	Rod – Hinge (HSF5)	1
16	00-836975	Spring – Compression	6
17	00-836974	Plate – Mounting (HSF3)	1
18	00-843844	Plate – Mounting (HSF4)	1
19	00-843845	Plate – Mounting (HSF5)	1
20	SC-120-81	Mach. Screw 1/4-20 x 1 1/2 Bndg. Hd.	AR
21	00-836973	Plate – Gasket (HSF3)	1
22	00-843848	Plate – Gasket (HSF4)	1
23	00-843849	Plate – Gasket (HSF5)	1
24	00-836919	Gasket – Door (HSF3)	1
25	00-843846	Gasket – Door (HSF4)	1
26	00-843847	Gasket – Door (HSF5)	1
27	00-840479	Bushing – Bronze	1
28	00-840485	Handle – Door	1
29	RP-002-13	Roll Pin	1
30	SC-115-42	Mach. Screw 10-32 x 1 Truss Hd.	2
	00-840492	Door Assy. (HSF3)	1
	00-843852	Door Assy. (HSF4)	1
	00-843853	Door Assy. (HSF5)	1



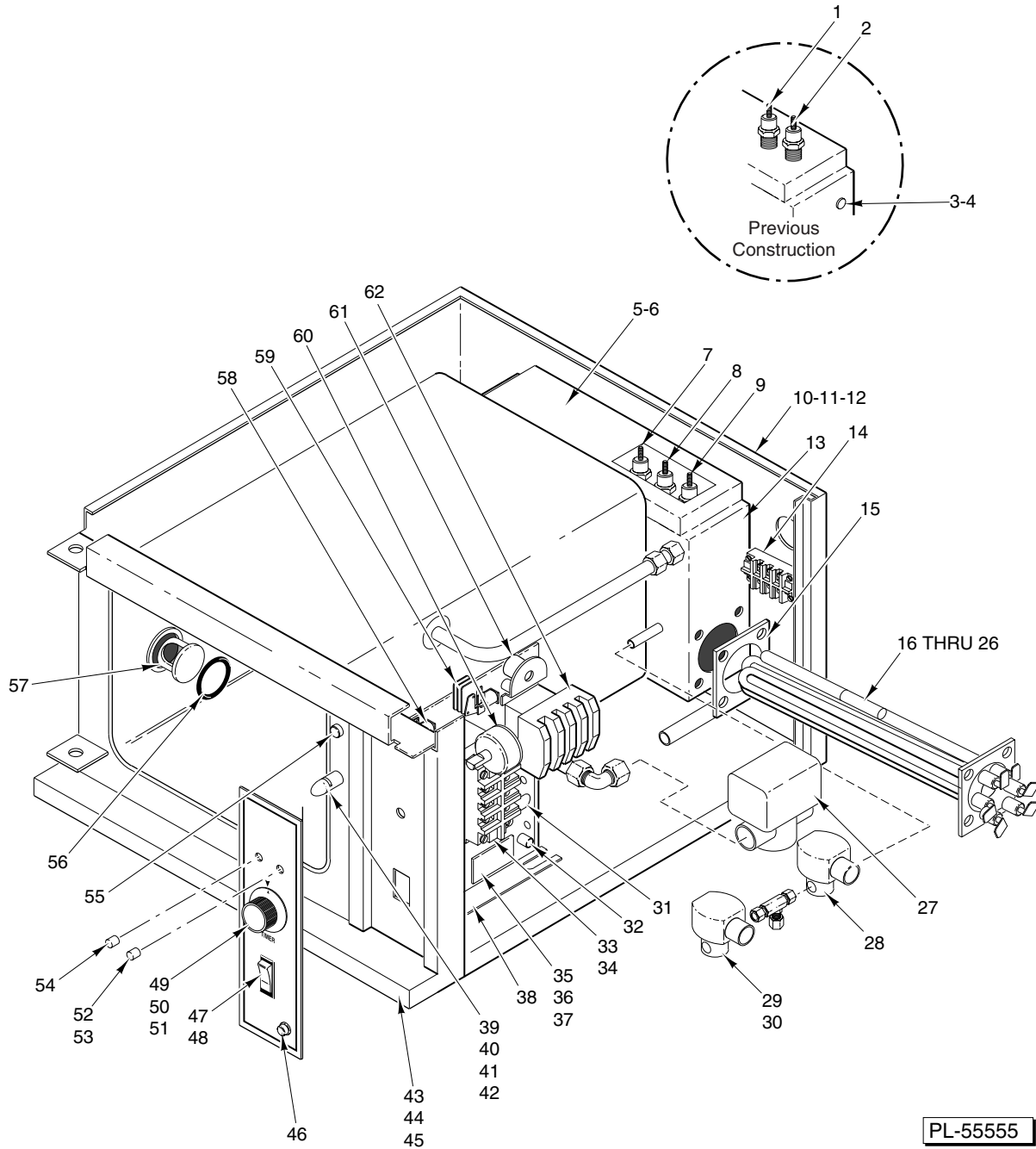
**DOOR
(CURRENT CONSTRUCTION)**

SLIDE HANDLE	
MODEL	ML
HSF3	52400 & 52401
HSF4	52402
HSF5	52403
HSF90	52461

**DOOR
(CURRENT CONSTRUCTION)**

ILLUS. PL-55554	PART NO.	NAME OF PART	AMT.
1	00-850447	Spacer	2
2	00-840493	Bushing – Bronze	4
3	00-844195	Panel – Door (HSF3)	1
4	00-845587	Panel – Door (HSF4)	1
5	00-845588	Panel – Door (HSF5)	1
6	00-844196	Gasket – Door (HSF3)	1
7	00-844384	Gasket – Door (HSF4)	1
8	00-844385	Gasket – Door (HSF5)	1
9	00-851224	Plate – Gasket (HSF3)	1
10	00-851417	Plate – Gasket (HSF4)	1
11	00-851418	Plate – Gasket (HSF5)	1
12	00-844453	Screw 10-32 x 1/2 Dimple Hd.	AR
13	00-844194	Latch Assy.	1
14	00-844193	Handle – Door	1
15	00-844192	Panel – Door (HSF3)	1
16	00-845585	Panel – Door (HSF4)	1
17	00-845586	Panel – Door (HSF5)	1
18	00-850448	Rod – Hinge (HSF3)	1
19	00-851411	Rod – Hinge (HSF4)	1
20	00-851004	Rod – Hinge (HSF5)	1
	00-844191	Door Assy. (HSF3) (Incls. Items 2, 3, 6, 9, 13, 14, & 15)	1
	00-845583	Door Assy. (HSF4) (Incls. Items 2, 4, 7, 10, 13, 14, & 16)	1
	00-845584	Door Assy. (HSF5) (Incls. Items 2, 5, 8, 11, 13, 14, & 17)	1

ELECTRIC COUNTER CONVECTION STEAMER HSF3, 4, & 5 REPLACEMENT PARTS



GENERAL ASSEMBLY

ILLUS. PL-55555	PART NO.	NAME OF PART	AMT.
1	00-844157	Probe – Low Level	1
2	00-844156	Probe – High Level	1
3	FP-028-11	Plug – Drain (Top Position)	1
4	00-843805	Plug – Drain (Bottom Position)	1
5	00-843809	Gasket – Tank	1
*6	00-850484	Cover – Tank	1
*7	00-850482	Probe – Low Level Cut-Off	1
*8	00-850483	Probe – Low Level	1

ELECTRIC COUNTER CONVECTION STEAMER HSF3, 4, & 5 REPLACEMENT PARTS

GENERAL ASSEMBLY (Cont.)

ILLUS. PL-55555	PART NO.	NAME OF PART	AMT.
*9	00-844156	Probe – High Level	1
10	00-850332	Panel – End (HSF3)	1
11	00-850333	Panel – End (HSF4)	1
12	00-850334	Panel – End (HSF5)	1
13	00-854312	Tank – Steam Generator	1
14	00-840511	Terminal Block Assy.	1
15	00-836926	Gasket – Element	1
16	00-836927	Element Assy. (208 V., 7.5 kW) (HSF3)	1
17	00-836928	Element Assy. (240 V., 7.5 kW) (HSF3)	1
18	00-836929	Element Assy. (480 V., 7.5 kW) (HSF3)	1
19	00-843821	Element Assy. (208 V., 10.0 kW) (HSF3 or 4)	1
20	00-843822	Element Assy. (240 V., 10.0 kW) (ML-52805 & ML-52819)	1
21	00-851408	Element Assy. (240 V., 10.0 kW) (ML-52401 & ML-52402)	1
22	00-843823	Element Assy. (480 V., 10.0 kW) (ML-52805 & ML-52819)	1
23	00-851409	Element Assy. (480 V., 10.0 kW) (ML-52401 & ML-52402)	1
24	00-843937	Element Assy. (208 V., 15.0 kW) (HSF5)	1
25	00-843938	Element Assy. (240 V., 15.0 kW) (HSF5)	1
26	00-843939	Element Assy. (480 V., 15.0 kW) (HSF5)	1
27	00-843804	Solenoid – Blowdown	1
28	00-853340	Solenoid – Fill	1
29	00-853340	Solenoid – Cooling (HSF3 & 4)	1
30	00-843944	Solenoid – Cooling (HSF5)	1
31	00-850429-00001	Thermostat – High Limit	1
32	00-881973	Thermostat	1
33	00-843818	Control – Level (2 Probe, Mechanical)	1
*34	00-850481	Control – Level (3 Probe, Solid State)	1
35	00-844391	Transformer – Delime (208/240 V.)	1
36	00-881978	Transformer (480 V.)	1
37	00-355926	Circuit Board – Delime	1
38	00-851407	Plate – Component Mounting	1
39	00-840496	Striker	1
40	WS-030-38	Washer 1/2 (SST)	1
41	WL-006-36	Lockwasher 1/2 (SST)	1
42	NS-015-16	Nut 1/4-20 Hex (SST)	1
43	00-843854	Trough – Perforated (ML-52819)	1
44	00-843855	Trough – Perforated (ML-52821)	1
45	00-840495	Trough – Perforated (ML-52805, ML-52400, ML-52401, ML-52402, & ML-52403)	1
46	00-844388	Light – Pilot, Delime Generator (Amber)	1
47	00-836920	Switch – On/Off	1
48	00-844422	Switch – On/Off/Delime	1
49	00-843781-00001	Knob – Timer (60 Hz.) (ML-52804, ML-52805, ML-52819, & ML-52821)	1
50	00-843781-00002	Knob – Timer (50 Hz.) (ML-52804, ML-52805, ML-52819, & ML-52821)	1
51	00-843781-00003	Knob – Timer (ML-52400, ML-52401, ML-52402, & ML-52403)	1
52	00-843808	Light – Pilot (Red) (ML-52804, ML-52805, ML-52819, & ML-52821)	1
53	00-844367-00007	Light – Pilot (Red) (ML-52400, ML-52401, ML-52402, & ML-52403)	1
54	00-843807	Light – Pilot (Green)	1
55	00-842049	Switch – Door	1
56	00-844201	O-Ring	1
57	00-850041	Descaling Assy.	1
58	00-843812	Relay – Single	1
59	00-843813	Relay – Double	1
60	00-411690-00002	Timer	1
61	00-851768	Buzzer	1
62	00-881975	Contactactor	2
	00-840499	Rack – Pan (HSF3)	1
	00-843859	Rack – Pan (HSF4)	1
	00-843860	Rack – Pan (HSF5)	1
	00-840494	Screen – Drain Comp.	1
	00-844160	Strainer – Water	1
	00-850529	Kit – Conversion (Incls. Items 5, 6, 7, 8, 9, 31, & 34)	1

*Used On Units With Beginning Serial Numbers of:

HSF3 - AP1007104-9Q-4565

HSF4 - AP1007141-9Q-4615

HSF5 - AP1007555-11Q-5522

