



CATALOG OF

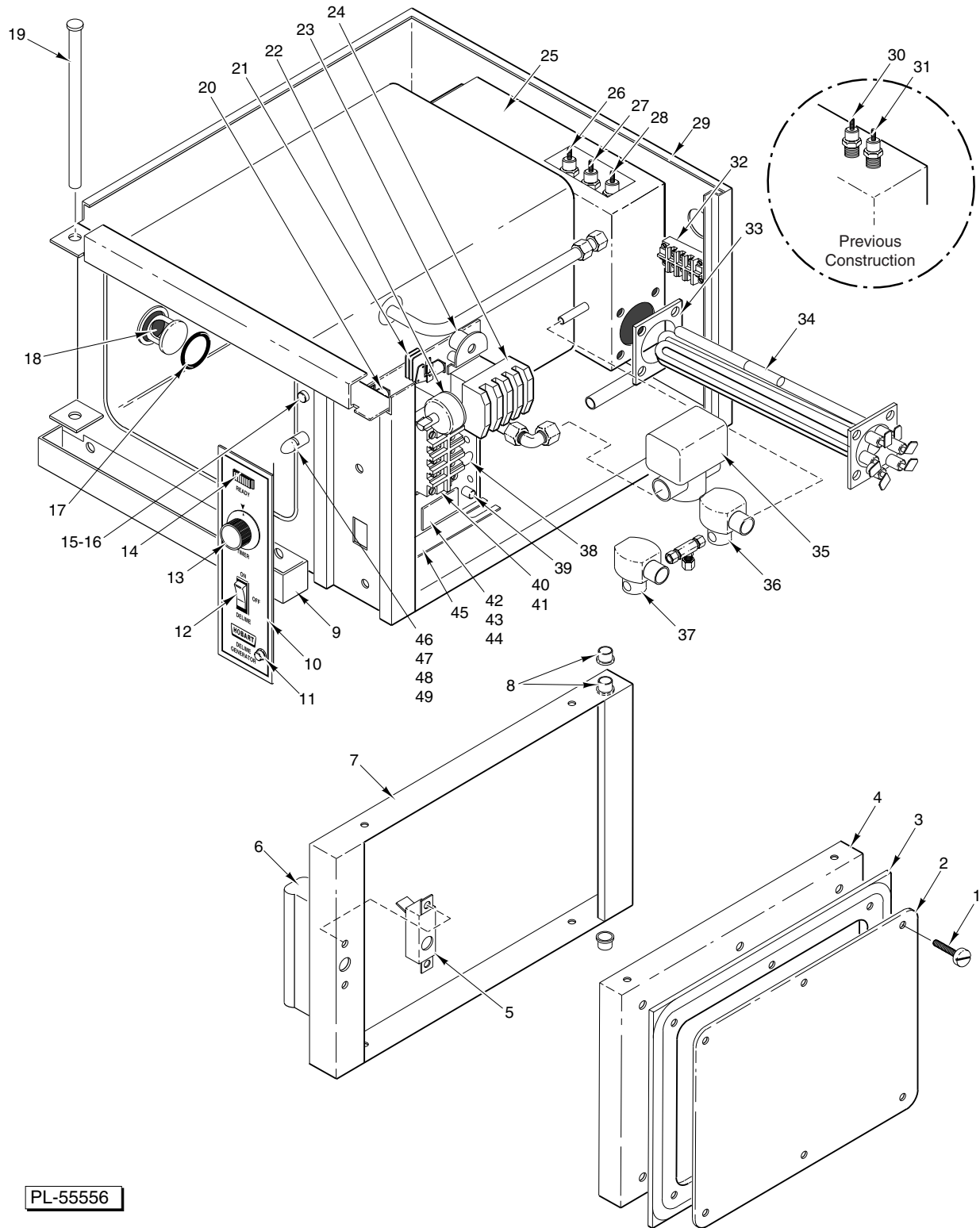
REPLACEMENT PARTS



**MODEL HSF90
ELECTRIC COUNTERTOP
CONVECTION STEAMER**

ML-52461

MODEL HSF90 ELECTRIC COUNTERTOP CONVECTION STEAMER REPLACEMENT PARTS



PL-55556

HSF90 ELECTRIC COUNTERTOP
CONVECTION STEAMER

**HSF90 ELECTRIC COUNTERTOP
CONVECTION STEAMER**

ILLUS. PL-55556	PART NO.	NAME OF PART	AMT.
1	00-844453	Screw 10-32 x 1/2 Dimple Hd.	6
2	00-851224	Plate – Gasket	1
3	00-844196	Gasket – Door	1
4	00-844195	Panel – Door	1
5	00-844194	Latch Assy.	1
6	00-844193	Handle – Door	1
7	00-844192	Panel – Door	1
8	00-840493	Bushing – Bronze	4
9	00-844261	Trough	1
10	00-844392	Decal – Control Panel	1
11	00-844388	Light – Pilot (Delime Generator)	1
12	00-844422	Switch	1
13	00-881995	Knob	1
14	00-881972	Light – Pilot	1
15	00-842049	Switch – Door	1
16	00-844197	Actuator – Door	1
17	00-844201	O-Ring	1
18	00-850041	Descaling Assy.	1
19	00-850618	Rod – Hinge	1
20	00-843812	Relay – Single	1
21	00-843813	Relay – Double	1
22	00-411690-00002	Timer	1
23	00-844330	Buzzer	1
24	00-844329	Contactactor	1
*25	00-850485	Tank – Steam Generator (3 Probe, Solid State)	1
*26	00-850482	Probe – Low Level Cut-Off	1
*27	00-850483	Probe – Low Level	1
*28	00-844156	Probe – High Level	1
29	00-843969	Panel – End	1
30	00-844157	Probe – Low Level	1
31	00-844156	Probe – High Level	1
32	00-840511	Terminal Block Assy.	1
33	00-836926	Gasket – Element	1
34	00-836927	Element Assy. (208 V., 7.5 kW)	1
35	00-843804	Solenoid – Blowdown	1
36	00-853340	Solenoid – Fill	1
37	00-853340	Solenoid – Cooling	1
38	00-850429-00001	Thermostat – High Limit	1
39	00-881973	Thermostat	1
40	00-843818	Control – Level (2 Probe, Mechanical)	1
*41	00-850481	Control – Level (3 Probe, Solid State)	1
42	00-355926	Circuit Board – Delime	1
43	00-844391	Transformer (208/240 V.)	1
44	00-843813	Relay	1
45	00-851407	Plate – Component Mounting	1
46	00-840496	Striker	1
47	WS-030-38	Washer 1/2 (SST)	1
48	WL-006-36	Lockwasher 1/2 (SST)	1
49	NS-015-16	Nut 1/2-20 Hex (SST)	1
	00-841917	Top (SST)	1
	00-840499	Rack – Pan	1
	00-844191	Door Assy. (Incls. Items 2 thru 8)	1
	00-817972	Kit – CLR Treatment	1

*Used On Units With Serial Number AP1007738-9Q4798 & Later

