



CATALOG OF REPLACEMENT PARTS

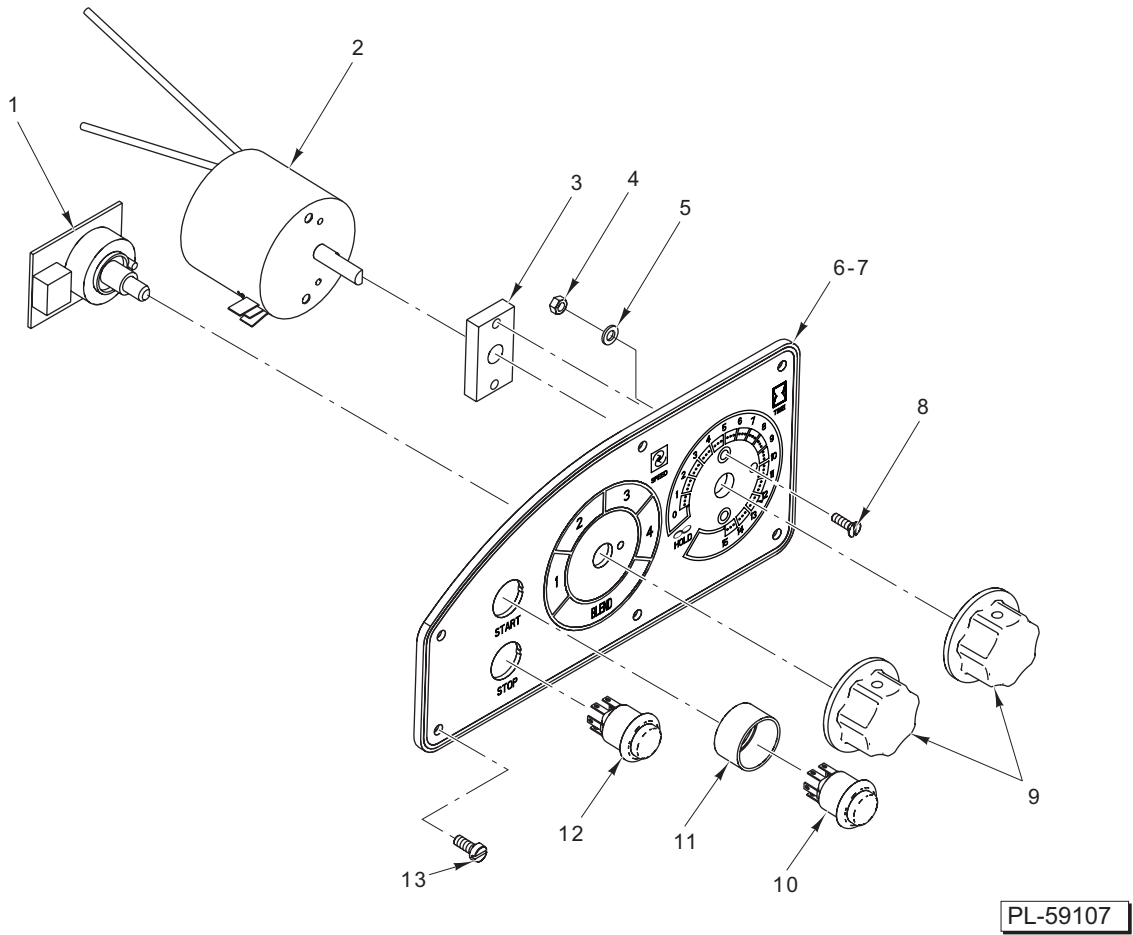


HS300 QUART MIXER

ML-134453
ML-134473
ML-134474
ML-134475

Table of Contents

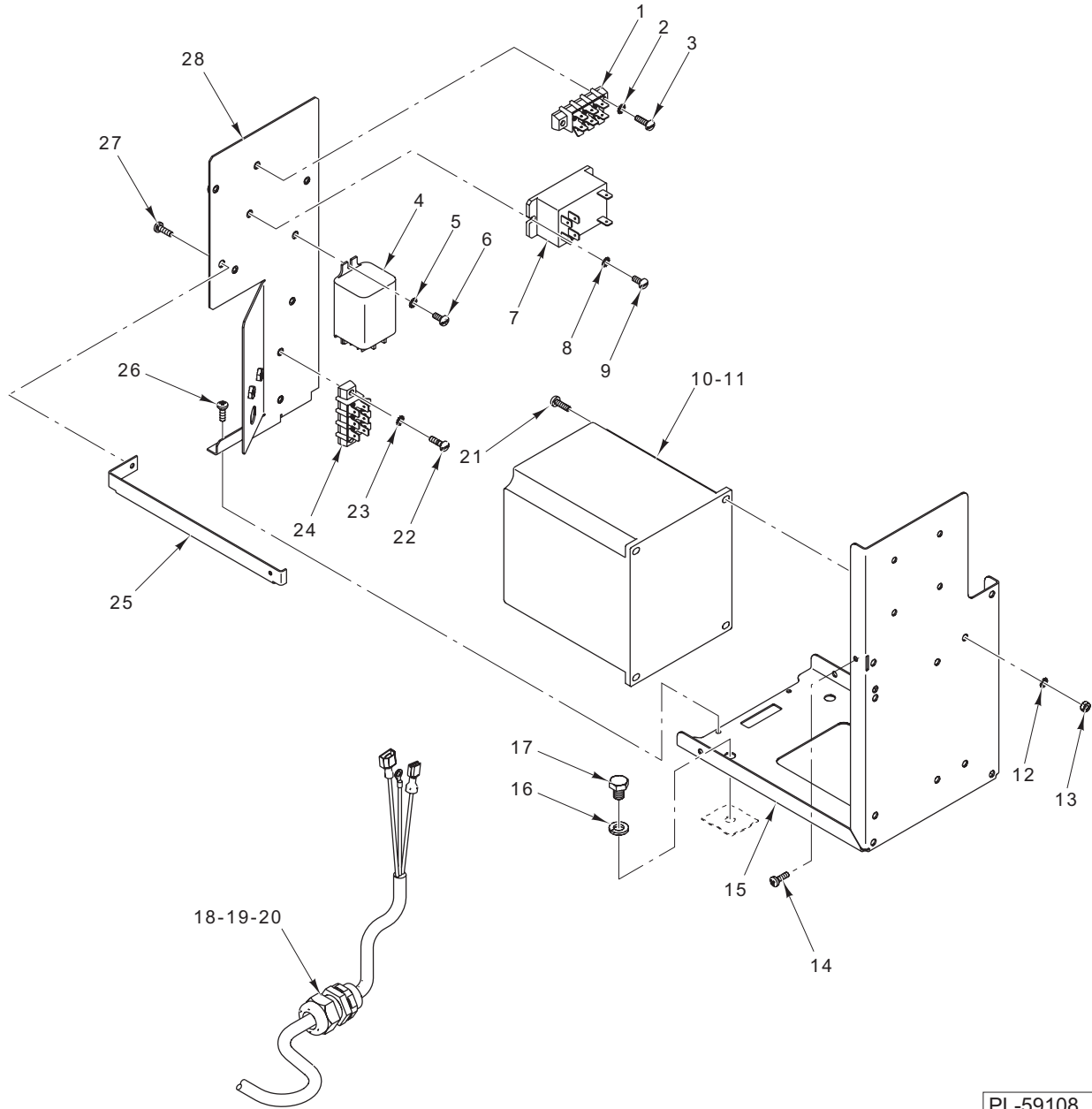
5	CONTROL PANEL
7	ELECTRICAL COMPONENTS (ML-134473 & ML-134474)
9	ELECTRICAL COMPONENTS (ML-134453 & ML-134475)
11	ATTACHMENT HUB
13	BASE AND PEDESTAL
15	BOWL SUPPORT
17	TRANSMISSION CASE AND MOTOR
19	TRANSMISSION
21	BOWL GUARD AND HEIGHT SENSOR
23	AGITATORS AND ACCESSORIES
24	WIRING HARNESS



CONTROL PANEL

CONTROL PANEL

ILLUS.	PART NO.	NAME OF PART	AMT.
PL-59107			
1	00-917354	PCB Assy – Speed Select	1
2	00-916988-00006	Timer – Assy. (180-250 V., 60 Hz.)	1
3	00-916938	Spacer – Timer	1
4	NS-009-12	Nut 8-32 Hex (ML-134453 & ML-134475)	1
5	WL-007-06	Lockwasher (ML-134453 & ML-134475)	1
6	00-917445	Panel – Operator (CE) (With Clinch Stud) (ML-134453 & ML-134475).....	1
7	00-917444	Panel – Operator (Black) (ML-134473 & ML-134474)	1
8	SC-022-72	Mach. Screw 5-40 x ⁷ / ₁₆ Slotted Flat Hd. (SST)	2
9	00-917141	Knob – Control.....	2
10	00-917447	Switch – Start.....	1
11	00-917446	Guard – Switch	1
12	00-917448	Switch – Stop.....	1
13	SC-120-61	Mach. Screw M4 x 0.7 x 10mm Slotted Cheese Hd.	6

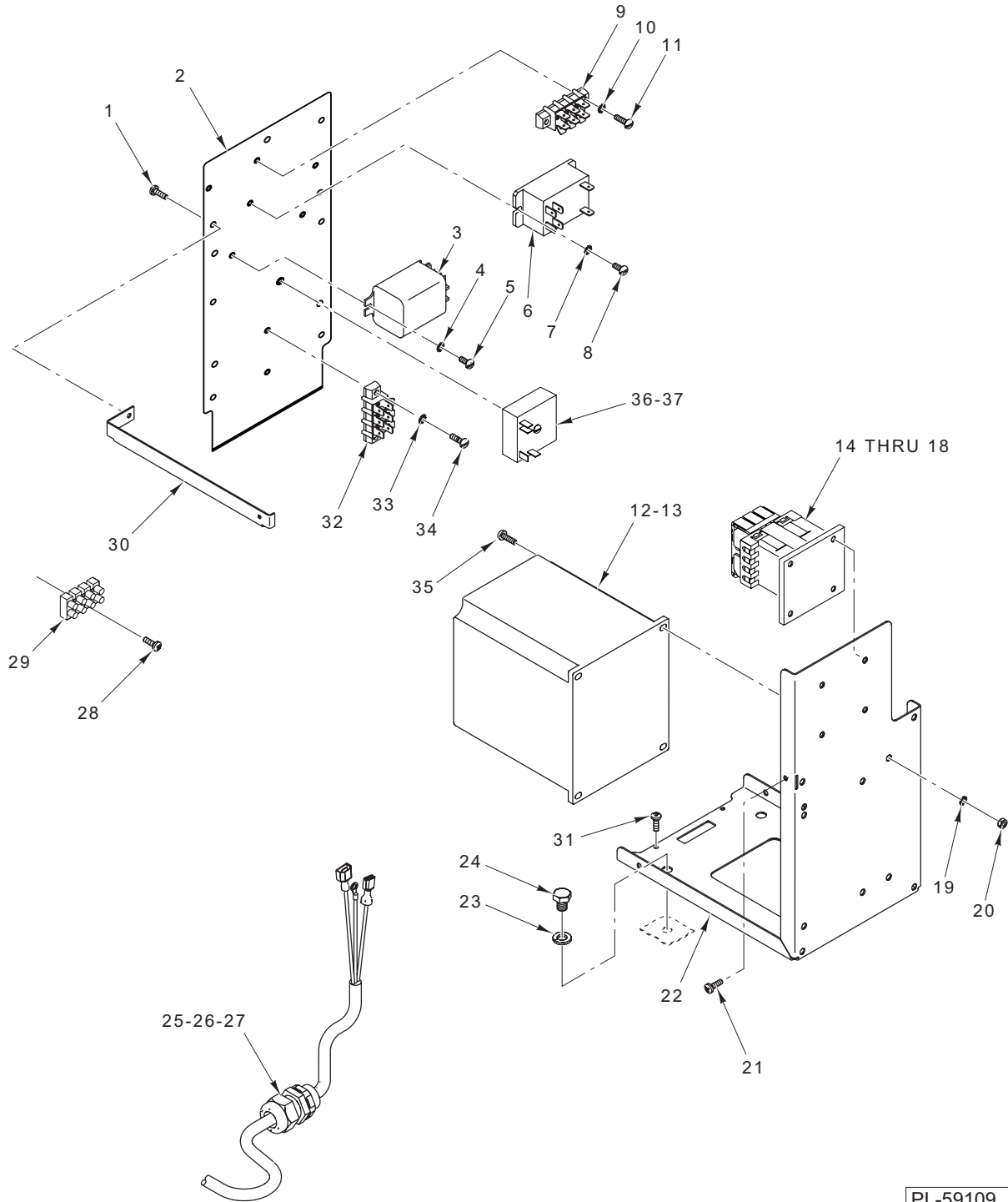


PL-59108

ELECTRICAL COMPONENTS (ML-134473 & ML-134474)

ELECTRICAL COMPONENTS (ML-134473 & ML-134474)

ILLUS. PL-59108	PART NO.	NAME OF PART	AMT.
1	00-916269	Block – Terminal 1/4 QC.....	1
2	WL-019-81	Lockwasher M4 (SST).....	2
3	SC-118-29	Mach. Screw M4 x 0.7 x 15mm Slotted Pan Hd. (SST).....	2
4	00-087714-020-3	Relay (3PDT) (240 V.).....	1
5	WL-019-81	Lockwasher M4 (SST).....	2
6	SC-200-02	Mach. Screw M4 x 0.7 x 10mm Slotted Pan Hd. (SST).....	2
7	00-087714-042-3	Relay (2-Pole) (240 VAC Coil).....	1
8	WL-019-81	Lockwasher M4 (SST).....	2
9	SC-200-02	Mach. Screw M4 x 0.7 x 10mm Slotted Pan Hd. (SST).....	2
10	00-917540-00001	Controller (200-240 V., 50-60 Hz., 1 Ph.) (ML-134473).....	1
11	00-917541-00001	Controller (200-240 V., 50-60 Hz., 3 Ph.) (ML-134474).....	1
12	WL-019-81	Lockwasher M4 (SST).....	4
13	NS-047-24	Nut M4 x 0.7 Hex (Brass).....	4
14	SD-039-50	Self-Tapping Screw M3.9 x 13 x 13mm Phil. Pan Hd. (SST).....	1
15	00-917472	Plate – Controller Mounting.....	1
16	WL-019-74	Lockwasher M8 Spring (SST).....	1
17	SC-121-57	Cap Screw M8 x 1.25 x 10mm Hex Socket Hd. (SST).....	1
18	FE-024-88	Lock Nut 1/2 Elect.	1
19	FE-022-84	Relief – Electrical Strain.....	1
20	00-916909-00015	Cord – Plug Assy. (250 V.).....	1
21	SC-128-14	Mach. Screw M4 x 0.7 x 14mm Phil. Pan Hd.	4
22	SC-118-29	Mach. Screw M4 x 0.7 x 15mm Slotted Pan Hd. (SST).....	2
23	WL-019-81	Lockwasher M4 (SST).....	2
24	00-916269	Block – Terminal 1/4 QC.....	1
25	00-917830	Brace – Controller Plate.....	1
26	SD-039-50	Self-Tapping Screw M3.9 x 13 x 13mm Phil. Pan Hd. (SST).....	1
27	SD-039-50	Self-Tapping Screw M3.9 x 13 x 13mm Phil. Pan Hd. (SST).....	1
28	00-917764	Plate – Controller Mounting.....	1

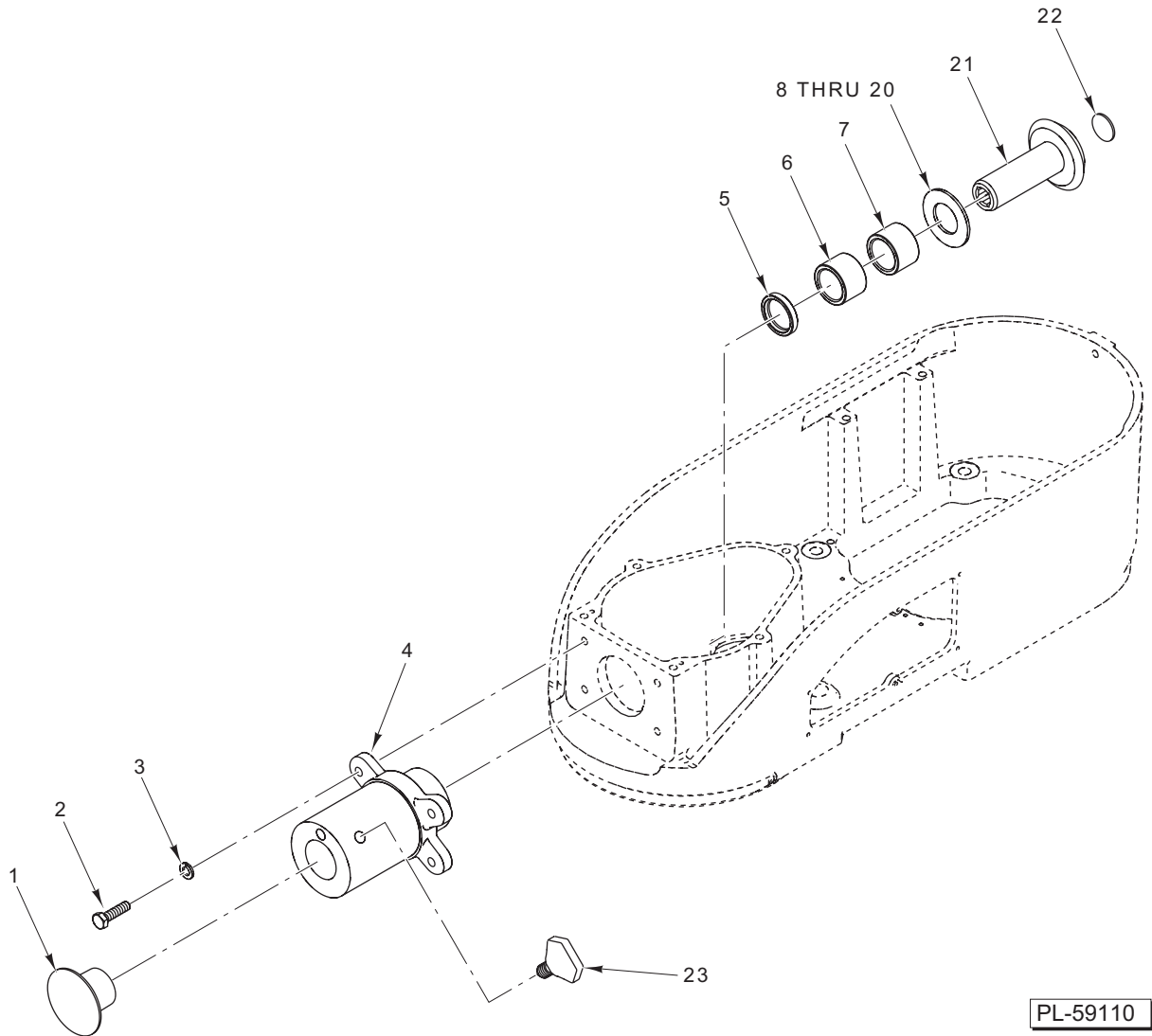


PL-59109

ELECTRICAL COMPONENTS (ML-134453 & ML-134475)

ELECTRICAL COMPONENTS (ML-134453 & ML-134475)

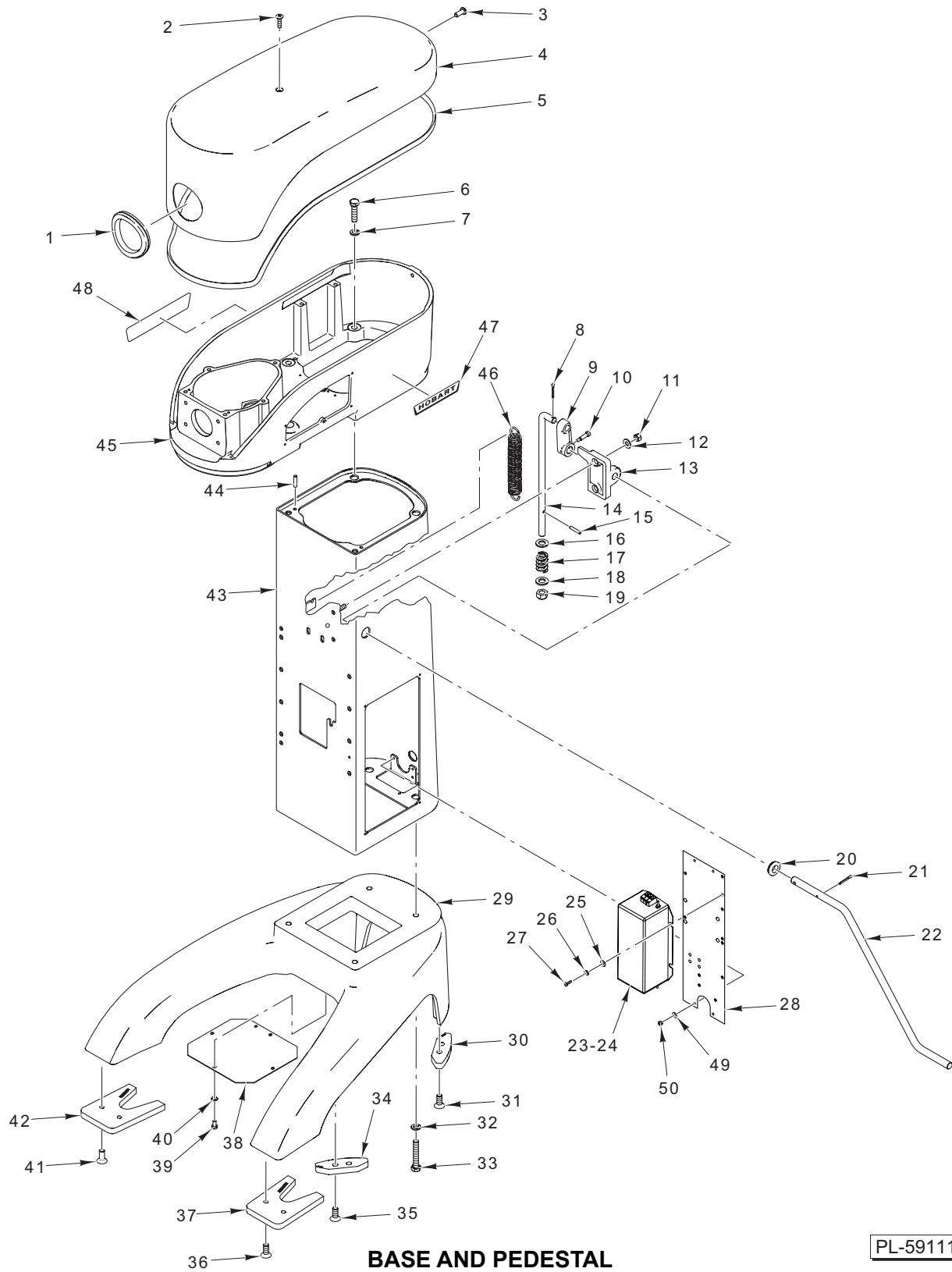
ILLUS.	PART NO.	NAME OF PART	AMT.
	PL-59109		
1	SD-039-50	Self-Tapping Screw M3.9 x 13 x 13mm Phil. Pan Hd. (SST).....	1
2	00-917574	Plate – Controller Mounting	1
3	00-087714-020-3	Relay (3PDT) (240 V.).....	1
4	WL-019-81	Lockwasher M4 (SST)	2
5	SC-200-02	Mach. Screw M4 x 0.7 x 10mm Slotted Pan Hd. (SST).....	2
6	00-087714-042-3	Relay (2-Pole) (240 VAC Coil)	1
7	WL-019-81	Lockwasher M4 (SST)	2
8	SC-200-02	Mach. Screw M4 x 0.7 x 10mm Slotted Pan Hd. (SST).....	2
9	00-916269	Block – Terminal 1/4 QC.....	1
10	WL-019-81	Lockwasher M4 (SST)	2
11	SC-118-29	Mach. Screw M4 x 0.7 x 15mm Slotted Pan Hd. (SST).....	2
12	00-917542-00001	Controller (400-460 V., 50-60 Hz., 3 Ph.) (ML-134475).....	1
13	00-917540-00001	Controller (200-240 V., 50-60 Hz., 1Ph.) (ML-134453).....	1
14	00-478217	Puller – Fuse (ML-134475).....	3
15	00-294500-032-1	Transformer (50 VA) ML-134475).....	1
16	00-477566	Cover – Transformer Type C (IEC) (ML-134475).....	2
17	FE-025-20	Fuse (600 V., 2 Amp.) (ML-134475).....	2
18	FE-025-58	Fuse (600 V., 3 Amp.) (ML-134475).....	1
19	WL-019-81	Lockwasher M4 (SST)	4
20	NS-047-24	Nut M4 x 0.7 Hex (Brass)	4
21	SD-039-50	Self-Tapping Screw M3.9 x 13 x 13mm Phil. Pan Hd. (SST).....	1
22	00-917472	Plate – Controller Mounting	1
23	WL-019-74	Lockwasher M8 Spring (SST).....	1
24	SC-121-57	Cap Screw M8 x 1.25 x 10mm Hex Socket Hd. (SST)	1
25	FE-024-88	Lock Nut 1/2 Elect.	1
26	FE-022-84	Relief – Electrical Strain.....	1
27	00-916909-00013	Cord – Plug Assy. (CE)	1
28	SD-039-49	Self-Tapping Screw M4 x 0.7 x 20mm Phil. Pan Hd., Type TT (ML-134475).....	2
29	00-477562-00002	Block – Terminal (ML-134475).....	1
30	00-917830	Brace – Controller Plate.....	1
31	SD-039-50	Self-Tapping Screw M3.9 x 13 x 13mm Phil. Pan Hd. (SST).....	1
32	00-916269	Block – Terminal 1/4 QC.....	1
33	WL-019-81	Lockwasher M4 (SST)	2
34	SC-118-29	Mach. Screw M4 x 0.7 x 15mm Slotted Pan Hd. (SST).....	2
35	SC-128-14	Mach. Screw M4 x 0.7 x 14mm Phil. Pan Hd.	4
36	00-917701	Timer – Delay Relay	1
37	SC-117-66	Mach. Screw M4 x 0.7 x 25mm Slotted Pan Hd.	1



ATTACHMENT HUB

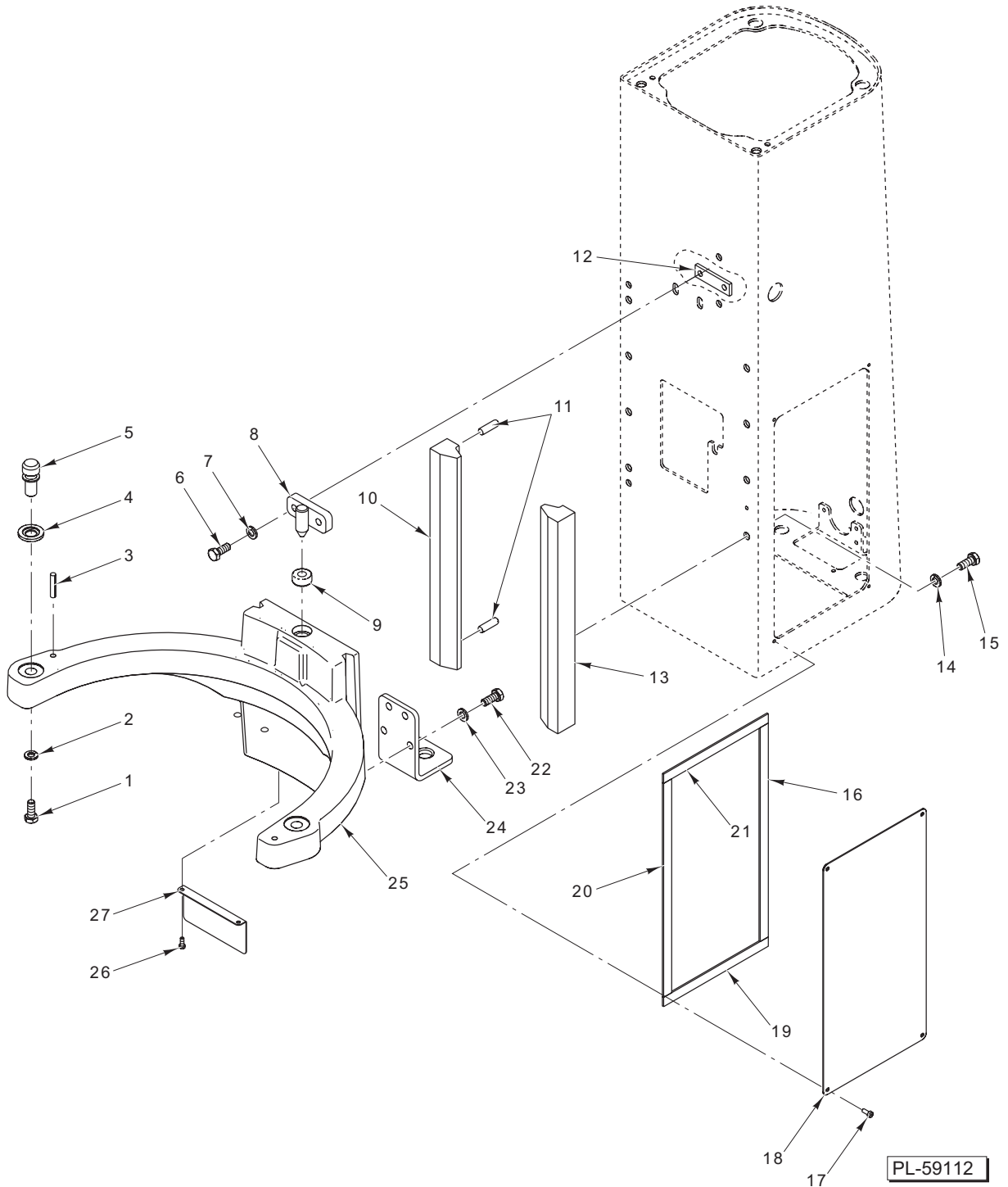
ATTACHMENT HUB

ILLUS. PL-59110	PART NO.	NAME OF PART	AMT.
1	00-917322	Plug – Attachment (Black)	1
2	SC-130-77	Cap Screw M8 x 1.25 x 30mm Hex Hd.....	4
3	WL-019-74	Lockwasher M8 Spring (SST).....	4
4	00-917430	Hub – Attachment	1
5	00-917435	Seal – Attachment Hub	1
6	BN-002-04	Bearing – Needle 1 ¹ / ₈	1
7	BN-002-04	Bearing – Needle 1 ¹ / ₈	1
8	00-070045-00001	Washer – Thrust (0.125).....	AR
9	00-070045-00002	Washer – Thrust (0.119)	AR
10	00-070045-00003	Washer – Thrust (0.121).....	AR
11	00-070045-00004	Washer – Thrust (0.123).....	AR
12	00-070045-00005	Washer – Thrust (0.127).....	AR
13	00-070045-00006	Washer – Thrust (0.129).....	AR
14	00-070045-00007	Washer – Thrust (0.100).....	AR
15	00-070045-00008	Washer – Thrust (0.090).....	AR
16	00-070045-00009	Washer – Thrust (0.131).....	AR
17	00-070045-00010	Washer – Thrust (0.133).....	AR
18	00-070045-00011	Washer – Thrust (0.136).....	AR
19	00-070045-00012	Washer – Thrust (0.139).....	AR
20	00-070045-00013	Washer – Thrust (0.116).....	AR
21	00-070025	Gear – Attachment Drive	1
22	PL-003-17	Plug – Expansion.....	1
23	00-108197-00001	Screw – Thumb 1 ¹ / ₈	1



BASE AND PEDESTAL

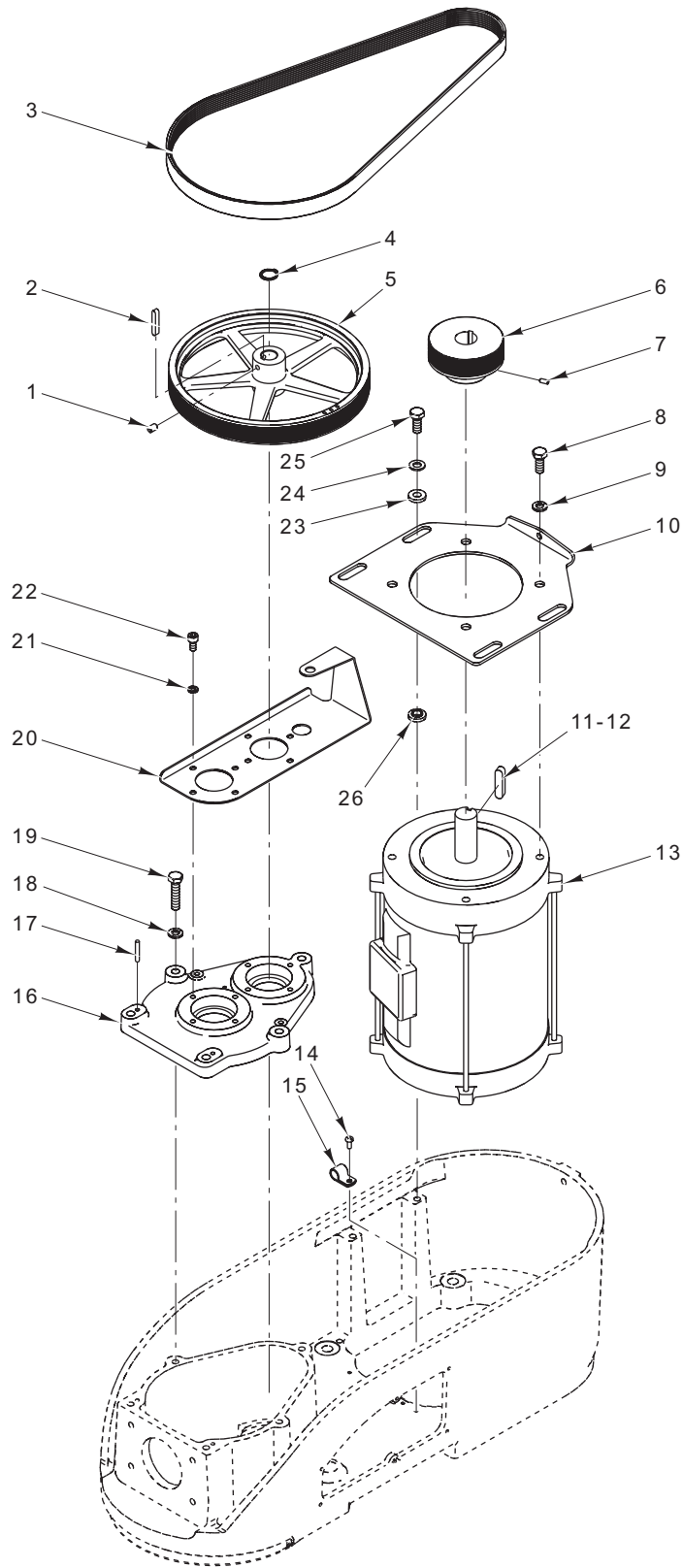
ILLUS.	PART NO.	NAME OF PART	AMT.
PL-59111			
1	00-917128	Grommet – Attachment Hub	1
2	SC-120-29	Mach. Screw 1/4-20 x 1 Phil Oval Hd.....	1
3	SC-130-88	Mach. Screw M8 x 1.25 x 20mm Phil. Button Hd. (SST).....	1
4	00-917118	Cover – Top (With Hub)	1
5	00-874925-00007	Seal – Neopreme.....	1
6	SC-124-61	Cap Screw M10 x 1.50 x 40mm Hex Hd.....	4
7	WL-019-89	Lockwasher M10 Spring (SST).....	4
8	PC-003-36	Pin – Cotter 3/32	1
9	00-917375	Arm – Bowl Lift.....	1
10	SC-086-01	Shoulder Screw 10-24 x 3/4 Hex Socket Hd.	1
11	NS-013-14	Nut 5/16-18 Hex	2
12	WS-017-16	Washer.....	2
13	00-917612	Bearing – Bowl Lift.....	1
14	00-917373	Rod – Bowl Lift	1
15	RP-006-48	Pin – Roll (5mm).....	1
16	WS-031-67	Washer.....	1
17	00-070104	Spring – Bowl Lift.....	1
18	WS-031-67	Washer.....	1
19	NS-049-24	Lock Nut M12 x 1.75 Hex	1
20	00-916876	Grommet.....	1
21	PC-003-36	Pin – Cotter 3/32	1
22	00-917376	Handle – Bowl Lift.....	1
23	00-917183	Filter – Power Line (ML-134475)	1
24	00-917695	Filter – Power Line (ML-134453)	1
25	WS-031-59	Washer (ML-134475).....	4
26	WL-020-01	Lockwasher M4 Helical.....	4
27	SC-200-02	Mach. Screw M4 x 0.7 x 10mm Slotted Pan Hd. (SST).....	4
28	00-917575	Plate – Mounting	1
29	00-917290	Base.....	1
30	00-917166	Pad – Back	1
31	SC-130-86	Mach. Screw M10 x 1.5 x 25mm Hex Flat Hd.	2
32	WL-019-89	Lockwasher M10 Spring (SST).....	4
33	SC-127-78	Cap Screw M10 x 1.5 x 60mm Hex Hd.....	4
34	00-917166	Pad – Back	1
35	SC-130-86	Mach. Screw M10 x 1.5 x 25mm Hex Flat Hd.	2
36	SC-130-86	Mach. Screw M10 x 1.5 x 25mm Hex Flat Hd.	2
37	00-917391	Pad – Front (Right)	1
38	00-917691	Plate – Bottom Cover.....	1
39	SC-118-58	Cap Screw M6 x 1.0 x 12mm Hex Hd.....	4
40	WL-019-48	Lockwasher M6 Spring (SST).....	4
41	SC-130-86	Mach. Screw M10 x 1.5 x 25mm Hex Flat Hd.	2
42	00-917390	Pad – Front (Left).....	1
43	00-917288	Pedestal	1
44	00-917595-00002	Dowel.....	2
45	00-917292	Transmission – Mach.....	1
46	00-916463	Spring – Bowl Lift.....	1
47	00-118363	Logo – Hobart (Small).....	1
48	00-118364	Logo – Hobart (Large)	1
49	WL-020-01	Lockwasher M4 Helical.....	2
50	NS-047-24	Nut M4 x 0.7 Hex (Brass)	2



BOWL SUPPORT

BOWL SUPPORT

ILLUS.	PART NO.	NAME OF PART	AMT.
PL-59112			
1	SC-120-59	Cap Screw M8 x 1.25 x 20mm Hex Hd.....	2
2	WL-019-74	Lockwasher M8 Spring (SST).....	2
3	PG-011-44	Pin – Grooved (6mm)	2
4	00-917180	Bushing – Bowl Support	2
5	00-917388	Pin – Bowl Mounting	2
6	SC-120-59	Cap Screw M8 x 1.25 x 20mm Hex Hd.....	2
7	WL-019-74	Lockwasher M8 Spring (SST).....	2
8	00-917660	Pin – Weldment Latch.....	1
9	00-917652	Rest – Bowl.....	1
10	00-917299	Slideway – Bowl Lift.....	1
11	00-917595-00004	Dowel.....	2
12	00-917654	Retainer	1
13	00-917299	Slideway – Bowl Lift.....	1
14	WL-019-74	Lockwasher M8 Spring (SST).....	8
15	SC-120-59	Cap Screw M8 x 1.25 x 20mm Hex Hd.....	8
16	00-917986-00001	Seal – Side Cover	1
17	SC-120-61	Mach. Screw M4 x 0.7 x 10mm Slotted Cheese Hd.	4
18	00-917309	Cover	1
19	00-917986-00002	Seal – Side Cover	1
20	00-917986-00001	Seal – Side Cover	1
21	00-917986-00002	Seal – Side Cover	1
22	SC-120-59	Cap Screw M8 x 1.25 x 20mm Hex Hd.....	4
23	WL-019-74	Lockwasher M8 Spring (SST).....	4
24	00-917416	Bracket – Lift-Bowl Support	1
25	00-917285	Support – Bowl Mach.....	1
26	SC-120-61	Mach. Screw M4 x 0.7 x 10mm Slotted Cheese Hd.	2
27	00-917673	Cover	1
	00-917808	Seal – Side Cover (ML-134453)	1

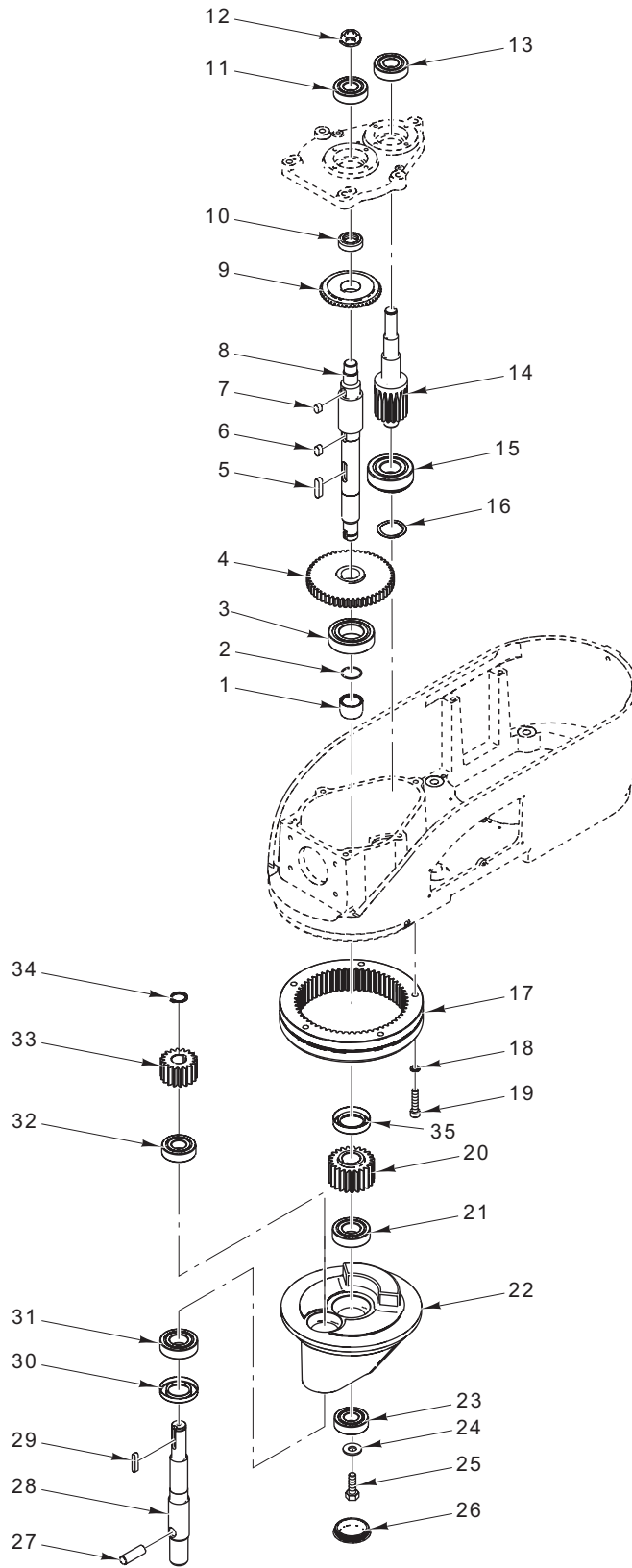


PL-59113

TRANSMISSION CASE AND MOTOR

TRANSMISSION CASE AND MOTOR

ILLUS.	PART NO.	NAME OF PART	AMT.
PL-59113			
1	SC-047-12	Set Screw 1/4-20 x 3/8 Hex Hdls. Cup Pt.	2
2	00-917496-00001	Key – Metric.....	1
3	00-917364	Belt – V Ribbed.....	1
4	RR-012-14	Ring – Retaining.....	1
5	00-917370	Pulley – Driven.....	1
6	00-917369	Pulley – Driver.....	1
7	SC-127-76	Set Screw M4 x 0.7 x 10mm Hex Hdls. Cone Pt.	1
8	SC-120-59	Cap Screw M8 x 1.25 x 20mm Hex Hd.....	4
9	WL-019-74	Lockwasher M8 Spring (SST).....	4
10	00-917366	Bracket – Motor Mounting.....	1
11	00-917496-00002	Key – Metric (ML-134453 & ML-134475).....	1
12	00-012430-00066	Key (ML-134473 & ML-134474).....	1
13	00-917680-00001	Motor (2.5 Hp., 200-400 V., 3 Ph.).....	1
14	SC-200-02	Mach. Screw M4 x 0.7 x 10mm Slotted Pan Hd. (SST).....	1
15	00-078752-00009	Clamp – Cable.....	1
16	00-917360	Cover – Transmission Top.....	1
17	00-917595-00005	Dowel.....	2
18	WL-019-74	Lockwasher M8 Spring (SST).....	5
19	SC-130-78	Cap Screw M8 x 1.25 x 35mm Hex Socket Hd.....	5
20	00-917624	Retainer – Top Bearing.....	1
21	WL-020-12	Lockwasher M6 Spring.....	8
22	SC-117-25	Cap Screw M6 x 1.0 x 12mm Hex Socket Hd.....	8
23	00-917410	Isolator.....	4
24	WS-030-44	Washer (SST).....	4
25	SC-120-59	Cap Screw M8 x 1.25 x 20mm Hex Hd.....	4
26	00-917410	Isolator.....	4

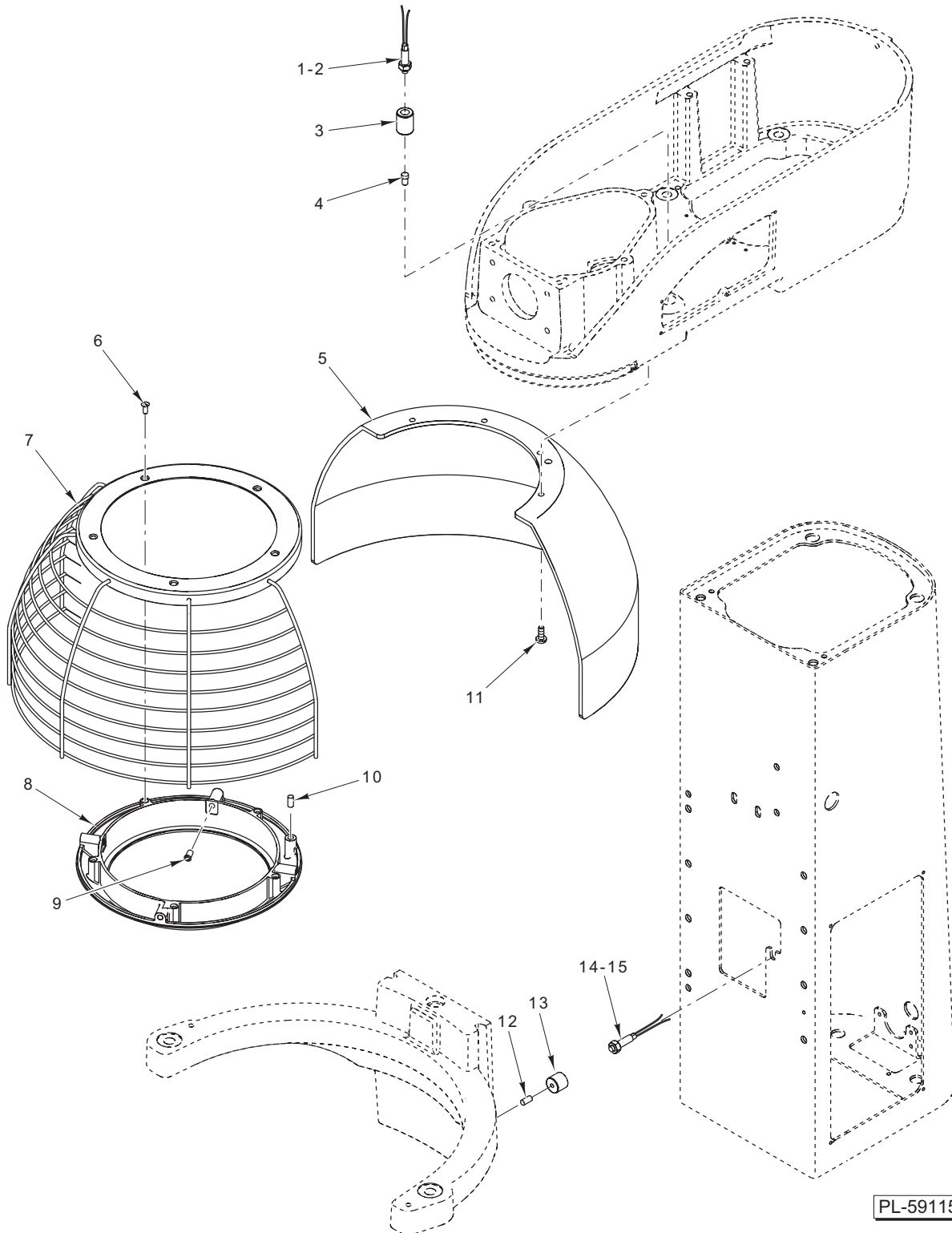


TRANSMISSION

PL-59114

TRANSMISSION

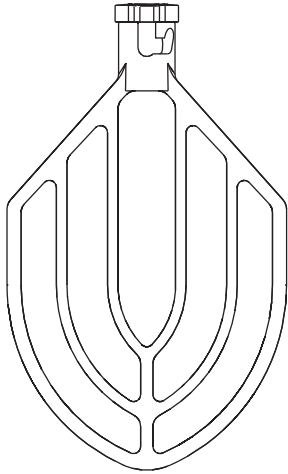
ILLUS.	PART NO.	NAME OF PART	AMT.
PL-59114			
1	00-916663	Spacer – Planetary-Lower	1
2	00-067500-00068	O-Ring	1
3	BB-015-08	Bearing – Ball	1
4	00-917498	Gear – Helical	1
5	00-917496-00006	Key – Metric	1
6	00-917496-00005	Key – Metric	1
7	00-917496-00003	Key – Metric	1
8	00-917356	Shaft – Sun	1
9	00-070020-00002	Gear – Bevel	1
10	00-917368	Spacer – Planetary-Upper	1
11	BB-005-34	Bearing – Ball	1
12	NS-032-32	Lock Nut ³ / ₄ -16 (LH)	1
13	BB-020-06	Bearing – Ball	1
14	00-917361	Shaft – Worm Gear	1
15	BB-020-06	Bearing – Ball	1
16	SL-005-04	Spring – Loading	1
17	00-917405	Gear – Internal	1
18	WL-020-13	Lockwasher M8 Spring	5
19	SC-117-19	Cap Screw M8 x 1.25 x 30mm Hex Socket Hd	5
20	00-477413	Gear – Sun	1
21	BB-007-52	Bearing – Ball	1
22	00-477407-00002	Planetary	1
23	BB-005-46	Bearing – Ball	1
24	WS-030-04	Washer	1
25	SC-118-58	Cap Screw M6 x 1.0 x 12mm Hex Hd	1
26	00-917690	Plug – Planetary	1
27	00-070019	Pin – Agitator	1
28	00-477441	Shaft – Agitator (Incls. Item 27)	1
29	00-917496-00004	Key – Metric	1
30	00-110335	Seal – Agitator Shaft	1
31	BB-007-52	Bearing – Ball	1
32	BB-005-46	Bearing – Ball	1
33	00-477412	Gear – Planetary Beater	1
34	RR-012-06	Ring – Retaining	1
35	00-110334	Seal – Planetary	1



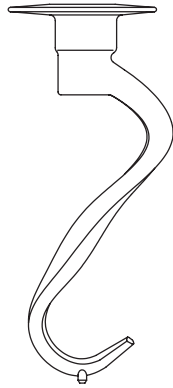
BOWL GUARD AND HEIGHT SENSOR

BOWL GUARD AND HEIGHT SENSOR

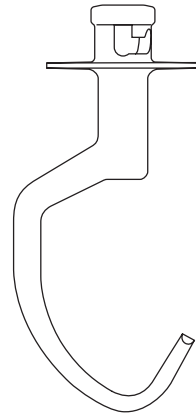
ILLUS.	PART NO.	NAME OF PART	AMT.
PL-59115			
1	00-916902-00003	Switch – Reed.....	1
2	00-916902-00004	Switch – Reed Fused Assy. (ML-134453 & ML-134475).....	1
3	00-917184	Holder – Reed Switch.....	1
4	00-917449	Pin – Magnet Bridge.....	1
5	00-917297	Guard – Rear Splash.....	1
6	SC-117-77	Mach. Screw M5 x 0.8 x 12mm Slotted Flat Hd. (SST).....	5
7	00-917338	Cage Assy. (Incls. Items 5, 7, 8, & 9).....	1
8	00-917372	Ring – Drip.....	1
9	00-917056	Plunger – Ball.....	4
10	00-917185	Magnet.....	1
11	SC-130-49	Mach. Screw M6 x 1.0 x 16mm Slotted Pan Hd. (SST).....	4
12	00-917185	Magnet.....	1
13	00-917186	Holder – Magnet.....	1
14	00-916902-00003	Switch – Reed.....	1
15	00-916902-00004	Switch – Reed Fused Assy. (ML-134453 & ML-134475).....	1



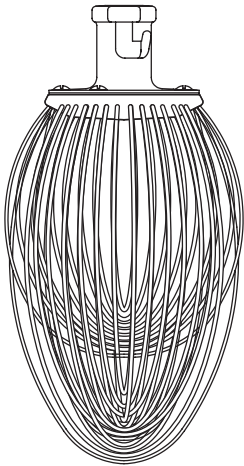
1-2



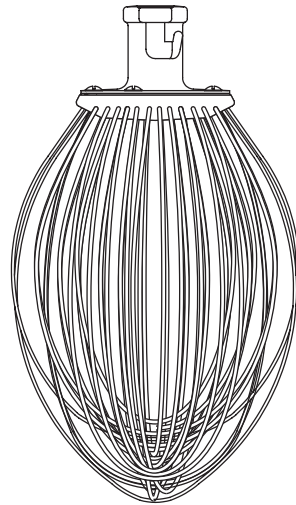
3



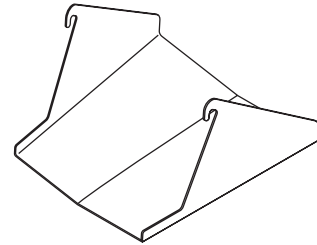
4



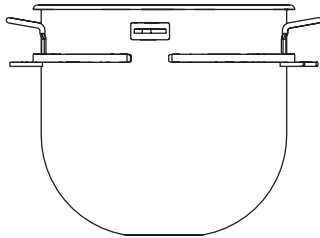
5



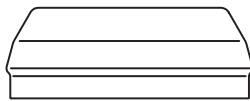
6



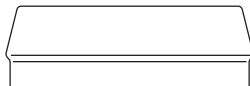
7



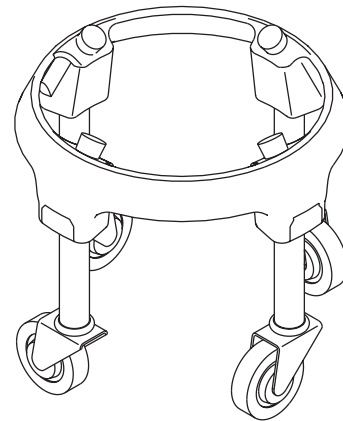
8-9



10



11



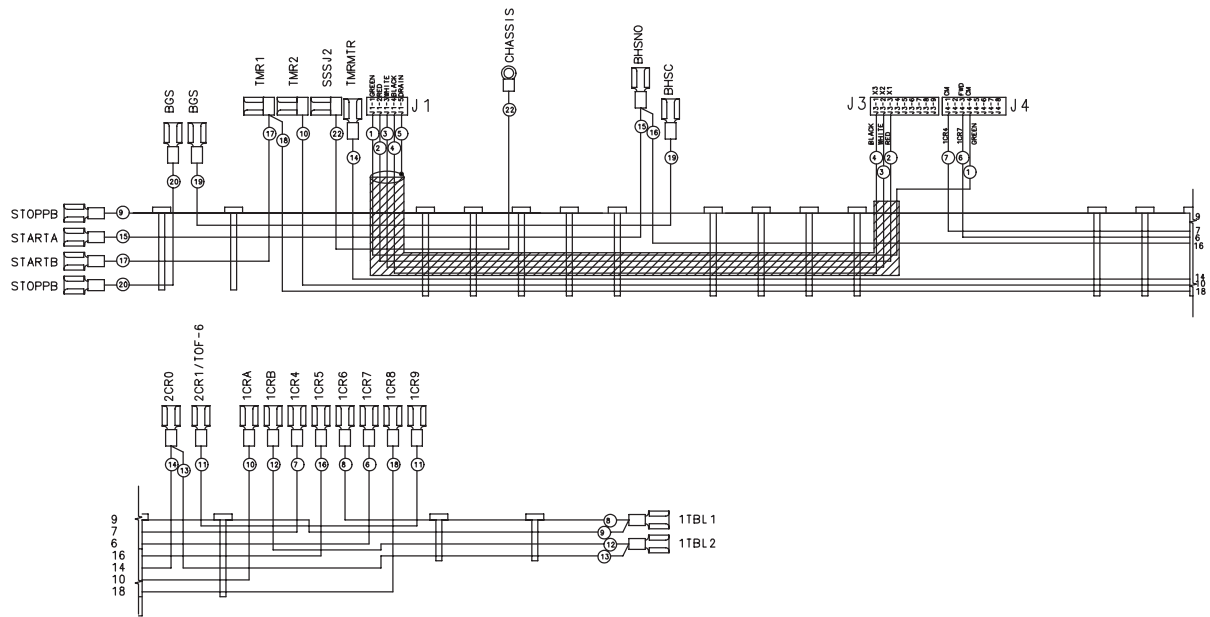
12

PL-59116

AGITATORS AND ACCESSORIES

AGITATORS AND ACCESSORIES

ILLUS.	PART NO.	NAME OF PART	AMT.
	PL-59116		
1	00-917964	"B" Beater (30 Qt.) (Packaged).....	1
2	00-917970	"B" Beater (20 Qt.) (Packaged).....	1
3	00-917966	Dough Hook (30 Qt.) (Packaged).....	1
4	00-917972	Dough Arm (20 Qt.) (Packaged).....	1
5	00-917971	Wire Whip (Packaged) (20 Qt.).....	1
6	00-917965	Wire Whip (Packaged) (30 Qt.).....	1
7	00-917967	Ingredient Chute (Packaged) (30 Qt.).....	1
8	00-917969	Bowl Assy (Packaged) (20 Qt.).....	1
9	00-917963	Bowl Assy. (30 Qt.) (SST).....	1
10	00-917760	Splash Cover (Packaged) (20 Qt.).....	1
11	00-917968	Splash Cover (Packaged) (30 Qt.).....	1
12	00-916883	Dolly – Bowl (30 Qt.) (Packaged).....	1



00-917594 Harness - Main

PL-59117

WIRING HARNESS