



CATALOG OF REPLACEMENT PARTS

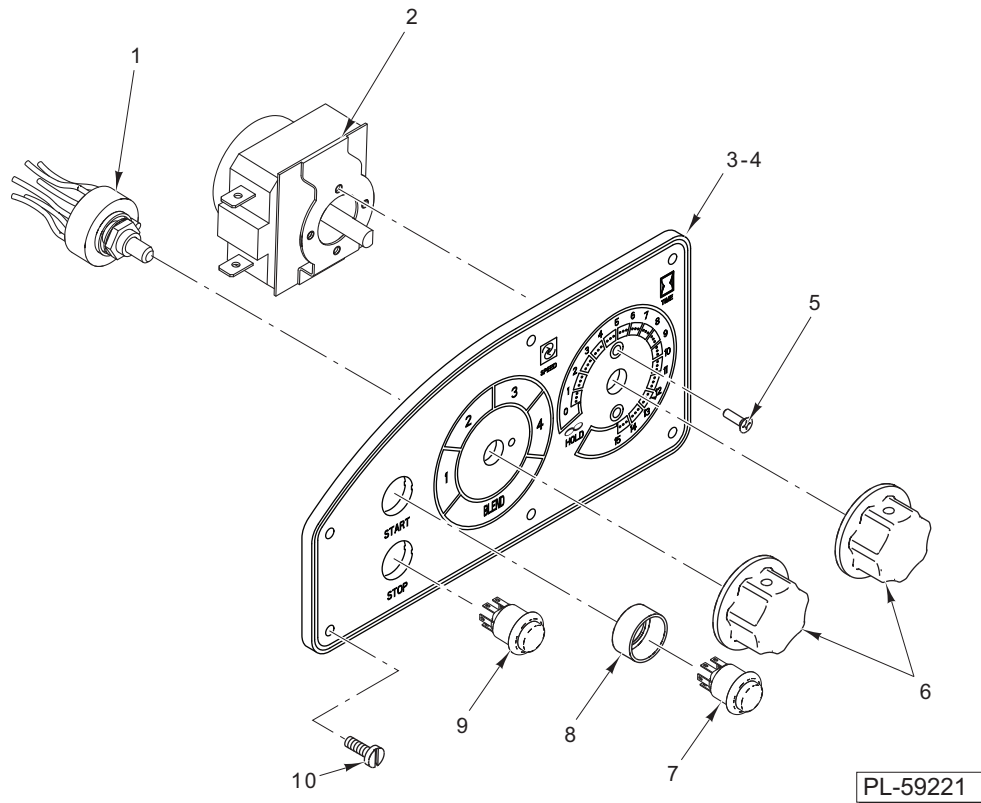


HS20 MIXER

ML-141013
ML-141015

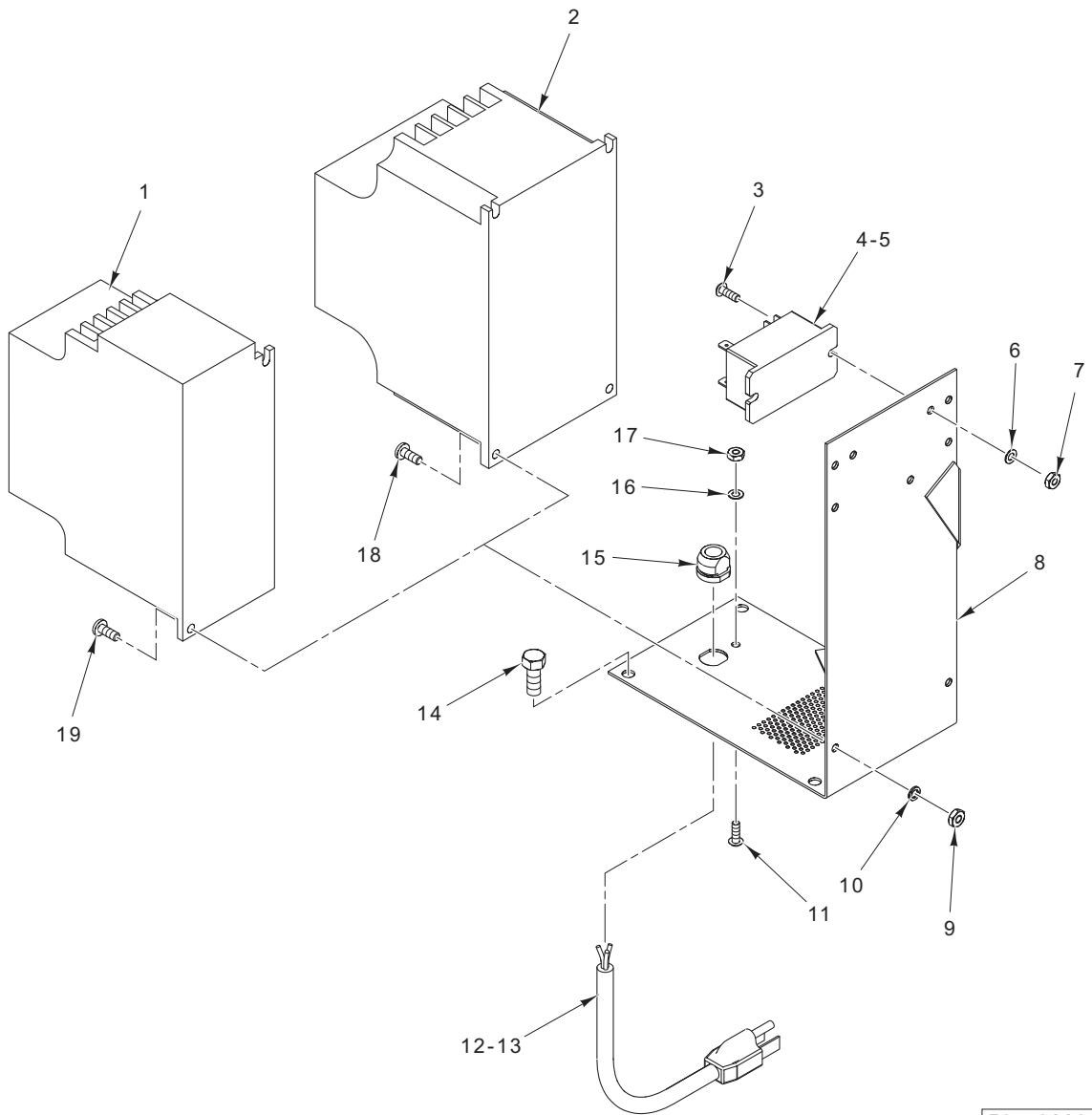
Table of Contents

3	CONTROL PANEL
5	ELECTRICAL COMPONENTS
7	ATTACHMENT HUB
9	BASE AND PEDESTAL
11	BOWL SUPPORT
13	TRANSMISSION CASE AND MOTOR
15	TRANSMISSION
17	BOWL GUARD
19	AGITATORS AND ACCESSORIES
20	WIRING HARNESSSES



CONTROL PANEL

ILLUS.	PART NO.	NAME OF PART	AMT.
PL-59221			
1	00-937137	Switch – Speed Select.....	1
2	00-916988-00007	Timer Assy.	1
3	00-937131	Plate – Operator Panel	1
4	00-937152	Overlay	1
5	SC-128-18	Mach. Screw M3 x 0.5 x 6mm Phil. Flat Hd.....	2
6	00-917141	Knob – Control.....	2
7	00-917447	Switch – Start.....	1
8	00-917446	Guard – Switch	1
9	00-917448	Switch Assy. – Stop.....	1
10	SC-019-34	Mach. Screw 8-32 x 1/2 Slotted Bndg. Hd.....	6

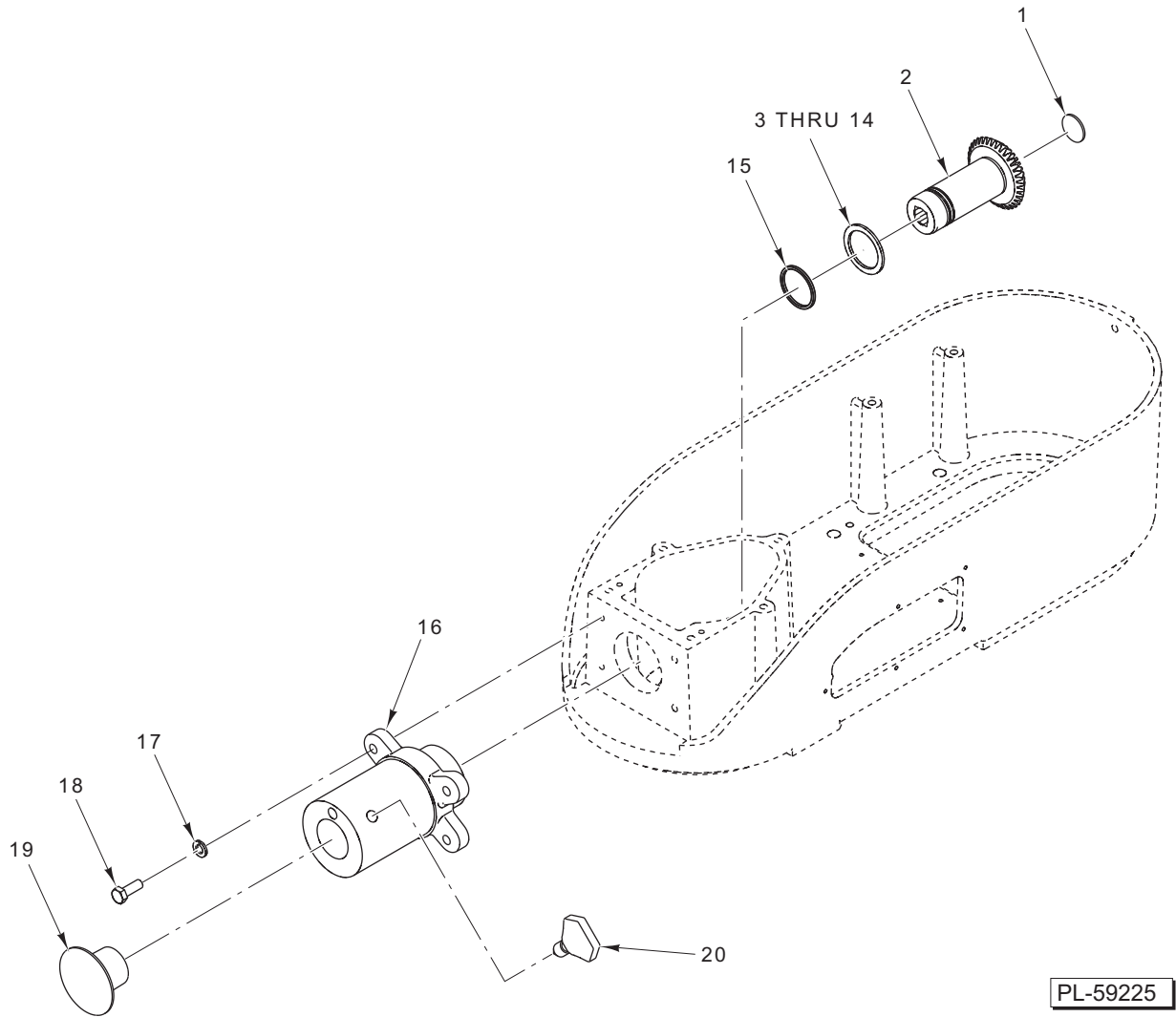


PL-59223

ELECTRICAL COMPONENTS

ELECTRICAL COMPONENTS

ILLUS.	PART NO.	NAME OF PART	AMT.
PL-59223			
1	00-937124-00002	Controller (Delta) (240 V.) (ML-141015)	1
2	00-937124-00001	Controller (Delta) (115 V.) (ML-141013).....	1
3	SC-021-15	Mach. Screw 8-32 x 1/2 Slotted Rd. Hd. (SST).....	2
4	00-087714-042-1	Relay (2-Pole) (120 VAC) (ML-141013).....	1
5	00-087714-042-3	Relay (2-Pole) (240 VAC) (ML-141015).....	1
6	WL-013-08	Lockwasher #8 Internal.....	2
7	NS-009-12	Nut 8-32 Hex.....	2
8	00-937151	Plate & Brace – Controller	1
9	NS-009-22	Nut 10-24 Hex.....	4
10	WL-003-20	Lockwasher #10 Helical.....	4
11	SC-021-15	Mach. Screw 8-32 x 1/2 Slotted Rd. Hd. (SST).....	1
12	00-916909-00019	Cord & Plug Strain Relief (120 V.) (Incls. Item 15) (ML-141013).....	1
13	00-916909-00020	Cord & Plug Strain Relief (240 V.) (Incls. Item 15) (ML-141015).....	1
14	SC-036-14	Cap Screw 1/4-20 x 1/2 Hex Hd.....	3
15	FE-017-41	Relief – Strain (Electrical)	1
16	WL-013-08	Lockwasher #8 Internal.....	1
17	NS-009-12	Nut 8-32 Hex.....	1
18	SC-018-22	Mach. Screw 10-24 x 1/2 Phil Pan Hd.....	4
19	SC-018-22	Mach. Screw 10-24 x 1/2 Phil Pan Hd.....	4
	00-916972-002-6	Tubing – Convuluted Slit.....	1

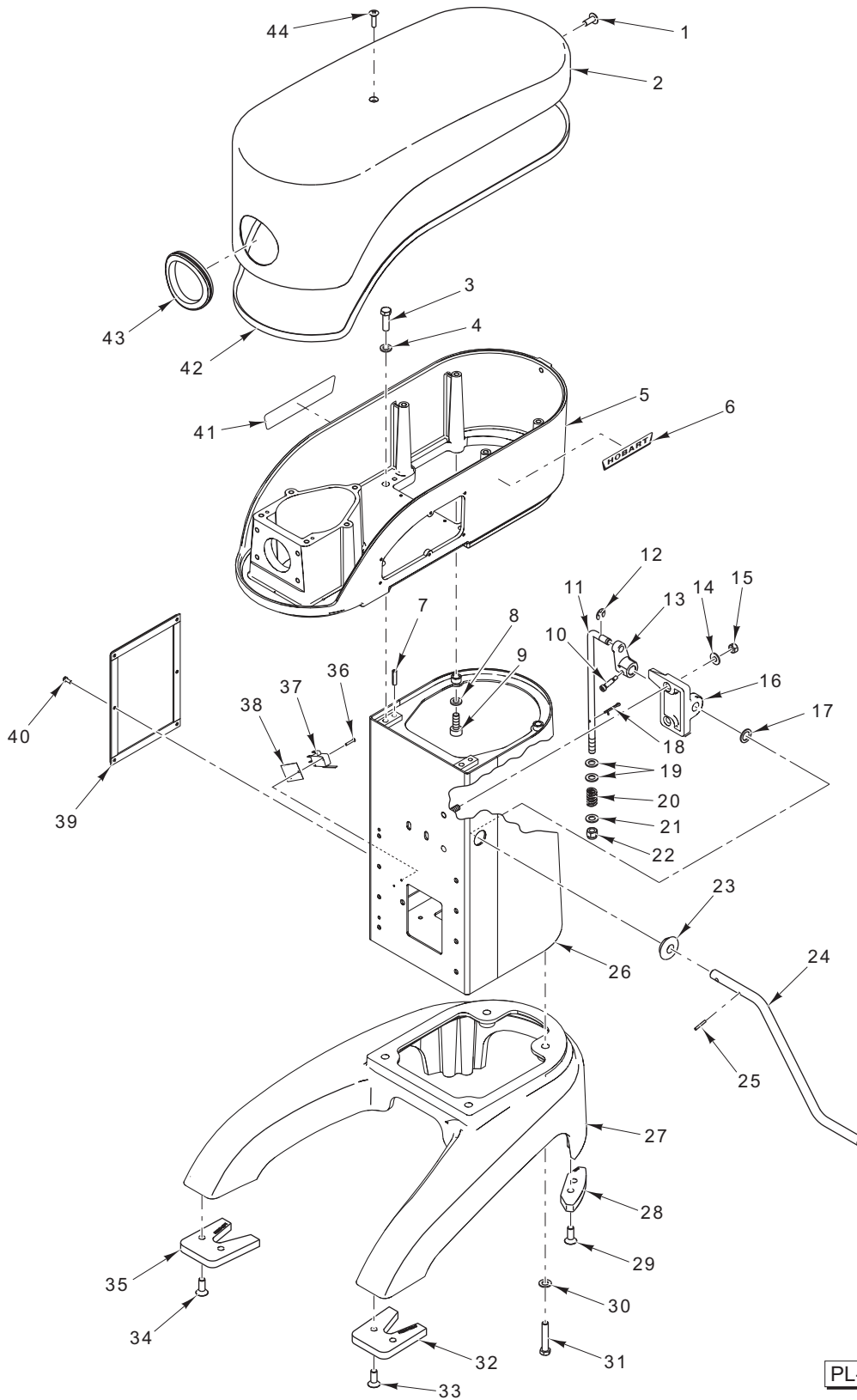


PL-59225

ATTACHMENT HUB

ATTACHMENT HUB

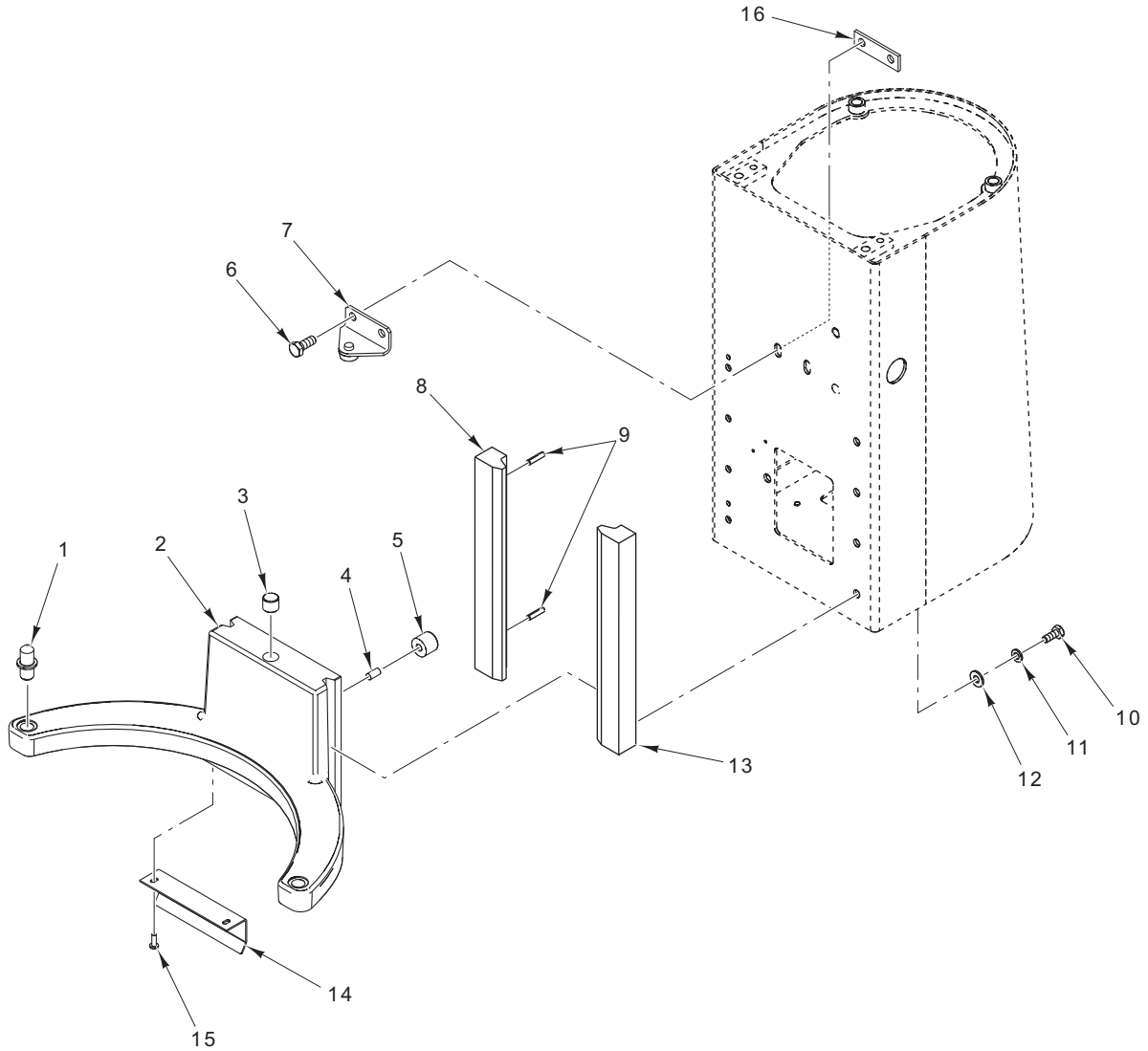
ILLUS.	PART NO.	NAME OF PART	AMT.
PL-59225			
1	PL-003-17	Plug – Expansion	1
2	00-917174	Gear – Drive Attachment (Incls. Item 1).....	1
3	00-061920-00001	Washer (0.076)	AR
4	00-061920-00002	Washer (0.079)	AR
5	00-061920-00003	Washer (0.082)	AR
6	00-061920-00004	Washer (0.085)	AR
7	00-061920-00005	Washer (0.088)	AR
8	00-061920-00006	Washer (0.091)	AR
9	00-061920-00007	Washer (0.094)	AR
10	00-061920-00008	Washer (0.097)	AR
11	00-061920-00009	Washer (0.100)	AR
12	00-061920-00010	Washer (0.103)	AR
13	00-061920-00011	Washer (0.106)	AR
14	00-061920-00012	Washer (0.070)	AR
15	OR-001-03	O-Ring – Quad.....	1
16	00-917066-00002	Hub – Attachment	1
17	WL-003-47	Lockwasher ⁵ / ₁₆ Helical	4
18	SC-037-85	Cap Screw ⁵ / ₁₆ -18 x 1 Hex Hd.....	4
19	00-917322	Plug – Attachment (Black)	1
20	00-108197-00001	Screw – Thumb 1 ¹ / ₄	1



BASE AND PEDESTAL

BASE AND PEDESTAL

ILLUS.	PART NO.	NAME OF PART	AMT.
PL-59227			
1	SC-130-16	Mach. Screw ⁵ / ₁₆ -24 x ³ / ₄ Phil. Truss Hd.....	1
2	00-917118	Cover – Top.....	1
3	SC-118-09	Cap Screw ³ / ₈ -16 x 1 ¹ / ₄ Hex Hd.....	2
4	WL-004-06	Lockwasher ³ / ₈ Helical.....	2
5	00-937141-00002	Transmission.....	1
6	00-118363	Logo – Hobart (Small).....	1
7	RP-006-37	Pin – Roll.....	2
8	WL-004-06	Lockwasher ³ / ₈ Helical.....	2
9	SC-087-36	Cap Screw ³ / ₈ -16 x 1 Hex Socket Hd.....	2
10	SC-086-49	Shoulder Screw 10-24 x 1 Hex Soc. Hd.....	1
11	00-917824	Rod – Bowl Lift.....	1
12	RR-012-42	Retaining Ring.....	2
13	00-917089-00003	Arm – Bowl Lift.....	1
14	WS-017-16	Washer.....	2
15	NS-013-14	Nut ⁵ / ₁₆ -18 Hex.....	2
16	00-917082-00003	Bearing – Bowl Lift.....	1
17	WS-020-01	Washer (SST).....	1
18	PC-003-55	Pin – Cotter.....	1
19	WS-006-26	Washer.....	2
20	00-012782	Spring.....	1
21	WS-006-26	Washer.....	1
22	NS-036-15	Stop Nut ³ / ₈ -24.....	1
23	00-439586	Grommet.....	1
24	00-917826	Handle – Bowl Lift.....	1
25	RP-002-25	Pin – Roll.....	1
26	00-917873	Pedestal – Weldment.....	1
27	00-937144-00002	Base.....	1
28	00-917166	Pad – Rear.....	2
29	SC-061-15	Cap Screw ³ / ₈ -16 x 1 Hex Flat Hd.....	4
30	WS-006-26	Washer.....	4
31	SC-118-09	Cap Screw ³ / ₈ -16 x 1 ¹ / ₄ Hex Hd.....	4
32	00-917165-00002	Pad – Front (RH).....	1
33	SC-061-15	Cap Screw ³ / ₈ -16 x 1 Hex Flat Hd.....	2
34	SC-061-15	Cap Screw ³ / ₈ -16 x 1 Hex Flat Hd.....	2
35	00-917165-00001	Pad – Front (LH).....	1
36	SC-060-40	Mach. Screw 4-40 x ⁵ / ₈ Slotted Rd. Hd.....	2
37	00-916902-00007	Switch – Snap-Action.....	1
38	00-439892	Insulator – Switch.....	1
39	00-937139	Cover (Incls. Gasket).....	1
40	SC-120-61	Mach. Screw M4 x 0.7 x 10mm Slotted Cheese Hd.....	6
41	00-118364	Logo – Hobart (Large).....	1
42	00-874925-00007	Seal – Neopreme.....	1
43	00-917128	Grommet – Attachment Hub.....	1
44	SC-120-29	Mach. Screw ¹ / ₄ -20 x 1 Phil. Oval Hd.....	1

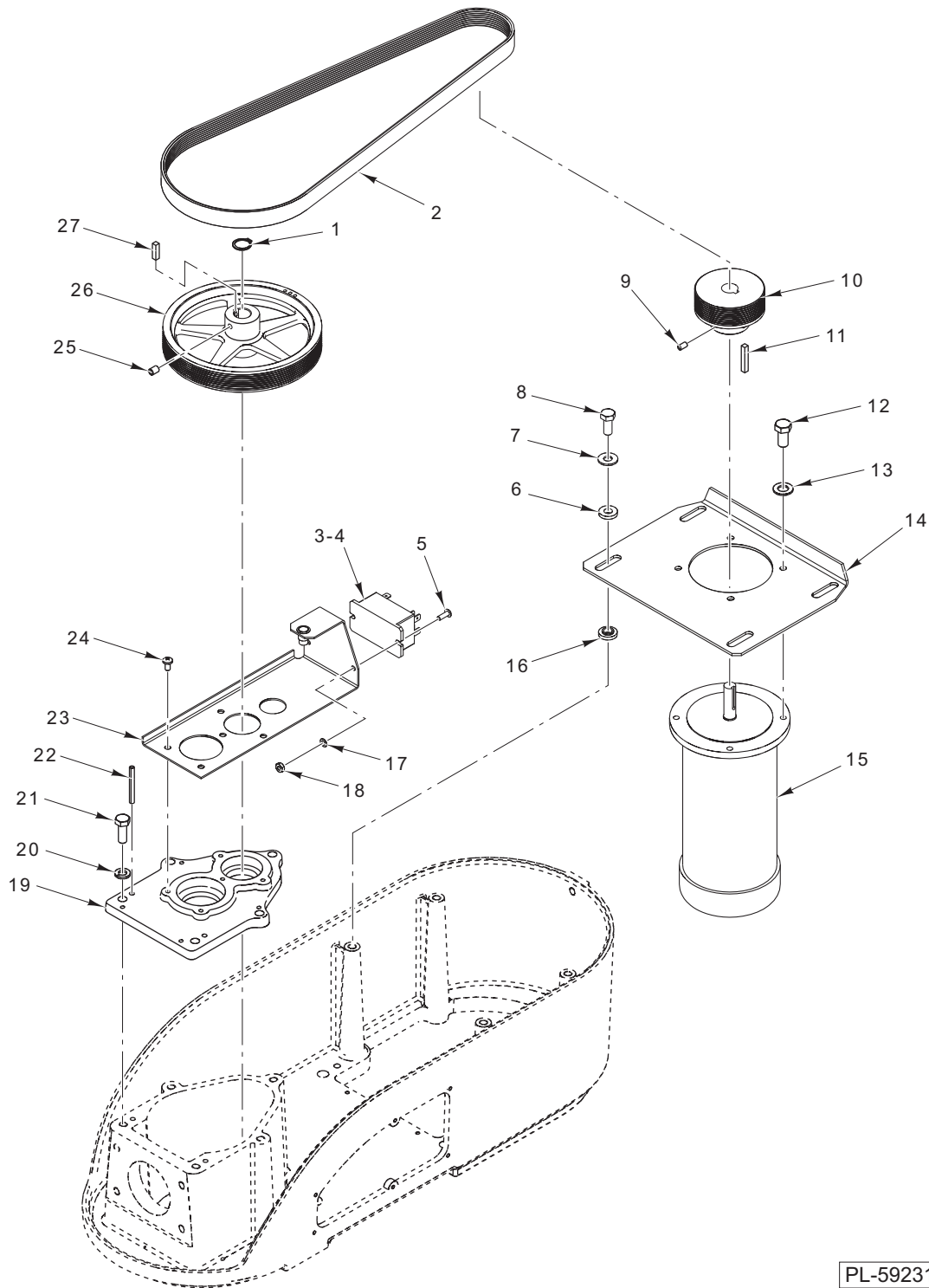


PL-59229

BOWL SUPPORT

BOWL SUPPORT

ILLUS.	PART NO.	NAME OF PART	AMT.
PL-59229			
1	00-937076	Pin – Bowl Mounting	2
2	00-917872	Support – Bowl (Incls. Items 1, 3, 4, & 5)	1
3	00-917865	Isolator (Lower Bowl Stop).....	1
4	00-917185	Magnet.....	1
5	00-917186	Holder – Magnet	1
6	SC-120-59	Cap Screw M8 x 1.25 x 20mm Hex Hd.....	2
7	00-917863	Plate & Isolator (Bowl Lift)	1
8	00-937079-00001	Slideway (LH)	1
9	RP-005-09	Pin – Roll	2
10	SC-110-12	Cap Screw 1/4-20 x 5/8 Hex Hd.....	8
11	WL-003-38	Lockwasher 1/4 Helical.....	8
12	WS-017-25	Washer.....	4
13	00-937079-00002	Slideway (RH).....	1
14	00-937089	Apron – Lower	1
15	SC-018-34	Mach. Screw 8-32 x 1/2 Phil. Pan Hd.....	2
16	00-917654	Retainer	1

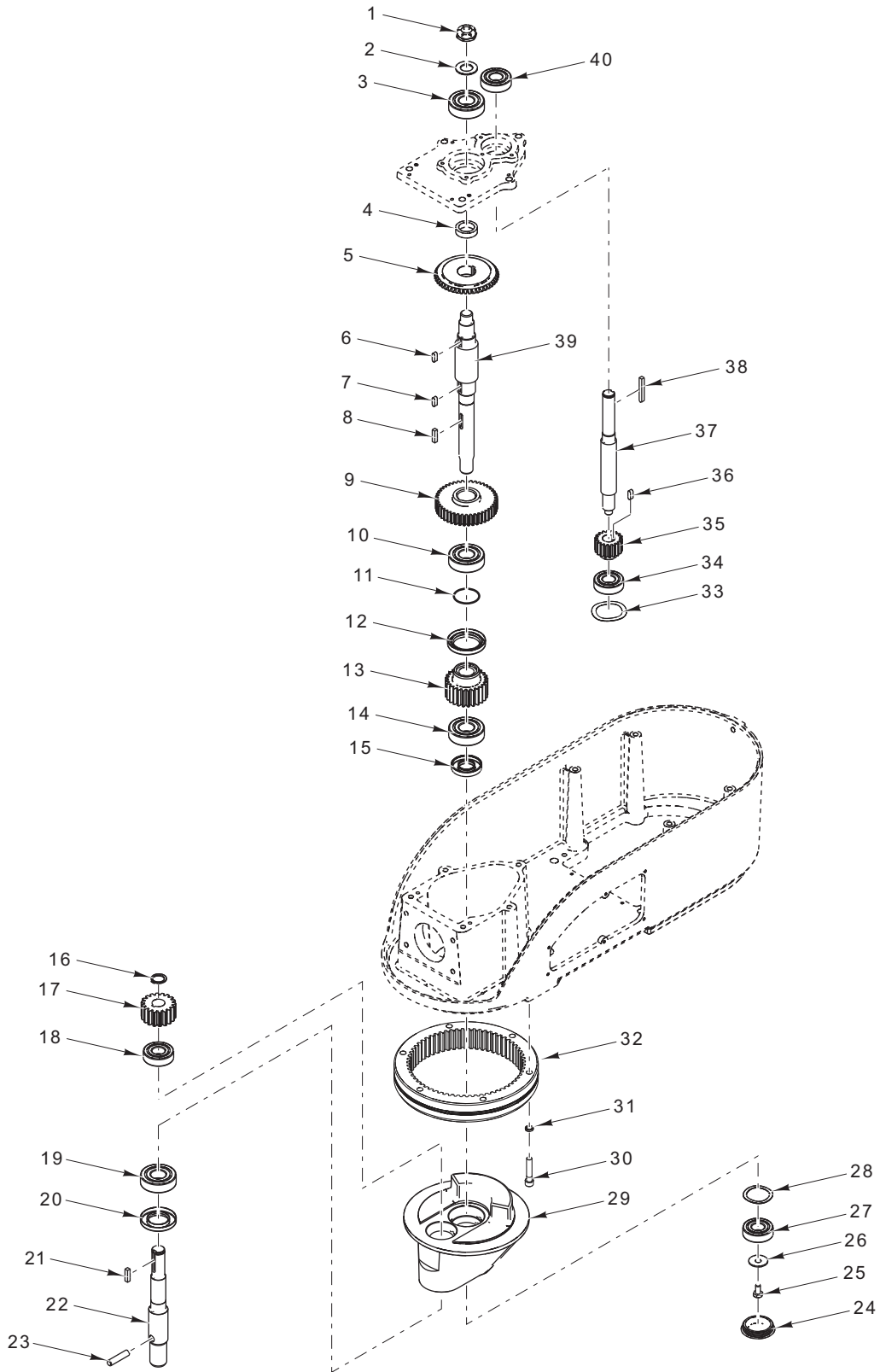


PL-59231

TRANSMISSION CASE AND MOTOR

TRANSMISSION CASE AND MOTOR

ILLUS.	PART NO.	NAME OF PART	AMT.
PL-59231			
1	RR-004-18	Ring – Retaining	1
2	00-917502-00002	Belt – V Ribbed	1
3	00-087714-042-1	Relay (2-Pole) (120 VAC) (ML-141013).....	1
4	00-087714-042-3	Relay (2-Pole) (240 VAC) (ML-141015).....	1
5	SC-021-15	Mach. Screw 8-32 x 1/2 Slotted Rd. Hd.	2
6	00-917410	Isolator	4
7	WS-030-44	Washer.....	4
8	SC-130-77	Cap Screw M8 x 1.25 x 30mm Hex Hd.....	4
9	SC-075-36	Set Screw 10-24 x 3/8 Hex Hdls., Cup Pt.....	2
10	00-937128	Pulley – Driver	1
11	00-917496-00018	Key 6mm x 6mm x 25mm	1
12	SC-125-09	Mach. Screw M6 x 1.0 x 12mm Hex Hd.	4
13	WL-019-97	Lockwasher M6 Helical.....	4
14	00-937140	Plate – Motor Mounting.....	1
15	00-937161	Motor Assy.	1
16	00-917410	Isolator	4
17	WL-013-08	Lockwasher #8 Internal.....	2
18	NS-009-12	Nut 8-32 Hex.....	2
19	00-917083-00002	Cover – Transmission Case.....	1
20	WL-003-47	Lockwasher 5/16 Helical	5
21	SC-062-81	Cap Screw 5/16 x 7/8 Hex Soc. Hd.	5
22	RP-005-09	Pin – Roll	2
23	00-937158	Retainer – Top Bearing	1
24	SC-018-62	Mach. Screw 5/16 -18 x 3/8 Phil. Pan Hd.	5
25	SC-047-12	Set Screw 1/4-20 x 3/8 Hex Hdls., Cup Pt.	2
26	00-917370	Pulley – Driven.....	1
27	00-917496-00012	Key 5mm x 5mm x 40mm	1
	00-916972-002-6	Tubing – Convoluted Slit.....	1

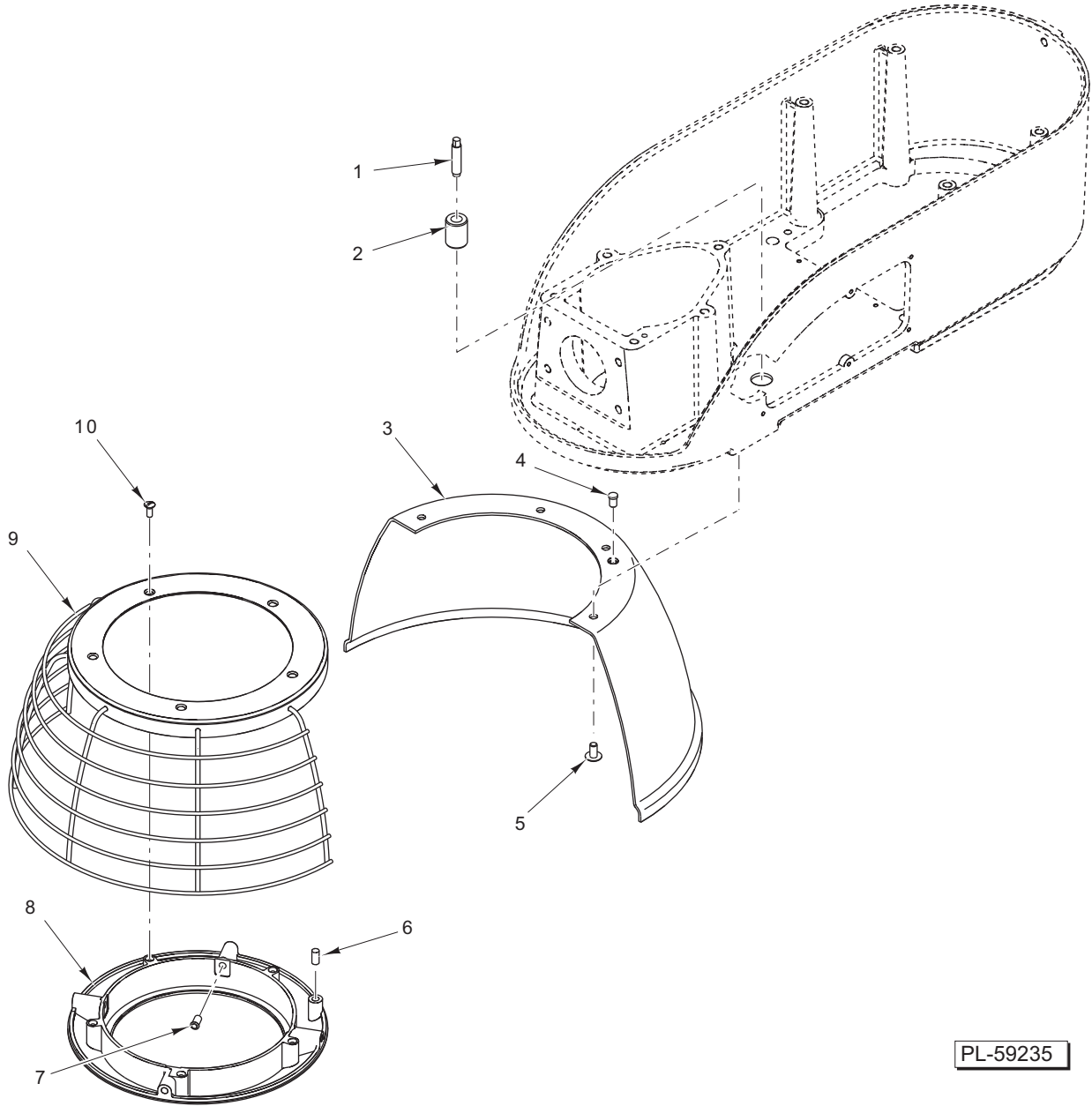


PL-59233

TRANSMISSION

TRANSMISSION

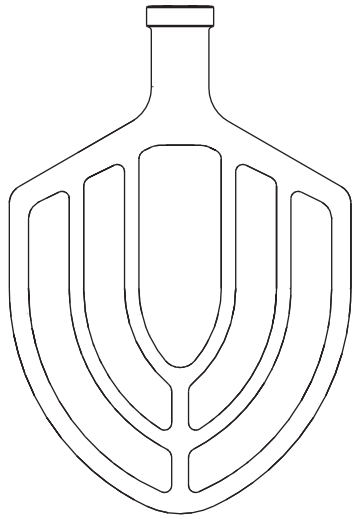
ILLUS.	PART NO.	NAME OF PART	AMT.
	PL-59233		
1	NS-032-37	Lock Nut ⁵ / ₈ -18 (SST).....	1
2	WS-010-41	Washer.....	1
3	BB-005-34	Bearing – Ball	1
4	00-874793	Spacer – Planetary	1
5	00-124733-00002	Gear – Bevel (46T).....	1
6	00-012430-00046	Key ³ / ₁₆ X ³ / ₁₆ X ¹⁷ / ₃₂	1
7	00-012430-00045	Key ³ / ₁₆ X ³ / ₁₆ X ⁹ / ₁₆	1
8	00-012430-00048	Key ³ / ₁₆ X ³ / ₁₆ X ³ / ₄	1
9	00-917109	Gear (43T)	1
10	BB-005-46	Bearing – Ball	1
11	00-067500-00009	O-Ring	1
12	00-917123	Seal – Center Shaft	1
13	00-917100	Gear – Sun	1
14	BB-005-46	Bearing – Ball	1
15	00-439588	Seal – Transmission Case.....	1
16	RR-011-02	Ring – Retaining	1
17	00-439548	Gear – Planetary.....	1
18	BB-020-18	Bearing – Ball	1
19	BB-005-46	Bearing – Ball	1
20	00-023482	Seal – Grease.....	1
21	00-012430-00048	Key ³ / ₁₆ X ³ / ₁₆ X ³ / ₄	1
22	00-439577	Shaft – Planetary (Incls. Item 23).....	1
23	00-065062-00001	Pin – Dowel.....	1
24	00-439632	Plug –Planetary	1
25	SC-090-19	Mach. Screw ¹ / ₂ -13 x ³ / ₄ Slotted Rd. Hd.....	1
26	WS-030-04	Washer.....	1
27	BB-020-18	Bearing – Ball	1
28	SL-005-12	Spring – Loaded	1
29	00-439552-00002	Planetary.....	1
30	SC-040-09	Cap Screw ¹ / ₄ -20 x 1 ¹ / ₄ Hex Socket Hd.....	6
31	WL-003-35	Lockwasher ¹ / ₄ Helical.....	6
32	00-917086-00002	Gear – Internal (63T).....	1
33	SL-005-19	Spring – Loading.....	1
34	BB-005-01	Bearing – Ball	1
35	00-874777	Gear (18T)	1
36	00-012430-00007	Key ¹ / ₈ x ¹ / ₈ x ¹¹ / ₁₆	1
37	00-917116	Shaft – Input	1
38	00-917496-00012	Key 5mm x 5mm x 40mm	1
39	00-917081	Shaft – Center.....	1
40	BB-005-23	Bearing – Ball	1
	00-917179	Center Shaft Assy. (Incls. Items 7, 9, 10, & 39)	1



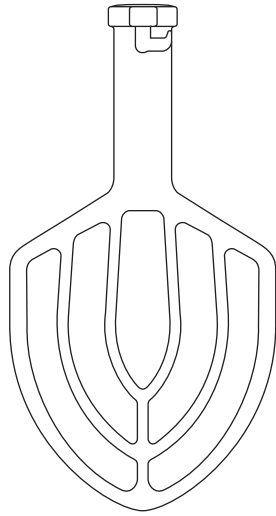
BOWL GUARD

BOWL GUARD

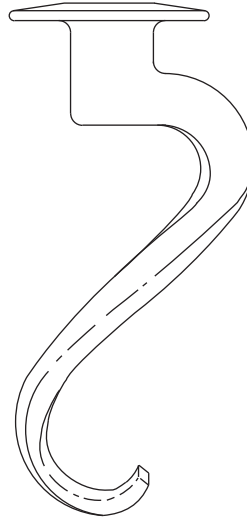
ILLUS.	PART NO.	NAME OF PART	AMT.
PL-59235			
1	00-916902-00003	Switch – Reed.....	1
2	00-917184	Holder – Reed Switch.....	1
3	00-917155	Guard – Rear Splash.....	1
4	00-917281	Pin – Magnet Bridge.....	1
5	SC-053-41	Mach. Screw 1/4-20 x 1/2 Slotted Truss Hd.....	4
6	00-917185	Magnet.....	1
7	00-917056	Plunger – Ball.....	4
8	00-917152	Ring – Drip.....	1
9	00-917151	Cage.....	1
10	SC-023-44	Mach. Screw 10-24 x 1/2 Slotted Oval Hd. (SST).....	5
	00-917150	Wire Cage Assy. (Incls. Items 6 thru 10).....	1



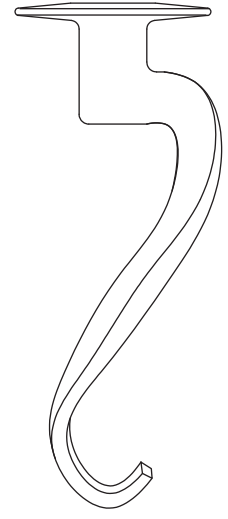
1



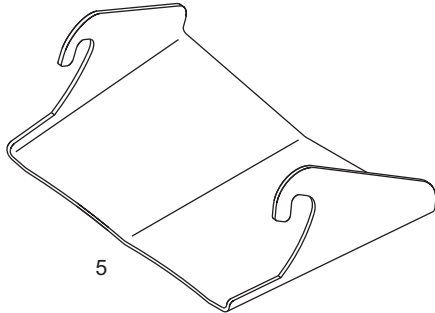
2



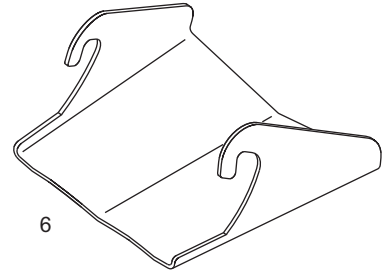
3



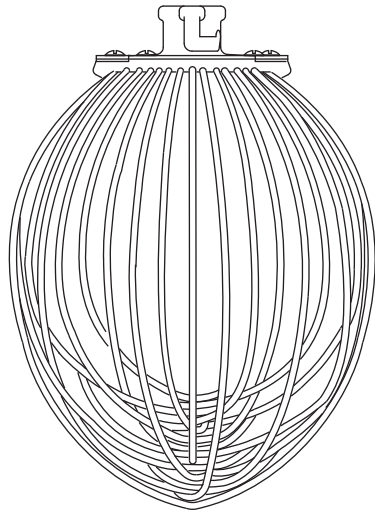
4



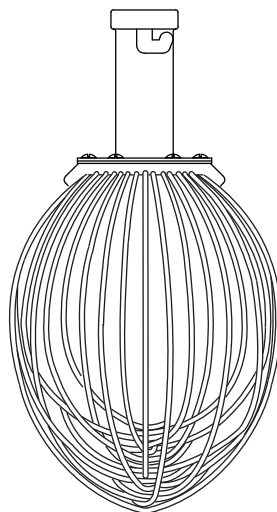
5



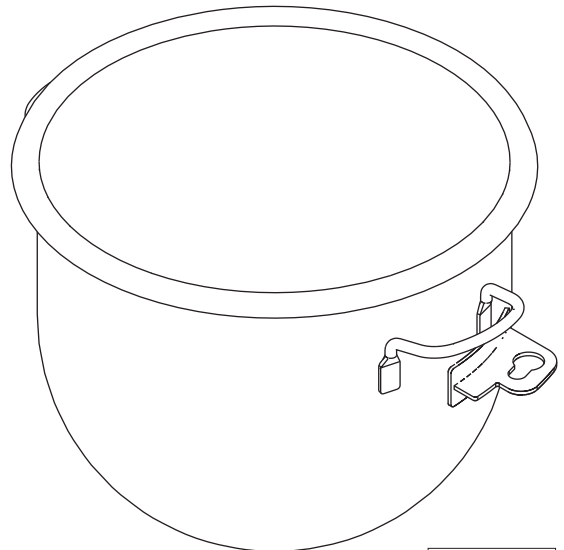
6



7



8



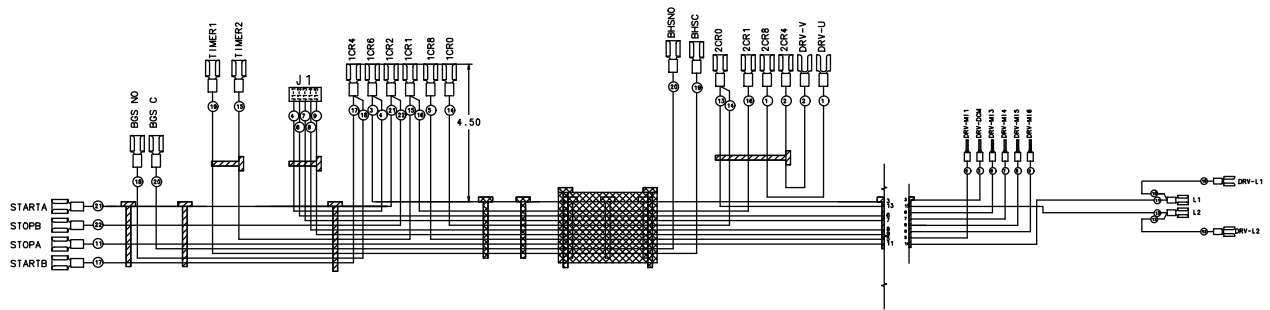
9-10

PL-59237

AGITATORS AND ACCESSORIES

AGITATORS AND ACCESSORIES

ILLUS.	PART NO.	NAME OF PART	AMT.
PL-59237			
1	00-917746	"B" Beater (20 Qt.) (Packaged).....	1
2	00-917747	"B" Beater (12 Qt.) (Packaged).....	1
3	00-917750	"ED" Hook – Dough Arm (20 Qt.) (Packaged)	1
4	00-917751	"ED" Hook – Dough Arm (12 Qt.) (Packaged)	1
5	00-917752	Chute – Ingredient (20 Qt.) (Packaged).....	1
6	00-917753	Chute – Ingredient (12 Qt.) (Packaged).....	1
7	00-917748	"D" Wire Whip (20 Qt.) (Packaged).....	1
8	00-917749	"D" Wire Whip (12 Qt.) (Packaged).....	1
9	00-917744	Bowl (20 Qt.) (Packaged)	1
10	00-917745	Bowl (12 Qt.) (Packaged)	1
	00-917760	Guard – Splash (20 Qt.) (Packaged)	1



00-937154 Harness - Main Wiring

PL-59239

WIRING HARNESSES