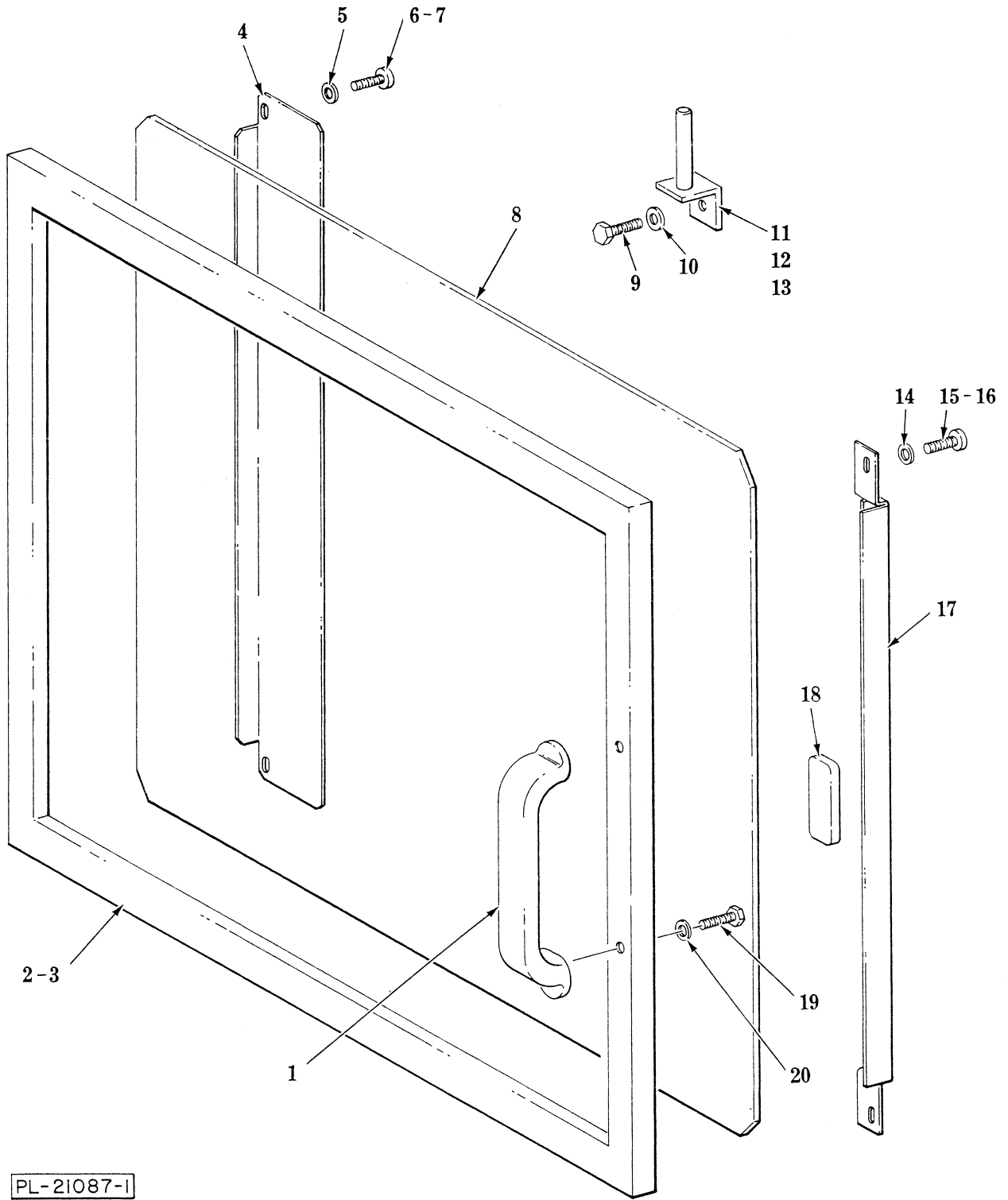




# CATALOG OF REPLACEMENT PARTS

## HRO100 ROTARY OVEN

ML-43737

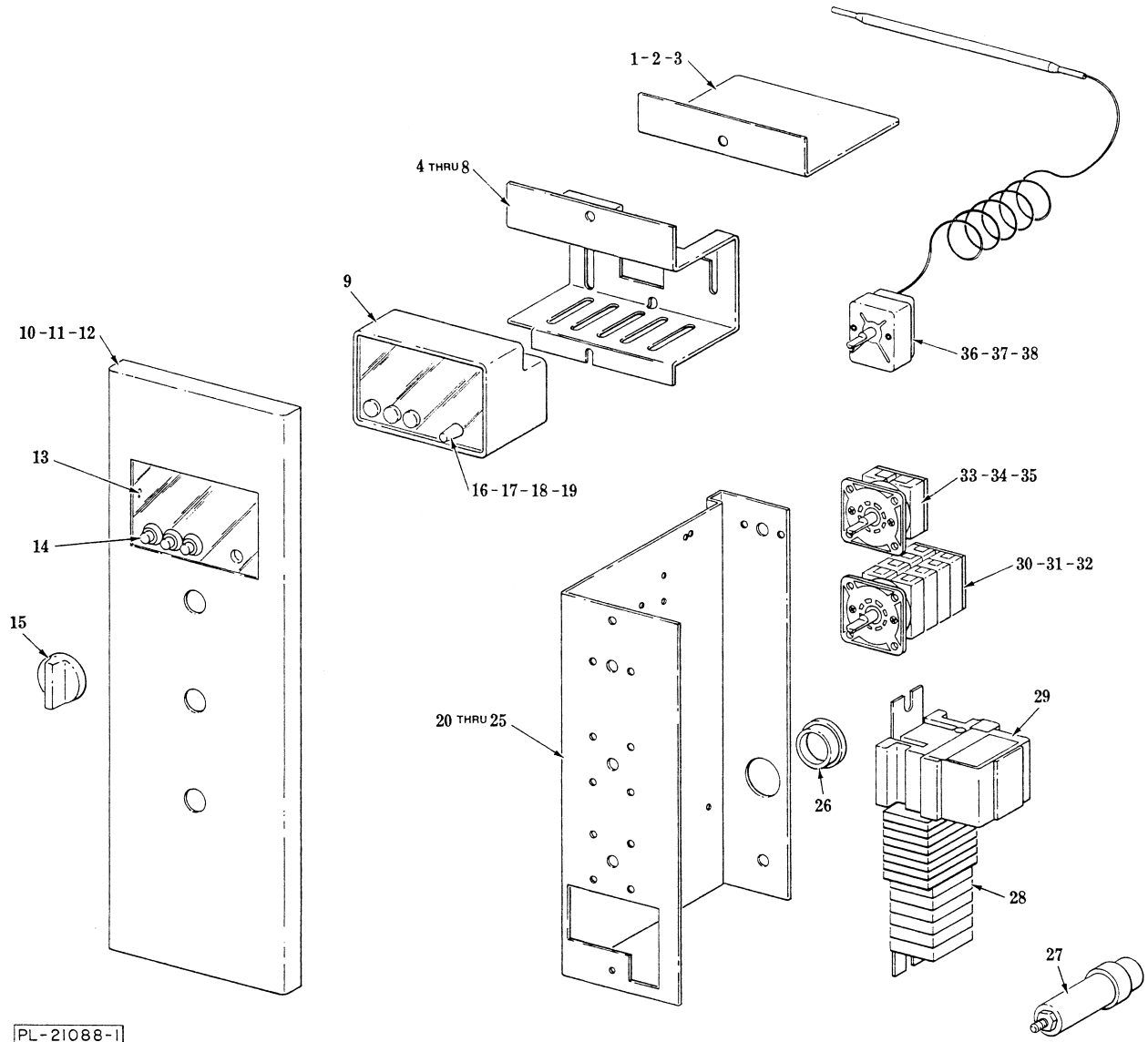


PL-21087-1

DOOR UNIT

## DOOR UNIT

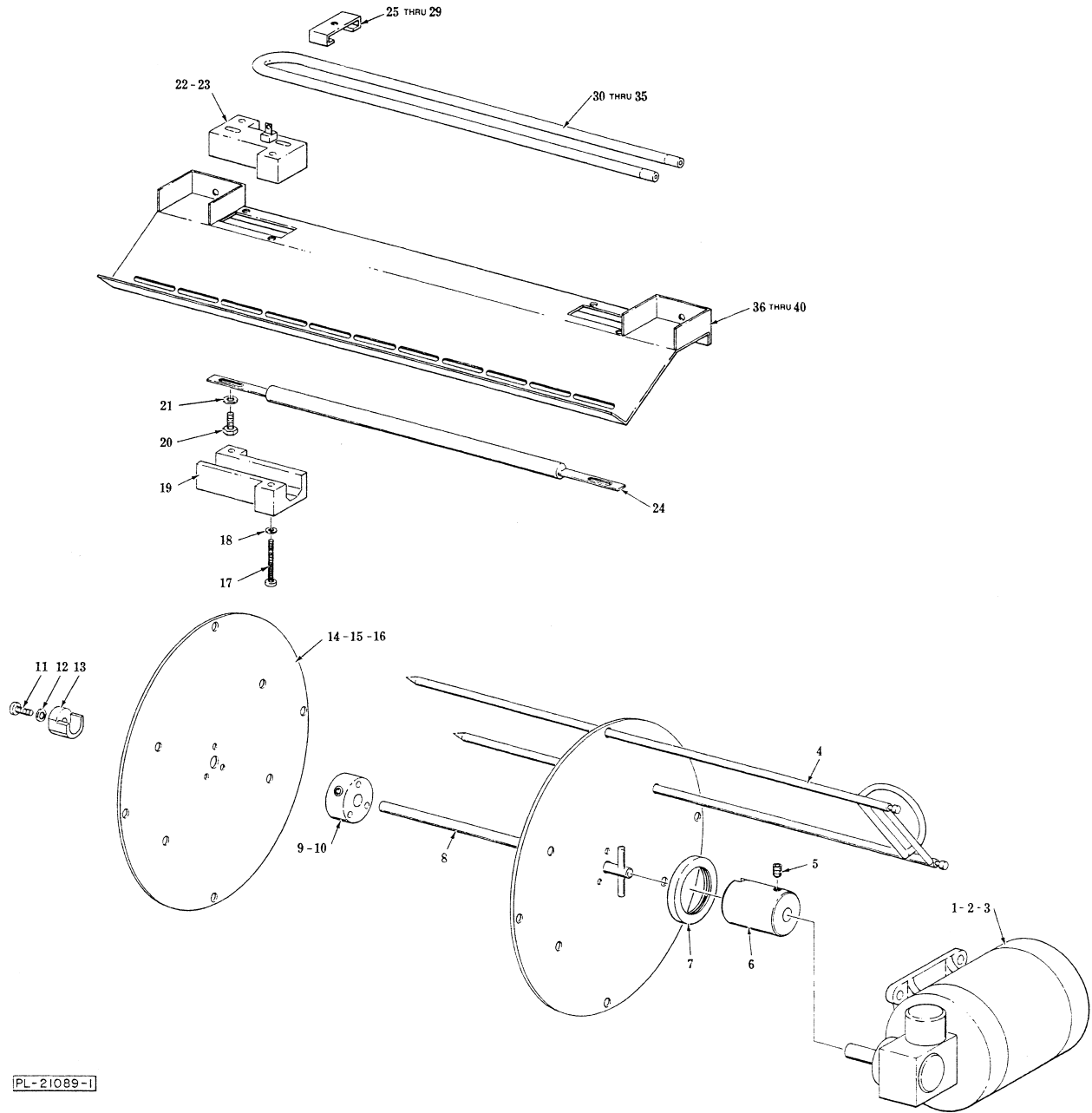
ILLUS. PL-21087-1	PART NO.	NAME OF PART <sup>34</sup>	AMT.
1	360032	Handle - Door (Operator's Side Only) .....	1
2	360098	Holder - Glass Door (Customer's Side) .....	1
3	360099	Holder - Glass Door (Operator's Side) .....	1
4	360105	Cover - Door Glass Profile .....	2
5	SL-5-6	Spring - Loading .....	4
6	SC-120-51	Mach. Screw M4 × 0.7 × 10 MM Cheese Hd .....	4
7	NS-47-13	Nut - Hex M6 × 1.0 .....	4
8	360142	Glass - Door .....	2
9	SC-120-48	Cap Screw M6 × 1.0 × 18MM Hex Hd .....	4
10	WS-22-6	Washer .....	4
11	360135	Hinge - Door .....	4
12	WL-19-71	Lock Washer M6 Medium .....	4
13	NS-47-50	Nut - Hex M6 × 1.0 .....	4
14	SL-5-6	Spring - Loading .....	4
15	SC-120-51	Mach. Screw M4 × 0.7 × 10MM Cheese Hd .....	4
16	NS-47-13	Nut - Hex M6 × 1.0 .....	4
17	360106	Holder - Magnet .....	2
18	360128	Magnet - Door .....	6
19	SC-120-57	Cap Screw M6 × 1.0 × 10MM Hex Hd .....	2
20	SL-5-8	Spring - Loading .....	2



CONTROL PANEL UNIT

## CONTROL PANEL UNIT

ILLUS. PL-21088-1	PART NO.	NAME OF PART <sup>3a</sup>	AMT.
1	360100	Cover - Protection	1
2	WL-19-71	Lock Washer M6 Medium	1
3	NS-47-89	Nut - Wing M6 x 1.0	1
4	360125	Plate - Clock Mounting	1
5	SC-120-55	Mach. Screw M4 x 0.7 x 10MM Flat Hd	1
6	WS-19-9	Washer	1
7	WL-19-72	Lock Washer M4 Medium	1
8	NS-47-48	Nut Hex M4 x 0.7	1
9	360126	Clock - Digital	1
10	360095	Control Panel Assy. (Operator's Side)	1
11	WL-19-71	Lock Washer M6 Medium	2
12	NS-47-89	Nut - Wing M6 x 1.0	2
13	360124	Cover - Display	1
14	360117	Button - Push	3
15	360147	Knob - Switch	2
16	360120	Knob - Rotary Clock	1
17	360121	Cover - Rotary Clock Knob	1
18	360140	Shaft - Clock Extension	1
19	SC-120-52	Set Screw M3 x 0.5 x 4.5MM Hdls. Cup Pt	1
20	360119	Panel - Electrical Component	1
21	SD-37-28	Self-Tapping Screw 4.2MM x 13MM Pan Hd., Type AB	3
22	NS-47-50	Nut - Hex M6 x 1.0	3
23	SC-120-55	Mach. Screw M4 x 0.7 x 10MM Flat Hd	2
24	WL-19-72	Lock Washer M4 Medium	2
25	NS-47-48	Nut - Hex M4 x 0.7	2
26	360143	Bushing	1
27	360146	Capacitor	1
28	360150	Terminal Block	1
29	360151	Relay	1
30	360122	Switch - Main (On/Off)	1
31	SC-120-61	Mach. Screw M4 x 0.7 x 10MM Cheese Hd	4
32	NS-47-48	Nut - Hex M4 x 0.7	4
33	360123	Switch - Rotary	1
34	SC-120-61	Mach. Screw M4 x 0.7 x 10MM Cheese Hd	4
35	NS-47-48	Nut - Hex M4 x 0.7	4
36	360145	Thermostat	2
37	360281	Clip - Thermostat	2
38	SC-120-53	Mach. Screw M4 x 0.7 x 6MM Cheese Hd	4
	360144	Spacer - Control Panel	1
	360280	Plate - Ground	1
	SC-120-49	Cap Screw M5 x 0.8 x 20MM Hex Hd. (Use with Ground Plate)	1
	WL-19-69	Lock Washer M5 Ext. Shakeproof (Use with Ground Plate)	1
	NS-47-49	Nut - Hex M5 x 0.8 (Use with Ground Plate)	1

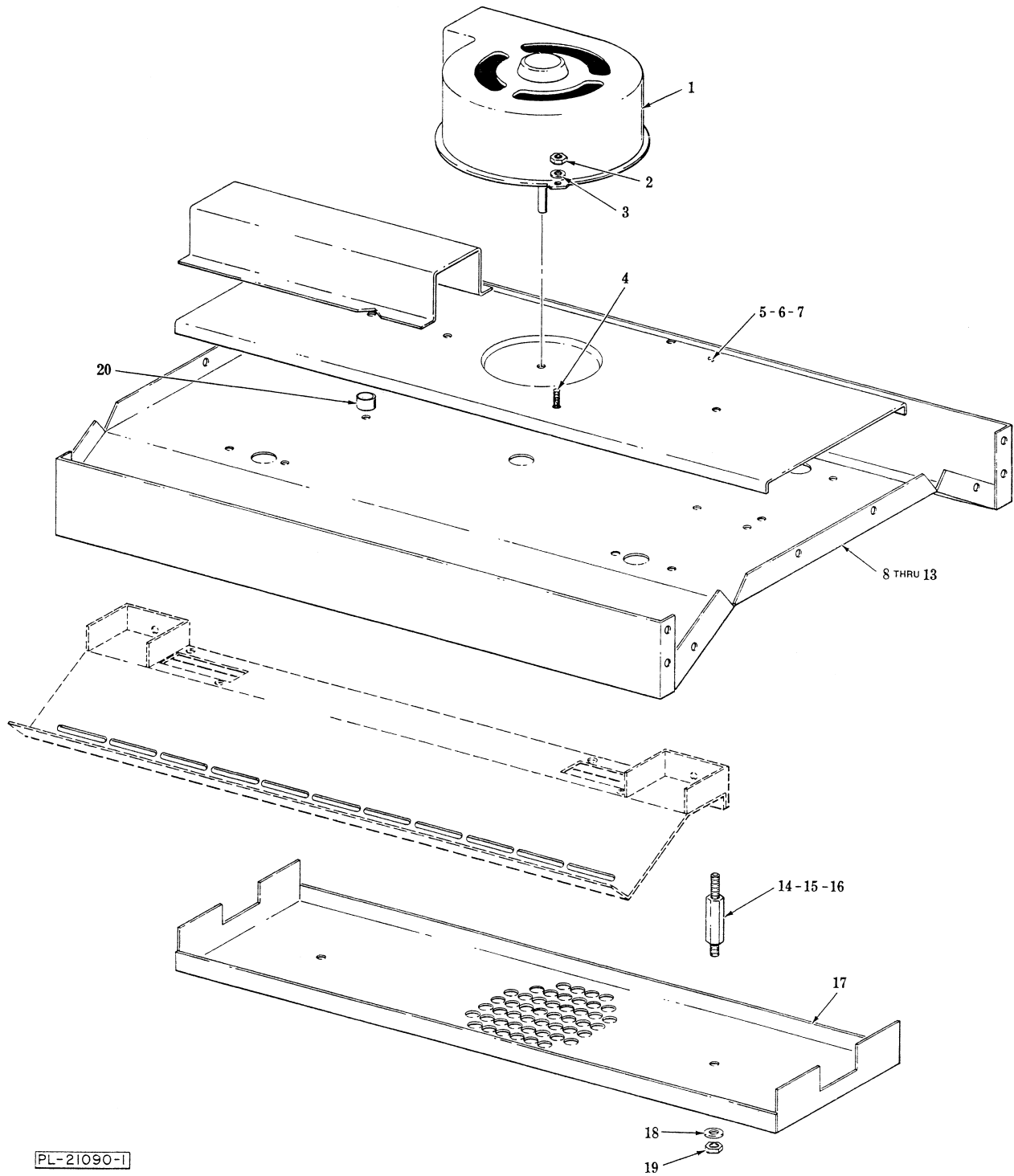


PL-21089-1

ROTISSERIE UNIT

## ROTISSERIE UNIT

ILLUS. PL-21089-1	PART NO.	NAME OF PART <sup>34</sup>	AMT.
1	360139	Motor - Gear W/O Capacitor	1
2	WL-19-71	Lock Washer M6 Medium	4
3	NS-47-50	Nut - Hex M6 x 1.0	8
4	360152	Fork - Meat	4
5	SC-117-33	Set Screw M8 x 1.25 x 12MM Hdls. Cup Pt	1
6	360131	Bearing - Drive	1
7	360137	Seal - Ring	1
8	360134	Shaft - Rotor	1
9	360132	Disc - Stud	2
10	SC-117-32	Set Screw M8 x 1.25 x 16MM Hdls. Cup Pt	4
11	SC-120-54	Cap Screw M8 x 1.25 x 10MM Soc. Hd	1
12	WL-19-70	Lock Washer M8 Medium	1
13	360130	Bearing - Rotor Disc	1
14	360133	Disc - Rotor	2
15	SC-118-43	Cap Screw M6 x 1.0 x 20MM Hex Hd	6
16	SL-5-8	Spring Loading	6
17	SC-120-56	Mach. Screw M4 x 0.7 x 20MM Cheese Hd	8
18	SL-5-6	Spring - Loading	8
19	360156	Holder - Quartz Lamp Cap	4
20	SC-120-50	Cap Screw M5 x 0.8 x 8MM Hex Hd	4
21	WS-30-31	Washer	4
22	360129	Holder - Quartz Lamp Base	4
23	NS-47-48	Nut - Hex M4 x 0.7	8
24	360155	Lamp Quartz	2
25	360112	Bracket - Heating Element	2
26	SC-120-48	Cap Screw M6 x 1.0 x 18MM Hex Hd	2
27	SL-5-8	Spring - Loading	4
28	NS-47-50	Nut - Hex M6 x 1.0	2
29	NS-47-13	Nut - Hex M6 x 1.0	4
30	360153	Element - Heating (1250 Watts each Unit)	2
31	360200	Ground (Connection)	2
32	SC-120-46	Mach. Screw M4 x 0.7 x 16MM Cheese Hd	2
33	WL-19-72	Lock Washer M4 Medium	2
34	NS-47-48	Nut - Hex M4 x 0.7	2
35	360149	Nut - Spring	4
36	360109	Plate - Lamp Holder W/Air Slots	2
37	SC-119-10	Cap Screw M6 x 1.0 x 30MM Hex Hd	6
38	SL-5-8	Spring - Loading	12
39	360141	Nut - High	6
40	NS-47-88	Nut - Crown M6 x 1.0	6

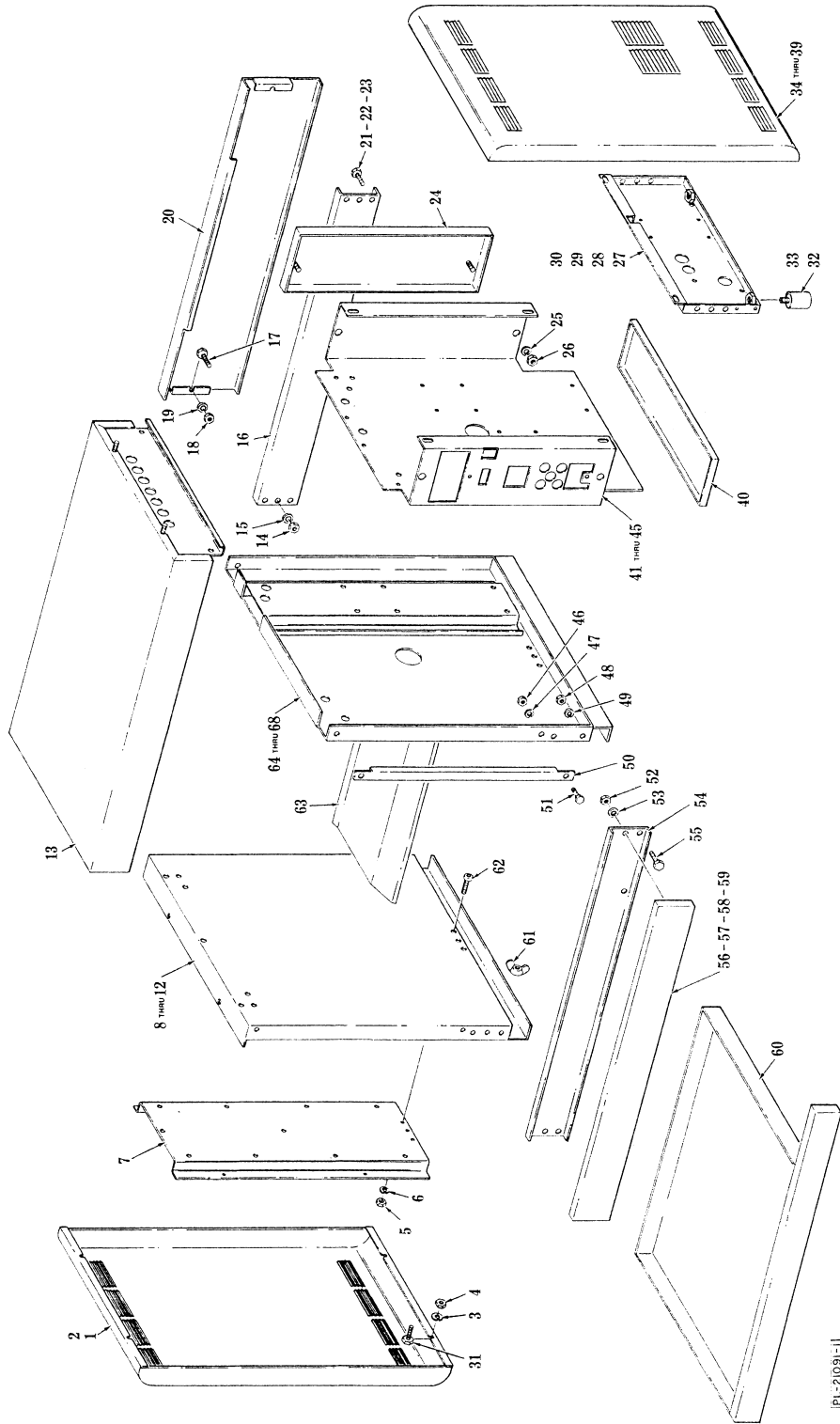


PL-21090-1

**BLOWER UNIT**

## BLOWER UNIT

ILLUS. PL-21090-1	PART NO.	NAME OF PART <sup>34</sup>	AMT.
1	360127	Blower (W/Fan Blade) .....	1
2	NS-47-48	Nut - Hex M4 x 0.7 .....	3
3	SL-5-6	Spring - Loading .....	3
4	SC-120-55	Mach. Screw M4 x 0.7 x 10MM Flat Hd .....	3
5	360101	Plate - Blower Mounting .....	1
6	WL-19-71	Lock Washer M6 Medium .....	2
7	NS-47-50	Nut - Hex M6 x 1.0 .....	2
8	360104	Plate - Ceiling .....	1
9	SC-120-57	Cap Screw M6 x 1.0 x 10MM Hex Hd .....	8
10	SC-120-48	Cap Screw M6 x 1.0 x 18MM Hex Hd .....	1
11	SC-118-44	Cap Screw M6 x 1.0 x 40MM Hex Hd .....	2
12	WL-19-71	Lock Washer M6 Medium .....	11
13	NS-47-50	Nut - Hex M6 x 1.0 .....	11
14	360136	Spacer - Fan Guard .....	2
15	WL-19-71	Lock Washer M6 Medium .....	2
16	NS-47-50	Nut - Hex M6 x 1.0 .....	2
17	360107	Guard - Fan .....	1
18	SL-5-8	Spring - Loading .....	2
19	NS-47-88	Nut - Crown M6 x 1.0 .....	2
20	360138	Spacer .....	2

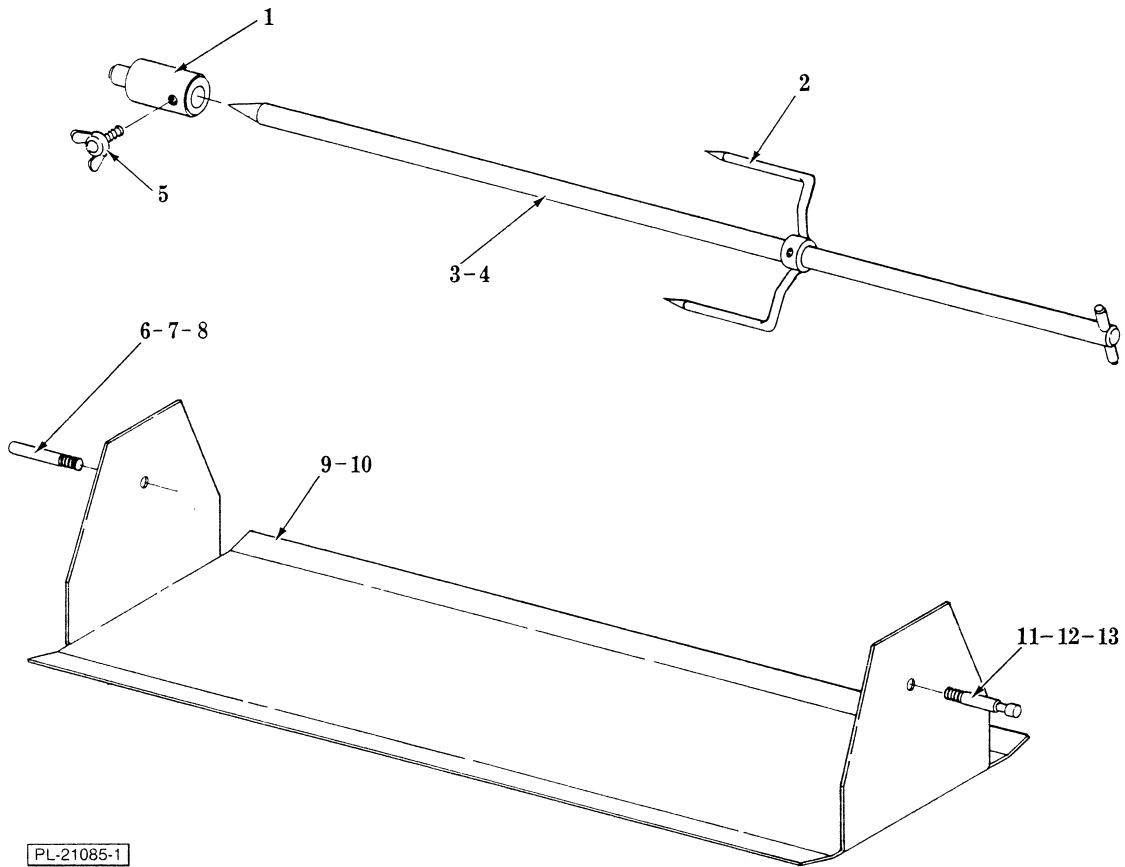


PL-2091-1

OVEN UNIT

## OVEN UNIT

ILLUS. PL-21091-1	PART NO.	NAME OF PART <sup>34</sup>	AMT.
1	360093	Panel - Outer (L.H.)	1
2	NS-47-50	Nut - Hex M6 x 1.0	4
3	WL-19-70	Lock Washer M8 Medium	4
4	NS-47-50	Nut - Hex M6 x 1.0	4
5	NS-47-50	Nut - Hex M6 x 1.0	14
6	WL-19-71	Lock Washer - M6 Medium	14
7	360114	Bearing Plate - Open Reinforcement	1
8	360092	Panel - Inner Oven Side (L.H.)	1
9	SC-120-57	Cap Screw M6 x 1.0 x 10MM Hex Hd	2
10	SC-120-48	Cap Screw M6 x 1.0 x 18MM Hex Hd	2
11	WL-19-71	Lock Washer M6 Medium	4
12	NS-47-50	Nut - Hex M6 x 1.0	4
13	360091	Top Assy	1
14	NS-47-49	Nut - Hex M5 x 0.8	2
15	WL-19-69	Lock Washer M5 Ext. Shakeproof	2
16	360111	Reinforcement - Profile	1
17	SC-120-49	Cap Screw M5 x 0.8 x 20MM Hex Hd	2
18	NS-47-49	Nut - Hex M5 x 0.8	2
19	WL-19-69	Lock Washer M5 Ext. Shakeproof	2
20	360102	Panel - Lower Front (Customer's Side)	1
21	SC-120-57	Cap Screw M6 x 1.0 x 10MM Hex Hd	4
22	WL-19-71	Lock Washer M6 Medium	4
23	NS-47-50	Nut - Hex M6 x 1.0	4
24	360096	Panel - Customer Side	1
25	WL-19-71	Lock Washer M6 Medium	2
26	NS-47-89	Wing Nut M6	2
27	360113	Plate - Main Mounting	1
28	SC-120-48	Cap Screw M6 x 1.0 x 18MM Hex Hd	2
29	WL-19-71	Lock Washer - M6 Medium	2
30	NS-47-50	Nut - Hex M6 x 1.0	2
31	SC-118-44	Cap Screw M6 x 1.0 x 40MM Hex Hd	2
32	WS-30-31	Washer	4
33	360037	Foot	4
34	360094	Panel - Outer (R.H.)	1
35	SC-118-44	Cap Screw M6 x 1.0 x 40MM Hex Hd	2
36	WL-19-70	Lock Washer M8 Medium	4
37	NS-47-88	Nut - Crown M6 x 1.0	2
38	NS-47-89	Wing Nut M6 x 1.0	2
39	NS-47-50	Nut - Hex M6 x 1.0	4
40	360108	Tray - Spray	1
41	360115	Plate - Mounting (Electrical Component Panel)	1
42	WL-19-71	Lock Washer M6 Medium	8
43	NS-47-50	Nut - Hex M6 x 1.0	12
44	SC-120-57	Cap Screw M6 x 1.0 x 10MM Hex Hd	4
45	WS-30-32	Washer	8
46	NS-47-50	Nut - Hex M6 x 1.0	4
47	WL-19-71	Lock Washer M6 Medium	4
48	NS-47-50	Nut - Hex M6 x 1.0	4
49	WL-19-71	Lock Washer M6 medium	4
50	360116	Strip - Magnet Activator	2
51	SC-120-57	Cap Screw M6 x 1.0 x 10MM Hex Hd	4
52	NS-47-49	Nut - Hex M5 x 0.8	2
53	WL-19-69	Lock Washer M5 Ext. Shakeproof	2
54	360111	Reinforcement - Profile	1
55	SC-120-57	Cap Screw M6 x 1.0 x 10MM Hex Hd	4
56	360103	Panel - Lower Front (Operator's Side)	1
57	SC-120-49	Cap Screw M5 x 0.8 x 20MM Hex Hd	2
58	WL-19-69	Lock Washer M5 Ext. Shakeproof	2
59	NS-47-49	Nut - Hex M5 x 0.8	2
60	360097	Drawer - Fat	1
61	NS-47-89	Wing Nut M6 x 1.0	2
62	SC-118-58	Cap Screw M6 x 1.0 x 12MM Hex Hd	6
63	360110	Plate - Bottom	2
64	360090	Panel - Inner Oven Side (R.H.)	1
65	SC-120-57	Cap Screw M6 x 1.0 x 10MM Hex Hd	2
66	SC-118-44	Cap Screw M6 x 1.0 x 40MM Hex Hd	2
67	WL-19-71	Lock Washer M6 Medium	4
68	NS-47-50	Nut - Hex M6 x 1.0	4
	360254	Data Plate (Give ML, Serial Number & Elec. Spec.)	1
	360209	Clip - Insulation	AR
	360282	Plate - Warning	1
	WS-22-6	Washer (Mounts Warning Plate)	2
	NS-47-48	Nut - Hex M4 x 0.7 (Mounts Warning Plate)	2



PL-21085-1

ACCESSORIES

ILLUS. PL-21085-1	PART NO.	NAME OF PART <sup>34</sup>	AMT.
1	360298	Sleeve - Spit	1
2	360299	Fork - Spit	AR
3	360300	Shaft - Spit	1
4	360279	Spit - Turkey Assy. (Incls. tems 1, 2, 3 & 5)	1
5	360297	Screw - Wing M5	AR
6	360385	Glide Pin	1
7	SL-5-8	Spring - Loading	2
8	NS-47-13	Nut - Hex M6 x 1.0	2
9	360383	Plate - Baking	1
10	360278	Plate - Baking Assy. (Incls. items 6 thru 9 & 11 thru 13)	1
11	360384	Drag Pin	1
12	SL-5-8	Spring - Loading	2
13	NS-47-13	Nut - Hex M6 x 1.0	2
	360277	Basket	1
	360284	Key - Spit	1