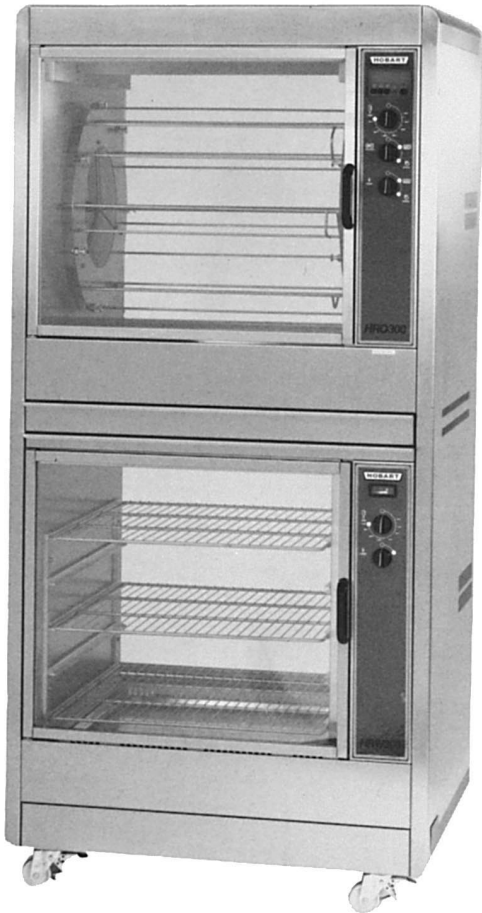


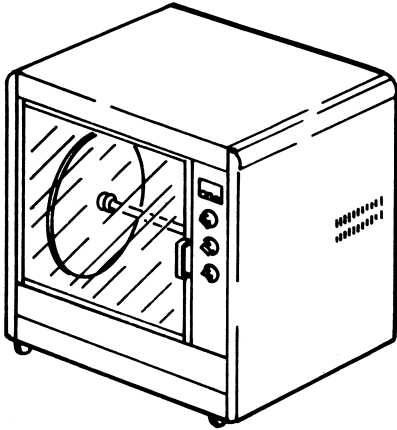


CATALOG OF REPLACEMENT PARTS



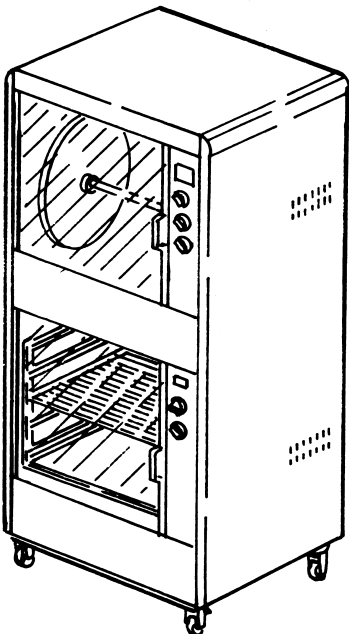
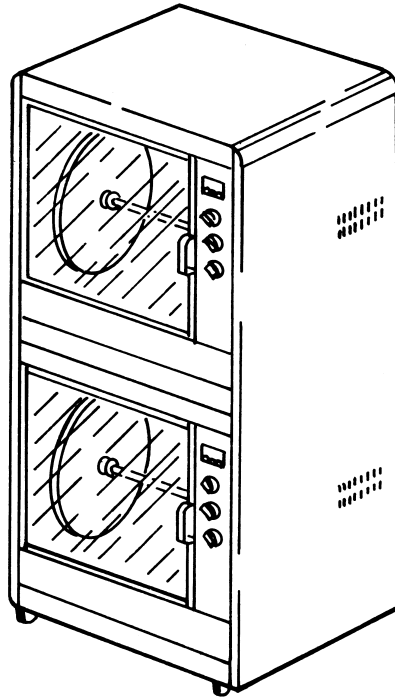
HRO SERIES ROTARY OVENS & WARMER

HRO300	ML-43738
HRO500	ML-43739
HRW300	ML-43740



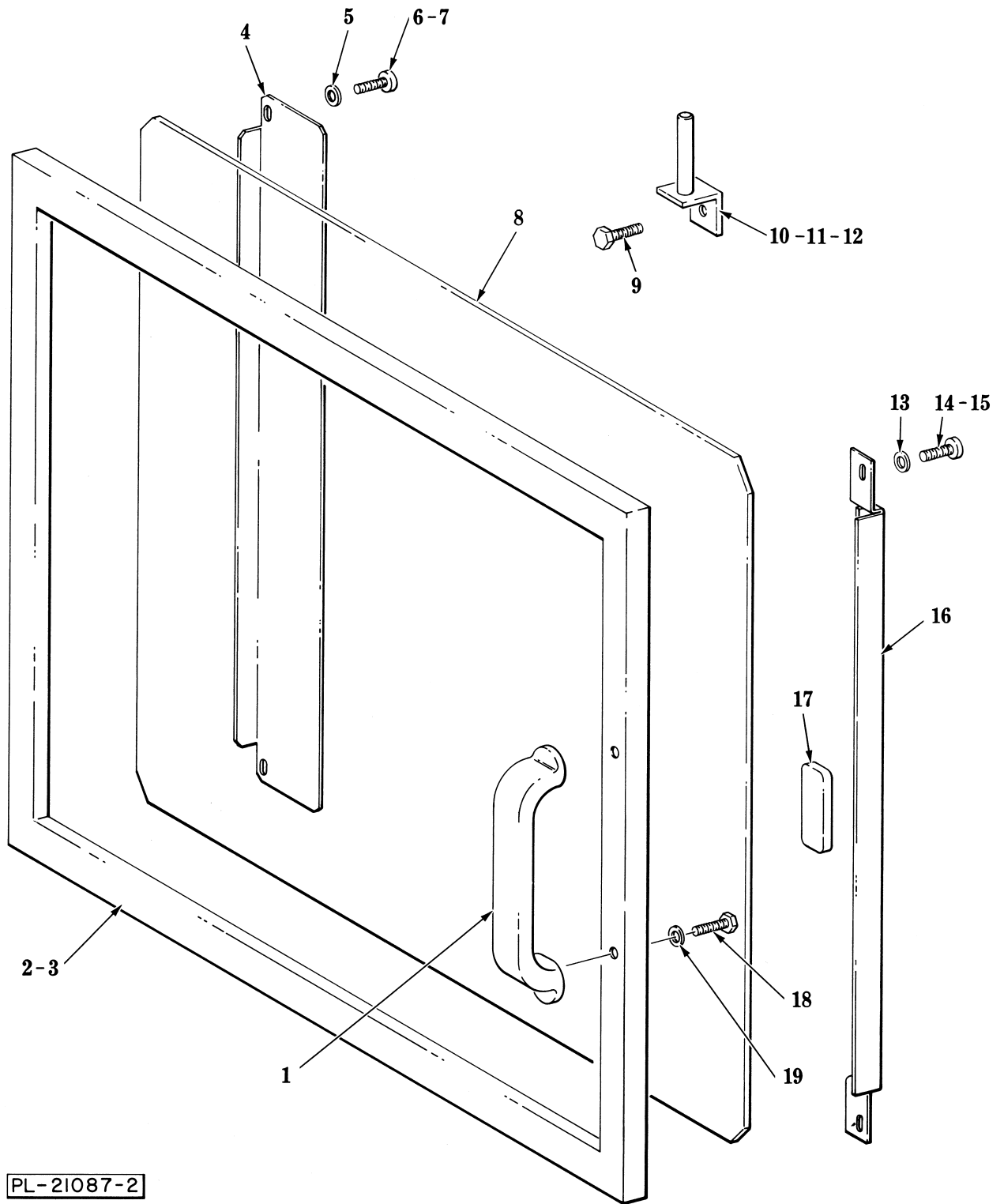
HRO300

**HRO300
HRO300 = HRO500**



**HRO300
WARMER = HRW300**

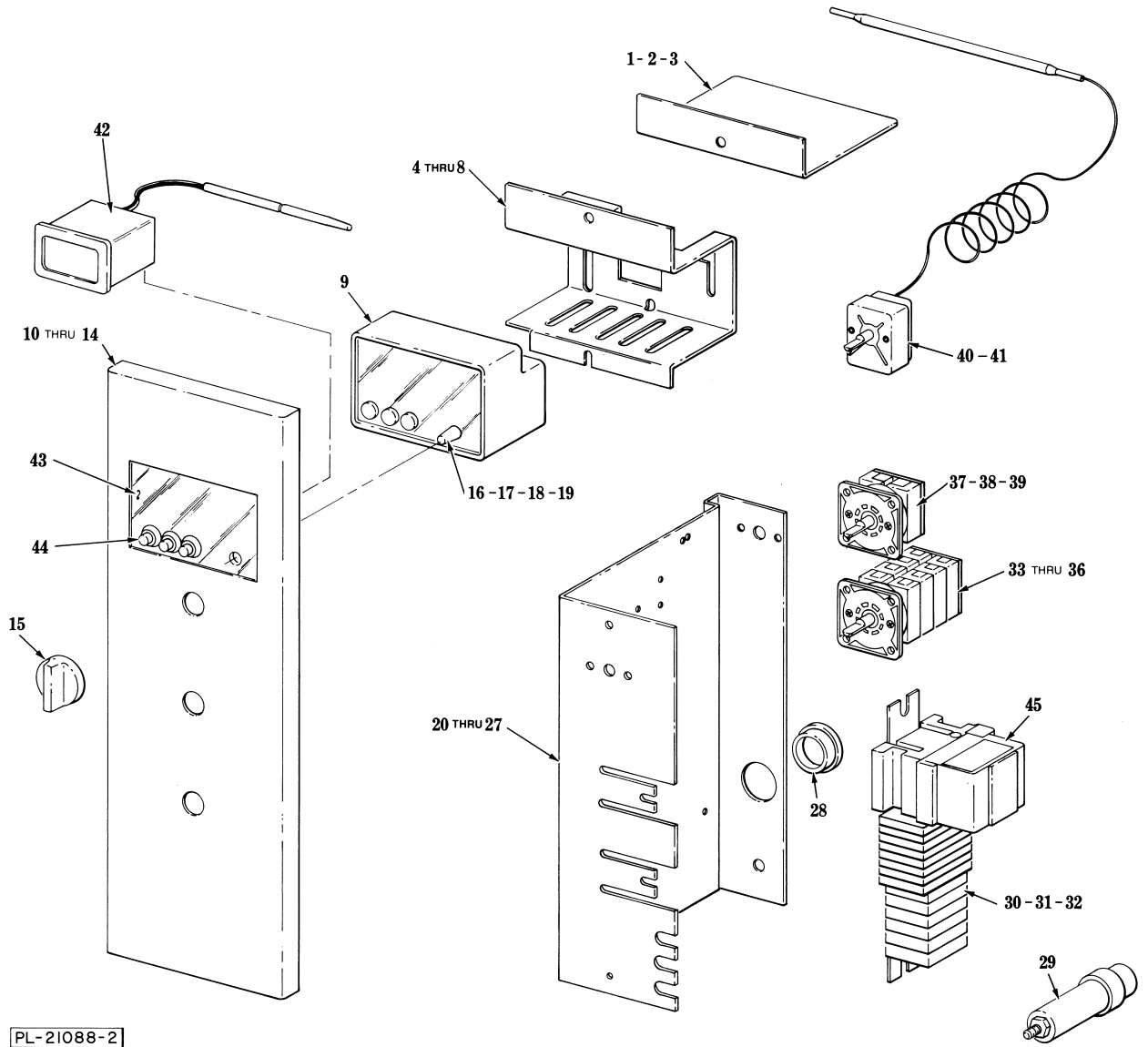
PL-21107-1



DOOR UNIT

DOOR UNIT

ILLUS. PL-21087-2	PART NO.	NAME OF PART ³⁴	AMT.
1	360032	Handle - Door (Operator's Side Only)	1
2	360162	Holder - Glass Door (Customer's Side)	1
3	360163	Holder - Glass Door (Operator's Side)	1
4	360173	Cover - Door Glass Profile	2
5	SL-5-6	Spring - Loading	4
6	SC-120-51	Mach. Screw M4 x 0.7 x 10MM Cheese Hd	4
7	NS-47-13	Nut - Hex M6 x 1.0	4
8	360197	Glass - Door	2
9	SC-120-48	Cap Screw M6 x 1.0 x 18MM Hex Hd	4
10	360135	Hinge - Door	4
11	WL-19-71	Lock Washer M6 Reg	4
12	NS-47-50	Nut - Hex M6 x 1.0	4
13	SL-5-6	Spring - Loading	4
14	SC-120-51	Mach. Screw M4 x 0.7 x 10MM Cheese Hd	4
15	NS-47-13	Nut - Hex M6 x 1.0	4
16	360172	Holder - Magnet	2
17	360128	Magnet - Door	3
18	SC-120-57	Cap Screw M6 x 1.0 x 10MM Hex Hd	2
19	SL-5-8	Spring - Loading	2

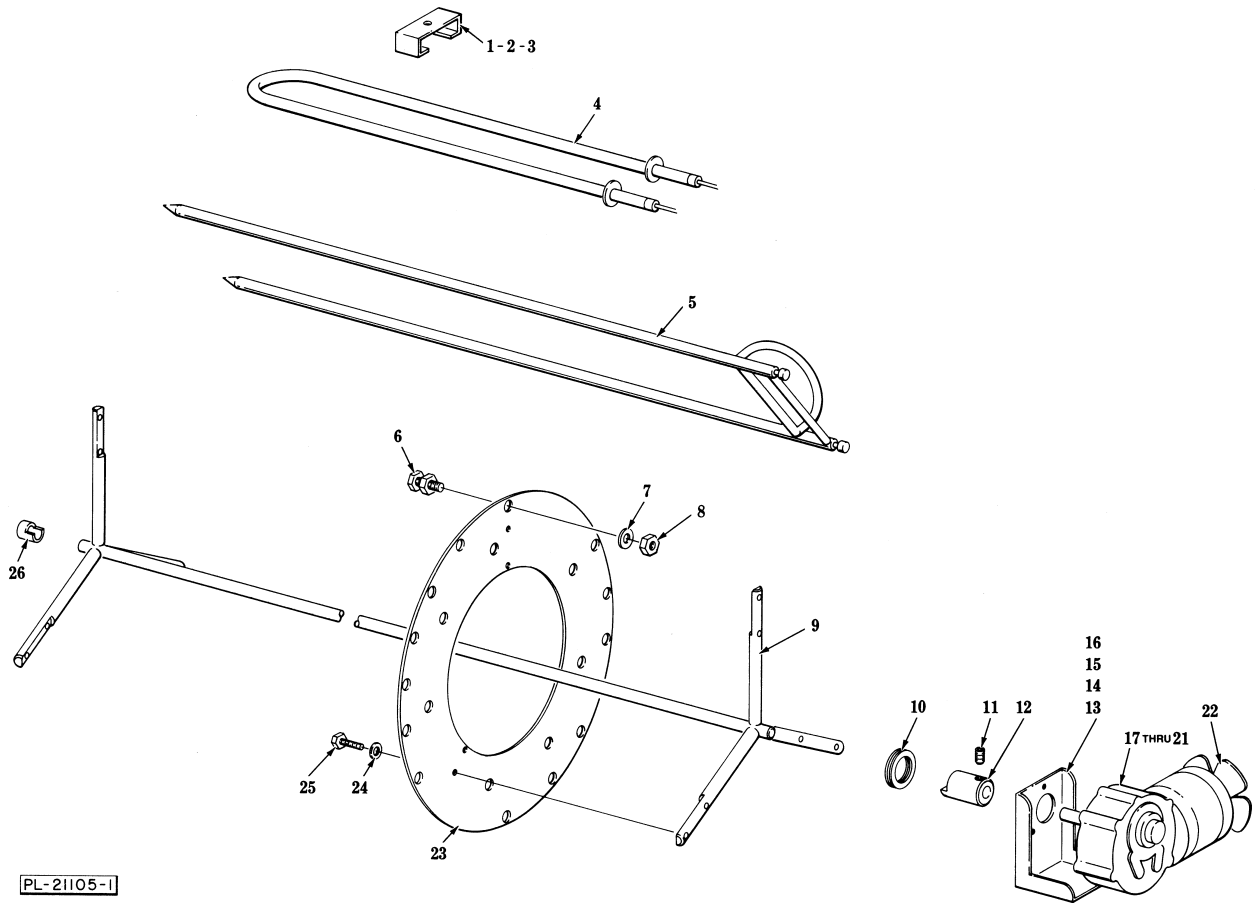


PL-21088-2

CONTROL PANEL UNIT

CONTROL PANEL UNIT

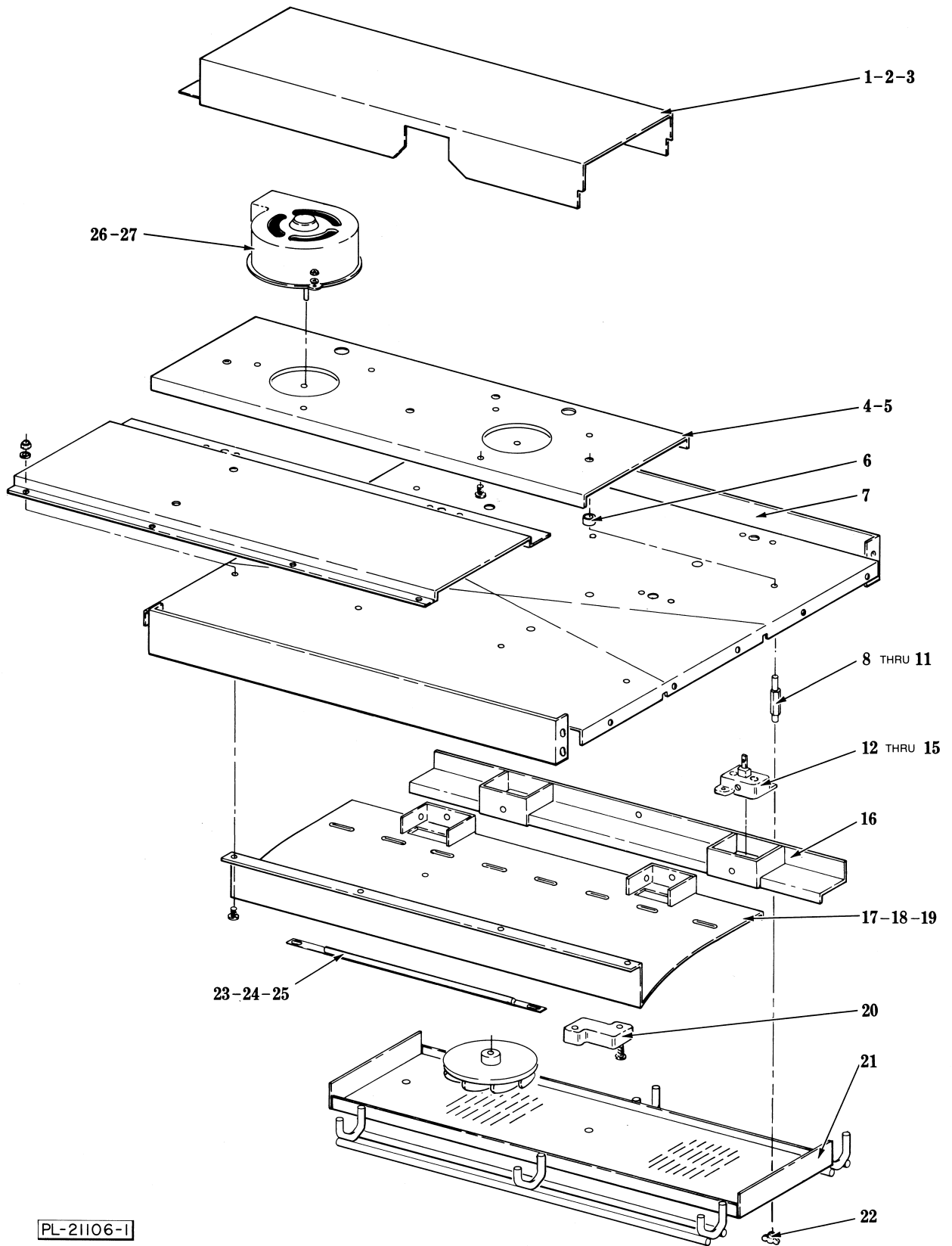
ILLUS. PL-21088-2	PART NO.	NAME OF PART ²³	AMT.
1	360100	Cover - Protection	1
2	WL-19-17	Lock Washer M6 Light	1
3	NS-47-89	Nut - Wing M6 x 1.0	1
4	360125	Plate - Clock Mounting	1
5	SC-120-55	Mach. Screw M4 x 0.7 x 10mm Flat Hd	1
6	WS-19-9	Washer	1
7	WL-19-72	Lock Washer M4 Reg	1
8	NS-47-48	Nut - Hex M4 x 0.7	1
9	360126	Clock - Digital	1
10	360160	Control Panel (HRO300)	1
11	360249	Control Panel (HRO500)	1
12	360215	Control Panel (HRW300)	1
13	WL-19-71	Lock Washer M6 Reg	2
14	NS-47-89	Nut - Wing M6 x 1.0	2
15	360147	Knob - Switch	3
16	360120	Knob - Rotary Clock	1
17	360121	Cover - Rotary Clock Knob	1
18	360140	Shaft - Clock Extension	1
19	SC-120-52	Set Screw M3 x 0.5 x 4.5mm Hdls. Cup Pt	1
20	360119	Panel - Electrical Component	1
21	WS-30-32	Washer	3
22	SD-37-28	Self-Tapping Screw 4.2mm x 13mm Pan Hd., Type AB	3
23	NS-47-50	Nut - Hex M6 x 1.0	3
24	SC-120-55	Mach. Screw M4 x 0.7 x 10mm Flat Hd	2
25	WS-19-9	Washer	2
26	WL-19-72	Lock Washer M4 Reg	2
27	NS-47-48	Nut - Hex M4 x 0.7	2
28	360143	Bushing	1
29	360201	Capacitor	1
30	360150	Terminal Block	1
31	NS-47-50	Nut - Hex M6 x 1.0	2
32	SD-37-28	Self-Tapping Screw 4.2mm x 13mm Pan Hd., Type AB	2
33	360237	Switch - Warmer (HRW300)	1
34	360122	Switch - Main (On/Off)	1
35	SC-120-61	Mach. Screw M4 x 0.7 x 10mm Cheese Hd	4
36	NS-47-48	Nut - Hex M4 x 0.7	4
37	360123	Switch - Relay	1
38	SC-120-61	Mach. Screw M4 x 0.7 x 10mm Cheese Hd	4
39	NS-47-48	Nut - Hex M4 x 0.7	4
40	360145	Thermostat (Oven)	1
41	360034	Thermostat (Warmer)	1
42	360036	Thermometer (Warmer)	1
43	360124	Cover - Display	1
44	360117	Button - Push	3
45	360151	Relay	1
	360144	Spacer - Control Panel	1
	360280	Plate - Ground	1
	SC-120-49	Cap Screw M5 x 0.8 x 20mm Hex Hd (Use W/Ground Plate)	1
	WL-19-69	Lock Washer M5 Ext. Shakeproof (Use W/Ground Plate)	1
	NS-47-49	Nut - Hex M5 x 0.8 (Use W/Ground Plate)	1



ROTISSERIE UNIT

ROTISSERIE UNIT

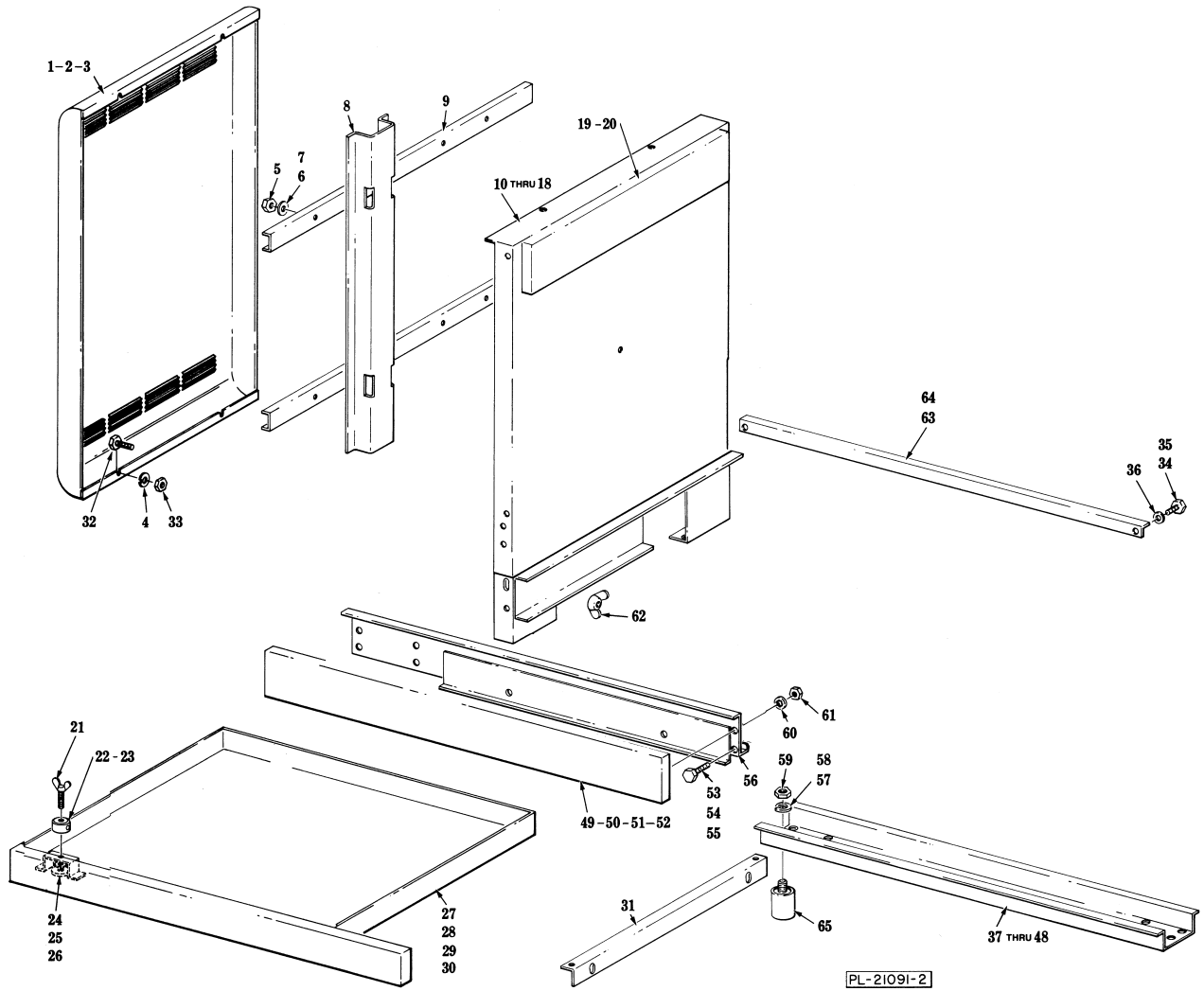
ILLUS. PL-21105-1	PART NO.	NAME OF PART ³⁴	AMT.
1	360112	Bracket - Heating Element	3
2	SL-5-8	Spring - Loading	3
3	NS-47-13	Nut - Hex M6 × 1.0	3
4	360190	Heating Element	3
5	360235	Fork - Meat	7
6	360202	Pin - Support	14
7	SL-5-9	Spring - Loading	14
8	NS-47-36	Nut - Hex M8 × 1.25	14
9	360195	Shaft - Rotor	1
10	360137	Seal - Ring	1
11	SC-117-32	Set Screw M8 × 1.25 × 16mm Hdls., Cup Pt	1
12	360193	Bearing - Drive	1
13	360208	Bracket - Motor Mounting	1
14	SC-120-49	Cap Screw M5 × 0.8 × 20MM Hex Hd	3
15	WL-19-69	Lock Washer M5 Ext. Shakeproof	3
16	NS-47-49	Nut - Hex M5 × 0.8	3
17	360196	Motor - Drive	1
18	SC-120-48	Cap Screw M6 × 1.0 × 18mm Hex Hd	4
19	WS-30-32	Washer	4
20	WL-19-71	Lock Washer M6 Reg	4
21	NS-47-50	Nut - Hex M6 × 1.0	4
22	360248	Fan Blade	1
23	360194	Disc - Rotor	2
24	WS-22-6	Washer	12
25	SC-120-50	Cap Screw M5 × 0.8 × 8mm Hex Hd	12
26	360192	Bearing - Bronze	1



BLOWER UNIT

BLOWER UNIT

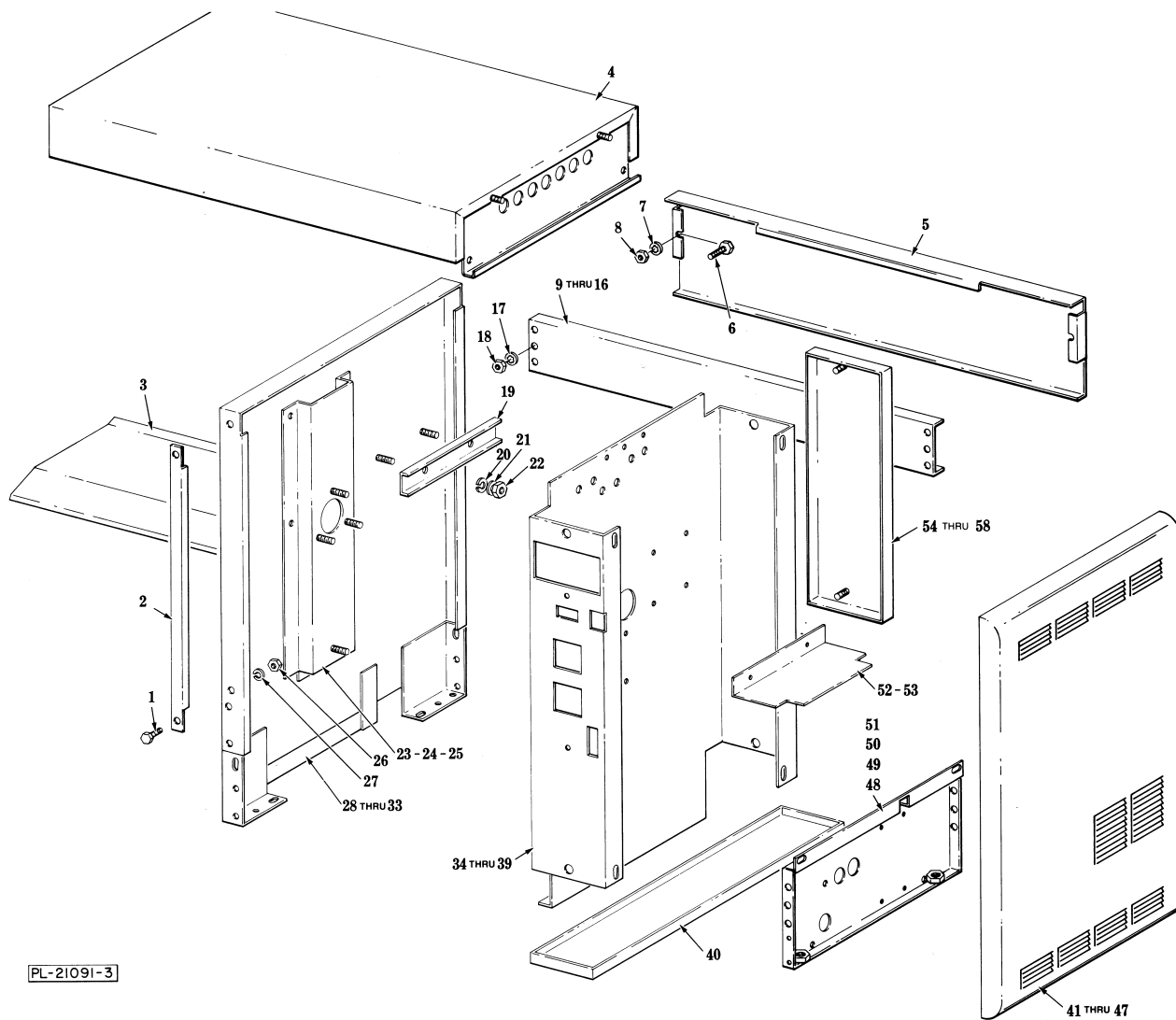
ILLUS. PL-21106-1	PART NO.	NAME OF PART ³⁴	AMT.
1	360204	Guide - Air	1
2	WL-19-71	Lock Washer M6 Reg	1
3	NS-47-50	Nut - M6 x 1.0 Hex	1
4	360165	Plate - Fan Mounting	1
5	360238	Clip - Speed	4
6	360138	Spacer	3
7	360171	Ceiling Assy	1
8	360136	Pin - Fan Guard Spacing	3
9	SL-5-8	Spring - Loading	3
10	WL-19-71	Lock Washer M6 Reg	3
11	NS-47-50	Nut - M6 x 1.0 Hex	3
12	360129	Holder - Quartz Lamp Base	4
13	SC-120-56	Mach. Screw M4 x 0.7 x 20mm Cheese Hd	8
14	WL-19-72	Lock Washer M4 Regular	8
15	NS-47-48	Nut - M4 x 0.7 Hex	8
16	360175	Holder - Lamp Profile	1
17	360179	Guide - Air	1
18	SL-5-8	Spring - Loading	4
19	NS-47-88	Crown Nut M6 x 1.0	4
20	360156	Holder - Quartz Lamp Cap	4
21	360174	Guard - Fan	1
22	NS-47-88	Crown Nut M6 x 1.0	3
23	360155	Lamp - Quartz	2
24	SC-120-50	Cap Screw M5 x 0.8 x 8mm Hex Hd	4
25	WS-22-6	Washer	4
26	360127	Blower (W/Fan Blade)	2
27	SC-120-61	Mach. Screw M4 x 0.7 x 10mm Cheese Hd	6



**OVEN UNIT
(L.H. SIDE)**

OVEN UNIT (L.H. SIDE)

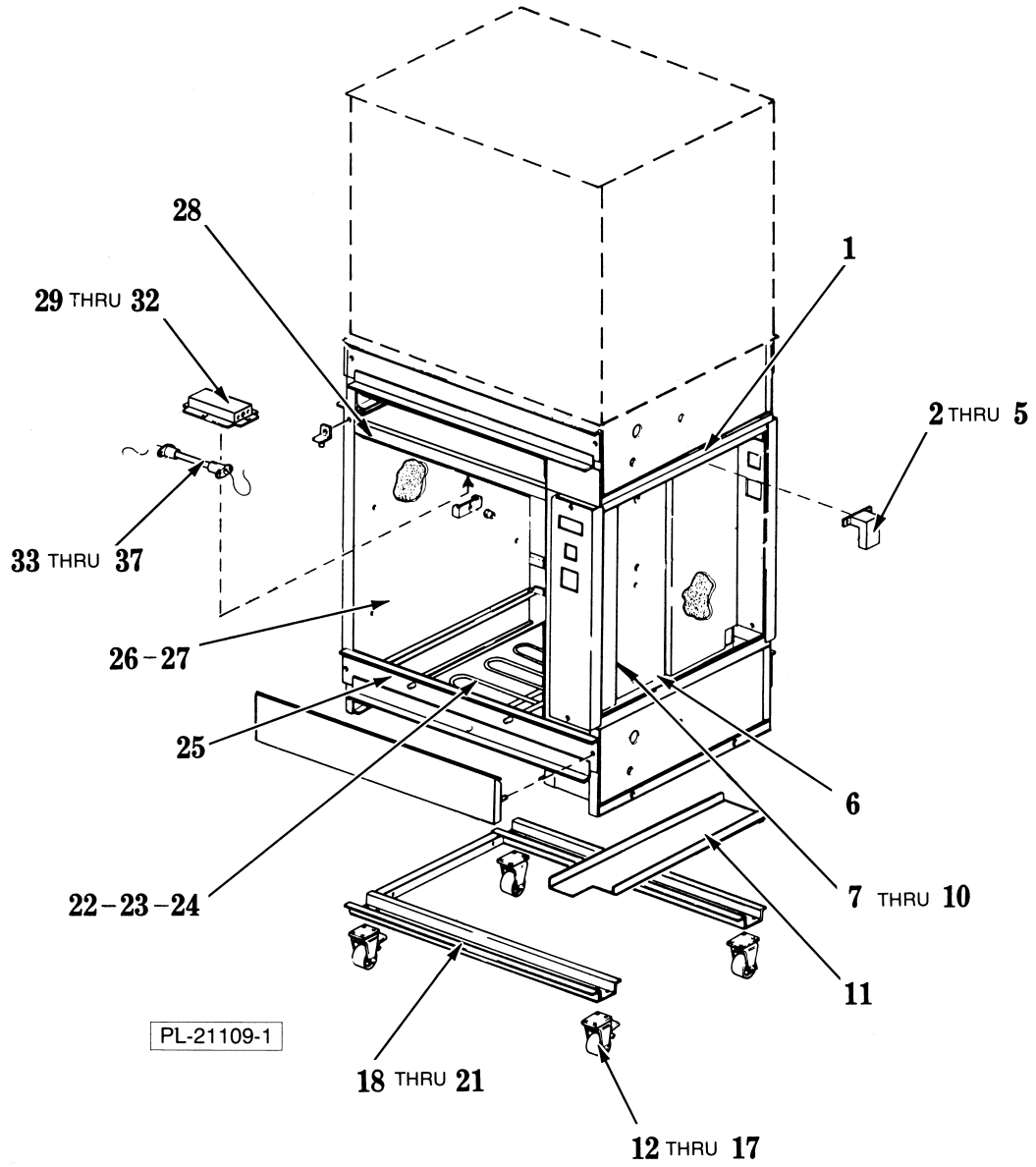
ILLUS. PL-21091-2	PART NO.	NAME OF PART ³⁴	AMT.
1	360170	Panel - Outer (L.H.) (HRO300)	1
2	360222	Panel - Outer (L.H.) (HRW300)	1
3	360223	Panel - Outer (L.H.) (HRO500)	1
4	WL-19-71	Lock Washer M6 Reg	AR
5	NS-47-50	Nut - Hex M6 x 1.0	8
6	WS-30-31	Washer	8
7	WL-19-71	Lock Washer - M6 Reg	8
8	360186	Bearing - Open Reinforcement	1
9	360198	Reinforcement - Profile	1
10	360159	Panel - Inner Oven Side (L.H.)	1
11	SC-120-57	Cap Screw M6 x 1.0 x 10mm Hex Hd	8
12	WL-19-71	Lock Washer - M6 Reg	8
13	NS-47-50	Nut - Hex M6 x 1.0	8
14	SC-120-48	Cap Screw M6 x 1.0 x 18mm Hex Hd	1
15	WS-30-32	Washer	1
16	WS-30-33	Washer	1
17	WL-19-71	Lock Washer - M6 Reg	1
18	NS-47-50	Nut - Hex M6 x 1.0	1
19	360178	Reinforcement - Inner Oven Side Panel (L.H.)	1
20	SD-37-28	Self-Tapping Screw 4.2mm x 13mm Pan Hd., Type AB	8
21	360207	Screw - Wing	1
22	SC-120-58	Set Screw M5 x 0.8 x 10mm Hdls. Cup Pt	1
23	360205	Gasket Seat	1
24	WS-30-34	Washer	1
25	360206	Gasket - Drain	1
26	SC-120-62	Cap Screw M8 x 1.25 x 12mm Hex Hd	1
27	360221	Drawer - Water (Warmer)	1
28	360236	Drawer - Water (HRO300) (Lower HRO500)	1
29	360251	Upper Drawer (HRO500)	1
30	360210	Upper Water Drawer (HRW300)	1
31	360183	Bracket - Outside Panel Mounting	1
32	SC-118-44	Cap Screw M6 x 1.0 x 40mm Hex Hd	AR
33	NS-47-50	Nut - Hex M6 x 1.0	AR
34	NS-47-50	Nut - Hex M6 x 1.0 (Used to mount items 63 & 64) (HRO500)	4
35	SC-120-57	Cap Screw M6 x 1.0 x 10mm Hex Hd (Used to mount items 63 & 64) (HRO500)	4
36	WL-19-71	Lock Washer M6 Reg. (Used to mount items 63 & 64) (HRO500)	4
37	360182	Reinforcement - Bottom (HRO300)	2
38	SC-120-57	Cap Screw M6 x 1.0 x 10mm Hex Hd (Used to mount item 37) (HRO300)	8
39	WS-30-32	Washer (Used to mount item 37) (HRO300)	4
40	WL-19-71	Lock Washer - M6 Reg. (Used to mount item 37) (HRO300)	8
41	NS-47-50	Nut - Hex M6 x 1.0 (Used to mount item 37) (HRO300)	8
42	360224	Reinforcement - Bottom (HRO500)	2
43	SC-120-57	Cap Screw M6 x 1.0 x 10mm Hex Hd. (Used to mount item 42) (HRO500)	8
44	SC-120-60	Cap Screw M6 x 1.0 x 20mm Hex Hd. (Used to mount item 42) (HRO500)	8
45	SC-120-48	Cap Screw M6 x 1.0 x 18mm Hex Hd. (Used to mount item 42) (HRO500)	2
46	WS-30-32	Washer (Used to mount item 42) (HRO500)	8
47	WL-19-71	Lock Washer - M6 Reg. (Used to mount item 42) (HRO500)	18
48	NS-47-50	Nut - Hex M6 x 1.0 (Used to mount item 42) (HRO500)	18
49	360168	Panel - Lower Front (Operator's Side)	1
50	SC-120-49	Cap Screw M5 x 0.8 x 20mm Hex Hd	2
51	NS-47-49	Nut - Hex M5 x 0.8	2
52	WL-19-69	Lock Washer M5 Ext. Shakeproof	2
53	SC-120-57	Cap Screw M6 x 1.0 x 10mm Hex Hd	4
54	WL-19-71	Lock Washer M6 Reg	4
55	NS-47-50	Nut - Hex M6 x 1.0	4
56	360181	Reinforcement - Operator's Side	1
57	WL-19-70	Lock Washer M8 Reg	4
58	WS-30-31	Washer	4
59	NS-47-36	Nut - Hex M8 x 1.25	4
60	WL-19-69	Lock Washer M5 Ext. Shakeproof	2
61	NS-47-49	Nut - Hex M5 x 0.8	2
62	NS-47-89	Wing Nut M6	2
63	360253	Support - Profile (HRO500)	1
64	360234	Support - Profile Joint (HRO500) (Warmer)	1
65	360037	Foot (HRO300)	4
	360220	Tray Drawer Assy. (Warmer)	1
	360233	Stop Drawer (Used on tray drawer assy.)	1



**OVEN UNIT
(R.H. SIDE)**

OVEN UNIT (R.H. SIDE)

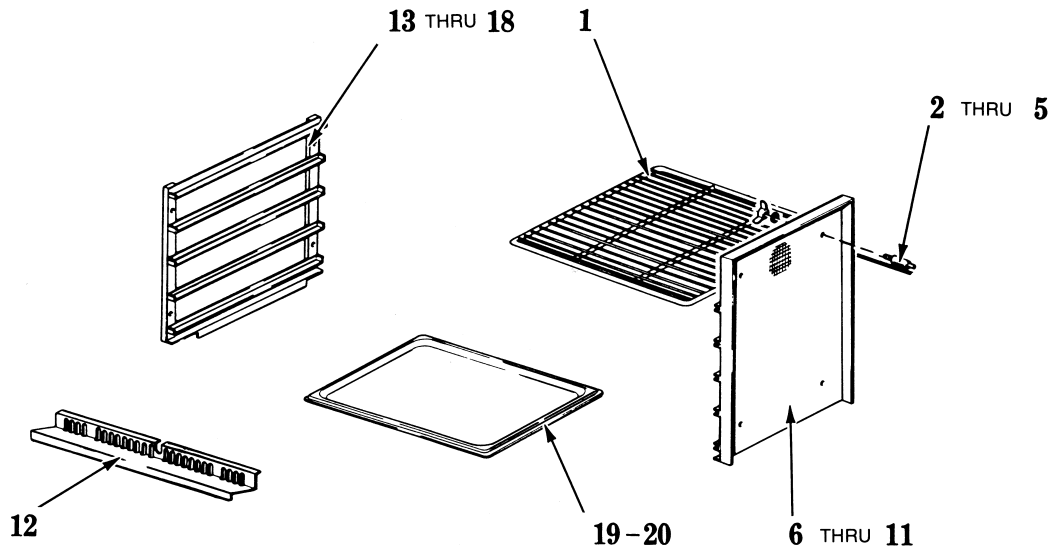
ILLUS. PL-21091-3	PART NO.	NAME OF PART ³⁴	AMT.
1	SC-120-57	Cap Screw M6 × 1.0 × 10mm Hex Hd	8
2	360188	Strip Magnet Activator	1
3	360176	Plate - Bottom	2
4	360157	Top Assy	1
5	360167	Panel - Lower Front (Customer's Side)	1
6	SC-120-49	Cap Screw M5 × 0.8 × 20mm Hex Hd	2
7	WL-19-69	Lock Washer M5 Ext. Shakeproof	2
8	NS-47-49	Nut - Hex M5 × 0.8	2
9	360180	Reinforcement (Customer's Side)	1
10	SC-120-57	Cap Screw M6 × 1.0 × 10mm Hex Hd	2
11	SC-120-48	Cap Screw M6 × 1.0 × 18mm Hex Hd	2
12	WS-30-32	Washer	2
13	WL-19-71	Lock Washer - M6 Reg	5
14	NS-47-50	Nut - Hex M6 × 1.0	5
15	WS-30-32	Washer	1
16	WS-30-33	Washer	1
17	WL-19-69	Lock Washer M5 Ext. Shakeproof	2
18	NS-47-49	Nut - Hex M5 × 0.8	2
19	360185	Reinforcement - Profile	1
20	WL-19-71	Lock Washer - M6 Reg	8
21	WS-30-31	Washer	8
22	NS-47-50	Nut - Hex M6 × 1.0	8
23	360166	Plate - Motor Mounting	1
24	WL-19-71	Lock Washer - M6 Reg	2
25	NS-47-50	Nut - Hex M6 × 1.0	2
26	NS-47-50	Nut - Hex M6 × 1.0	8
27	WL-19-71	Lock Washer M6 Reg	8
28	360158	Panel - Inner Oven Side (R.H.)	1
29	SC-118-44	Cap Screw M6 × 1.0 × 40mm Hex Hd	5
30	WS-30-32	Washer	9
31	WL-19-71	Lock Washer - M6 Reg	9
32	NS-47-50	Nut - Hex M6 × 1.0	24
33	SC-120-57	Cap Screw M6 × 1.0 × 10mm Hex Hd	4
34	360187	Plate - Mounting	1
35	SC-120-48	Cap Screw M6 × 1.0 × 18mm Hex Hd	2
36	SC-120-57	Cap Screw M6 × 1.0 × 10mm Hex Hd	2
37	WS-30-32	Washer	2
38	WL-19-71	Lock Washer M6 Reg	4
39	NS-47-50	Nut - Hex M6 × 1.0	4
40	360191	Tray - Spray (HRO300/500)	1
41	360169	Panel - Outer (R.H.) (HRO300)	1
42	360252	Panel - Outer (R.H.) (HRO500) (HRW300)	1
43	SC-118-44	Cap Screw M6 × 1.0 × 40mm Hex Hd	AR
44	WL-19-71	Lock Washer M6 Reg	AR
45	NS-47-88	Crown Nut - M6 × 1.0	AR
46	NS-47-89	Wing Nut M6	AR
47	NS-47-50	Nut - Hex M6 × 1.0	AR
48	360184	Plate - Bottom Mounting	1
49	SC-120-48	Cap Screw M6 × 1.0 × 18mm Hex Hd	4
50	WL-19-71	Lock Washer - M6 Reg	4
51	NS-47-50	Nut - Hex M6 × 1.0	4
52	360164	Plate - Baffle	2
53	SD-37-28	Self-Tapping Screw 4.2mm × 13mm Pan Hd	4
54	360161	Panel (Customer's Side) (HRO300)	1
55	360250	Panel (Customer's Side) (HRO500)	1
56	360214	Panel (Customer's Side) (HRW300)	1
57	WL-19-71	Lock Washer - M6 Reg	2
58	NS-47-89	Wing Nut - M6	2
	360209	Clip - Insulation	AR
	360282	Plate - Warning	1
	SL-5-6	Spring - Loading (Mounts Warning Plate)	2
	NS-47-49	Nut - Hex M5 × 0.8 (Mounts Warning Plate)	2



**FRAME AND CAVITY
(WARMER)**

FRAME AND CAVITY (WARMER)

ILLUS. PL-21109-1	PART NO.	NAME OF PART ³⁴	AMT.
1	360228	Plate - Mounting	1
2	360229	Guide - Air Warmer	1
3	SC-120-50	Cap Screw M5 x 0.8 x 8mm Hex Hd	2
4	WL-19-69	Lock Washer M5 Ext. Shakeproof	2
5	NS-47-49	Nut - M5 x 0.8 Reg	2
6	360230	Plate - Fan Mtg	1
7	360227	Plate - Mtg. (R.H.)	1
8	360217	Reinforcement - Lower Customer Side	1
9	SL-5-6	Spring - Loading	2
10	NS-47-49	Nut - M5 x 0.8 Hex	2
11	360231	Tray - Spark	1
12	360245	Caster W/O Lock (HRO500) (Warmer)	2
13	360244	Caster W/Lock (HRO500) (Warmer)	2
14	SC-119-10	Cap Screw M6 x 1.0 x 30mm Hex Hd	16
15	WS-30-31	Washer	16
16	WL-19-70	Lock Washer M8 Reg	16
17	NS-47-50	Nut - M6 x 1.0 Hex	16
18	360224	Reinforcement - Bottom	2
19	SC-120-59	Cap Screw M8 x 1.25 x 20mm Hex Hd	16
20	WS-30-31	Washer	16
21	WL-19-70	Lock Washer M8 Reg	16
22	360241	Element - Heater	2
23	360066	Gasket	4
24	NS-47-87	Nut M14 x 1.5 Hex	4
25	360216	Reinforcement - Lower Operator's Side	1
26	360212	Inner Warmer Side Assy. (R.H.)	1
27	360295	Inner Warmer Side Assy. (L.H.)	1
28	360225	Ceiling - Inner Warmer	1
29	360232	Lamp - Reflector (Halogen)	2
30	SC-120-57	Cap Screw M6 x 1.0 x 10mm Hex Hd	12
31	WL-19-71	Lock Washer M6 Reg	12
32	NS-47-50	Nut - M6 x 1.0 Hex	12
33	360240	Holder - Halogen Lamp	4
34	360239	Lamp - Halogen	2
35	SC-120-39	Mach. Screw M3 x 0.5 x 10mm Fil. Hd	8
36	SL-5-5	Spring - Loading	8
37	NS-47-47	Nut - M3 x 0.5 Hex	8

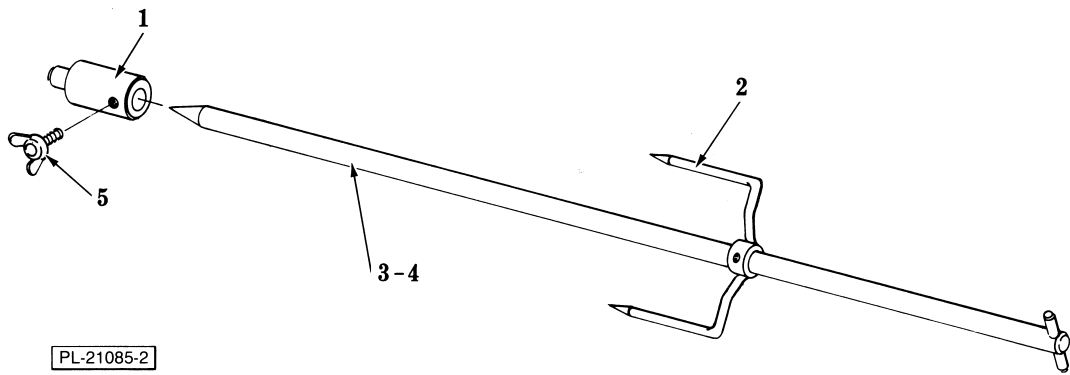


PL-21108-1

**TRAYS AND SHELVES
(WARMER)**

**TRAYS AND SHELVES
(WARMER)**

ILLUS. PL-21108-1	PART NO.	NAME OF PART ³⁴	AMT.
1	360243	Rack - Stainless Steel Wire	3
2	360136	Pin - Fan Guard Spacing	4
3	NS-47-89	Wing Nut -M6 × 1.0	4
4	WL-19-71	Lock Washer M6 Reg	4
5	WS-30-32	Washer	4
6	360219	Fan Cover Warmer Asy	1
7	SC-120-48	Cap Screw M6 × 1.0 × 18mm Hex Hd	4
8	SL-5-8	Spring - Loading	8
9	WS-30-32	Washer	4
10	NS-47-88	Nut - M6 × 1.0 Crown	4
11	NS-47-13	Nut - M6 × 1.0 Hex	4
12	360226	Plate - Air Guide	2
13	360218	Rack - Slide Assy	1
14	SC-120-48	Cap Screw M6 × 1.0 × 18mm Hex Hd	4
15	SL-5-8	Spring - Loading	8
16	WS-30-32	Washer	4
17	NS-47-88	Nut - M6 × 1.0 Crown	4
18	NS-47-13	Nut - M6 × 1.0 Hex	4
19	360242	Tray - Gastronome	1
20	360296	Rod - Support	3



ACCESSORIES

ILLUS. PL-21085-2	PART NO.	NAME OF PART ³⁴	AMT.
1	360386	Sleeve - Spit	1
2	360387	Fork - Spit	AR
3	360388	Shaft - Spit	1
4	360247	Spit - Turkey Assy. (Incls. items 1, 2, 3 & 5)	1
5	360297	Screw - Wing M5	AR
	360154	Basket	1
	360284	Key - Spit	1
	360189	Rack - Chicken	1