



CATALOG OF

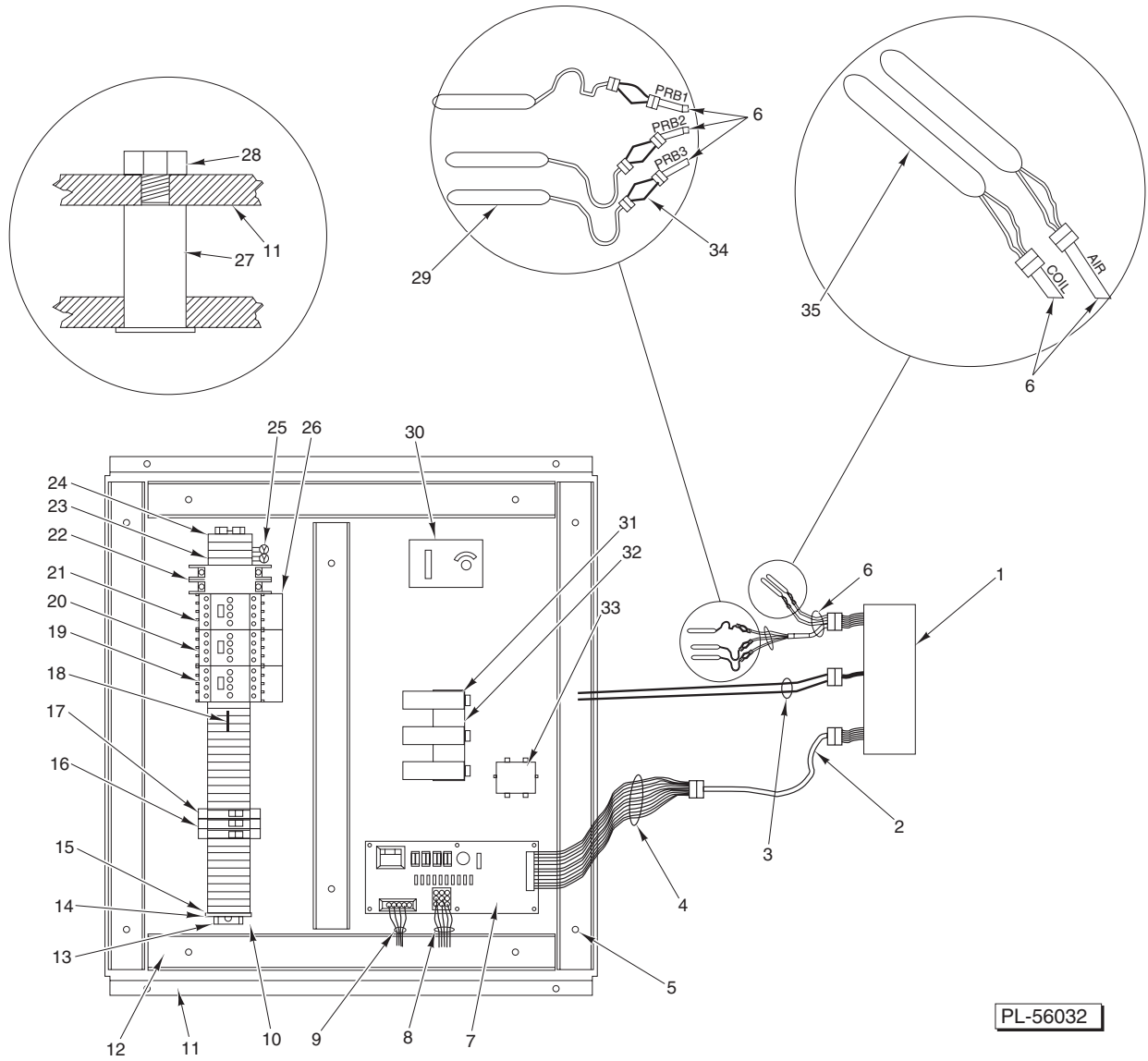
REPLACEMENT PARTS

HQC QUICKCHILLS



HQC135
HQC200

ML-124045
ML-124046



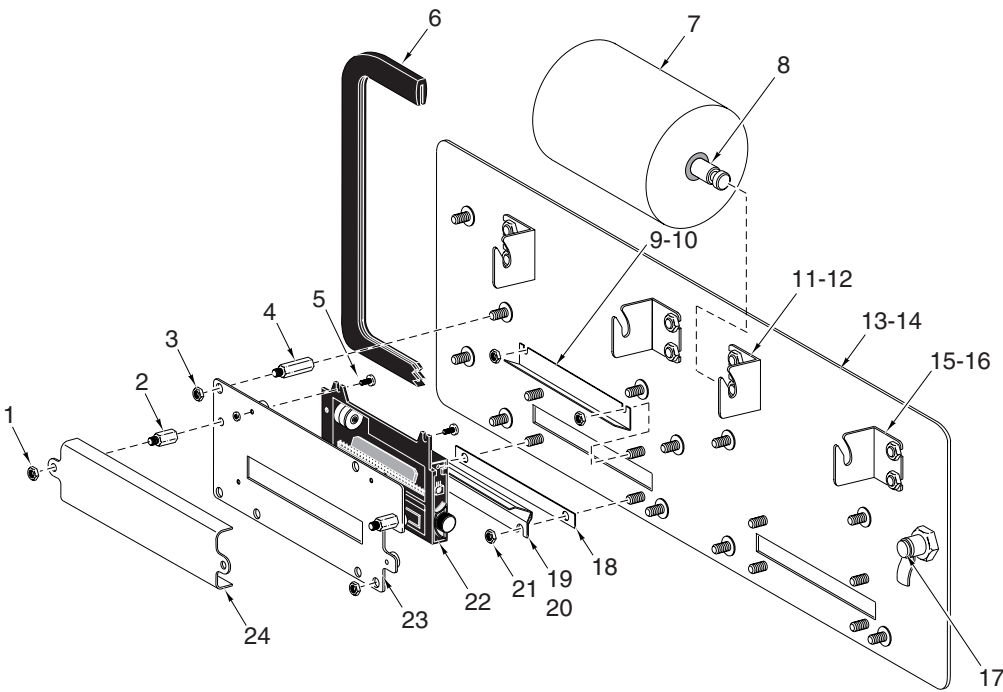
PL-56032

ELECTRICAL SECTION ASSEMBLY

ELECTRICAL SECTION ASSEMBLY

ILLUS. PL-56032	PART NO.	NAME OF PART	AMT.
1	00-630143-00056	Control Box Assy.	1
2	01-010415	Short Control Cable	1
3	00-630143-00057	Door Switch Cable (Connects Into TB)	1
4	01-010447	Control Cable – High Voltage Board	1
5	00-630161-00058	Screw 8-18 x 1/2 Sq. Hd. (Zinc)	22
6	01-010411	Short Probe Cable	1
7	01-010445	High Voltage Board	1
8	01-010449	Output Cable – High Voltage Board	1
9	01-010448	Input Cable – High Voltage Board	1
10	00-889075	Wiring Diagram	1
11	00-889028-00003	Electric Section Mounting Plate	1
12	00-630142-00040	Plastic Track and Cover	1
13	01-010250	Mounting Rail	1
14	00-630141-00072	End – Stop	1
15	00-630141-00070	End – Section	2
16	01-010436	Secondary Breaker for Electronic Board	2
17	00-630183-00008	Secondary Breaker	1
18	00-630141-00076	Bar – Jumper (10 Pole)	9
19	00-630141-00013	Contactor (9 Amp.)	1
20	01-010500	Defrost Contactor	1
21	00-630141-00012	Contactor (12 Amp.)	1
22	01-010431	Main breaker	1
23	00-630141-00069	Connector	20
24	00-630142-00001	Connector	4
25	00-630183-00002	Varistor	2
26	00-630141-00073	Block – Terminal	3
27	01-008043	Trick Nut 8-32	6
28	01-012585	Cap Screw 8-32 x 1/2 Phil. Rd. Hd. (SST)	6
29	00-630182-00098	Food Probe 36 Lg.	3
30	01-014622	Safety Thermostat	1
31	00-811201	Capacitor	3
32	00-889028-00002	Capacitors Bracket	1
33	00-630143-00059	Line Filter	1
34	00-630182-00097	Probe Female Connector	3
35	00-630182-00099	Coil and Air Probe	2
	01-010447	Cable – Internal Control Signal	1
	01-010445	Board – High Voltage	1
	01-010449	Cable – Output Power Internal	1
	01-010448	Cable – Input Power Internal	1
	00-630161-00058	Screw 8-18 x 1/2 Sq. Hd. (Zinc)	1
	00-630143-00058	Probe – Long Cable	1
	00-630183-00004	Breaker – Fans	1
	00-630183-00003	Breaker – Compressor	1
	00-434336	Cable – Product Probe	1
	00-434337	Cable – Air/Coil Probe	1
	00-434338	Cable – Input/Output	1
	00-434339	Cable – Control Power	1
	00-434340	Harness – Printer Power	1
	00-434341	Cable – Input/Output Power	1
	00-434342	Cable – RS232	1
	00-434366	Cable – Fan Door	1
	00-434367	Cable – Front Door	1
	00-434359-00001	Power Supply	1
	00-434359-00002	Power Supply	1
	00-434319	Board – Input/Output Assy.	1

REF. DWG. 434377 & 434380 thru 82

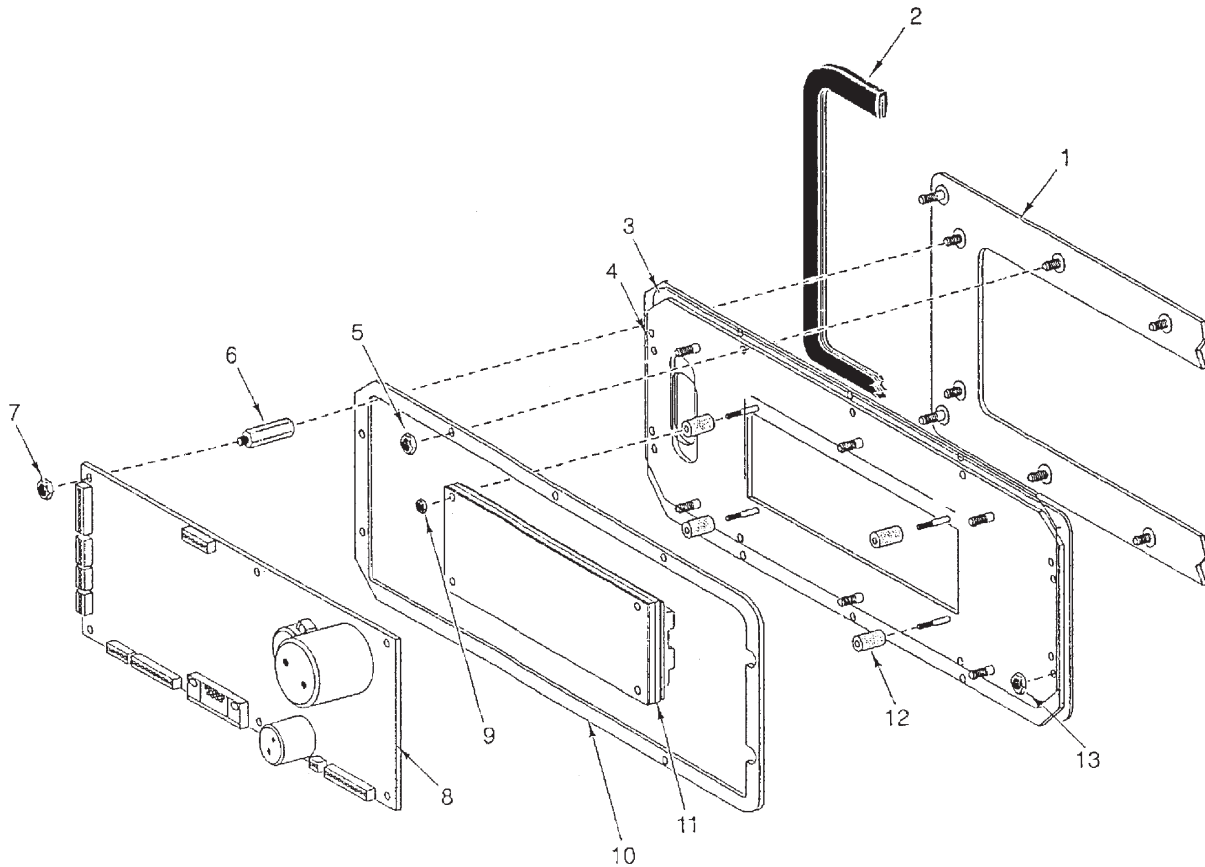


PL-55527

**PRINTER PANEL UNIT
(DOUBLE PRINTER SHOWN)**

**PRINTER PANEL UNIT
(DOUBLE PRINTER SHOWN)**

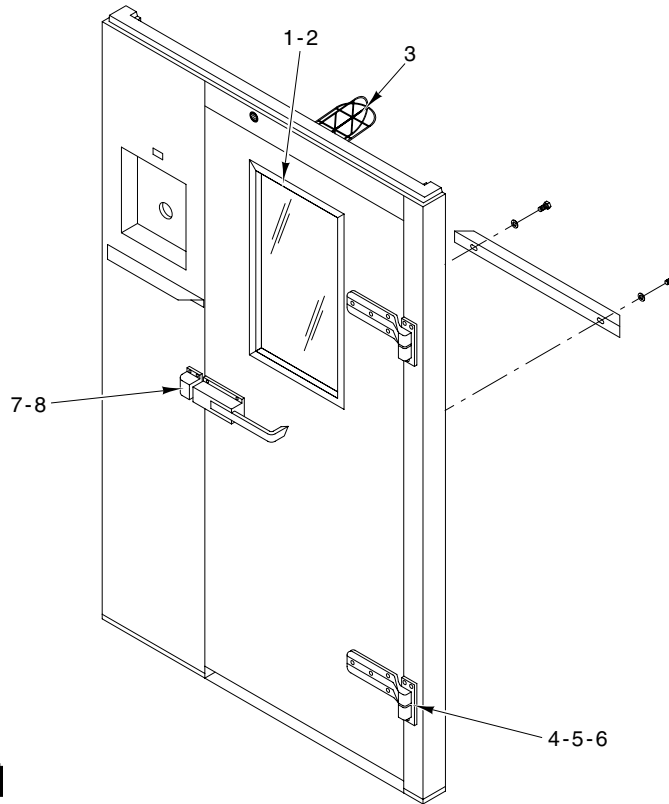
ILLUS. PL-55527	PART NO.	NAME OF PART	AMT.
1	NS-031-50	Nut 6-32 Hex Special	2
2	00-434422-00001	Standoff – 1/4 Hex (6-32 x 5/8) (Male/Female)	4
3	NS-031-50	Nut 6-32 Hex Special	12
4	00-434422-00003	Standoff – 1/4 Hex (6-32 x 1 1/2) (Male/Female)	8
5	SC-128-19	Machine Screw 2-56 x 1/4 Phil. Pan Hd.	2
6	00-434485	Molding – Panel Edge	1
7	00-434409	X-Roll	2
8	00-434401-00002	Spool – Printer Paper	2
9	00-434396	Guide – Paper Feed (Upper)	2
10	NS-031-50	Nut 6-32 Hex Special	2
11	00-434400-00001	Retainer – Paper Roll (LH)	2
12	NS-031-50	Nut 6-32 Hex Special	4
13	00-434391	Stud Panel – Dual Printer	1
14	00-434399	Stud Panel – Single Printer (Not Shown)	1
15	00-434400-00002	Retainer – Paper Roll (RH)	2
16	NS-031-50	Nut 6-32 Hex Special	4
17	00-434492	Fastener – Captive Snap-In Knob	1
18	00-434393	Spacer – Tearbar (Use on Paper Printer Side Only)	2
19	00-434420	Guide & Tearbar Assy. (Use on Paper Printer Side Only)	1
20	00-434392	Guide – Paper Feed (Lower) (Use on Label Printer Side Only)	1
21	NS-031-50	Nut 6-32 Hex Special	2
22	00-434361	Printer – Thermal (Serial)	2
23	00-434395	Stud Bracket – Printer	2
24	00-434402	Guide – Printer (Paper)	1



PL-55526

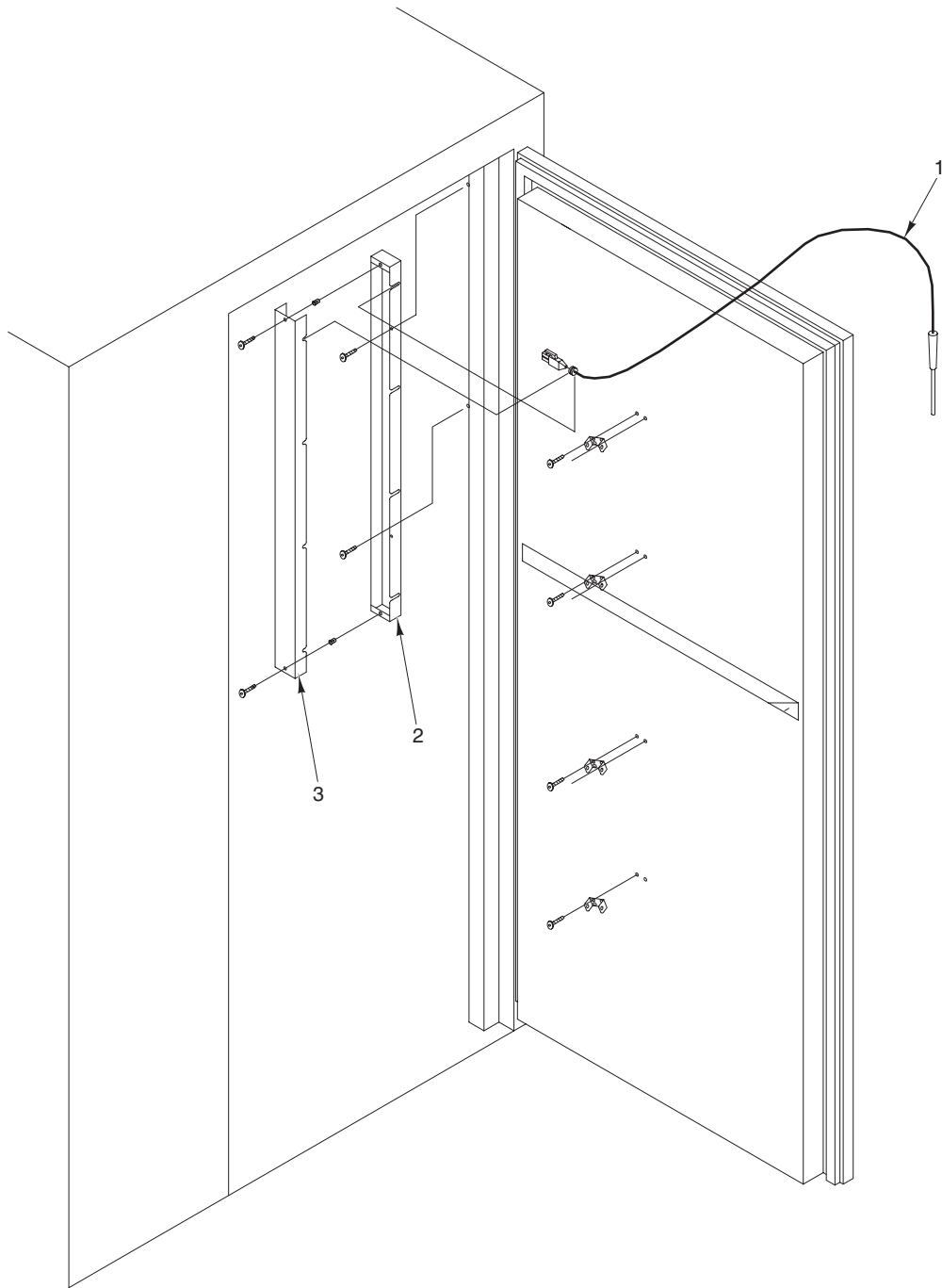
CONTROL PANEL UNIT

ILLUS.	PART NO.	NAME OF PART	AMT.
1	00-434487	Trim – Control Panel	2
2	00-434485	Molding – Panel Edge	1
3	00-434333	Switch – Membrane Keypad	1
4	00-434386	Retainer – Membrane Weldment	1
5	NS-031-50	Nut 6-32 Hex Special	6
6	00-434422-00002	Standoff 6-32 x 7/8 (1/4 In. Hex) (SST)	6
7	NS-031-50	Nut 6-32 Hex Special	6
8	00-434313	Board – Control Assy.	1
9	00-434460	Nut – Nylon 2-56 Hex	4
10	00-434384	Spacer – Membrane Switch	1
11	00-434317	Display – VFD (Serial)	1
12	00-434316	Spacer – Nylon	4
13	NS-047-81	Nut 6-32 Hex	2



DOOR ASSEMBLY

ILLUS.	PART NO.	NAME OF PART	AMT.
PL-55528			
1	00-630153-00066	Window – Heated Viewing	1
2	01-038800	Window – Glass 13 x 20	1
3	01-031408	Light – Vapor Proof Fixture	1
4	00-630152-00017	Hinge – Door	1
5	00-630152-00018	Cam – Hinge (Male)	1
6	00-630152-00019	Cam – Hinge (Female)	1
7	00-630153-00044	Handle – Flush	1
8	00-630153-00045	Handle – Strike	1
	00-630153-00047	Gasket – Magnetic (Door)	1
	00-630182-00086	Switch – Door	1
	01-031417	Molding – Heater Cover (SST)	1
	00-630183	Switch – Main	1
	00-630174-00057	Ramp – External	1
	00-630181-00008	Heater	1
	00-630174-00017	Bumper – Door	1
	00-630174-00018	Bumper – End	1
	00-630174-00019	Bumper – Left	1
	00-630153-00046	Handle – Release (Inside)	1
	00-630154-00061	Lock – Door (KHC 604)	1
	00-630154-00060	Key – Door	1

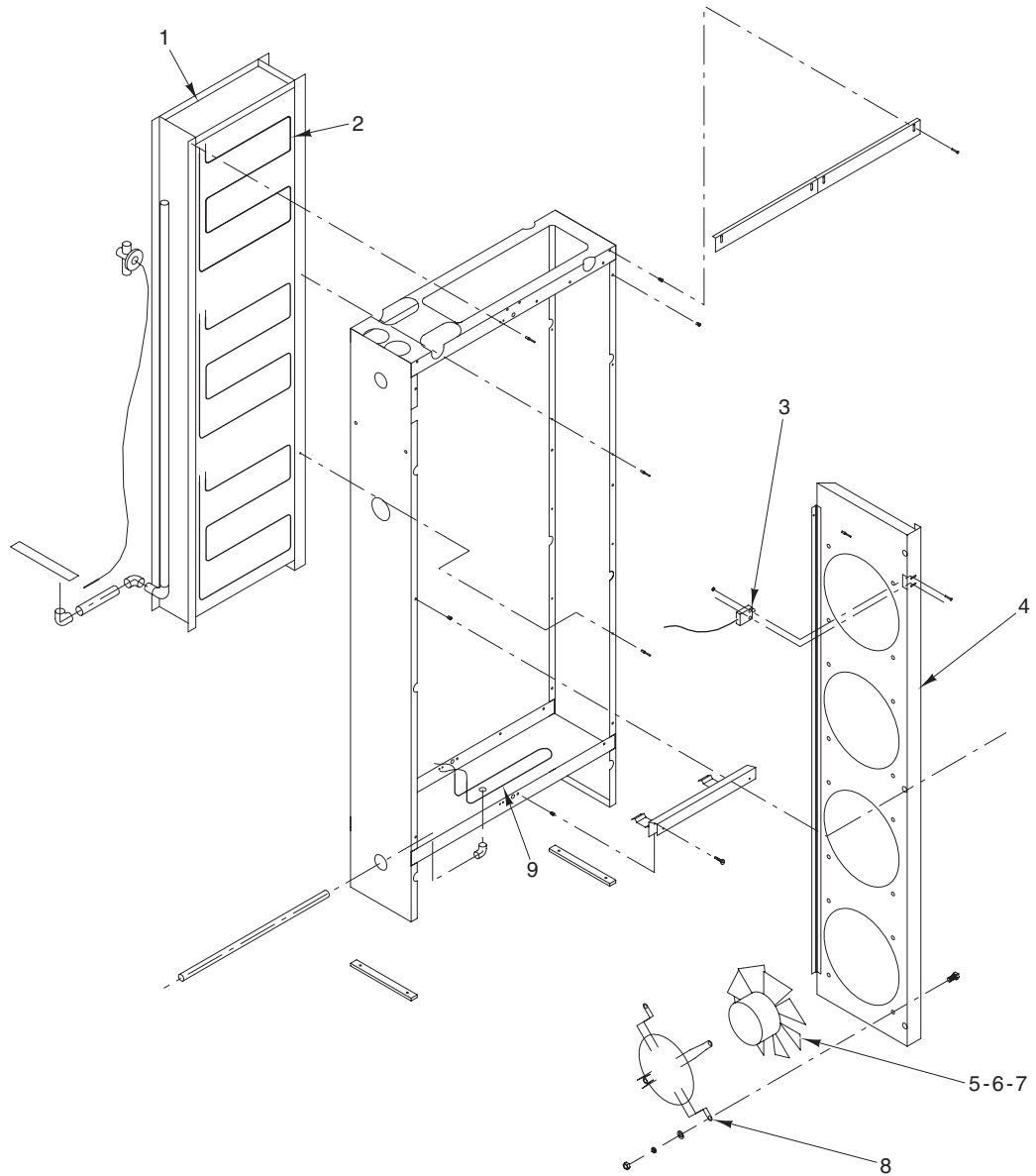


PL-55529

FOOD PROBE ASSEMBLY

FOOD PROBE ASSEMBLY

ILLUS.	PART NO.	NAME OF PART	AMT.
PL-55529			
1	00-434330-00002	Probe – Food	1
2	00-889106-00006	Bracket – Probe Base	1
3	00-114824-00001	Bracket – Probe Cover	1
	00-889008-00003	Holder – Probe	1
	00-889106-00007	Cover – Probe	1
	00-434332	Connector – Probe	1
	00-889106-00097	Kit – Food Probe Replacement	1

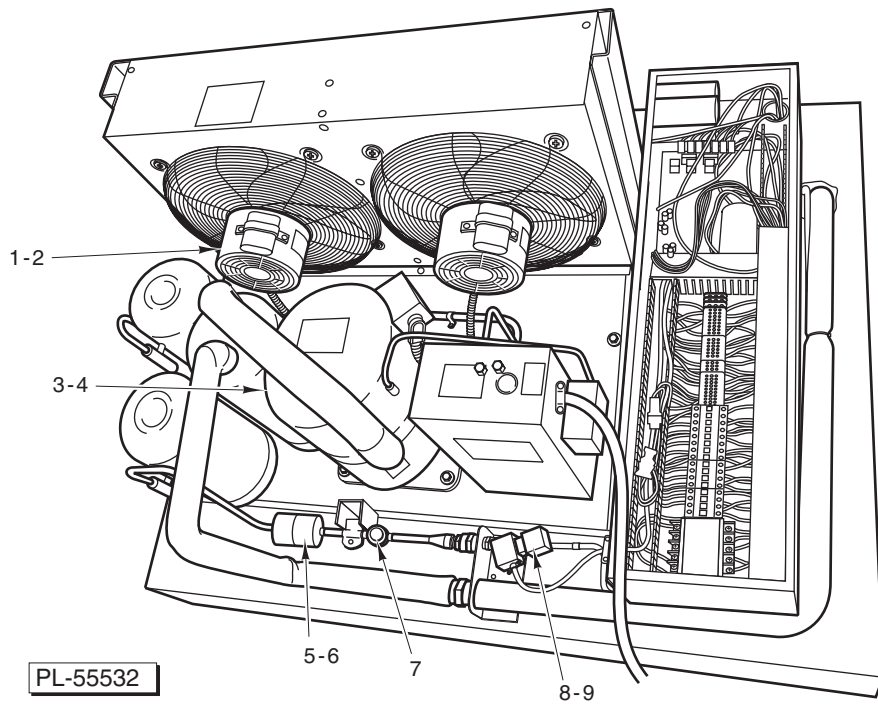


PL-55530

INTERNAL MECHANICAL PARTS ASSEMBLY

INTERNAL MECHANICAL PARTS ASSEMBLY

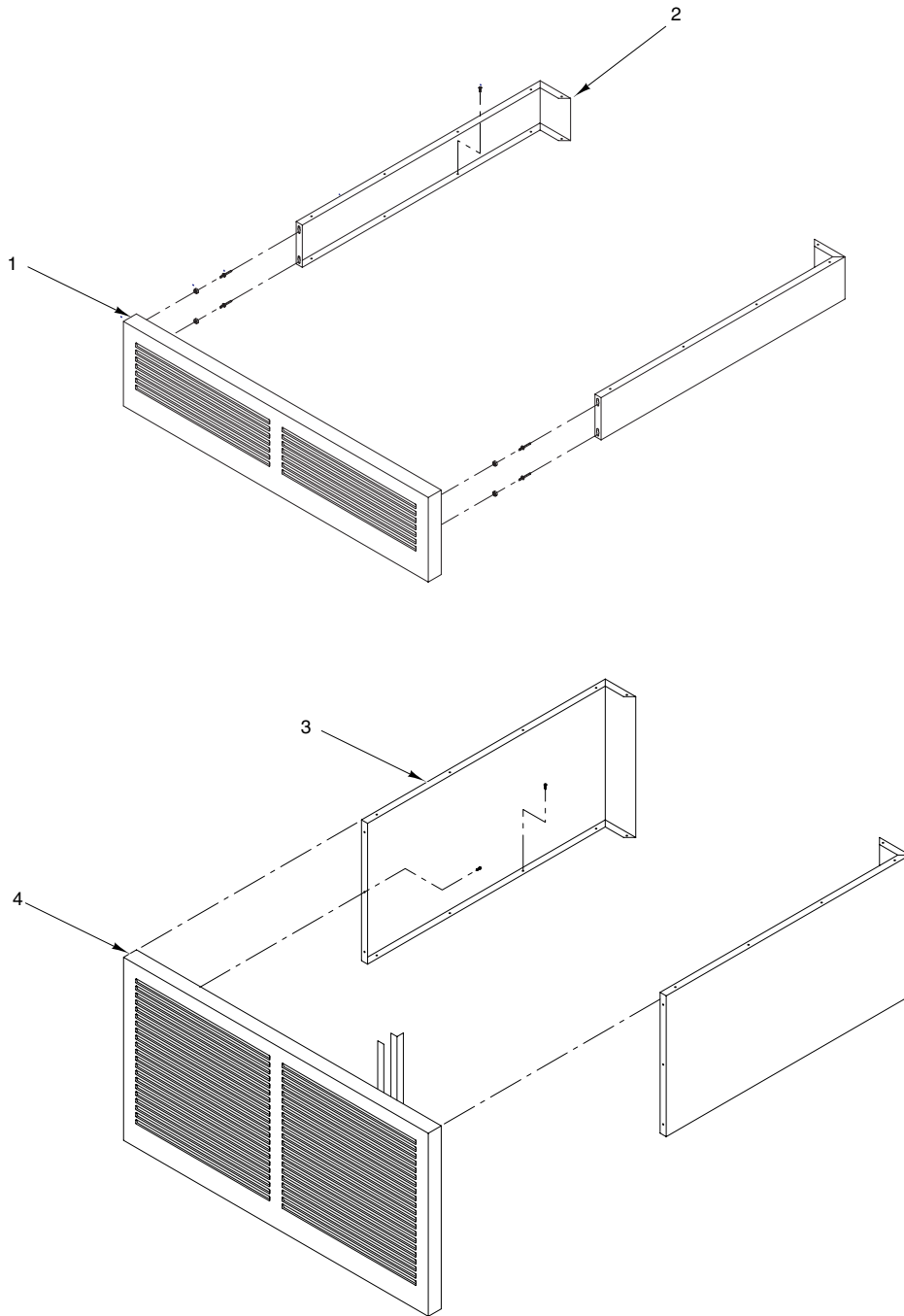
ILLUS.	PART NO.	NAME OF PART	AMT.
PL-55530			
1	01-034673	Coil – Evaporator	1
2	00-630183-00020	Element – Heating	1
3	00-630183-00010	Switch Limit	1
4	00-889103	Frame	1
5	01-025116	Motor – Evaporator Fan (115 V.)	1
6	01-039283	Motor – Evaporator Fan (240 V.)	1
7	01-039282	Motor – Evaporator Fan (208 V.)	1
8	00-630182-00094	Support – Ventilator	1
9	00-630183-00021	Element – Pan	1
	01-011404	Orifice	1
	01-011392	Valve – Expansion TX	1
	01-016876	Clip – Defrost Heater	1
	01-014622	Control – Safety Thermostat	1
	01-011411	Valve – Solenoid	1
	01-016876	Clip – Defrost Heater	1
	00-889010-00001	Protector – Fan & Coil	1



UPPER SECTION ASSEMBLY

UPPER SECTION ASSEMBLY

ILLUS.	PART NO.	NAME OF PART	AMT.
PL-55532			
1	00-603184-00030	Motor – Fan	1
2	00-630184-00031	Motor – Fan	1
3	01-039504	Compressor (PFV)	1
4	01-039505	Compressor (TF5)	1
5	01-011373	Drier – Filter	1
6	00-630181-00063	Drier	1
7	01-011377	Glass – Sight	1
8	01-011411	Valve – Solenoid	1
9	01-011383	Coil (120 V.)	1
	00-630184-00026	Capacitor – Run	1
	00-630184-00014	Capacitor – Start	1
	00-630184-00027	Relay (Copeland)	1
	00-630182-00095	Accumulator – Suction	1
	00-630184-00029	Switch – Pressure	1
	00-630180-00047	Glass – Moisture Indicator	1
	00-630181-00065	Valve – Solenoid	1
	00-630181-00064	Solenoid – Dual	1
	00-630141-00012	Contactora (12 Amp.)	1
	00-630183-00006	Breaker – Compressor (1 Phase)	1
	00-630183-00003	Breaker – Compressor (3 Phase)	1
	00-630182-00096	Valve – Regulating	1



PL-55531

UPPER COVER ASSEMBLY

UPPER COVER ASSEMBLY

ILLUS. PL-55531	PART NO.	NAME OF PART	AMT.
1	00-889204-00004	Cover – Compressor Front (Remote)	1
2	00-889111-00002	Cover – Compressor Side (Remote)	1
3	00-889110-00002	Cover – Compressor Side (Self-Contained)	1
4	00-889110-00005	Cover – Compressor Front (Self-Contained)	1

