



CATALOG OF REPLACEMENT PARTS

HPR SERIES PROOFER/RETARDER

MODEL HPR1

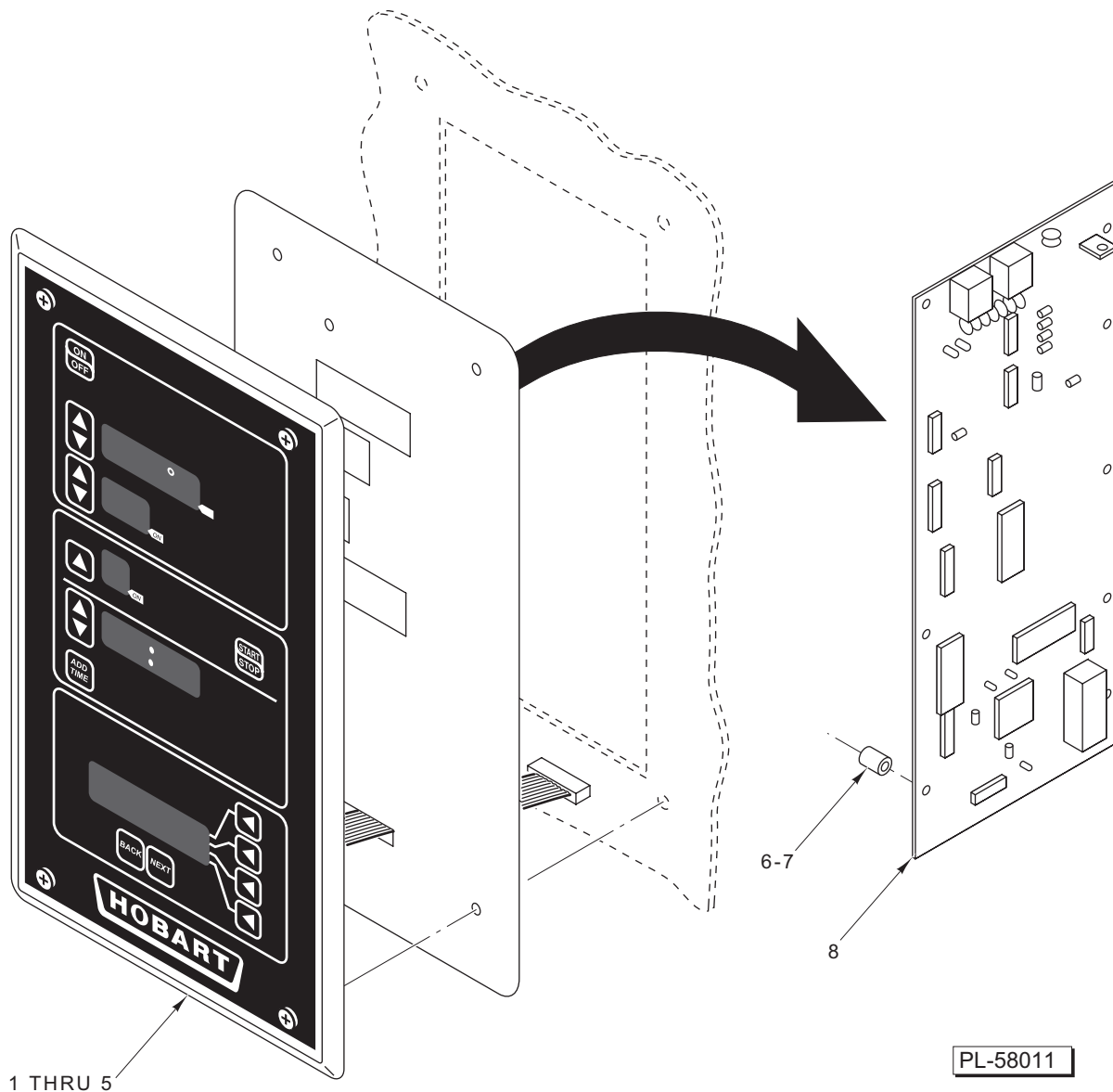
ML-132406	30 In. (Standard)
ML-132407	50 In. (Standard)
ML-132408	63 In. (Standard)
ML-132409	83 In. (Standard)
ML-132410	96 In. (Standard)
ML-132411	116 In. (Standard)
ML-132412	30 In. (Pass-Thru)
ML-132413	50 In. (Pass-Thru)
ML-132414	63 In. (Pass-Thru)
ML-132415	83 In. (Pass-Thru)
ML-132416	96 In. (Pass-Thru)
ML-132417	116 In. (Pass-Thru)

MODEL HPR2

ML-132368	30 In. (Standard)
ML-132369	50 In. (Standard)
ML-132370	63 In. (Standard)
ML-132371	83 In. (Standard)
ML-132372	96 In. (Standard)
ML-132373	116 In. (Standard)
ML-132374	30 In. (Pass-Thru)
ML-132375	50 In. (Pass-Thru)
ML-132376	63 In. (Pass-Thru)
ML-132377	83 In. (Pass-Thru)
ML-132378	96 In. (Pass-Thru)
ML-132379	116 In. (Pass-Thru)

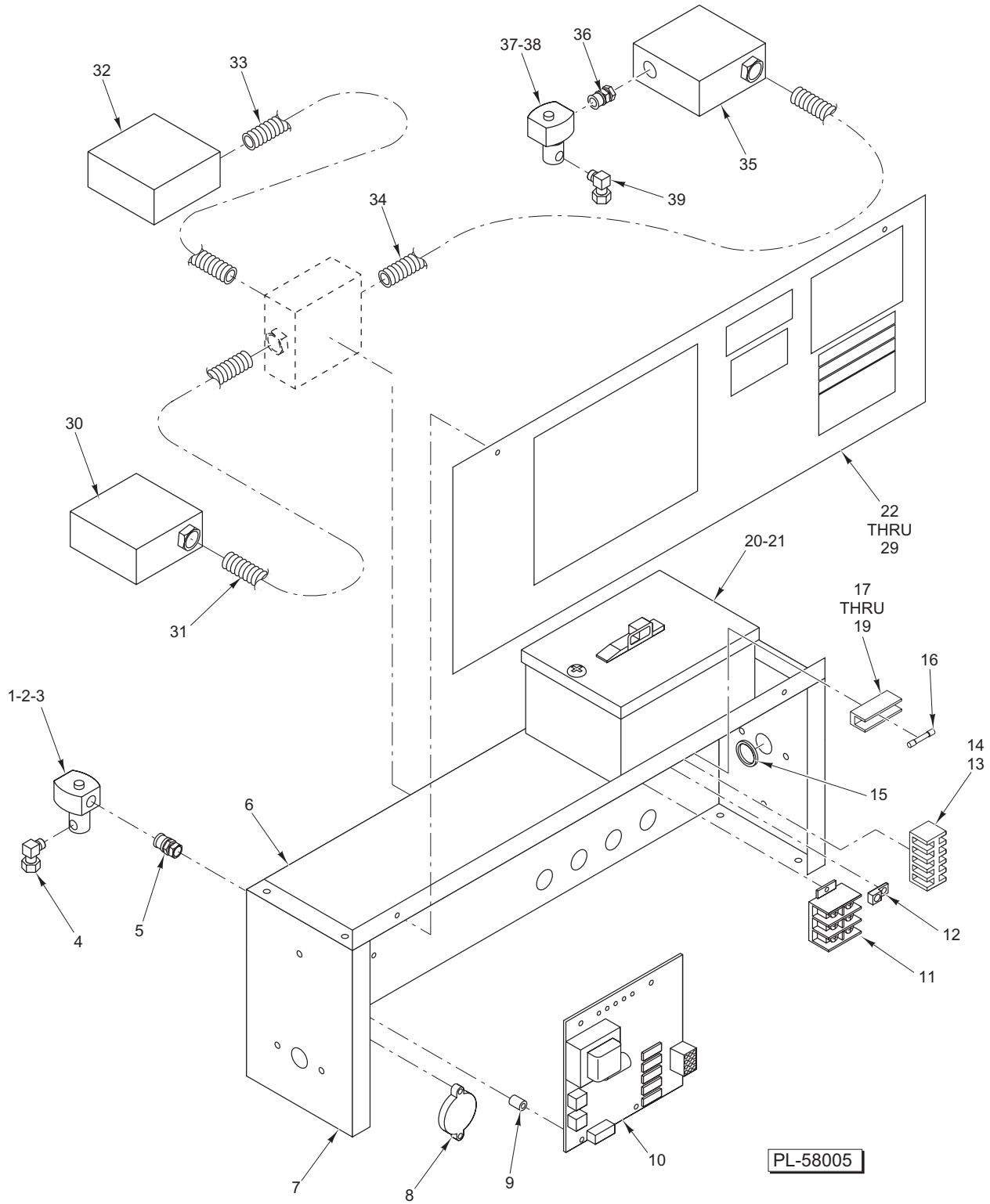
Table of Contents

3	Control Panel
5	Service Entrance
7	Single-Wide Cabinet
9	Double-Wide Cabinet
11	Single Door Assembly
13	Double Door Assembly
15	Trim and Interior Bumpers
17	Steam Unit
19	Condenser/Evaporator (Previous Construction)
21	Condenser/Evaporator (Current Construction) (1-Wide Unit)
23	Condenser/Evaporator (Current Construction) (2-Wide Unit)
25	Drain Assembly
27	Exterior Water Supply



CONTROL PANEL

ILLUS.	PART NO.	NAME OF PART	AMT.
PL-58011			
1	01-1P2168-00005	Plate – Control (Advanced) (Incls. Items 2 & 3).....	1
2	01-100V21-00092	Gasket	4 Ft.
3	01-100V16-0598H	Label – Control (Advanced)	1
4	01-1P2024-00002	Plate – Control Panel (Blank) (Pass Thru) (Not Shown).....	1
5	01-1P1854-00005	Panel – Control (Advanced) (Incls. Items 2, 3, 6, 7, & 8).....	1
6	01-1P1854-00101	Spacer – Modified – Hybrid	1
7	01-1M3001-00003	Spacer – PC Board.....	4
8	01-100V16-00626	Board – PC Control.....	1



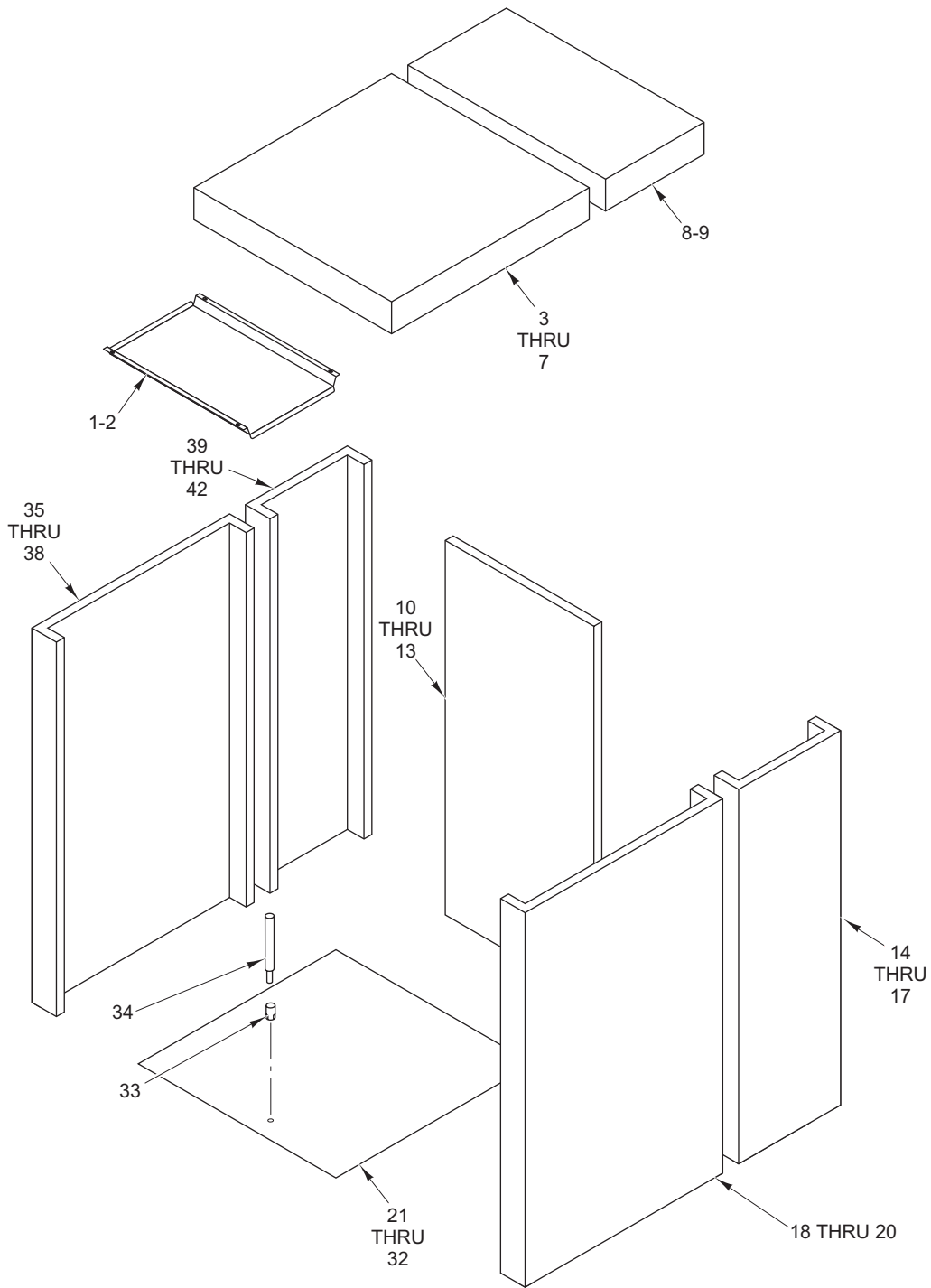
SERVICE ENTRANCE

SERVICE ENTRANCE

ILLUS. PL-58005	PART NO.	NAME OF PART	AMT.
1	01-1P2030-00101	Solenoid Assy. (1- & 2-Duct Unit)	1
2	01-1P2030-00102	Solenoid Assy. (2- & 3-Duct Unit)	1
3	01-100V17-00075	Valve – Solenoid (2-Way)	1
4	01-100V17-00339	Elbow	1
5	01-100V11-00102	Nipple – Bushed Chase	1
6	01-1P2025-00003	Base – Component	1
7	01-1P2026-00002	Panel – Side (Component Box)	2
8	01-1P1749-00001	Beeper Assy.	1
9	01-1000V5-00164	Spacer	4
10	01-100V16-00627	Board – Power Supply (Advanced) (Used with Items 15 thru 19)	1
11	01-1000V5-00096	Block – Distribution	1
12	01-1000V5-00037	Lug – Terminal	1
13	01-1000V5-00105	Terminal – Section Flat Mount (600 V.)	5
14	01-1000V5-00106	End – Section Flat Mount (600 V.)	1
15	01-1000V5-00059	Bushing – Snap	1
16	01-100V10-00245	Fuse (25 Amp.) (1 & 3 Ph.)	AR
17	01-100V10-00234	Terminal – Section – Flat Mount (600 V.)	AR
18	01-100V10-00235	End – Section – Flat Mount (600 V.)	1
19	01-100V10-00232	Block – Fuse – Molded Base (30 Amp.)	AR
20	01-1000V6-00191	Breaker – Circuit (15 Amp., 120/240 V.)	1
21	01-100V11-00139	Box – Breaker	1
22	01-1P2196-00001	Cover Assy. – Component Box (1- & 2-Duct Unit, 1 Ph.)	1
23	01-1P2196-00002	Cover Assy. – Component Box (2-Duct Unit, 1 Ph.)	1
24	01-1P2196-00003	Cover Assy. – Component Box (3-Duct Unit, 1 Ph.)	1
25	01-1P2196-00004	Cover Assy. – Component Box (1-Duct Unit, 3 Ph.)	1
26	01-1P2196-00005	Cover Assy. – Component Box (1- & 2-Duct Unit, 3 Ph.)	1
27	01-1P2196-00006	Cover Assy. – Component Box (3-Duct Unit, 3 Ph.)	1
28	01-1P2196-00009	Cover Assy. – Component Box (2-Duct Unit, 1 Ph., HP3 Only)	1
29	01-1P2196-00010	Cover Assy. – Component Box (2-Duct Unit, 3 Ph., HP3 Only)	1
30	01-100V11-0024C	Box Assy. – Junction	AR
31	01-1P2030-00201	Conduit – First Air Duct (1-, 2-, & 3-Duct Unit)	1
32	01-100V11-0024C	Box Assy. – Junction	1
33	01-1P2030-00202	Conduit – Second Air Duct (2- & 3-Duct Unit)	1
34	01-1P2030-00203	Conduit – Third Air Duct (2- & 3-Duct Unit, 3-Wide Only)	1
35	01-100V11-0024C	Box Assy. – Junction	1
36	01-100V11-00102	Nipple – Bushed Chased	1
37	01-100V17-00075	Valve – Solenoid 2-Way	1
38	01-1P2030-00103	Solenoid Assy. (2- & 3-Duct Unit)	1
39	01-100V17-00339	Elbow	1
	*01-1P2030-00017	Box – Advanced Control (1-Duct Unit, 1 & 3 Ph.)	1
	*01-1P2030-00018	Box – Advanced Control (2-Duct Unit, 1 Ph.)	1
	*01-1P2030-00019	Box – Advanced Control (2-Duct Unit, 3 Ph.)	1
	*01-1P2030-00020	Box – Advanced Control (3-Duct Unit, 1 Ph.)	1
	*01-1P2030-00021	Box – Advanced Control (3-Duct Unit, 3 Ph.)	1
	**01-1P2255-00001	Box – Advanced Control (1-Duct Unit, 3 Ph.)	1
	**01-1P2255-00002	Box – Advanced Control (2-Duct Unit, 1- & 2-Wide, 3 Ph.)	1
	**01-1P2255-00003	Box – Advanced Control (2-Duct Unit, 3-Wide, 3 Ph.)	1
	**01-1P2255-00004	Box – Advanced Control (3-Duct Unit, 3-Wide, 3 Ph.)	1
	**01-1P2256-00001	Box – Advanced Control (1-Duct Unit, 1 Ph.)	1
	**01-1P2256-00002	Box – Advanced Control (2-Duct Unit, 2- & 3-Wide, 1 Ph.)	1
	**01-1P2256-00003	Box – Advanced Control (2-Duct Unit, 3-Wide, 1 Ph.)	1
	**01-1P2256-00004	Box – Advanced Control (3-Duct Unit, 3-Wide, 1 Ph.)	1
	01-1000V6-00225	Relay – Power	AR
	01-1000V6-00070	Relay	3
	01-1000V6-00237	Timer (2-Wide Only)	1

*Used before 02-18-06.

**Used after 02-18-06.



PL-58006

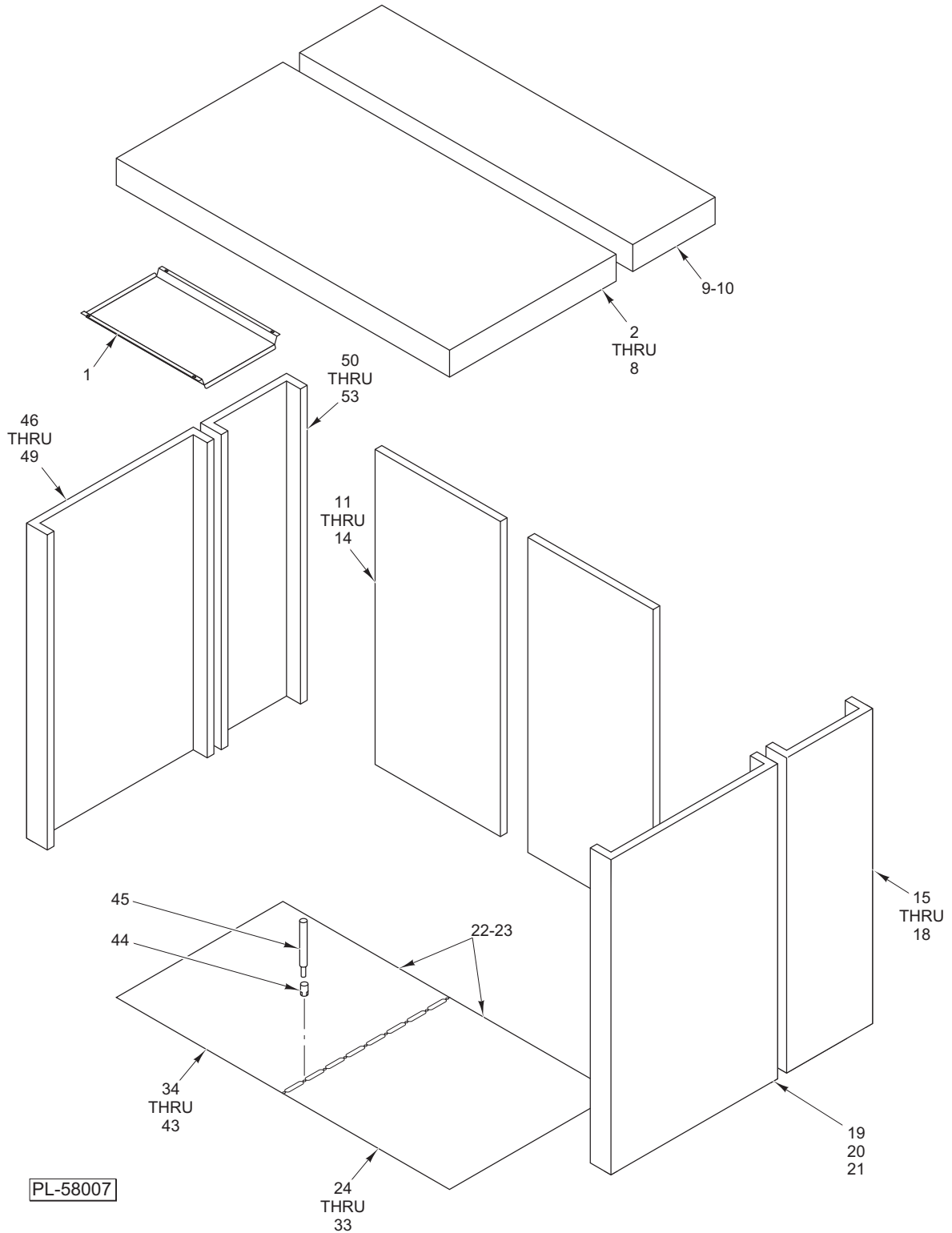
SINGLE-WIDE CABINET

SINGLE-WIDE CABINET

ILLUS. PL-58006	PART NO.	NAME OF PART	AMT.
1	01-1P1898-00001	Duct – Ceiling (Used on Full Panel Blank Ceiling Panel)	1
2	01-1P1898-00002	Duct – Ceiling (Used on Refrigerated Ceiling Panel).....	1
3	01-1P1851-00004	Panel – Ceiling (Used on Non-Refrigerated Ceiling Panel).....	AR
4	01-1P1851-00006	Panel – Ceiling (Used on Refrigerated Full Panel Ceiling).....	1
5	01-1000V5-00059	Bushing – Snap (Plastic)	AR
6	01-1000V5-00073	Bushing – Snap	AR
*7	01-100V21-00092	Gasket – PVC-Extruded (“B” Shape).....	30 Ft.
8	01-1P1851-00005	Ceiling Assy. – Half Panel.....	1
*9	01-100V21-00092	Gasket – PVC-Extruded (“B” Shape).....	30 Ft.
10	01-1P1839-00004	Panel Assy. – Rear	1
11	01-100V18-00144	Latch – Cam Lock.....	2
12	01-100V18-00145	Receptacle – Cam Lock.....	2
*13	01-100V21-00092	Gasket – PVC-Extruded (“B” Shape).....	30 Ft.
14	01-100V18-00144	Latch – Cam Lock.....	AR
15	01-100V18-00145	Receptacle – Cam Lock.....	AR
*16	01-100V21-00092	Gasket – PVC-Extruded (“B” Shape).....	30 Ft.
17	01-1P1841-00004	Wall Assy. (RH, 1/2 Panel)	1
18	01-1P1841-00003	Wall Assy. (RH).....	1
19	01-100V18-00145	Receptacle – Cam Lock.....	AR
*20	01-100V21-00092	Gasket – PVC-Extruded (“B” Shape).....	30 Ft.
21	01-1P2223-00030	Floor (30 In. STD).....	1
22	01-1P2223-00050	Floor (50 In. STD).....	1
23	01-1P2223-00063	Floor (63 In. STD).....	1
24	01-1P2223-00083	Floor (83 In. STD).....	1
25	01-1P2223-00096	Floor (96 In. STD).....	1
26	01-1P2223-00116	Floor (116 In. STD).....	1
27	01-1P2223-0030P	Floor (30 In. Pass Thru).....	1
28	01-1P2223-0050P	Floor (50 In. Pass Thru).....	1
29	01-1P2223-0063P	Floor (63 In. Pass Thru).....	1
30	01-1P2223-0083P	Floor (83 In. Pass Thru).....	1
31	01-1P2223-0096P	Floor (96 In. Pass Thru).....	1
32	01-1P2223-0116P	Floor (116 In. Pass Thru).....	1
33	01-1000V4-00073	Anchor – Drop-In 1/4-20.....	AR
34	01-1000V4-0073A	Tool – Setting	1
35	01-1P1843-00002	Wall Assy. (LH).....	1
36	01-1P1843-00003	Wall Assy. (LH) (116 In. STD, 96 & 116 In. Pass Thru).....	1
37	01-100V18-00144	Latch – Cam Lock.....	AR
*38	01-100V21-00092	Gasket – PVC-Extruded (“B” Shape).....	30 Ft.
39	01-1P1841-00002	Wall Assy. (LH, 1/2 Panel).....	1
40	01-100V18-00144	Latch – Cam Lock.....	AR
*41	01-100V21-00092	Gasket – PVC-Extruded (“B” Shape).....	30 Ft.
42	01-100V18-00145	Receptacle – Cam Lock.....	AR
	01-100V21-00057	Adhesive – Floor (11 Oz. Tube).....	AR
	01-100V19-00024	Trowel – Mastic (For Floor Adhesive).....	1
	**01-1P2034-00001	Kit – Light Fixture.....	1
	01-1000V7-00019	Light Fixture	1
	01-100V11-0024A	Box – J.....	2
	01-1000V5-00015	Nut – Wire.....	2
	01-1000V7-00002	Bulb – Light.....	1
	01-1000V5-00059	Bushing – Snap	1
	01-100V15-00066	Plug – Button 1/2 In.	AR
	01-100V15-00067	Plug – Button 7/8 In.	9
	01-1P1907-00001	Panel – Stop Top	2
	01-1P1907-00002	Panel – Stop Top	1

* Quantity Listed is Per Panel or Wall Assy.

** Includes Light Fixture, J-Box, Wire Nut, Light Bulb, & Snap Bushing.



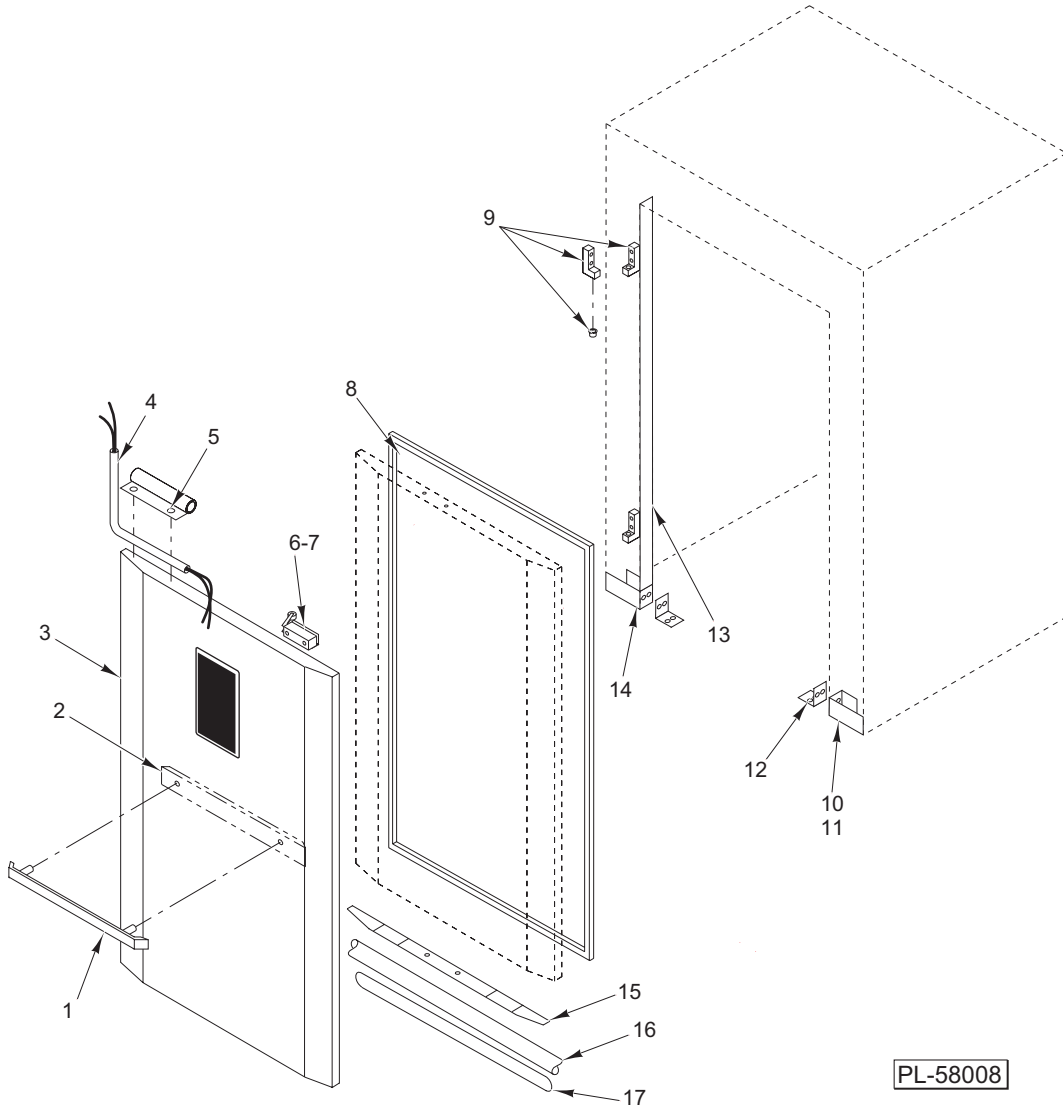
DOUBLE-WIDE CABINET

DOUBLE-WIDE CABINET

ILLUS. PL-58007	PART NO.	NAME OF PART	AMT.
1	01-1P1898-00001	Duct – Ceiling (Used on Full Blank Panel Ceiling Panel)	1
2	01-1P1853-00001	Panel – Ceiling (Used on Full Blank Panel – Non-Refrigerated)	AR
3	01-1P2176-00001	Panel – Ceiling (Used on Refrigerated Unit).....	1
4	01-1P2176-0001R	Panel – Ceiling Rear (Used on Refrigerated Unit, As Required)	AR
5	01-1000V5-00059	Bushing – Snap (Plastic)	AR
6	01-1000V5-00073	Bushing – Snap	AR
7	01-100V15-00067	Plug – Button 7/8 In.	2
*8	01-100V21-00092	Gasket – PVC Extruded (“B” Shape).....	30 Ft.
9	01-1P1853-00002	Ceiling Assy. – Half Panel.....	1
*10	01-100V21-00092	Gasket – PVC Extruded (“B” Shape).....	30 Ft.
11	01-1P1839-00001	Panel Assy. – Rear	2
12	01-100V18-00144	Latch – Cam Lock.....	2
13	01-100V18-00145	Receptacle – Cam Lock.....	2
*14	01-100V21-00092	Gasket – PVC-Extruded (“B” Shape).....	30 Ft.
15	01-100V18-00144	Latch – Cam Lock.....	AR
16	01-100V18-00145	Receptacle – Cam Lock.....	AR
*17	01-100V21-00092	Gasket – PVC-Extruded (“B” Shape).....	30 Ft.
18	01-1P1841-00004	Wall Assy. (RH, 1/2 Panel)	1
19	01-1P1841-00001	Wall Assy. (RH)	1
20	01-100V18-00145	Receptacle – Cam Lock.....	AR
*21	01-100V21-00092	Gasket – PVC-Extruded (“B” Shape).....	30 Ft.
22	01-1P2224-00030	Floor (30 In. STD).....	1
23	01-1P2224-0030P	Floor (30 In. Pass Thru).....	1
24	01-1P2224-0050R	Floor (50 In. STD, RH).....	1
25	01-1P2224-0063R	Floor (63 In. STD, RH).....	1
26	01-1P2224-0083R	Floor (83 In. STD, RH).....	1
27	01-1P2224-0096R	Floor (96 In. STD, RH).....	1
28	01-1P2224-0116R	Floor (116 In. STD, RH).....	1
29	01-1P2224-050RP	Floor (50 In. Pass Thru, RH).....	1
30	01-1P2224-063RP	Floor (63 In. Pass Thru, RH).....	1
31	01-1P2224-083RP	Floor (83 In. Pass Thru, RH).....	1
32	01-1P2224-096RP	Floor (96 In. Pass Thru, RH).....	1
33	01-1P2224-116RP	Floor (116 In. Pass Thru, RH).....	1
34	01-1P2224-0050L	Floor (50 In. STD, LH)	1
35	01-1P2224-0063L	Floor (63 In. STD, LH)	1
36	01-1P2224-0083L	Floor (83 In. STD, LH)	1
37	01-1P2224-0096L	Floor (96 In. STD, LH)	1
38	01-1P2224-0116L	Floor (116 In. STD, LH).....	1
39	01-1P2224-050LP	Floor (50 In. Pass Thru, LH)	1
40	01-1P2224-063LP	Floor (63 In. Pass Thru, LH)	1
41	01-1P2224-083LP	Floor (83 In. Pass Thru, LH)	1
42	01-1P2224-096LP	Floor (96 In. Pass Thru, LH)	1
43	01-1P2224-116LP	Floor (116 In. Pass Thru, LH).....	1
44	01-1000V4-00073	Anchor – Drop-In 1/4-20	AR
45	01-1000V4-0073A	Tool – Setting	1
*46	01-100V21-00092	Gasket – PVC Extruded (“B” Shape).....	30 Ft.
47	01-100V18-00144	Latch – Cam Lock.....	AR
48	01-1P1843-00002	Wall Assy. (LH).....	1
49	01-1P1843-00003	Wall Assy. (LH) (116 In. STD, 96 & 116 In. Pass Thru).....	1
50	01-1P1841-00002	Wall (LH, 1/2 Panel)	2
51	01-100V18-00144	Latch – Cam Lock.....	AR
52	01-100V18-00145	Receptacle – Cam Lock.....	AR
*53	01-100V21-00092	Gasket – PVC-Extruded (“B” Shape).....	30 Ft.
	01-100V21-00057	Adhesive – Floor (11 Oz. Tube).....	AR
	01-100V19-00024	Trowel – Mastic (For Floor Adhesive)	1
	**01-1P2034-00001	Kit – Light Fixture.....	1
	01-1000V7-00019	Light Fixture	1
	01-100V11-0024A	Box – J.....	2
	01-1000V5-00015	Nut – Wire.....	2
	01-1000V7-00002	Bulb – Light.....	1
	01-1000V5-00059	Bushing – Snap	1
	01-100V15-00066	Plug – Button 1/2 In.	AR
	01-100V15-00067	Plug – Button 7/8 In.	AR
	01-1P1907-00001	Panel – Stop Top	2
	01-1P1907-00002	Panel – Stop Top	1

* Quantity Listed is Per Panel or Wall Assy.

** Includes Light Fixture, J-Box, Wire Nut, Light Bulb, & Snap Bushing.

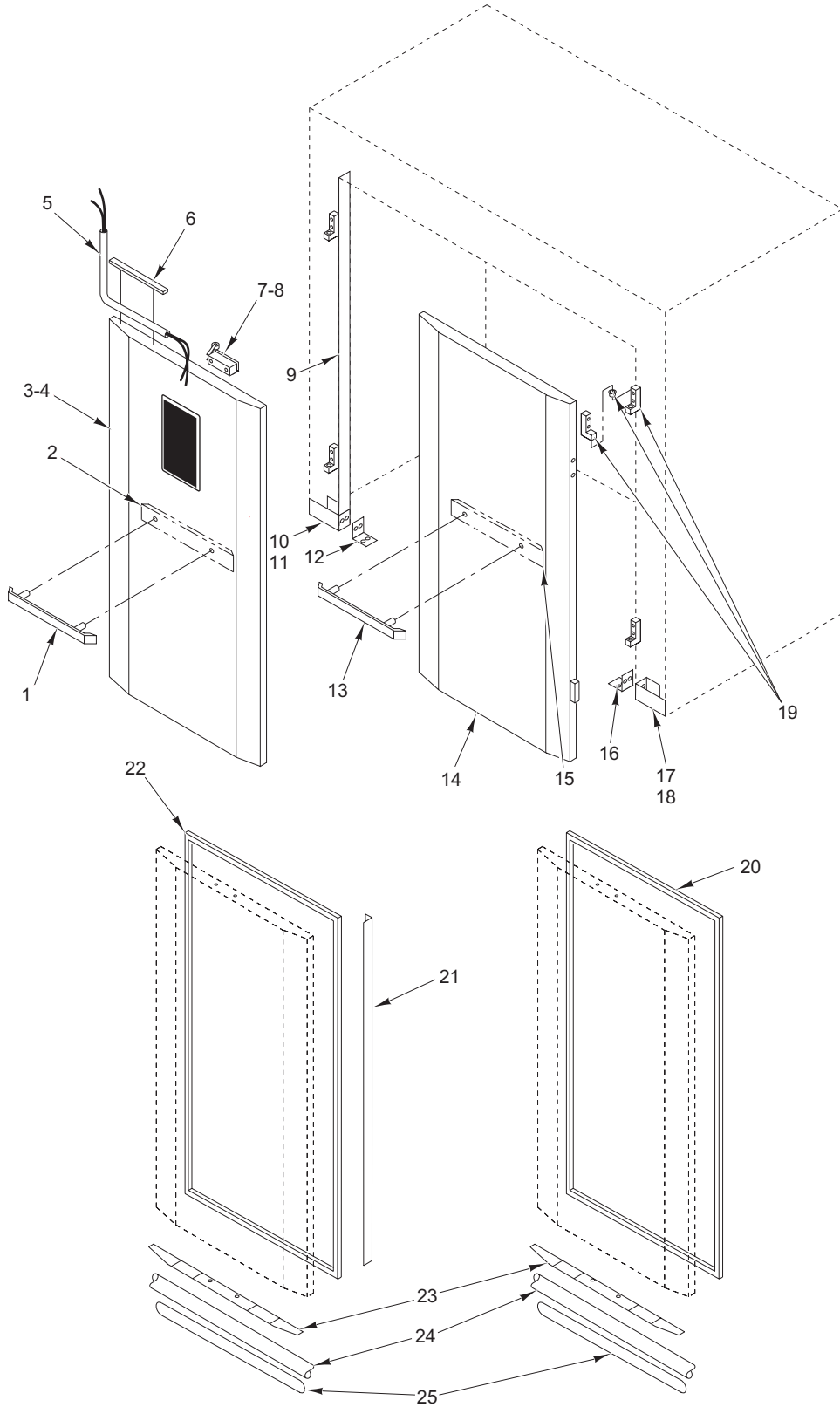


SINGLE DOOR ASSEMBLY

SINGLE DOOR ASSEMBLY

ILLUS. PL-58008	PART NO.	NAME OF PART	AMT.
1	01-1P1499-00002	Handle – Door.....	1
2	01-1P1837-00001	Bumper – Door	1
3	01-1P1845-00004	Door – Control	1
4	01-1P1384-00004	Conduit – Wire – Control Panel	1
5	01-1P1485-00002	Clamp – Wire Tube, Door	1
6	01-100V18-00152	Closer – Door (W/Flush Strike).....	1
7	01-1P1914-00001	Bracket – Door Closer	1
8	01-1P2146-00008	Gasket – Magnetic.....	1
9	01-1P1867-00001	Hinge – Package	2
10	01-1P2019-00001	Trim – Jamb (Used Before 01-03-05)	1
11	01-1P2019-00004	Trim – Jamb (Used After 01-03-05)	1
12	01-1P2018-00002	Angle – Retainer.....	2
*13	01-1P2021-00001	Strip – Cover (Jamb).....	AR
14	01-1P2019-00002	Trim – Jamb	1
15	01-1P2109-00004	Retainer – Floor Seal.....	1
16	01-1P2106-00004	Seal – Floor	1
17	01-1P2107-00004	Retainer – Floor Seal.....	1
	01-1P2108-00004	Floor Seal Assy. (Incls. Items 15, 16, & 17).....	1

* Used Where Two Side Wall Panels Meet.



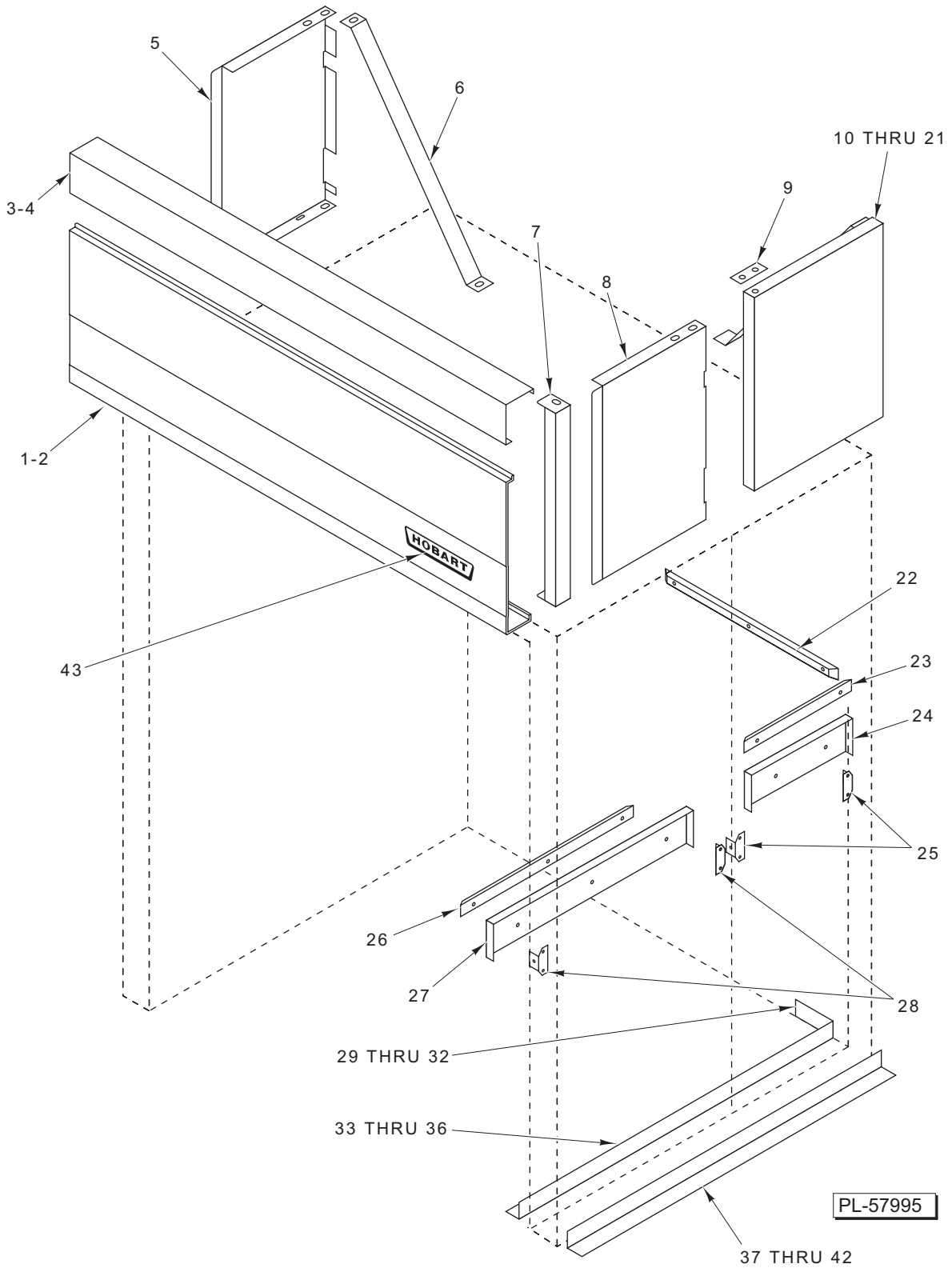
PL-58009

DOUBLE DOOR ASSEMBLY

DOUBLE DOOR ASSEMBLY

ILLUS. PL-58009	PART NO.	NAME OF PART	AMT.
1	01-1P1499-00002	Handle – Door.....	1
2	01-1P1837-00001	Bumper – Door	1
3	01-1P1847-00001	Door	1
4	01-1P1847-00002	Door – W/Control Panel Plate (Pass Thru) (Not Shown).....	1
5	01-1P1384-00004	Conduit – Wire	1
6	01-1P1485-00002	Clamp – Wire Tube Door	1
7	01-1P1914-00001	Bracket – Door Closer	1
8	01-100V18-00152	Closer – Door (W/Flush Strike).....	1
*9	01-1P2021-00001	Strip – Cover Jamb	AR
10	01-1P2019-00001	Trim – Jamb (Used Before 01-03-05)	AR
11	01-1P2019-00002	Trim – Jamb (Used After 01-03-05)	AR
12	01-1P2018-00002	Angle – Retainer	1
13	01-1P1499-00002	Handle – Door.....	1
14	01-1P1849-00001	Door – Blank	1
15	01-1P1837-00001	Bumper – Door	1
16	01-1P2018-00002	Angle – Retainer	1
17	01-1P2019-00001	Trim – Jamb (Used Before 01-03-05)	1
18	01-1P2019-00004	Trim – Jamb (Used After 01-03-05)	1
19	01-1P1867-00001	Hinge – Package	2
20	01-100V16-0576B	Gasket – Magnetic.....	1
21	01-1P2002-00001	Strip – Door Lap.....	1
22	01-100V16-0576B	Gasket – Magnetic.....	1
23	01-1P2109-00002	Retainer – Floor Seal.....	2
24	01-1P2106-00001	Seal – Floor	2
25	01-1P2107-00002	Retainer – Floor Seal.....	2
	01-1P2108-00002	Floor Seal Assy. (Incls. Items 23, 24, & 25).....	2

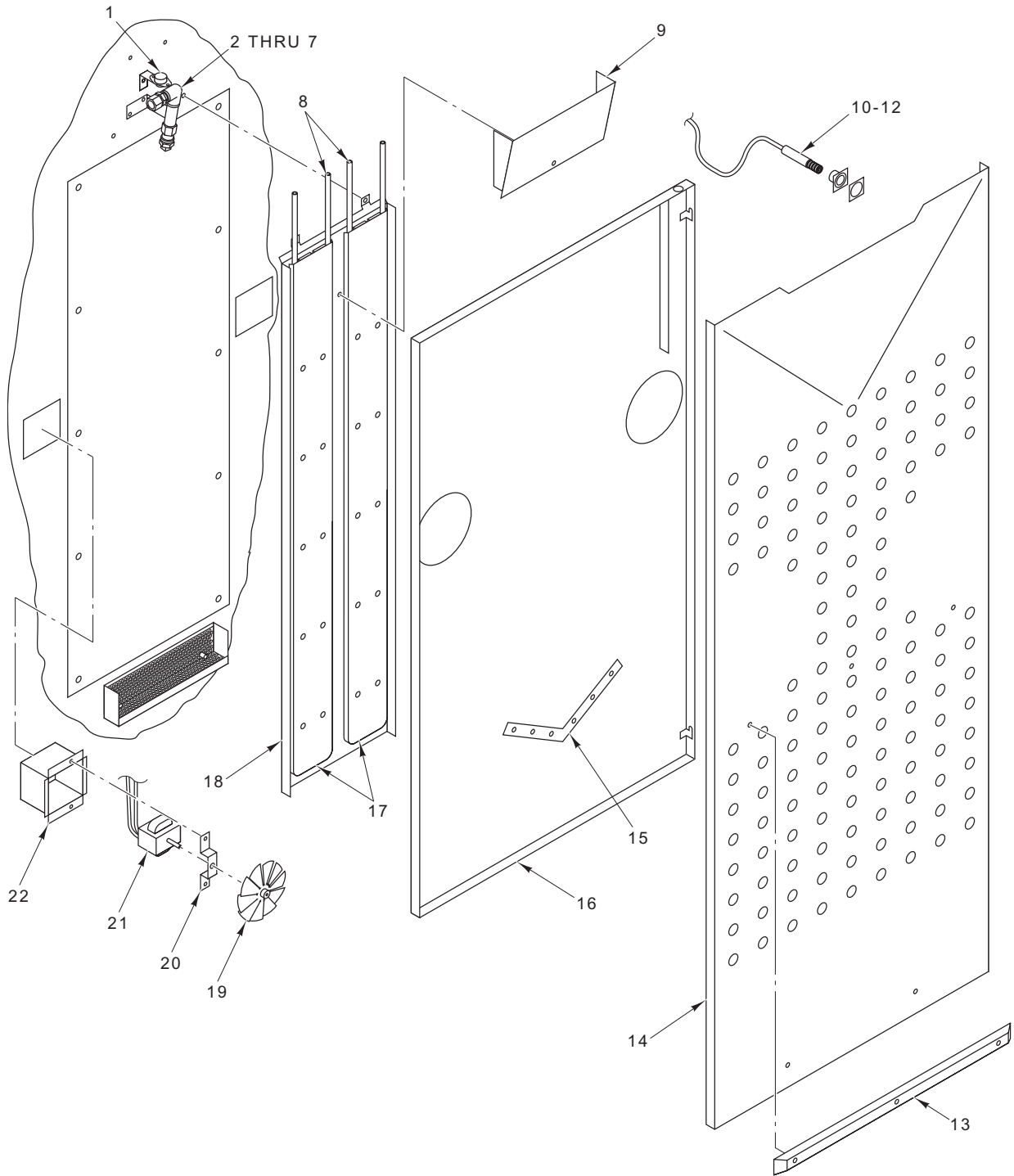
* Used Where Two Side Wall Panels Meet.



TRIM AND INTERIOR BUMPERS

TRIM AND INTERIOR BUMPERS

ILLUS. PL-57995	PART NO.	NAME OF PART	AMT.
1	01-1P2097-00011	Trim – Front Lower (HPR1).....	1
2	01-1P2097-00002	Trim – Front Lower (HPR2).....	1
3	01-1P2096-00011	Trim – Front Upper (HPR1).....	1
4	01-1P2096-00002	Trim – Front Upper (HPR2).....	1
5	01-1P2095-00002	Trim – Side (LH).....	AR
6	01-1P1912-00001	Strap – Support Top Trim.....	AR
7	01-1P2098-00001	Retainer – Forward Trim Assy.....	2
8	01-1P2095-00001	Trim – Side (RH).....	AR
9	01-1P1913-00001	Strap – Connector Top Trim (Used With Side Trim).....	AR
10	01-1P1911-00001	Trim – Side Top (30 In. STD).....	2
11	01-1P1911-00004	Trim – Side Top (50 in. STD).....	1
12	01-1P1911-00002	Trim – Side Top (63 In. STD).....	2
13	01-1P1911-00005	Trim – Side Top (83 in. STD).....	1
14	01-1P1911-00003	Trim – Side Top (96 In. STD).....	2
15	01-1P1911-00006	Trim – Side Top (116 In. STD).....	1
16	01-1P1911-0001P	Trim – Side Top (30 In. Pass Thru).....	2
17	01-1P1911-0004P	Trim – Side Top (50 In. Pass Thru).....	1
18	01-1P1911-0002P	Trim – Side Top (63 In. Pass Thru).....	2
19	01-1P1911-0005P	Trim – Side Top (83 In. Pass Thru).....	1
20	01-1P1911-0003P	Trim – Side Top (96 In. Pass Thru).....	2
21	01-1P1911-0006P	Trim – Side Top (116 In. Pass Thru).....	1
22	01-1P1837-00002	Bumper (Per Panel).....	1
23	01-1P1837-00003	Bumper (1/2 Panel) (Per Panel).....	AR
24	01-1P2012-00002	Support – Bumper (1/2 Panel).....	AR
25	01-1P2013-00002	Bracket – Bumper Support (RH Panel).....	AR
26	01-1P1837-00002	Bumper (Per Panel).....	AR
27	01-1P2012-00001	Support – Bumper (RH).....	AR
28	01-1P2013-00002	Bracket – Bumper Support (RH).....	AR
29	01-1P2229-00001	Floor Angle (RH, Full Panel).....	AR
30	01-1P2229-00002	Floor Angle (1/2 Panel).....	AR
31	01-1P2229-00003	Floor Angle (1-Wide Rear).....	AR
32	01-1P2229-00004	Floor Angle (2-Wide Rear).....	AR
33	01-1P2222-00001	Bracket Assy. – Floor Retainer (Full Wall Panel).....	AR
34	01-1P2222-00002	Bracket Assy. – Floor Retainer (1/2 Wall Panel).....	AR
35	01-1P2222-00003	Bracket Assy. – Floor Retainer (1-Wide Rear Panel).....	AR
36	01-1P2222-00004	Bracket Assy. – Floor Retainer (2-Wide).....	AR
37	01-1P2020-00001	Trim Assy. – Outer – Bottom (30 In.).....	2
38	01-1P2020-00004	Trim Assy. – Outer – Bottom (63 In.).....	2
39	01-1P2020-00005	Trim Assy. – Outer – Bottom (90 In.).....	2
40	01-1P2020-00006	Trim Assy. – Outer – Bottom (50 In.).....	2
41	01-1P2020-00009	Trim Assy. – Outer – Bottom (83 In.).....	2
42	01-1P2020-00010	Trim Assy. – Outer – Bottom (116 In.).....	2
43	01-100V16-00531	Logo – Hobart.....	1
	01-100V21-0005C	Caulk – Silicone (Clear) (Tube).....	1
	01-1P1910-00004	Trim – Rear (Top) (1-Wide).....	1
	01-1P1910-00002	Trim – Rear (Top) (2-Wide).....	1
	01-1P2099-00001	Cover – Slot.....	AR
	01-1P2042-00003	Trim – Inner Base (1-Wide).....	1
	01-1P2042-00002	Trim – Inner Base (2-Wide).....	1
	01-1P2019-00003	Trim – Rear Corner (Used After 01-03-05).....	2



PL-57994

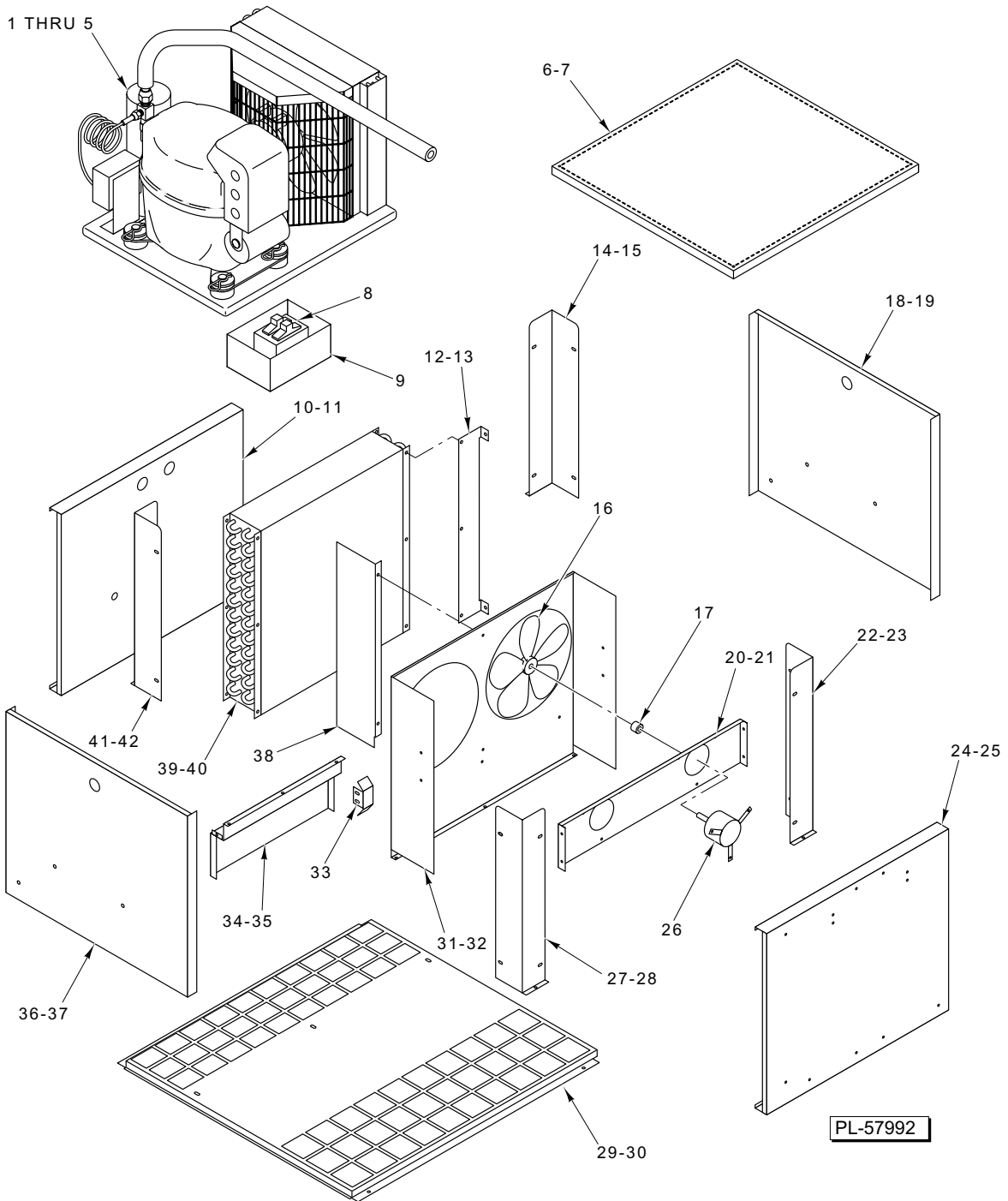
STEAM UNIT

STEAM UNIT*

ILLUS. PL-57994	PART NO.	NAME OF PART	AMT.
1	01-1P2050-00001	Switch – Hi-Limit	1
2	01-1P1362-00002	Bracket – Mounting Spray Nozzle	1
3	01-1P1363-00003	Nozzle Assy. – Spray (Incls. Items 2 & 4 thru 7)	1
4	01-100V17-00258	Ell 3/8 In. NPT (Brass).....	1
5	01-100V17-00272	Fitting – Straight 3/8 In. NPTM x 3	1
6	01-100V17-00281	Coupler – Reducer 3/8 In. to 1/4 In.	1
7	01-100V17-00378	Nozzle – Spray Built-In	1
8	01-100V10-00123	Heating Element (240 V., 2200 W.) (Per Air Duct).....	2
9	01-1P1906-00002	Shield – Spray	1
10	01-1P1905-00003	Bracket – Sensor Assy.	1
11	01-1000V4-00278	Clip – Component	1
**12	01-1P1875-00002	Sensor Assy. – Humidity W/Filter.....	1
13	01-1P1837-00002	Bumper	1
14	01-1P1902-00001	Panel – Intake.....	1
15	01-1P1901-00002	Guide – Drip.....	1
16	01-1P1903-00001	Panel – Intermediate.....	1
17	01-1P1858-00001	Clamp – Heater – Top	2
18	01-1P1859-00001	Plate – Heater Mounting	1
19	01-1000V8-00117	Blade – Fan	2
20	01-1P1904-00001	Bracket – Motor	2
21	01-1000V8-00115	Motor – C-Frame (3K RPM, 120 VAC, 1/2 Hp.).....	2
22	01-1P1909-00001	Cup – Wall Motor	2
	01-1P1874-00002	Plate Assy. – Heater (Incls. Items 8, 17, & 18)	1
	01-1000V4-00047	Nutsert	AR
	01-100V21-00092	Gasket 6.75	1
	01-1P1908-00001	Deflector – Top.....	2

*All quantities shown are per air duct wall, except Items 10, 11, & 12.

**For units produced before 11/2005 with 01-1P1875-00001 Humidity Sensor, order 01-1P2262-00001 Humidity Sensor Kit.

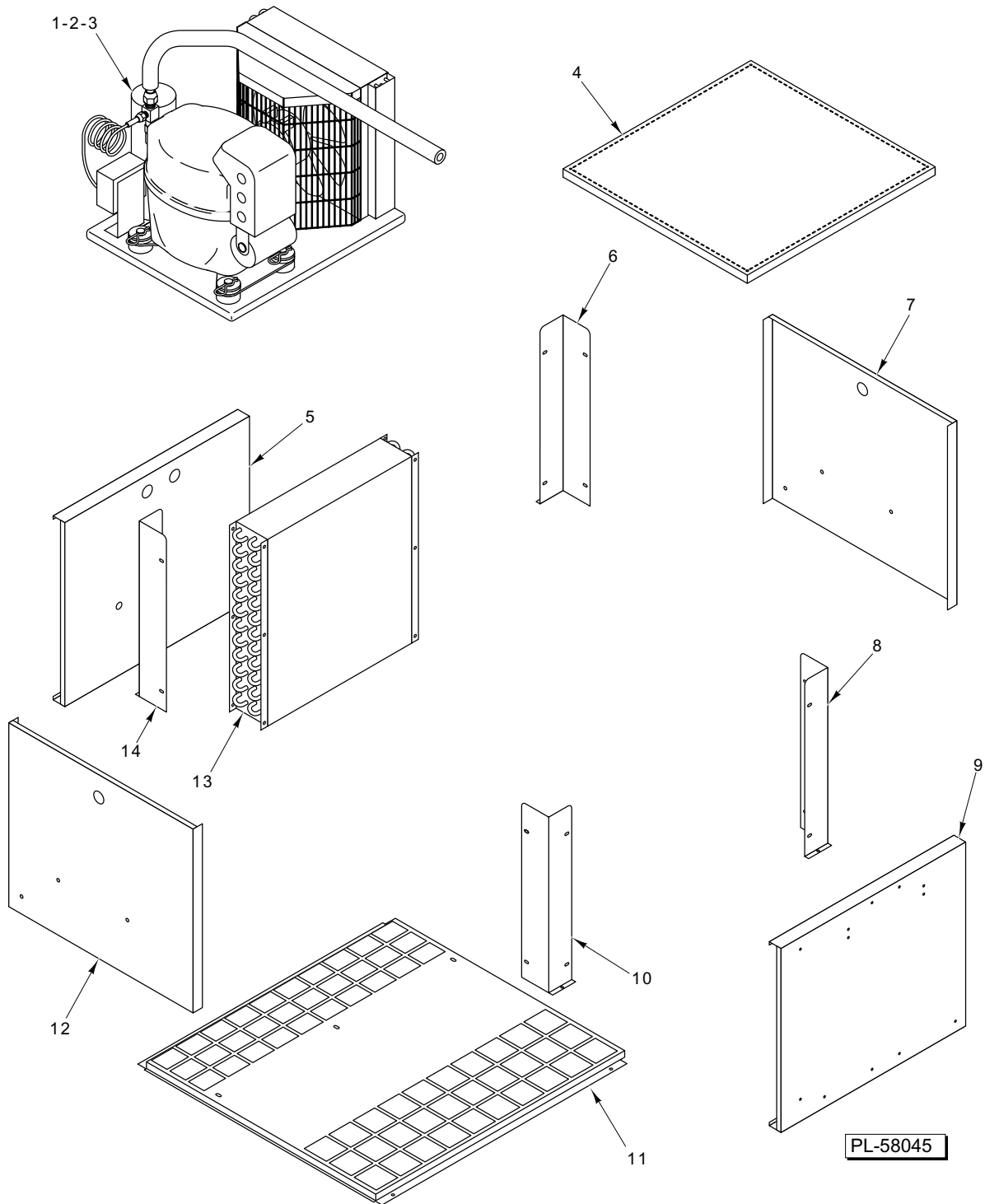


**CONDENSER/EVAPORATOR
(PREVIOUS CONSTRUCTION)**

CONDENSER/EVAPORATOR*
(PREVIOUS CONSTRUCTION)

ILLUS. PL-57992	PART NO.	NAME OF PART	AMT.
1	01-100V17-00527	Union (1/2 FLGRD)	1
2	01-100V17-00528	Connector (1/2 Male).....	1
3	01-100V24-00003	Coil – Solenoid (120 V.)	1
4	01-100V24-00006	Valve – Solenoid (3/8)	1
5	01-1000V5-00023	Pad – Mounting.....	5
6	01-1P2130-00001	Top – Panel – Evaporator Box (1-Wide)	1
7	01-1P2130-00002	Top – Panel – Evaporator Box (2-Wide)	1
8	01-1000V6-00191	Circuit Breaker (15 Amp., 120/240 V.)	1
9	01-100V11-00139	Box – Breaker	1
10	01-1P2119-00001	Side – Panel – Evaporator Box (1-Wide).....	1
11	01-1P2119-00002	Side – Panel – Evaporator Box (2-Wide).....	1
12	01-1P2181-00001	Enclosure – Evaporator Assy. (1-Wide).....	1
13	01-1P2181-00002	Enclosure – Evaporator Assy. (2-Wide).....	1
14	01-1P2074-00001	Bracket – Corner – Evaporator Box (1-Wide).....	1
15	01-1P2074-00002	Bracket – Corner – Evaporator Box (2-Wide).....	1
16	01-1000V8-00094	Blade – Fan	2
17	01-1P2082-00001	Hub – Adapter (Fan Blade).....	2
18	01-1P2170-00001	Panel – Front/Rear – Evaporator Box (1-Wide).....	1
19	01-1P2170-00002	Panel – Front/Rear – Evaporator Box (2-Wide).....	1
20	01-1P2078-00001	Bracket – Fan Motor Mount (1-Wide)	1
21	01-1P2078-00002	Bracket – Fan Motor Mount (2-Wide)	1
22	01-1P2074-00001	Bracket – Corner – Evaporator Box (1-Wide).....	1
23	01-1P2074-00002	Bracket – Corner – Evaporator Box (2-Wide).....	1
24	01-1P2119-00001	Side – Panel – Evaporator Box (1-Wide).....	1
25	01-1P2119-00002	Side – Panel – Evaporator Box (2-Wide).....	1
26	01-1000V8-00062	Motor – Fan	1
27	01-1P2074-00001	Bracket – Corner – Evaporator Box (1-Wide).....	1
28	01-1P2074-00002	Bracket – Corner – Evaporator Box (2-Wide).....	1
29	01-1P2079-00001	Grill – Exhaust (1-Wide).....	1
30	01-1P2079-00002	Grill – Exhaust (2-Wide).....	1
31	01-1P2075-00001	Shroud – Fan (1-Wide)	1
32	01-1P2075-00002	Shroud – Fan (2-Wide)	1
33	01-1P2076-00002	Bracket – Shroud Guide	2
34	01-1P2080-00001	Pan – Drain (1-Wide).....	1
35	01-1P2080-00002	Pan – Drain (2-Wide).....	1
36	01-1P2170-00001	Panel – Front/Rear – Evaporator Box (1-Wide).....	1
37	01-1P2170-00002	Panel – Front/Rear – Evaporator Box (2-Wide).....	1
38	01-1P2077-00002	Baffle – Fan Shroud (2-Wide Only).....	1
39	01-100V24-00073	Coil – Evaporator (4250 BTU)	1
40	01-100V24-00059	Coil – Evaporator (Special) (2-Wide Only).....	1
41	01-1P2074-00001	Bracket – Corner – Evaporator Box (1-Wide).....	1
42	01-1P2074-00002	Bracket – Corner – Evaporator Box (2-Wide).....	1
	01-100V17-00522	Adapter – Male 1/2 In. (CPVC).....	1
	01-100V24-00072	Condenser (1-Wide)	1
	01-100V24-0030C	Condenser (2-Wide)	1
	01-100V24-00018	Valve – Expansion (3/8 x 1/2 ODF or R502/R404A)	1
	01-100V24-00020	Valve – Expansion (3/8 x 1/2 ODF, R134A)	1
	01-100V24-00071	Valve – Expansion (3/8 x 1/2 ODF, R22, or R1230).....	1
	01-100V24-00004	Indicator – Moisture & Liquid	1
	01-100V24-00005	Filter – Drier.....	1
	01-1000V6-00253	Switch – Pressure – Low (1-Wide Only).....	1

*Used prior to 07-29-04.

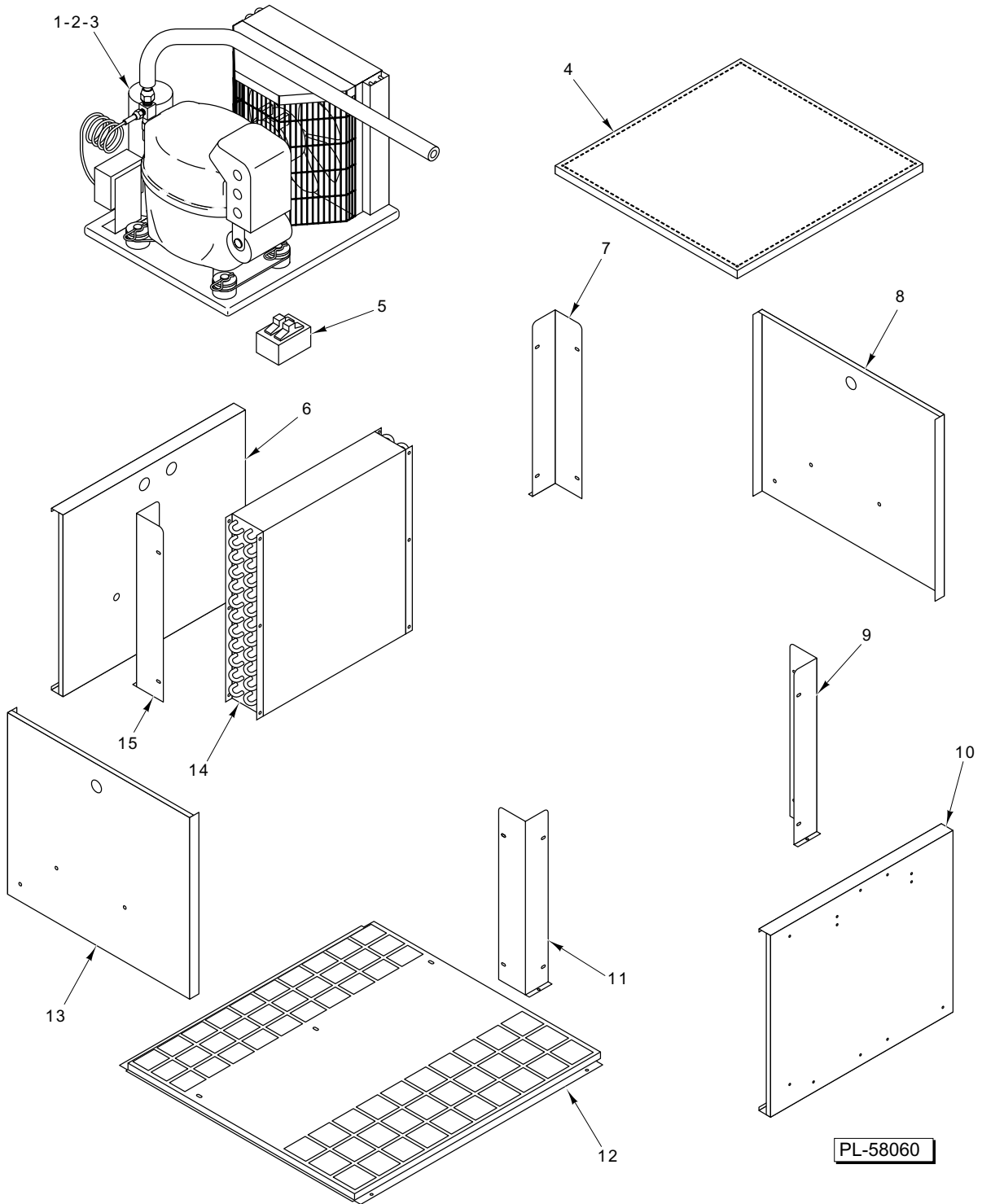


**CONDENSER/EVAPORATOR
(CURRENT CONSTRUCTION)
(1-WIDE UNIT)**

**CONDENSER/EVAPORATOR*
(CURRENT CONSTRUCTION)
(1-WIDE UNIT)**

ILLUS. PL-58045	PART NO.	NAME OF PART	AMT.
1	01-100V24-00003	Coil – Solenoid (120 V.)	1
2	01-100V24-00006	Valve – Solenoid (3/8)	1
3	01-1000V5-00023	Pad – Mounting.....	5
4	01-1P2181-00004	Panel – Ceiling (Evaporator Assy.)	1
5	01-1P2181-00005	Enclosure – Evaporator Assy.	1
6	01-1P2184-00002	Angle – Evaporator Enclosure	1
7	01-1P2181-00006	Enclosure – Evaporator Assy.	1
8	01-1P2184-00002	Angle – Evaporator Enclosure	1
9	01-1P2181-00005	Enclosure – Evaporator Assy.	1
10	01-1P2184-00002	Angle – Evaporator Enclosure	1
11	01-1P2079-00003	Grill – Exhaust	1
12	01-1P2181-00006	Enclosure – Evaporator Assy.	1
13	01-100V24-00076	Coil – Evaporator	1
14	01-1P2184-00002	Angle – Evaporator Enclosure	1
	01-100V17-00522	Adapter – Male 1/2 In. (CPVC).....	1
	01-100V24-00072	Condenser (4250 BTU/HR)	1
	01-100V24-00004	Indicator – Moisture & Liquid	1
	01-100V24-00005	Filter – Drier	1
	01-1P2197-00002	Shroud Assy. – Fan Evaporator Box	1
	01-100V24-00018	Valve – Expansion (3/8 x 1/2 ODF, R502/R404A).....	1
	01-100V24-00020	Valve – Expansion (3/8 x 1/2 ODF, R134A)	1
	01-100V24-00071	Valve – Expansion (3/8 x 1/2 ODF, R22 or R1230).....	1
	01-1000V6-00253	Switch – Pressure – Low	1
	01-1000V6-00191	Breaker – Circuit (15 Amp., 120/240 V.)	1

*Used after 07-29-04.

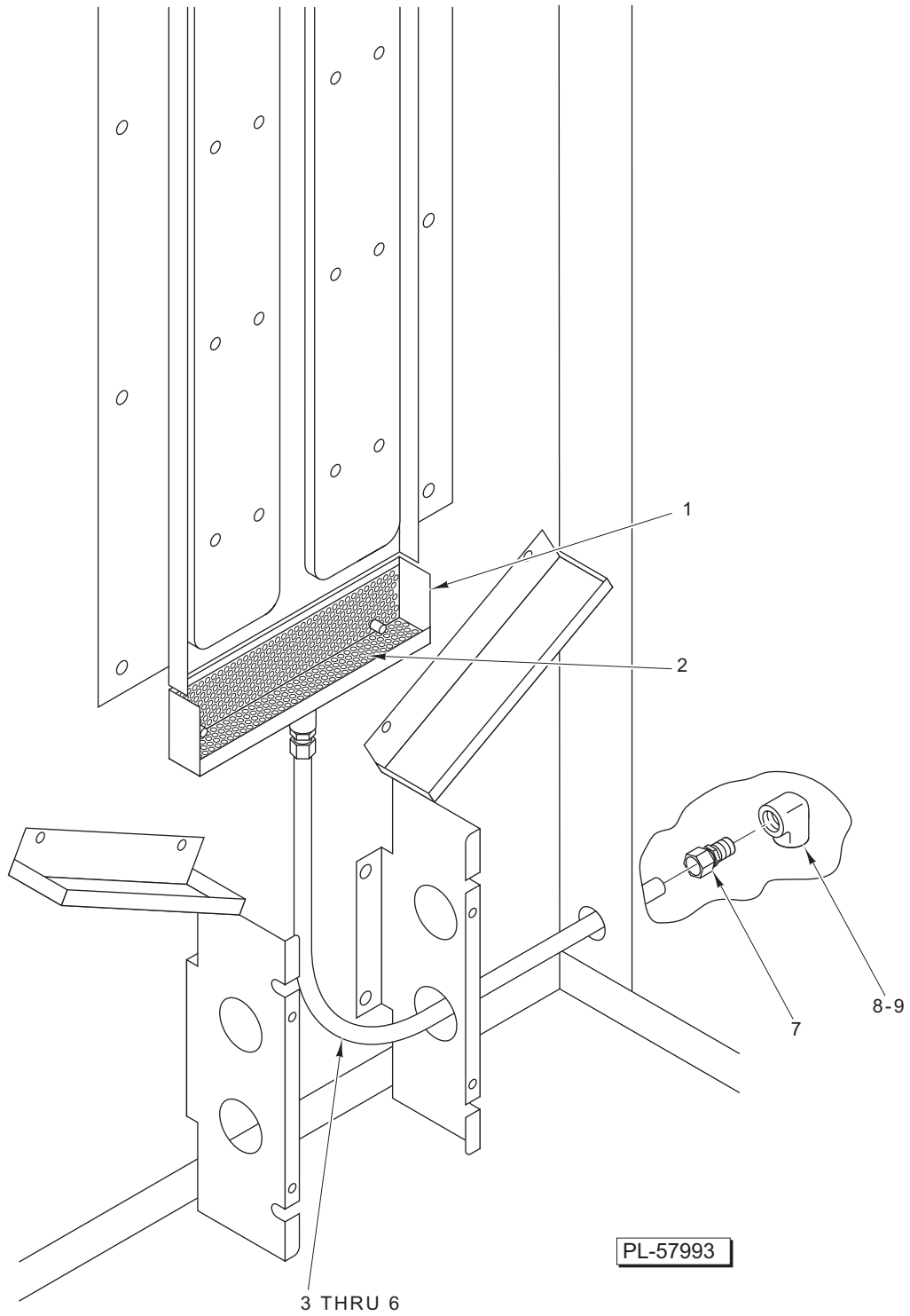


**CONDENSER/EVAPORATOR
(CURRENT CONSTRUCTION)
(2-WIDE UNIT)**

**CONDENSER/EVAPORATOR
(CURRENT CONSTRUCTION)
(2-WIDE UNIT)**

ILLUS.	PART NO.	NAME OF PART	AMT.
	PL-58060		
1	01-100V24-00003	Coil – Solenoid (120 V.).....	1
2	01-100V24-00006	Valve – Solenoid (3/8).....	1
3	01-1000V5-00023	Pad – Mounting.....	5
4	01-1P2181-00001	Panel – Ceiling Assy. (Evaporator Assy.).....	1
5	01-1000V6-00191	Circuit Breaker (15 Amp., 120/240 V.).....	1
6	01-1P2181-00002	Enclosure – Evaporator Assy.....	1
7	01-1P2184-00001	Angle – Evaporator Enclosure.....	1
8	01-1P2181-00003	Enclosure – Evaporator Assy.....	1
9	01-1P2184-00001	Angle – Evaporator Enclosure.....	1
10	01-1P2181-00002	Enclosure – Evaporator Assy.....	1
11	01-1P2184-00001	Angle – Evaporator Enclosure.....	1
12	01-1P2079-00002	Grill – Exhaust.....	1
13	01-1P2181-00003	Enclosure – Evaporator Assy.....	1
14	01-100V24-00036	Coil – Evaporator (120 V.).....	1
15	01-1P2184-00001	Angle – Evaporator Enclosure.....	1
	01-100V17-00522	Adapter – Male 1/2 In. (CPVC).....	1
	01-100V24-0030C	Condenser (6250 BTU/HR).....	1
	01-100V24-00018	Valve – Expansion (3/8 x 1/2 ODF, 6450 BTU, R502 or R404A).....	1
	01-100V24-00020	Valve – Expansion (3/8 x 1/2 ODF, 6450 BTU, R134A).....	1
	01-100V24-00071	Valve – Expansion (3/8 x 1/2 ODF, 6450 BTU, R22 or R1230).....	1
	01-100V24-00004	Indicator – Moisture & Liquid.....	1
	01-100V24-00005	Filter – Drier.....	1
	01-1P2197-00001	Baffle – Evaporator.....	1

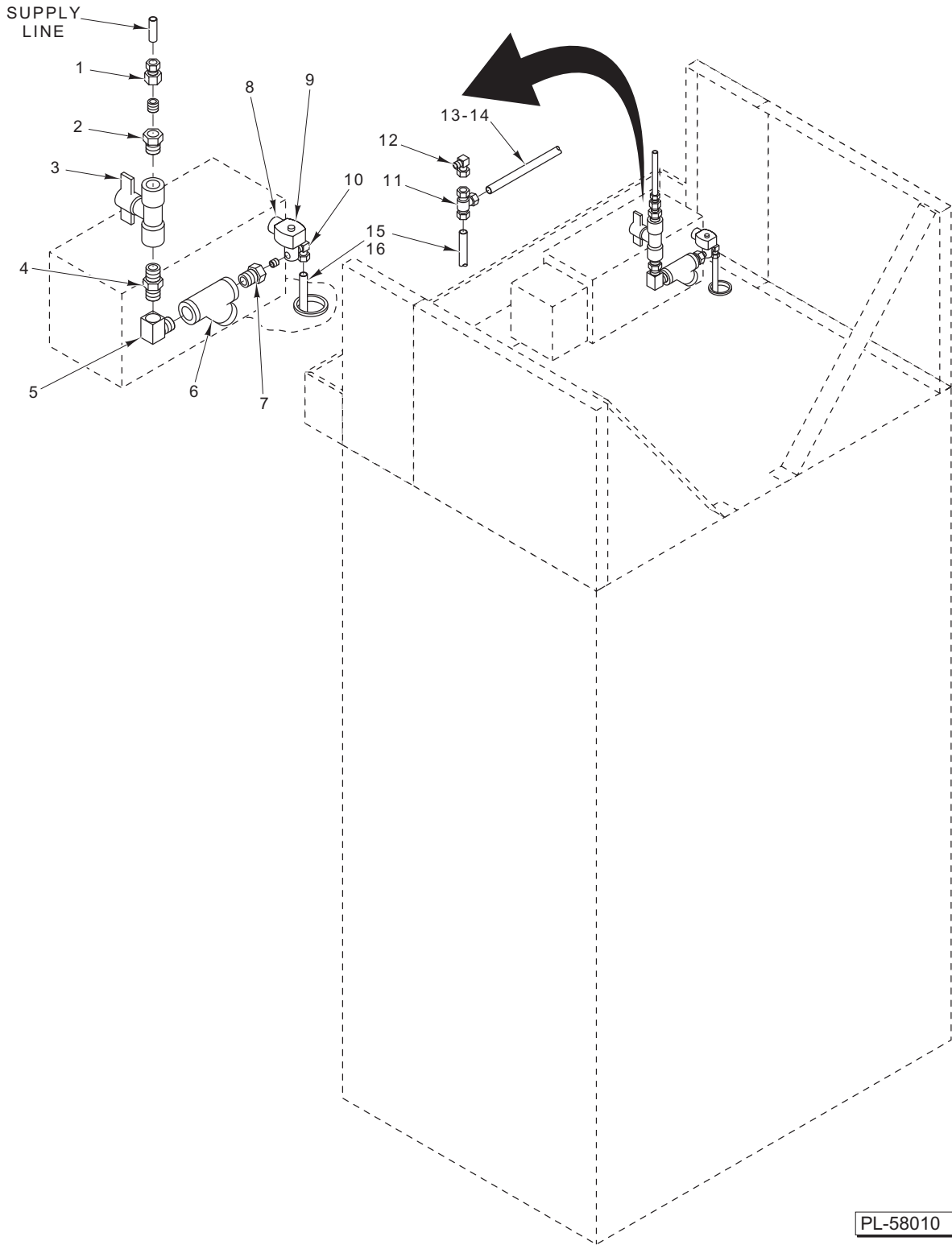
*Used after 07-29-04.



DRAIN ASSEMBLY

DRAIN ASSEMBLY

ILLUS.	PART NO.	NAME OF PART	AMT.
	PL-57993		
1	01-1P1900-00001	Pan – Drain	1
2	01-1P1899-00001	Screen – Drain Pan	1
3	01-1P2036-00101	Tube ⁵ / ₈ In. Bent (Copper)	AR
4	01-1P2036-00102	Tube ⁵ / ₈ In. Straight (Copper) (2-Duct Unit) (Not Shown)	AR
5	01-1P2036-00103	Tube ⁵ / ₈ In. Straight (Copper) (3-Duct Unit) (Not Shown)	AR
6	01-100V17-00394	Tee – Union (Brass) (2- & 3-Duct Unit) (Not Shown)	AR
7	01-100V17-00326	Fitting ⁵ / ₈ In. Comp. x ¹ / ₂ In. NPTM.....	AR
8	01-1M1758-00003	Elbow (Used Before 01-24-05)	1
9	01-100V17-00313	Tube Ell (Brass) ¹ / ₂ In. NPT (Not Shown) (Used After 01-24-05)	2
	01-100V17-00392	Union ⁵ / ₈ In. Comp. (Brass) (Not Shown).....	1
	01-1P2036-00001	Drain (1-Duct Unit) (Incls. Items 3, 7, 8, & 9).....	1
	01-1P2036-00002	Drain (2-Duct Unit) (Incls. Items 3 thru 9).....	1
	01-1P2036-00003	Drain (1- & 2-Wide Only With 3 Air Ducts Only) (Incls. Items 3 thru 9).....	1
	01-1P2036-00004	Drain (¹ / ₂ Panel)	1



PL-58010

EXTERIOR WATER SUPPLY

EXTERIOR WATER SUPPLY

ILLUS.	PART NO.	NAME OF PART	AMT.
PL-58010			
1	01-100V17-00252	Union – Compression (Brass) (1- & 3-Duct Unit).....	1
2	01-100V17-00424	Pipe – Hex 1/4 In. NPT x 1/2 In. NPT	1
3	01-100V17-00089	Valve – Ball 1/2 In. NPTF (Bronze).....	1
4	01-100V17-00288	Pipe 1/2 In. Dia. Close (Brass).....	1
5	01-100V17-00322	Elbow 1/2 In. Street (Brass)	1
6	01-100V17-00275	Strainer (Y) – Liquid (Brass).....	1
7	01-100V17-00424	Pipe – Hex 1/4 In. NPT x 1/2 In. NPT.....	1
8	01-100V17-00075	Valve – Solenoid – 2 Way (120 V.).....	1
9	01-1P2030-00101	Solenoid Assy.	1
10	01-100V17-00339	Elbow – 90 Deg. (Brass).....	1
11	01-100V17-00506	Tee 3/8 In. Compression (Brass) (2- & 3-Duct Unit).....	AR
12	01-100V17-00396	Elbow – Union (Brass) (2-Duct Unit).....	1
13	01-1P2035-00101	Tube 3/8 In. x 32 In. (Copper) (2- & 3-Duct Unit)	AR
14	01-1P2035-00102	Tube 3/8 In. x 19 In. (Copper)	AR
15	01-1P2035-00103	Tube 3/8 In. x 3 In. (Copper)	1
16	01-100V17-00027	Tubing – Copper 3/8 In. Dia. x 12 Ft. (3-Duct Unit) (Not Shown).....	1
	01-1P2035-00001	Water Supply Assy. (30 In. and 50 In.) (1-Duct Unit)	1
	01-1P2035-00002	Water Supply Assy. (63 In. and 83 In.) (2-Duct Unit)	1
	01-1P2035-00003	Water Supply Assy. (96 In. and 116 In.) (3-Duct Unit)	1

