



CATALOG OF REPLACEMENT PARTS



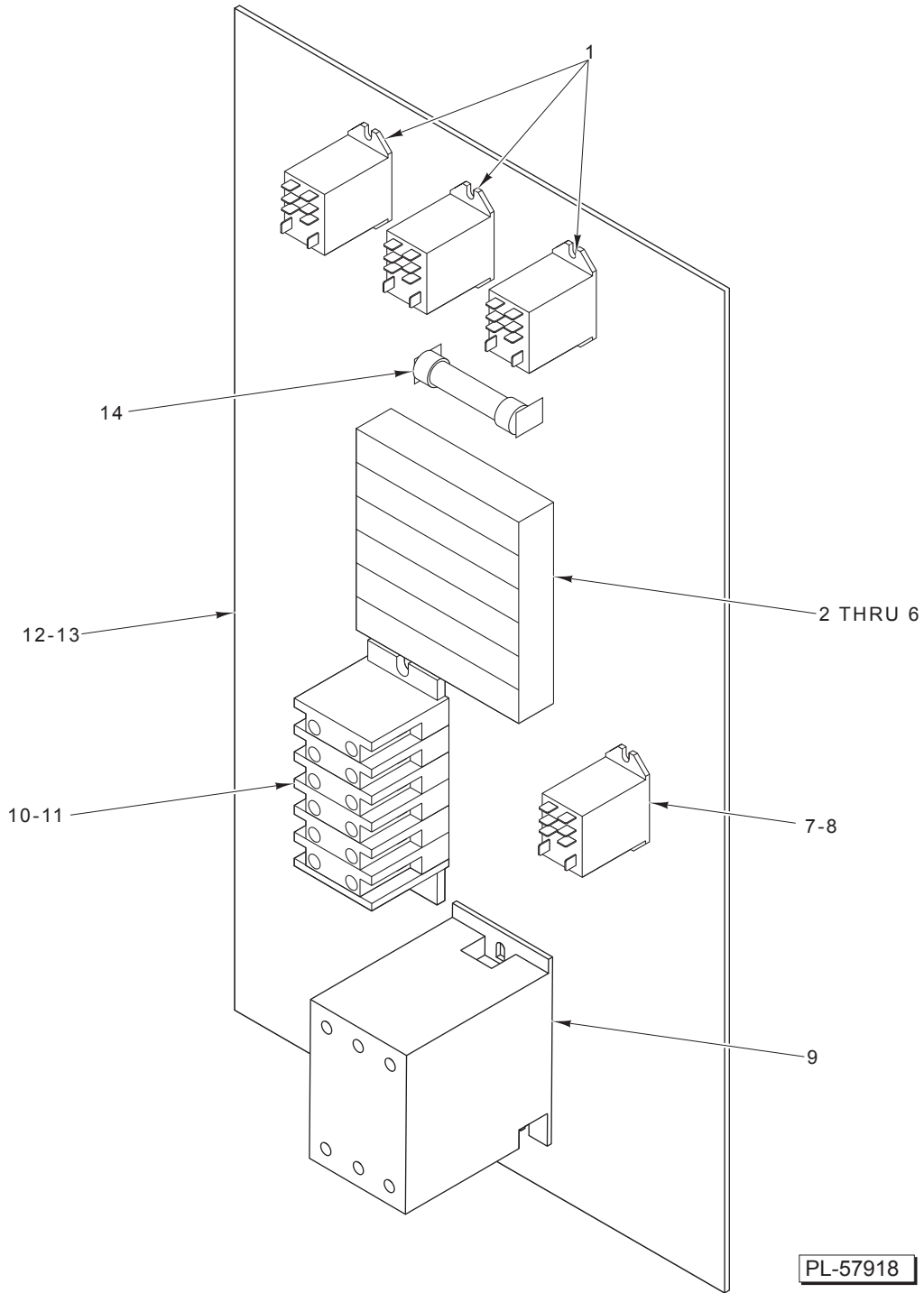
MINI RACK OVEN

HO300E

ML-132177

Table of Contents

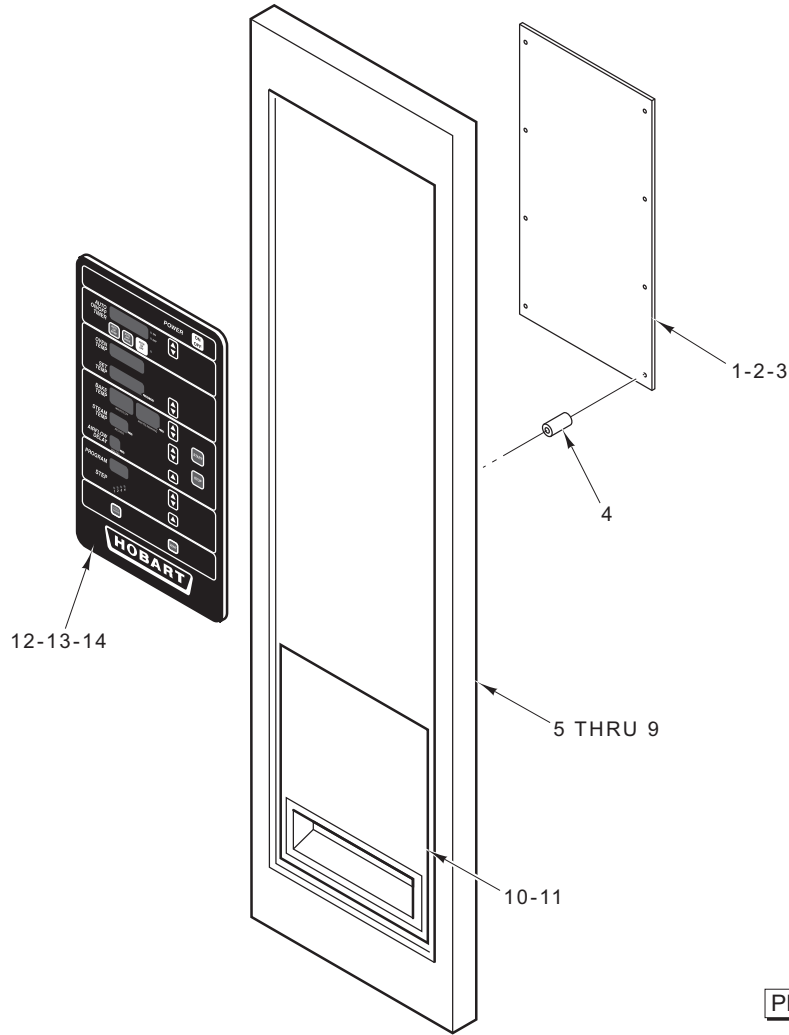
5	ELECTRICAL COMPONENTS
6	ADVANCED CONTROL PANEL ASSEMBLY (CURRENT CONSTRUCTION)
7	CONTROL PANEL ASSEMBLY (PREVIOUS CONSTRUCTION)
9	CABINET UNIT
10	ROTATOR AND RACK ASSEMBLY
13	WATER/STEAM SUPPLY
15	HEATING ELEMENTS AND AIR CIRCULATION SYSTEM



ELECTRICAL COMPONENTS

ELECTRICAL COMPONENTS

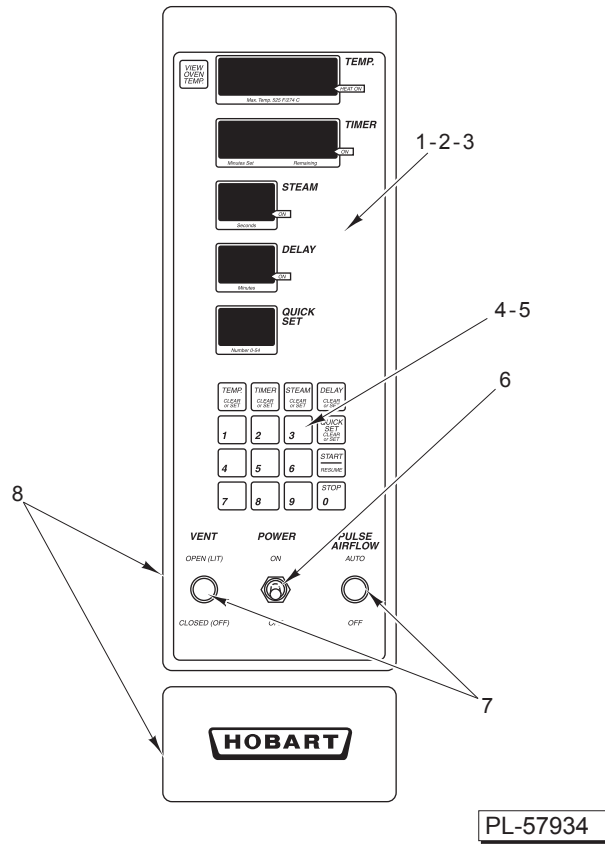
ILLUS.	PART NO.	NAME OF PART	AMT.
PL-57918			
1	01-1000V6-00271	Relay DPDT (1/2 Hp., 120 VAC)	3
2	01-100V10-00234	Terminal – Section (Flat Mount) (Fuseholder White) (600 V.).....	6
3	01-100V10-00238	Fuse (20 Amp., 380 V. Only).....	6
4	01-100V10-00236	Fuse (30 Amp., 208-240/480 V. Only).....	6
5	01-100V10-00232	Fuse Holder (30 Amp.).....	1
6	01-100V10-00235	End – Section (Flat Mount) (600 V.).....	1
7	01-1000V6-00070	Relay DPDT (1/4 Hp., 120 VAC) (Previous Construction).....	1
8	01-1000V6-00271	Relay DPDT (1/2 Hp., 120 VAC) (Current Construction).....	1
9	01-1000V6-00185	Contactactor 3-Pole (60 Amp.)	1
10	01-1000V5-00106	End – Section (Flat Base) (600 V.)	1
11	01-1000V5-00105	Terminal – Section (Flat Base) (600 V.)	6
12	01-1M5387-00001	Plate – Relay Mounting (Machines Built Before 3/27/06)	1
13	01-1M5387-00003	Plate – Mounting (Machines Built On Or After 3/27/06).....	1
14	01-100V10-00219	Fuse – Panel Mount (0.5 Amp.)	1
	01-1M5821-00001	Module – Electric (208-240 V., 3 Ph.) (Machines Built On Or After 3/27/06)	1
	01-1M5821-00003	Module – Electric (480 V., 3 Ph.) (Machines Built On Or After 3/27/06)	1
	01-1000V6-00215	Contactactor (60 Amp, 3-Pole)	1
	01-1000V5-00096	Block – Power Distribution.....	1
	01-1000V5-00231	Cover – Power Distribution Block	1
	01-1000V5-00220	Spacer	AR
	01-1000V5-00166	Bushing – Snap	AR
	01-1000V6-00266	Breaker – CRT/U (63 Amp., 3-Pole) (With 110 V. Under Voltage Breaker)	1
	01-1000V6-00269	Breaker – CRT/U (35 Amp., 3-Pole) (With 110 V. Under Voltage Breaker)	1
	01-1000V6-00261	Protector – Supplementary (120 V.) (With 110 V. Under Voltage Breaker).....	1
	01-1M5567-00001	Kit – Electric Module (208/240 V.) (From Heat Relay To Contactactor).....	1
	01-1M5567-00002	Kit – Electric Module (380 V., 50 Hz.) (From Heat Relay To Contactactor)	1
	01-1M5567-00003	Kit – Electric Module (480 V.) (From Heat Relay To Contactactor).....	1
	01-1M5963-00001	Kit – Electric Module Retrofit (480V.) (Adding Under Voltage Breaker) (Machines Built On Or After 12/01/2004 With 480 V. Elements)	
		(Replaces Element Fuses)	1
	01-1M5963-00002	Kit – Electric Module Retrofit (208/240 V.) (Adding Under Voltage Breaker).....	1
	01-1M5963-00003	Kit – Electric Module Retrofit (480 V.) (Adding Under Voltage Breaker) (Machines Built Before 12/01/2004 With 240 V. Elements)	1



**ADVANCED CONTROL PANEL ASSEMBLY
(CURRENT CONSTRUCTION)**

ILLUS.	PART NO.	NAME OF PART	AMT.
	PL-57933		
1	01-100V16-0565E	PC Board Assy. (W/V16-759).....	1
2	01-100V16-00759	Chip – EPROM	1
3	01-100V23-00F10	Fuse (1 Amp., 250 V.)	1
4	01-1000V5-00164	Spacer	8
5	01-1M4269-00001	Control Door Weldment (Incls. Items 6 & 7)	1
6	01-1M4386-00001	Hinge	1
7	01-1M4386-00002	Hinge	1
*8	01-100V16-00404	Gasket – Control Door (Machines Built Before 1/18/06).....	3 In.
*9	01-100V21-00092	Gasket – Control Door (Machines Built On Or After 1/18/06)	3 In.
10	01-1M4186-0001E	Door – Access Assy. (For Breaker).....	1
11	01-1000V5-00164	Spacer	4
12	01-1M5389-00004	Panel – Control (Incls. Item 14) (Machines Built Before 3/26/06).....	1
13	01-1M5389-00006	Panel – Control (Incls. Item 14) (Machines Built On Or After 3/26/06)	1
14	01-100V16-0580H	Label – Advanced Controls	1
	01-1M5390-00004	Control Door Assy. (Incls. Items 1, 4 thru 7, 9, 12, & 14) (Machines Built Before 3/26/06)	1
	01-1M5390-00006	Control Door Assy. (Incls. Items 1, 4 thru 7, 9, 13, & 14) (Machines Built On Or After 3/26/06)	1

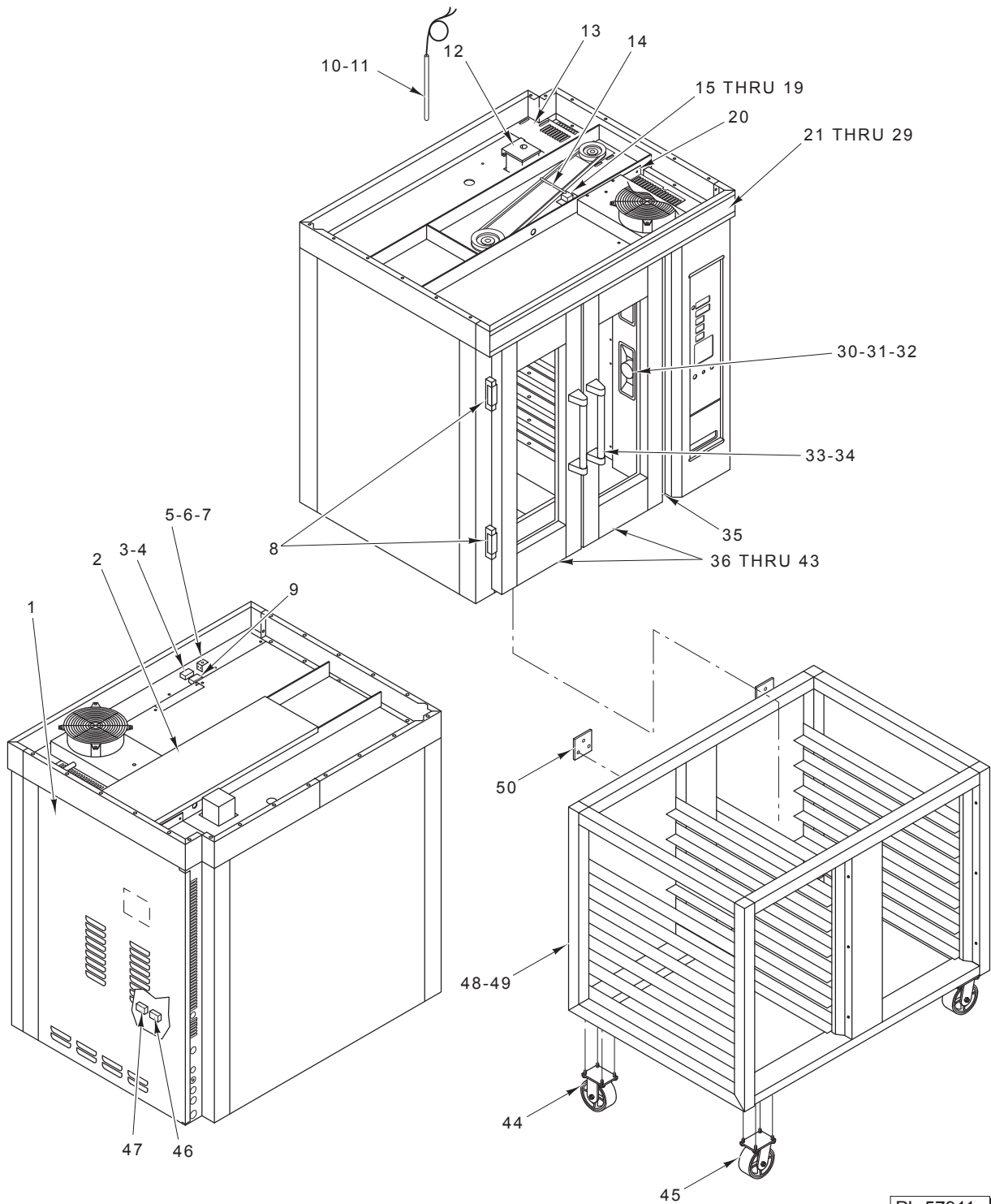
* Sold Per Inch



PL-57934

**CONTROL PANEL ASSEMBLY
(PREVIOUS CONSTRUCTION)**

ILLUS.	PART NO.	NAME OF PART	AMT.
PL-57934			
1	01-1M4703-00001	Buzzer Assy.	1
2	01-1M5377-00007	Kit – Advanced Controls (Upgrade)	1
3	01-1M5377-00008	Kit – Advanced Controls (Upgrade) (With Advanced Non Cool Down Controls)	1
4	01-1M2899-00001	Kit – Keypad Replacement	1
5	01-1M2429-00001	Retainer – Key Pad.....	1
6	01-1000V6-00151	Switch – Toggle.....	1
7	01-1000V6-00183	Switch – Push-Button (6 V., LED).....	2
8	01-100V16-0493H	Label – Control	1



PL-57911

CABINET UNIT

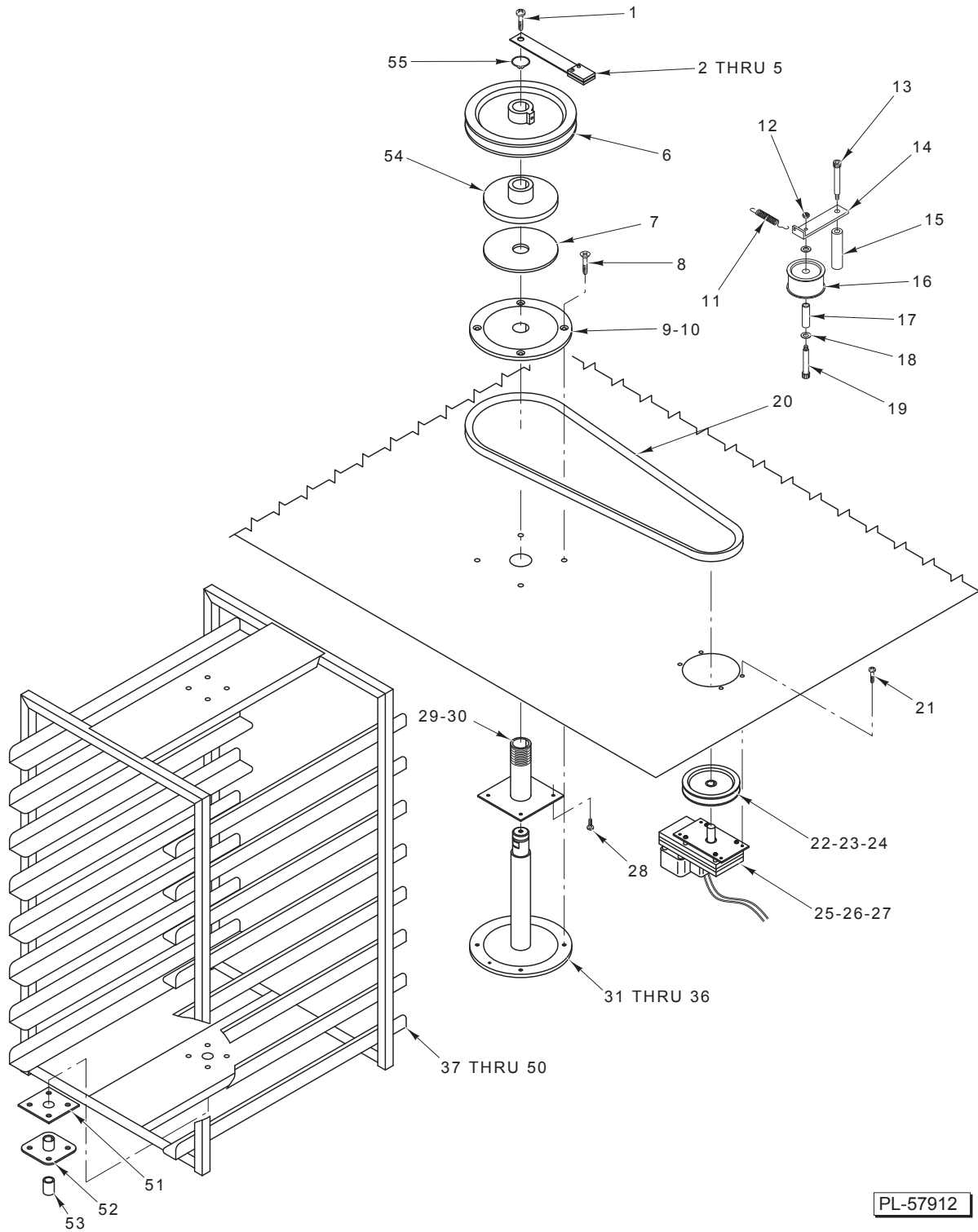
CABINET UNIT

ILLUS. PL-57911	PART NO.	NAME OF PART	AMT.
1	01-1M4198-00001	Skin – RH Outer (Service)	1
2	01-1M4221-00001	Cover – Rotator	1
3	01-1000V6-00198	Switch – Door Magnetic & Rotation Switch (Machines Built Before 4/09/08)	1
4	01-1M5816-00101	Switch Assy. – Door Magnet (Machines Built On Or After 4/09/08)	1
5	01-1M4844-00002	Bracket – Switch (LH)	1
6	01-1M4844-00001	Bracket – Switch (RH)	1
7	01-1M3384-00002	Bracket – Mounting Switch	1
8	01-1A2836-00001	Kit – Hinge Retrofit	1
9	01-1M5548-00001	Block – Terminal Door Switch	1
10	01-1A1828-00001	Kit – Thermocouple	1
11	01-100V17-00279	Fitting – Compression 1/4 NPTM x 3/16	1
12	01-1M4147-00001	Cap – Vent	1
13	01-1M4202-00001	Cover – Rear Outer	1
14	01-1M3382-00001	Rod – Vent Actuator	1
15	01-1M3382-00002	Solenoid – Vent Assy.	1
16	01-1M3374-00001	Bracket – Mounting Solenoid	1
17	01-1000V2-00034	Coupling – Motor (Machines Built On Or After Serial Number 24-1051517)	1
18	01-1M6055-00001	Vent Assy. – Motor (Machines Built On Or After Serial Number 24-1051517)	1
19	01-1M6055-00101	Motor Assy. (Machines Built On Or After Serial Number 24-1051517)	1
20	01-1M4203-00001	Cover – Front Outer	1
21	01-1M3340-00001	Trim – Left (Machines Built Before 5/16/01)	1
22	01-1M3341-00001	Trim – Right (Machines Built Before 5/16/01)	1
23	01-1M4732-00001	Trim – Front (Machines Built Before 5/16/01)	1
24	01-1M3480-00001	Trim – Rear (Machines Built Before 5/16/01)	1
***25	01-1M4459-00003	Panel – Trim Top (LH)	1
***26	01-1M4459-00004	Panel – Trim Top (RH)	1
***27	01-1M4459-00005	Panel – Trim (Back)	1
28	01-1M4656-00001	Panel – Trim (Front) (Machines Built On Or After 5/16/01)	1
29	01-100V16-00531	Logo – Hobart (Machines Built On Or After 5/16/01)	1
30	01-1000V7-00027	Lamp – Oven Assy. (Machines Built On Or After 6/6/03)	2
31	01-1000V7-00028	Bulb (40 W.) Appliance Type	1
32	01-1M3937-00001	Light – Weldment (Machines Built Before 6/6/03)	1
33	01-100V18-00123	Support – Handle (One Pair)	1
34	01-1M3952-00001	Tube – Handle	2
35	01-1M5398-00001	Kit – Gasket Loading Doors	1
36	01-1M3445-0002L	Door Assy. (LH) (Incls. Items 8, 33, & 34)	1
37	01-1M3445-0002R	Door Assy. (RH) (Incls. Items 8, 33, & 34)	1
38	01-1M4716-00002	Gasket – Door (Center)	2
*39	01-100V21-0155A	Door Gasket – Woven	12 Ft.
40	01-1M5259-00001	Clamp – Gasket (LH)	1
41	01-1M5259-00002	Clamp – Gasket (RH)	1
42	01-1M5259-00004	Clamp – Gasket (Bottom)	1
43	01-1M5260-00001	Clamp – Gasket (Top)	1
44	01-100V14-00047	Caster – Rigid Plate (With Brake)	2
45	01-100V14-00046	Caster – Swivel Plate	2
46	01-1M5548-00003	Block – Terminal (34/32)	1
47	01-1M5548-00002	Block – Terminal (120 V.)	1
**48	01-1M4533-00012	Stand Assy. (12-Pan Capacity) (Incls. Items 44 & 45)	1
**49	01-1M3457-00016	Stand Assy. (16-Pan Capacity) (Incls. Items 44 & 45)	1
50	01-1M3475-00001	Retainer	2
	01-1M5860-00001	Thermostat Assy. With Stuffing	1
	01-1M5832-00001	Cover – Wiring	1
	01-1M5575-00001	Cord – Power (120 V.) (Black 8 Ft.)	1
	01-100V18-00121	Magnet (Door Switch)	2
	01-1M5760-00001	Bracket – Magnet Mount (Door Switch Magnet)	2
	01-1M5393-00002	Kit – Airflow	1
	01-1000V4-00121	Insert – Nut 10-32 (For Door Gasket Retainer)	AR
	01-1M5379-00001	Shutter – Airflow (Back LH)	1
	01-1M5379-00002	Shutter – Airflow (Front RH)	4
	01-1P1465-00001	Hinge – Lift Off	4
	01-1P1464-00001	Bushing – Hinge Mounting (For 01-1P1465)	4

* Sold Per Foot.

** Optional Part.

***Use for complete trim replacement on machines with serial numbers prior to serial number 24-1046461.



ROTATOR AND RACK ASSEMBLY

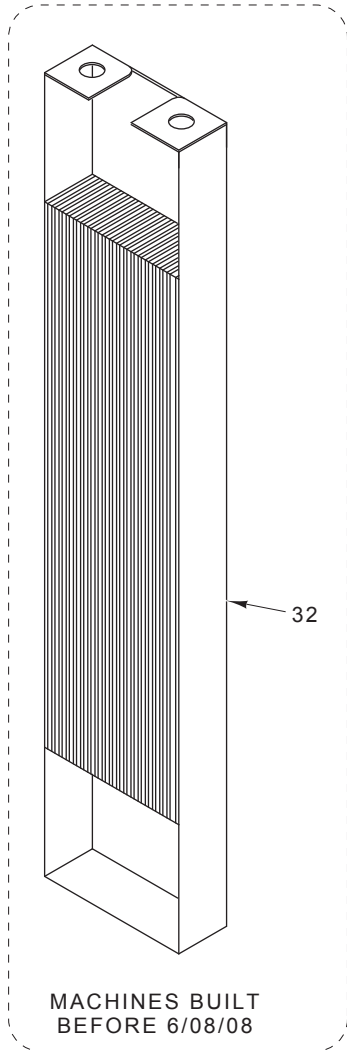
ILLUS.	PART NO.	NAME OF PART	AMT.
PL-57912			
1	-	Screw 1/4-20 x 1/2 Truss Hd.....	1
2	01-1000V6-00203	Actuator – Magnet (Machines Built Before 4/13/07).....	1
3	00-175999	Actuator – Magnetic (Machines Built On Or After 4/13/07).....	1
4	01-1M3383-00001	Plate – Magnet Mounting.....	1
5	-	Screw 6-32 x 3/8 Pan Hd.....	2
6	01-1000V3-00090	Sheave.....	1

ROTATOR AND RACK ASSEMBLY (CONT.)

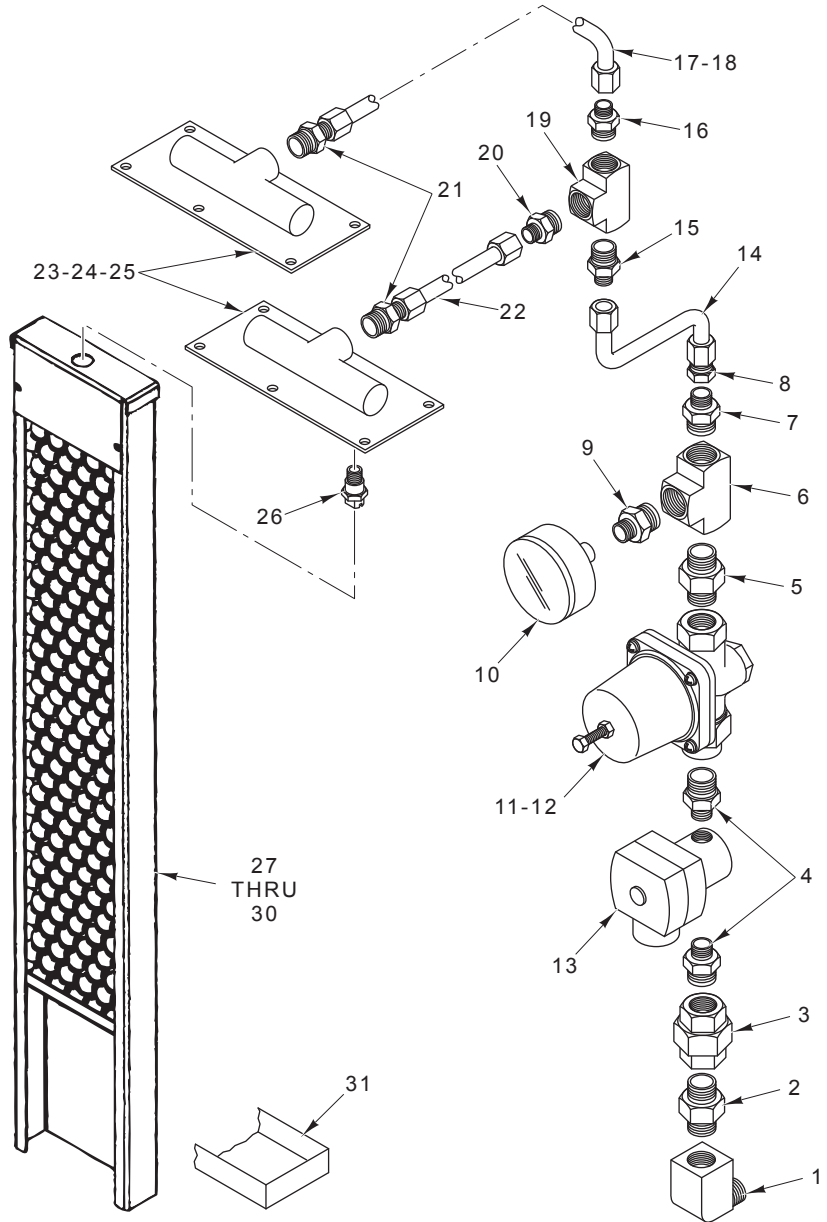
ILLUS. PL-57912	PART NO.	NAME OF PART	AMT.
7	01-1000V0-00071	Bearing – Rotator Thrust.....	1
8	-	Screw ¹ / ₄ -20 x ¹ / ₂ Truss Hd.....	4
**9	01-1M3358-00003	Disk – Thrust (With Removable Rack).....	1
*10	01-1M3380-00002	Disc – Rotator Clutch (Without Removable Rack).....	1
11	01-100V20-00009	Spring – Tension.....	1
12	-	Nut ⁵ / ₁₆ -18 Hex (Nylock).....	1
13	01-1000V4-00064	Bolt – Shouldered ¹ / ₂ x ¹ / ₂ Allen Hex Hd.....	1
14	01-1M3527-00001	Bracket – Rotator Idler.....	1
15	01-1M3526-00001	Tube – Rotator Idler.....	1
16	01-1M3528-00001	Pulley – Rotator Idler.....	1
17	01-1000V0-00038	Bearing – Journal.....	1
18	-	Washer ³ / ₈ (Black).....	3
19	01-1000V4-00134	Bolt – Shouldered ³ / ₈ x ³ / ₄ Allen Hex Hd.....	1
20	01-1000V3-00093	V-Belt.....	1
21	-	Screw 10-32 x ¹ / ₂ Truss Hd.....	8
22	01-1M3389-00001	Bushing – Rotator.....	1
23	01-1000V3-00106	Sheave – Die Cast (³ / ₈ In. Bore).....	1
24	01-1000V3-00091	Sheave (¹ / ₂ In. Bore).....	1
25	01-1M3360-00001	Plate – Rotator Drive.....	1
26	01-1000V8-00078	Motor – Gear-Shaded Pole (6 RPM).....	1
27	01-1M6053-00001	Motor – Gear Mini Rack (2 ¹ / ₂ In. Blade Assy.).....	1
28	-	Screw 10-32 x ¹ / ₂ Truss Hd.....	4
*29	01-1M3363-00002	Housing – Upper Rotator (Without Removable Rack).....	1
**30	01-1M3363-00003	Housing – Upper Rotator (With Removable Rack).....	1
31	01-1M4015-00001	Spacer.....	1
*32	01-1M3365-00002	Shaft – Rotator (Without Removable Rack).....	1
**33	01-1M3365-00003	Shaft – Rotator (With Removable Rack).....	1
34	01-1000V0-0072A	Bearing – Rotator (Upper).....	1
*35	01-1000V1-00076	Collar – Two-Piece Set (⁵ / ₈ In.) (With Removable Rack).....	1
36	01-1000V1-00043	Pin – Cotter.....	AR
*37	01-1M5256-00005	Rack – End Load (5-Pan) (Non-Removable).....	1
*38	01-1M3954-00008	Rack – End Load (8-Pan) (Non-Removable).....	1
*39	01-1M3954-00006	Rack – End Load (6-Pan) (Non-Removable).....	1
*40	01-1M3954-00010	Rack – End Load (10-Pan) (Non-Removable).....	1
*41	01-1M3433-00008	Rack – Side Load (8-Pan) (Non-Removable).....	1
*42	01-1M3433-00006	Rack – Side Load (6-Pan) (Non-Removable).....	1
*43	01-1M5271-00012	Rack – End Load (12-Pan) (Non-Removable).....	1
**44	01-1M5965-00005	Rack – End Load (5-Pan) (Removable).....	1
**45	01-1M5965-00006	Rack – End Load (6-Pan) (Removable).....	1
**46	01-1M5965-00008	Rack – End Load (8-Pan) (Removable).....	1
**47	01-1M5965-00010	Rack – End Load (10-Pan) (Removable).....	1
**48	01-1M5965-00012	Rack – End Load (12-Pan) (Removable).....	1
**49	01-1M5967-00006	Rack – Side Load (6-Pan) (Removable).....	1
**50	01-1M5967-00008	Rack – Side Load (8-Pan) (Removable).....	1
51	01-1M3366-00001	Shaft – Lower Rotator.....	1
52	01-1M3364-00002	Bearing – Lower Rotator.....	1
53	01-1000V0-0072B	Bearing – Rotator (Lower).....	1
*54	01-1M3380-00002	Disc – Rotator Clutch (Without Removable Rack).....	1
*55	01-1000V1-00029	O-Ring – Snap (Without Removable Rack).....	1
	01-1M3525-00001	Pulley – Idler (Incls. Items 13 thru 19).....	1
	01-100V17-00572	Grip – Cord (Aluminum).....	1
	01-1M6104-00101	Cover – Stepper Motor.....	1
	01-1M6104-00102	Harness – Stepper Motor.....	1
	01-1M3375-00001	Bracket – Vent.....	1
	01-100V21-0094A	Liner – Cement Fiber Tray (Stone Baking).....	1
	01-1M6099-005EL	Kit – Retrofit To Removable Rack (5-Pan) End Load.....	1
	01-1M6099-006EL	Kit – Retrofit To Removable Rack (6-Pan) End Load.....	1
	01-1M6099-008EL	Kit – Retrofit To Removable Rack (8-Pan) End Load.....	1
	01-1M6099-010EL	Kit – Retrofit To Removable Rack (10-Pan) End Load.....	1
	01-1M6099-012EL	Kit – Retrofit To Removable Rack (12-Pan) End Load.....	1
	01-1M6099-006SL	Kit – Retrofit To Removable Rack (6-Pan) Side Load.....	1
	01-1M6099-008SL	Kit – Retrofit To Removable Rack (8-Pan) Side Load.....	1

* Use on machines with non-removable racks built on or before serial number 24-1050848.

** Use on machines with removable racks built after serial number 24-1050848.



PL-56229

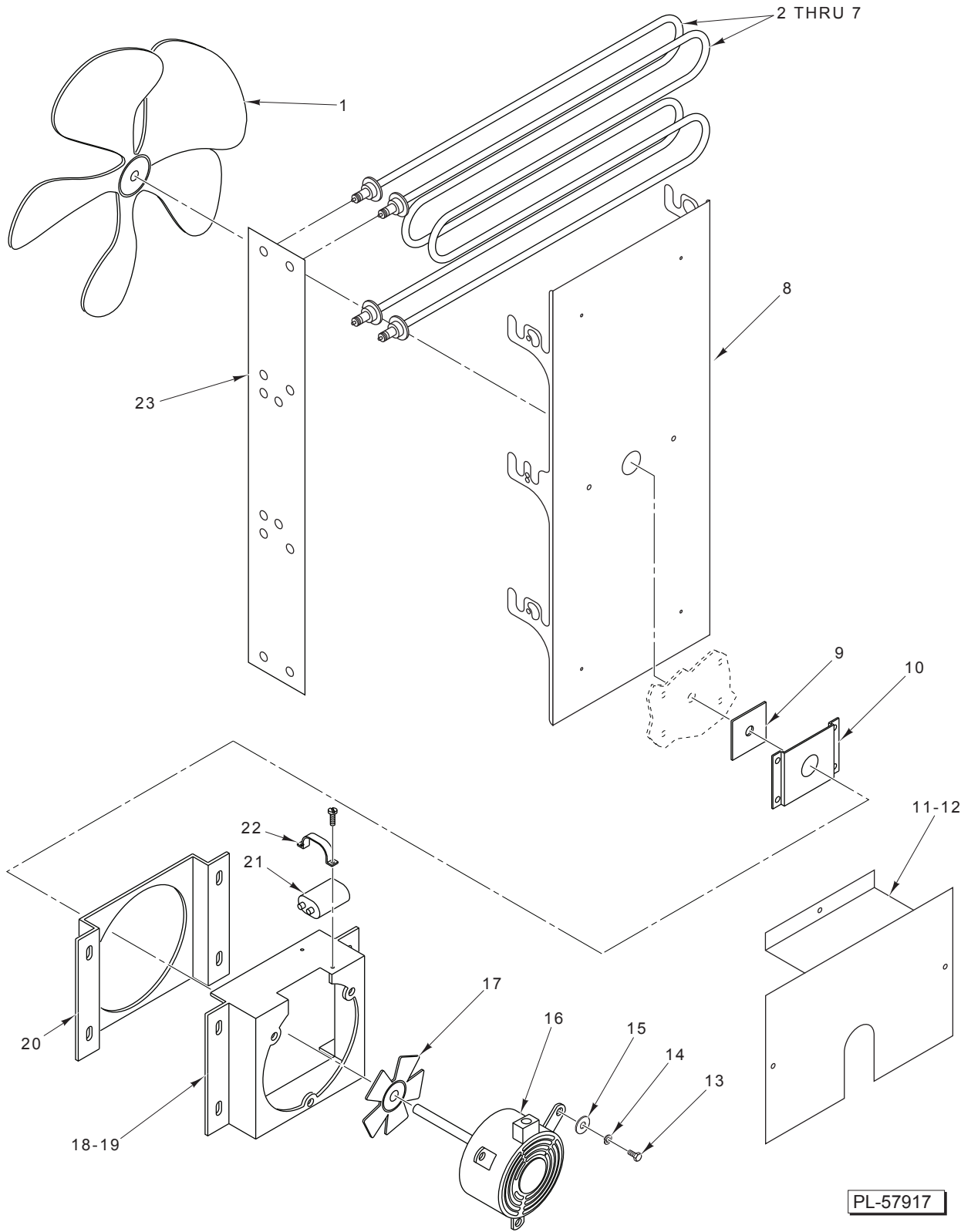


WATER/STEAM SUPPLY

WATER/STEAM SUPPLY

ILLUS.	PART NO.	NAME OF PART	AMT.
	PL-56229		
1	01-100V17-00322	Tube – Ell 1/2 In. (Brass).....	1
2	01-100V17-00351	Pipe – Hex (Brass).....	1
3	01-100V17-00286	Union 1/2 (Brass).....	1
4	01-100V17-00424	Pipe – Close 1/4 (Brass).....	2
5	01-100V17-00351	Pipe – Hex (Brass).....	1
6	01-100V17-00312	Tee 1/2 (Brass).....	1
7	01-100V17-00229	Bushing – Reducer (Brass).....	1
8	01-100V17-00341	Fitting – Straight (Brass).....	1
9	01-100V17-00229	Bushing – Reducer (Brass).....	1
10	01-100V17-00204	Gauge – Pressure (100 PSI).....	1
11	01-100V17-00330	Regulator – Water Pressure (Machines Built Before 5/31/06).....	1
12	01-100V17-00566	Regulator – Flow (Machines Built On Or After 5/31/06).....	1
13	01-100V17-00075	Valve – Solenoid.....	1
14	01-100V17-00027	Tubing – Copper 3/8 x 5 1/2 Lg.....	1
15	01-100V17-00162	Bushing 3/8 x 1/4 (Brass).....	1
16	01-100V17-00272	Fitting – Straight 3/8 (Brass).....	1
17	01-1M5547-00001	Tube – Steam Generator (Machines Built Before 6/11/04).....	1
18	01-1M5547-00003	Tube – Steam Generator (Machines Built On Or After 6/11/04).....	1
19	01-100V17-00261	Tee – Female 3/8 (Brass).....	1
20	01-100V17-00272	Fitting – Straight 3/8 (Brass).....	1
21	01-100V17-00272	Fitting – Straight 3/8 (Brass).....	2
22	01-1M5547-00002	Tube – Steam Generator.....	1
23	01-1M4272-00001	Steam Manifold Assy. (Incls. Items 21 & 26) (Machines Built Before 6/08/08).....	2
24	01-1M4272-00002	Manifold – Steamer Assy. (Machines Built On Or After 6/08/08).....	2
*25	01-100V21-0039A	Tape – Silicone Gasket.....	20 In.
26	01-100V17-00487	Nozzle – Spray.....	2
27	01-1M6004-00001	Steamer Assy. (Machines Built On Or After 6/08/08).....	1
28	01-1M6004-00101	Retainer – Steamer Balls.....	1
29	01-1M6004-00102	Retainer – Steamer Bottom.....	1
30	01-1M6004-00103	Cover – Steamer Assy.....	1
31	01-1M4411-00002	Pan – Auxiliary Drain.....	1
32	01-1M4274-00001	Steamer Assy. (Machines Built Before 6/08/08).....	2
	01-1M3434-00001	Water Supply Assy. (Incls. Items 1 thru 11 & 13) (Machines Built Before 4/5/05).....	1
	01-1M5664-00001	Water Supply Assy. (Incls. Items 15, 16, 20, & 21).....	1
	01-1M3434-00003	Water Supply (Incls. Items 1 thru 5, 7, 8, 9, 12, & 13).....	1
	01-100V15-00057	Grommet.....	1
	01-1M5196-00001	Cover Plate – Drain Hole.....	1

* Sold Per Inch.



HEATING ELEMENTS AND AIR CIRCULATION SYSTEM

HEATING ELEMENTS AND AIR CIRCULATION SYSTEM

ILLUS. PL-57917	PART NO.	NAME OF PART	AMT.
1	01-1000V8-00094	Blade – Fan Circulation	1
2	01-100V10-00207	Element – Heating (240 V.) W-Shape (Current Construction)	6
3	01-100V10-00208	Element – Heating (208 V.) W-Shape (Current Construction)	6
4	01-100V10-00246	Element – Heating (480 V.) W-Shape (Current Construction)	6
5	01-100V10-00155	Element – Heating (208 V.) U-Shape (Previous Construction)	6
6	01-100V10-00156	Element – Heating (240 V.) U-Shape (Previous Construction)	6
7	01-1000V5-00029	Terminal – Bare Ring Tongue #10	12
8	01-1M4354-00001	Support – Element	1
9	01-1M3343-00002	Seal – Fan	1
10	01-1M3342-00001	Retainer – Seal	1
11	01-1M4352-00001	Cover (Machines Built Before 4/18/08)	1
12	01-1M4352-00002	Cover – Insulation (Machines Built On Or After 4/18/08)	1
13	-	Bolt 1/4-20 x 1/2 Hex Hd.	3
14	-	Lockwasher 1/4	3
15	-	Washer 1/4	3
16	01-1M4881-00001	Motor – Circulation	1
17	01-1000V8-00097	Blade – Fan (Motor)	1
18	01-1M4390-00002	Base – Motor Bracket	1
19	01-1000V4-00122	Insert – Threaded	3
20	01-1M4447-00002	Channel – Fan Inlet	1
21	01-1A2141-00001	Kit – Rotator Capacitor	1
22	01-1000V8-0049D	Capacitor Mounting Bracket	1
23	01-1M4356-00002	Plate – Element Mounting	1
	01-1M4446-00001	Circulation Motor Assy. (Incls. Items 13 thru 22)	1
	01-1M5268-00001	Shutter – Front Bottom	1
	01-1M5268-00002	Shutter – Front Top	1
	01-1M5379-00001	Shutter – Airflow	1
	01-1M4208-00001	Shutter – Rear Wall (Machines Built Before 7/28/03)	1
	01-1M4214-00001	Shutter – Rear Side Panel (Machines Built Before 7/28/03)	1
	01-1M4268-00001	Panel – Pressure Weldment (Machines Built Before 7/28/03)	1
	01-1M5593-00001	Panel – Pressure Assy.	1
	01-1M4355-00002	Plate – Element Locking	1
	01-1000V6-00118	Thermostat – High Limit	1

