



CATALOG OF REPLACEMENT PARTS

ELECTRIC PRESSURE FRYERS



- | | |
|----------|------------------------|
| ML-43838 | HP15E |
| ML-43839 | HP15EH |
| ML-43863 | HP15EF |
| ML-43864 | HP15EHF |
| ML-43851 | HP15EF (PROGRAMMABLE) |
| ML-43852 | HP15EHF (PROGRAMMABLE) |

PRIOR ML'S COVERED IN THIS MANUAL:

- | | |
|----------|---------|
| ML-43840 | HP15EF |
| ML-43841 | HP15EHF |

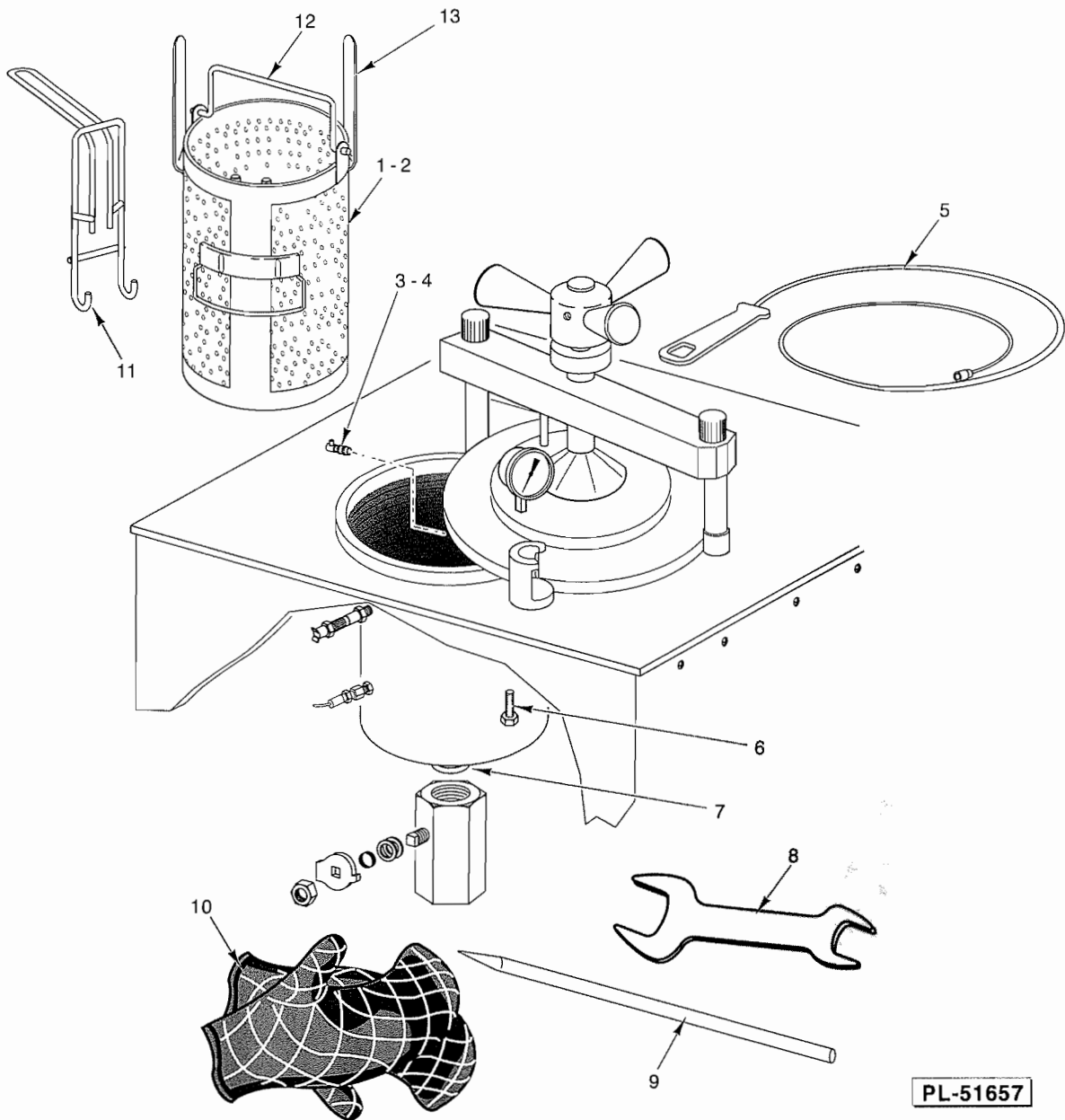
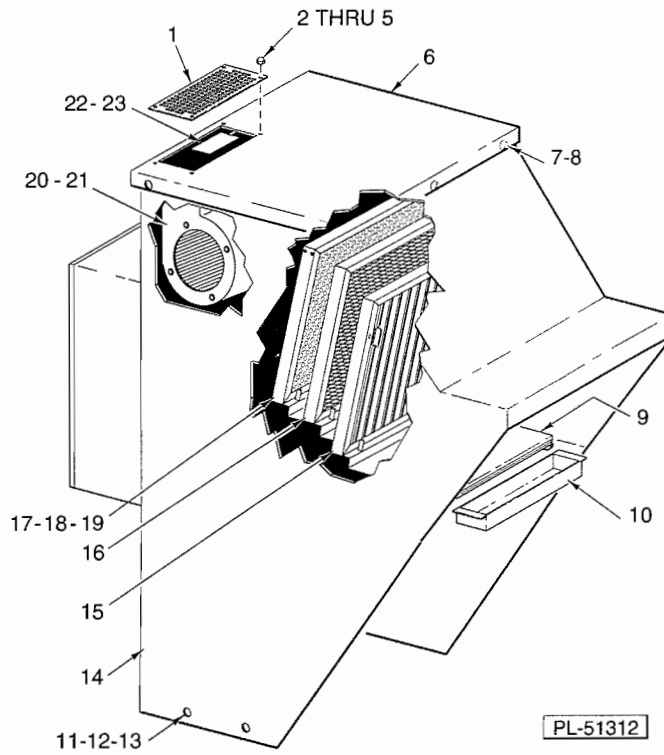


TABLE (TOP VIEW)

TABLE (TOP VIEW)

ILLUS. PL-51657	PART NO.	NAME OF PART	AMT.
1	360853-66	Basket (Use With Item 11) (Shown)	1
2	360767	Basket	1
3	360744	Exhaust (With "O" Rings)(Incls.item 4)	1
4	67500-4	"O" Ring	2
5	360757	Scraper - Flexible	1
6	SC-37-73	Cap Screw $\frac{3}{8}$ -16 x 1 Hex Hd.	3
7	360630	Nipple 1" Aluminum	1
8	360756	Wrench	1
9	360786	Cleaner - Drain (Wood)	1
10	360755	Gloves (Pair)	1
11	360852	Handle - Basket	1
12	360697	Handle - Basket	1
13	360813	Crumb Catcher	1



HOOD & FILTER

HOOD & FILTER

ILLUS. PL-51312	PART NO.	NAME OF PART	AMT.
1	360853-133	Guard - Blower	1
2	SC-53-41	Mach. Screw ¼-20 x ½ Truss Hd. SST	4
3	WL-6-17	Lockwasher ¼ Medium	4
4	NS-46-38	Mach. Nut ¼-20 Hex	4
5	NS-25-4	Acorn Nut ¼-20	4
6	360853-132	Cap - Hood	1
7	SC-66-21	Mach. Screw 10-32 x ¾ Truss Hd.	10
8	WL-8-13	Lockwasher 10 Internal Shakeproof	10
9	360853-2	Manifold - Exhaust	1
10	360853-4	Cup - Grease	1
11	SC-119-66	Mach. Screw 10-32 x 1 Truss Hd.	8
12	NS-11-23	Mach. Nut Hex 10-32 SST	8
13	WL-8-13	Lockwasher 10 Internal Shakeproof	8
14	360853-136	Hood - Housing Straight Side	1
15	360853-7	Filter - Grease	1
16	360853-8	Filter - Air	1
17	360853-9	Filter - Charcoal (Refillable)	1
18	360853-129	Switch - Filter Interlock	3
19	360853-130	Actuator - Filter Switch	3
20	360853-139	Blower - Dual Tap (3 Phase)	1
21	360853-138	Blower (1 Phase)	1
22	360853-141	Switch - Blower	2
23	360853-140	Actuator - Blower Switch	1

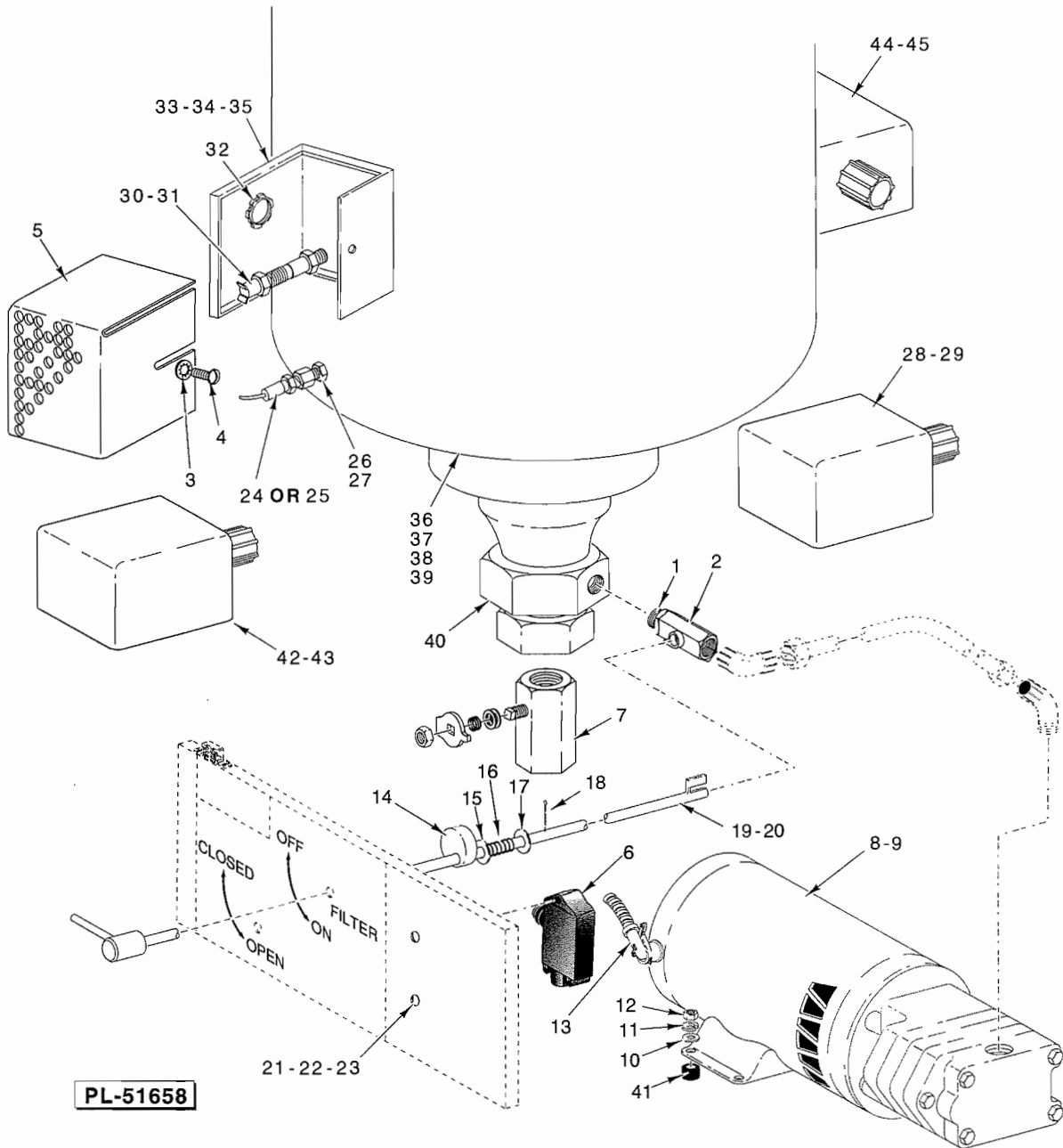
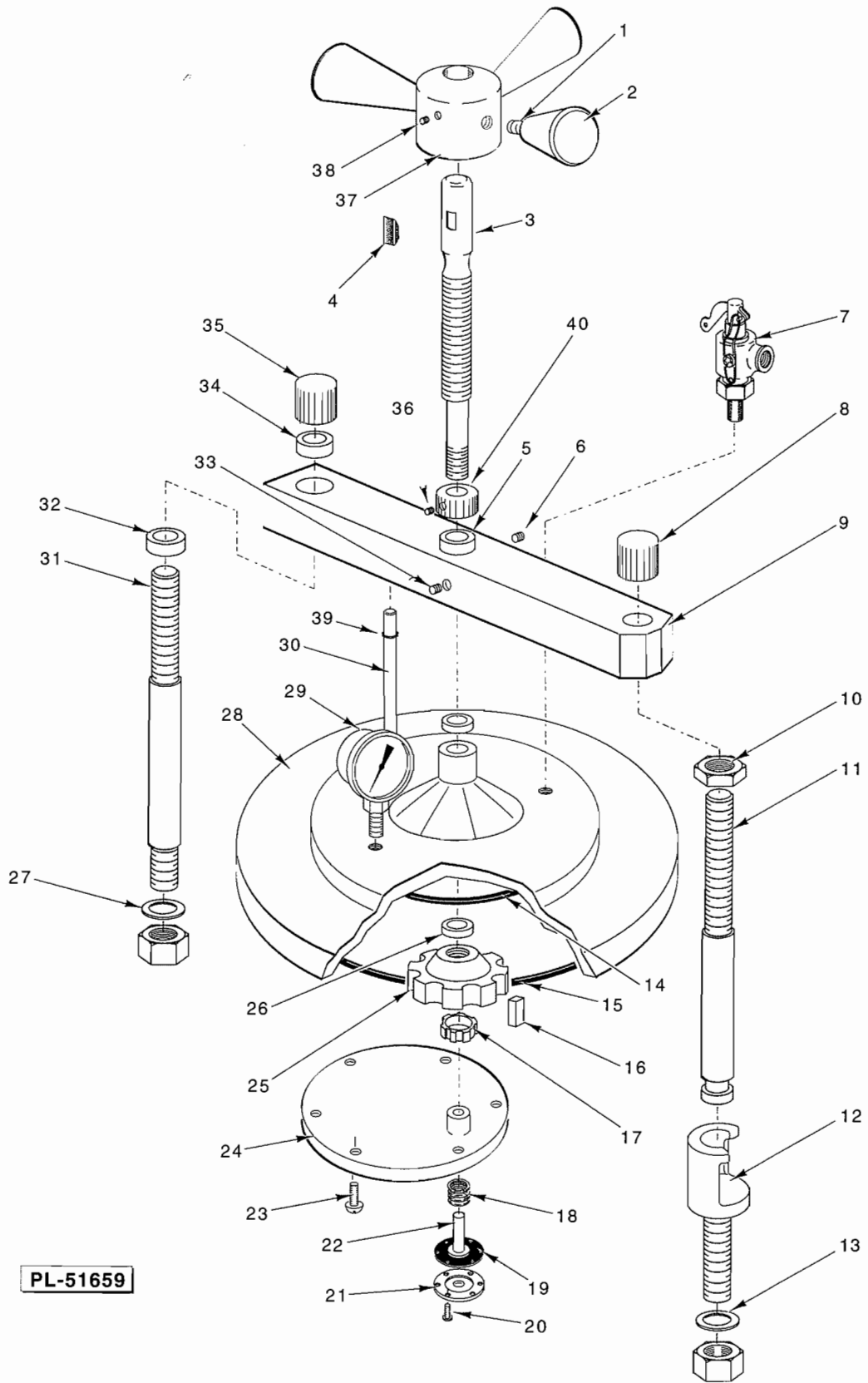


TABLE INTERIOR COMPONENTS

TABLE INTERIOR COMPONENTS

ILLUS. PL-51658	PART NO.	NAME OF PART	AMT.
1	360853-41	Nipple 1/2 N.P.T. Closé	1
2	360853-42	Valve 1/2 Ball	1
3	WL-8-1	Lockwasher 6 Internal Shakeproof	1
4	SC-53-38	Mach. Screw 6-32 x 1/4 Truss Hd.	1
5	360751	Cover - Limit Switch	1
6	360853-71	Switch - Filter (On/Off)	1
7	360686	Valve - Drain Teflon Ball	1
8	360830-34	Motor & Pump Assy. (1 Phase)	1
9	360853-95	Motor & Pump Assy. (3 Phase)	1
10	WS-17-6	Washer	4
11	WL-6-17	Lockwasher 1/4 Medium	4
12	NS-46-38	Mach. Nut 1/4-20 Hex	4
13	FE-2-52	Connector - Conduit 3/8 TS 90 Deg.	1
14	360853-70	Cam - Switch	1
15	WS-30-7	Washer	1
16	360753	Spring	1
17	WS-30-7	Washer	1
18	PC-5-9	Cotter Pin 3/32	1
19	360853-69	Shaft - Switch Cam Assy.(Includes Handle)	1
20	WS-29-29	Washer 5/8 x 7/8 x 1/32 Thk.	1
21	SC-119-66	Mach. Screw 10-32 x 1 Truss Hd.	2
22	NS-11-23	Mach. Nut Hex 10-32 SST	2
23	WL-8-13	Lockwasher 10 Internal Shakeproof	2
24	360652	Thermocouple - Sensor (Type J)(Split Ring or Bare Wire Termination)	1
*25	358622	Temperature Probe (Molex Connector)	1
26	360853-68	Bushing 3/8 x 1/8 Std. Blk.	1
27	360776	Adapter (1/4 O.D. x 1/8 MPT)	1
28	360853-111	Support - Conduit Bushing (3 Phase)	1
29	360658	Cover - Terminal Box (3 Phase)	1
30	360636	Switch - Safety Limit	1
31	360853-67	Bushing - Limit Switch	1
32	FE-6-4	Lock Nut 3/8	1
33	360754	Bushing - Mount	1
34	SC-118-23	Mach. Screw 8-32 x 1/4 Pan Hd. SST	2
35	WL-8-7	Lockwasher 8 Internal Shakeproof	2
36	360780	Kettle (110/208-220 V., 1 Phase)	1
37	360781	Kettle (120/240 V., 1 Phase)	1
38	360853-97	Kettle (208 V., 3 Phase)	1
39	360853-98	Kettle (240 V., 3 Phase)	1
40	360853-40	Fitting - Kettle (Hex Nut)	1
41	360853-45	Motor Mount 3/4 x 1 Rubber	4
42	360741	Support - Conduit Bushing (1 or 3 Phase)	1
43	360658	Cover - Terminal Box (1 or 3 Phase)	1
44	360853-112	Support - Conduit Bushing (3 Phase)	1
45	360853-113	Cover - Terminal Box (3 Phase)	1

* Present Style.

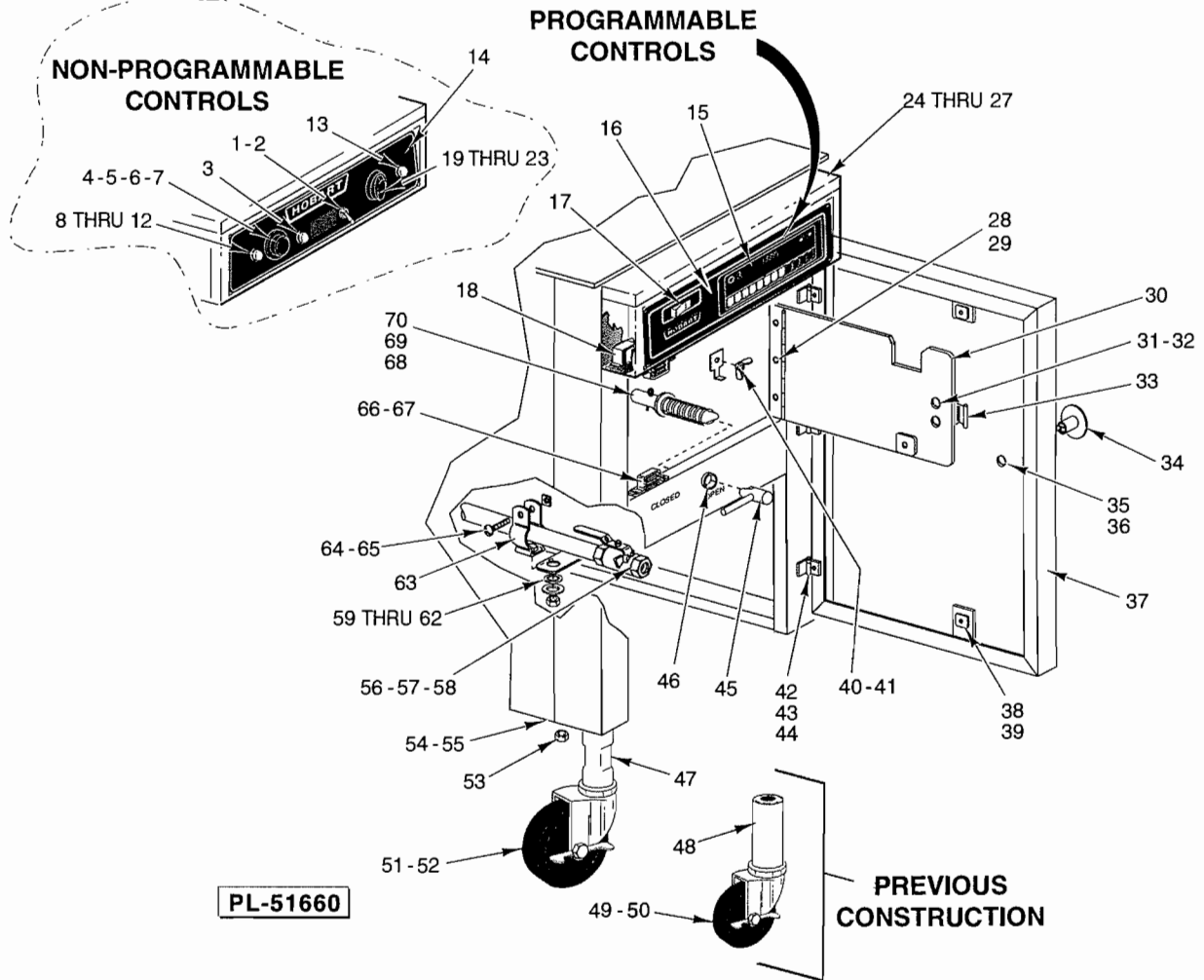


PL-51659

LID ASSEMBLY

LID ASSEMBLY

ILLUS. PL-51659	PART NO.	NAME OF PART	AMT.
1	360661	Stud - Aluminum Handle	3
2	360660	Handle - Aluminum	3
3	360758	Post-Locking Screw	1
4	KW-4-8	Key - Woodruff 1/4 x 1 1/8	1
5	360659	Bearing - Threaded Bronze	1
6	SC-75-10	Set Screw 1/4-20 x 3/16 Soc. Hdls. Cup Pt.	1
7	360675	Valve - Relief	1
8	360624	Cap - Pivot Post Lock	1
9	360783	Bar - Overarm	1
10	360774	Nut - Pivot Post	1
11	360626	Post-Lock	1
12	360627	Catch - Over Arm Post	1
13	WS-25-1	Washer	1
14	360746	"O" Ring (Inner Lid)	1
15	360747	"O" Ring	1
16	360789	Key	1
17	360775	Nut - Lock	1
18	360761	Spring - Plunger	1
19	360762	Gasket - Lock	1
20	SC-121-49	Mach. Screw 10-32 x 1/4 Flat Hd.	6
21	360764	Gasket - Retainer	1
22	360765	Plunger - Locking	1
23	SC-117-73	Mach. Screw 10-32 x 5/8 Phil. Truss Hd.	6
24	360763	Plate - Inner	1
25	360760	Gear - Star Locking	1
26	360677	Bearing - Thrust #603	2
27	WS-25-1	Washer	1
28	360759	Lid	1
29	360623	Gauge - Pressure	1
30	360629	Pin - Stop Swivel	1
31	360628	Post - Pivot	1
32	360778	Bearing - Pivot Post Thrust	1
33	SC-55-3	Set Screw 3/8-16 x 3/8 Hdls. Cup Pt.	1
34	360778	Bearing - Pivot Post Thrust	1
35	360624	Cap - Pivot Post Lock	1
36	SC-47-12	Set Screw 1/4-20 x 3/8 Soc. Hdls., Cup Pt.	1
37	360673	Hub - Handle	1
38	SC-55-3	Set Screw 3/8-16 x 3/8 Hdls. Cup Pt.	1
39	360853-83	"O" Ring	1
40	360637	Collar-Knurled Screw Post	1



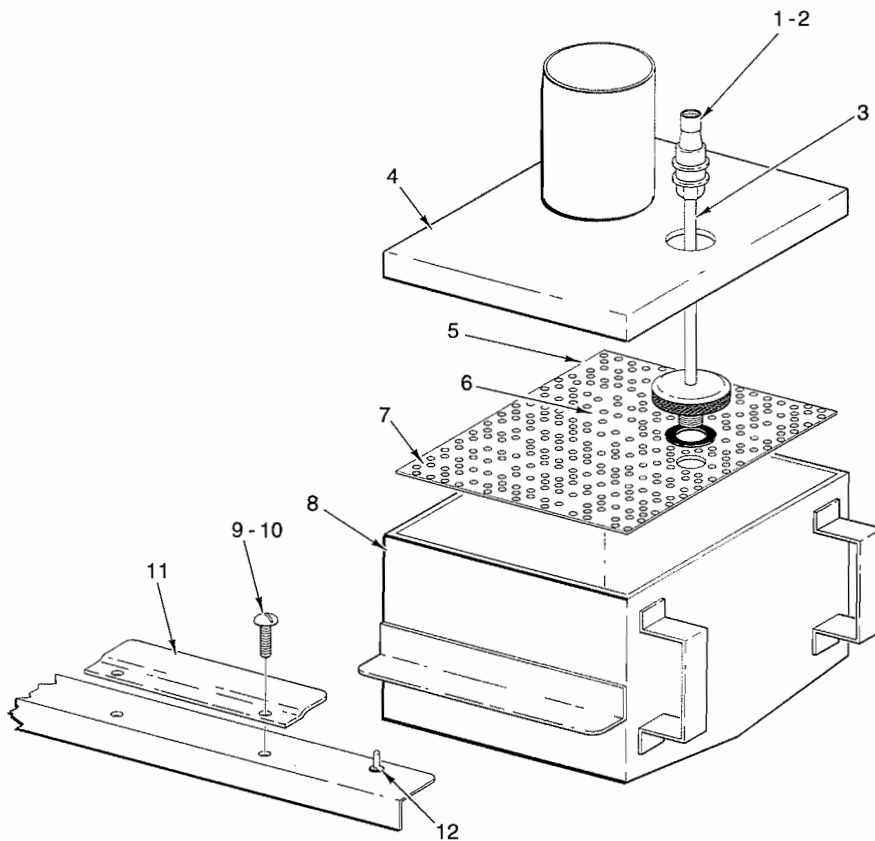
UNDERSIDE

ILLUS.	PART NO.	NAME OF PART	AMT.
1	360853-143	Switch - On/Off - (2 Position Switch) Fryer W/O Built in Filter	1
2	360853-85	Switch - On/Off (3 - Way)(Fryer W/Built in Filter)	1
3	360681	Lens (White)	1
4	360750	Module Temp. Control (1 Phase)	1
5	360853-88	Module - Temp. Control (3 Phase)	1
6	SD-10-11	Self-Tapping Screw 6-32 x 3/8 Phil. Truss Hd., Type D	4
7	358620	Dial - Temp. Controller	1
8	360853-106	Lens (Yellow)	1
9	360680	Socket - Pilot Light (1 Phase)	AR
10	BL-8-18	Bulb - Pilot Light (1 Phase)	AR

UNDERSIDE CONT.

ILLUS. PL-51660	PART NO.	NAME OF PART	AMT.
11	360853-92	Socket - Pilot Light (3 Phase)	AR
12	360853-96	Bulb - Pilot Light (3 Phase)	AR
13	360682	Lens (Red)	1
14	360853-125	Panel - Control (Non-Programmable Units)	1
15	360853-147	Control Unit (Programmable)	1
16	360853-144	Panel - Control (Programmable Units)	1
17	360853-145	Switch - Power (On/Off)(Programmable Units)	1
18	360853-148	Transformer - 24 V. (Programmable Units)	1
19	360853-121	Timer Assy. (30 Min.)(1 Phase)	1
20	360853-122	Timer Assy.(30 Min.)(3 Phase)	1
21	360679	Buzzer (1 Phase)	1
22	360853-87	Buzzer (3 Phase)	1
23	358621	Dial - Timer	1
24	360853-124	Frame - Control Panel	1
25	NS-48-1	Wing Nut ¼-20	2
26	WS-22-23	Washer	2
27	NS-13-2	Full Nut ¼-20 Hex	2
28	SC-66-13	Mach. Screw 8-32 x ¼ Phil. Truss Hd.	3
29	WL-8-7	Lockwasher 8 Internal Shakeproof	3
30	360740	Inner Door Assy.	1
31	SC-66-13	Mach. Screw 8-32 x ¼ Phil. Truss Hd.	2
32	WL-8-7	Lockwasher 8 Internal Shakeproof	2
33	360695	Handle - Door	1
34	360691	Pull - Door	1
35	SC-25-33	Mach. Screw 8-32 x ½ Binding Hd.	1
36	WL-8-7	Lockwasher 8 Internal Shakeproof	1
37	360736	Outer Door Assy.	1
38	SC-13-20	Mach. Screw 6-32 x ¼ Flat Hd.	3
39	WL-8-1	Lockwasher 6 Internal Shakeproof	9
40	360853-72	Washer - Stop (Use to Mount Control Panel)	2
41	NS-48-1	Wing Nut ¼-20	2
42	360785	Door Hinge Assy.	3
43	SC-53-35	Mach. Screw 8-32 x ¾ Truss Hd., Slotted	3
44	NS-47-81	Stop Nut 8-32 Hex	3
45	360718	Extension - Shut Off Valve	1
46	360752	Bushing - Valve Extension	2
47	358637-3	Leg - Fryer (Threaded)	4
*48	---	Leg - Fryer (Threaded)	4
*49	---	Caster - Plain (Threaded)(3" Dia.Wheel)	2
*50	---	Caster - With Brake (Threaded)(3" Dia.Wheel)	2
51	358637-1	Caster - Plain (Threaded)(4" dia.Wheel)	2
52	358637-2	Caster - W/Brake (Threaded)(4" dia.Wheel)	2
53	NS-44-14	Nut - ¼-20 Hex "Keps"	12
54	360853-38	Flange - Front Leg	2
55	360853-39	Flange - Rear Leg	2
56	360770	Valve - Drain	1
57	FP-37-72	Nipple ½ x 6" TBE Galvanized	1
58	FP-87-5	Nipple ½ x 25 TBE Galvanized	1
59	NS-13-2	Full Nut ¼-20 Hex	1
60	WS-22-23	Washer	1
61	WL-8-17	Lockwasher ¼ Internal Shakeproof	1
62	SC-37-82	Cap Screw ¼-20 x ¾ Hex Hd.	1
63	539169	Bracket	1
64	SC-9-43	Mach. Screw ¼-20 x 1 Rd. Hd.	1
65	NS-8-7	Mach. Nut ¼-20 Square	1
66	360687	Catch - Magnetic Door	3
67	SD-9-25	Self-Tapping Screw 6-32 x ¼ Binding Hd., Type F	6
68	360753	Spring	1
69	WS-30-7	Washer	2
70	PC-5-9	Cotter Pin ¾	1

* No Longer Available. Order Present Style Caster Kit Part No. 358639 (Incls. Legs & Casters)

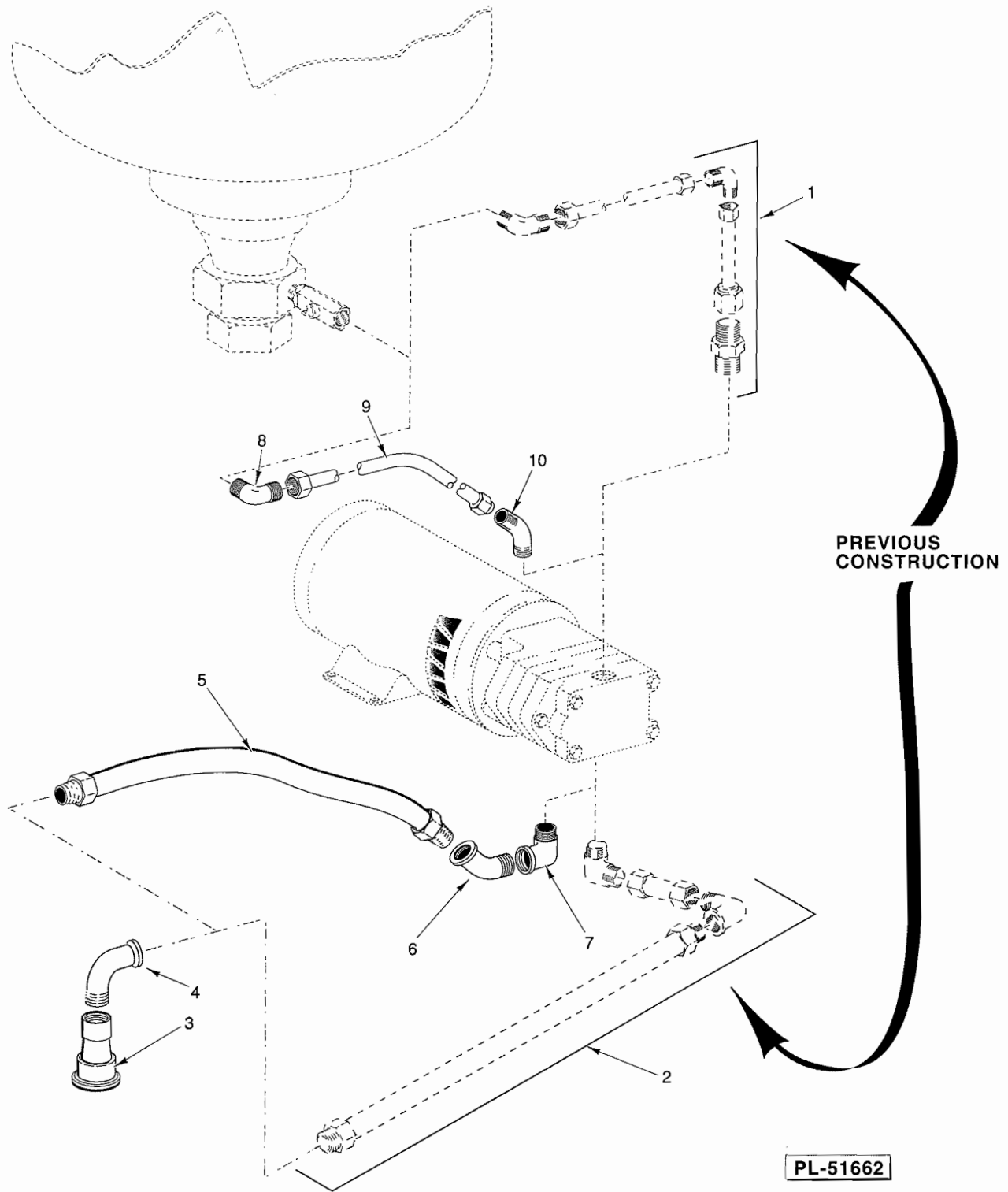


PL-51661

FILTER TANK

FILTER TANK

ILLUS. PL-51661	PART NO.	NAME OF PART	AMT.
1	360853-53	Quick Disconnect - Male	1
2	360853-54	Bushing ¼ x ¾ SST.	1
3	360853-55	Pipe ¼ x 7 ½ SST.	1
4	360853-128	Lid - Filter Tank	1
5	360853-56	Knob - filter	1
6	360830-9	Washer - Silicone (Use Above and Below Hole in Filter Screen)	2
7	360853-126	Screen - Filter	1
8	360853-127	Filter Assy. - Tank	1
9	SC-66-21	Mach. Screw 10-32 x ¾ Truss Hd.	4
10	WL-8-13	Lockwasher 10 Internal Shakeproof	4
11	360853-81	Bracket - Filter Tank Hold Down	2
12	360853-74	Pin - Guide	1
	360853-52	Siphon Tube Assy.(Incls.items 1,2,3 & 5)	1
	358337	Filter Paper (Box of 48)	1



FILTER LINES

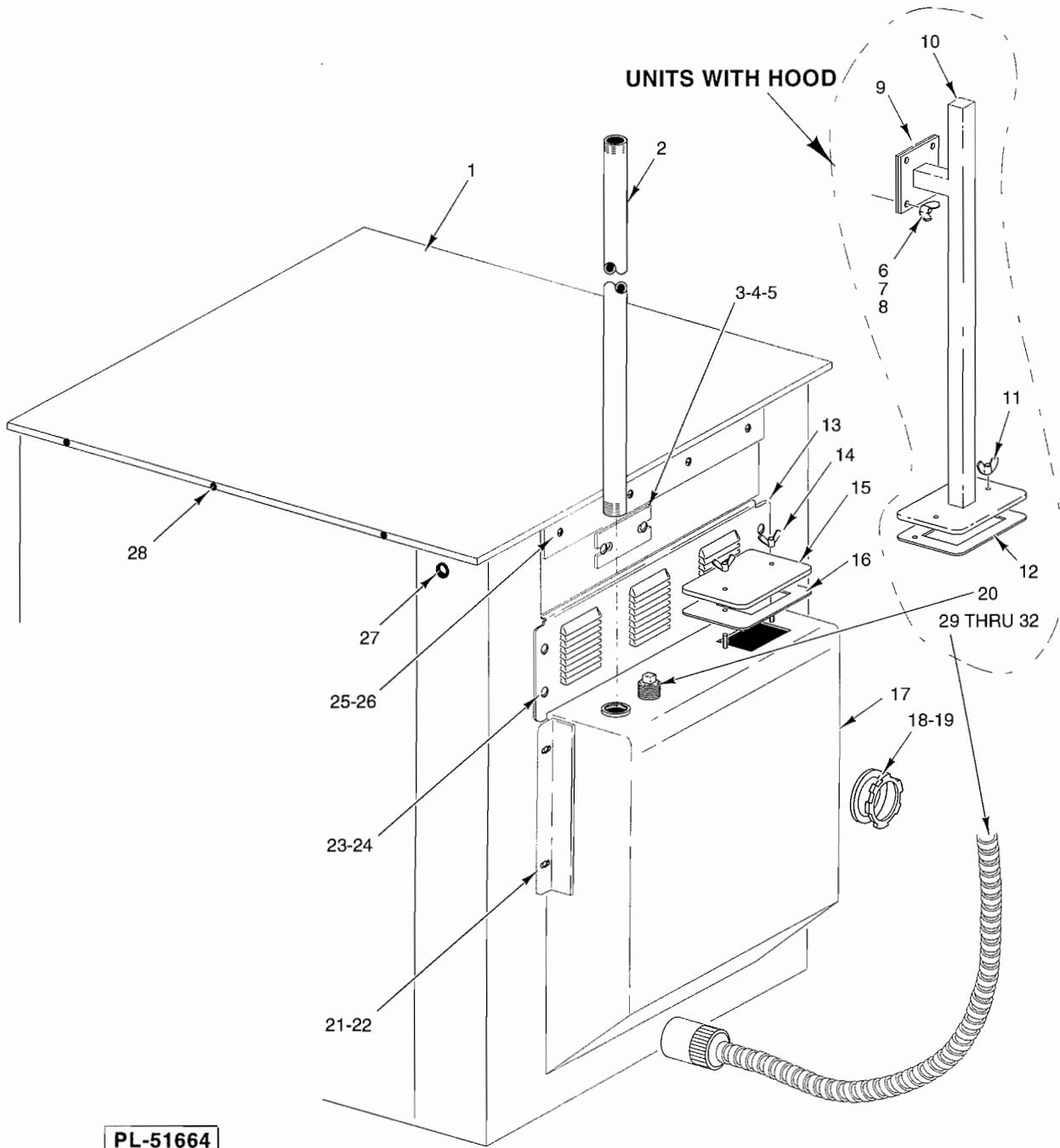
FILTER LINE

ILLUS. PL-51662	PART NO.	NAME OF PART	AMT.
* 1	---	Return Line	1
* 2	---	Filter Line	1
3	360853-51	Quick Disconnect - Female	1
4	360853-50	Elbow $\frac{3}{8}$ N.P.T. 90 Deg Street	1
5	358646-6	Hose - filter Assy.	1
6	358646-5	Elbow $\frac{3}{8}$ x 45	1
7	358646-4	Elbow $\frac{1}{2}$ x $\frac{3}{8}$	1
8	358646-3	Elbow - Connector $\frac{1}{2}$ x 90 Compression Fitting	1
9	358646-2	Tubing $\frac{1}{2}$ O.D. SST	1
10	358646-1	Elbow - Connector $\frac{1}{2}$ x 45 Compression Fitting	1

* No Longer Available. Order Filter Upgrade Kit Part No. 358647 (Incls.items 5 thru 10)

ELECTRICAL CONTROLS

ILLUS. PL-51663	PART NO.	NAME OF PART	AMT.
1	FE-18-24	Clamp ½ TS	1
2	SC-25-29	Mach. Screw 10-32 x ¾ Binding Hd.	1
3	WL-8-13	Lockwasher 10 Internal Shakeproof	1
4	NS-11-23	Mach. Nut Hex 10-32 SST	1
5	FE-6-4	Lock Nut ¾	1
6	FE-2-36	Connector - Conduit ½ TS	1
7	FE-18-35	Clamp ¾ TS	1
8	SC-25-29	Mach. Screw 10-32 x ¾ Binding Hd.	1
9	NS-11-23	Mach. Nut Hex 10-32 SST	1
10	SC-25-29	Mach. Screw 10-32 x ¾ Binding Hd.	4
11	FE-2-52	Connector - Conduit ¾ TS 90 Deg.	1
12	FE-6-4	Lock Nut ¾	1
13	SC-25-29	Mach. Screw 10-32 x ¾ Binding Hd.	1
14	NS-11-23	Mach. Nut Hex 10-32 SST	1
15	FE-18-24	Clamp ½ TS	1
16	FE-2-52	Connector - Conduit ¾ TS 90 Deg.	1
17	360739	Cover - Receptacle	1
18	FE-2-52	Connector - Conduit ¾ TS 90 Deg.	2
19	FE-6-4	Lock Nut ¾	2
20	FE-2-52	Connector - Conduit ¾ TS 90 Deg.	1
21	FE-6-4	Lock Nut ¾	1
22	360743	Box - Contactor	1
23	FE-6-5	Lock Nut ½ (Electrical)	1
24	360685	Mercury Relay (1 Phase)	2
25	360853-93	Mercury Relay (3 Phase)	2
26	360656	Cover - Contactor Box	1
27	NS-11-23	Mach. Nut Hex 10-32 SST	4
28	WL-8-13	Lockwasher 10 Internal Shakeproof	4
29	360853-146	Relay - Solid State (Programmable Units Only)	2
30	SC-19-28	Mach. Screw 8-32 x ¼ Binding Hd.	4
31	WL-8-7	Lockwasher 8 Internal Shakeproof	4
32	360784	Conduit - Junction Box	1
33	FE-2-14	Connector - Conduit ¼	2
34	SC-7-43	Mach. Screw 8-32 x ½ Round Hd.	2
35	FE-4-42	Cover - Electrical	1
36	NS-11-23	Mach. Nut Hex 10-32 SST	2
37	WL-8-13	Lockwasher 10 Internal Shakeproof	2
38	FE-6-6	Lock Nut ¾	1
39	FE-3-41	Box - Conduit (Octagonal)	1
40	SC-66-21	Mach. Screw 10-32 x ¾ Truss Hd.	2
41	FE-12-36	Connector - Conduit ½ TS	1
42	FE-6-5	Lock Nut ½ (Electrical)	1
43	FE-2-27	Connector - Conduit ¾ TS	1
44	SC-19-28	Mach. Screw 8-32 x ¼ Binding Hd.	1
45	WL-8-7	Lockwasher 8 Internal Shakeproof	1
46	FE-2-27	Connector - Conduit ¾ TS	1
47	FE-6-4	Lock Nut ¾	1
48	FE-2-36	Connector - Conduit ½ TS	1
49	FE-6-5	Lock Nut ½ (Electrical)	1
50	WS-12-39	Washer	1
51	360853-118	Relay (3 Phase)	1
52	360853-31	Relay (1 Phase)	1
53	360853-33	Socket - Relay	1
54	360853-149	Spring - Relay	1

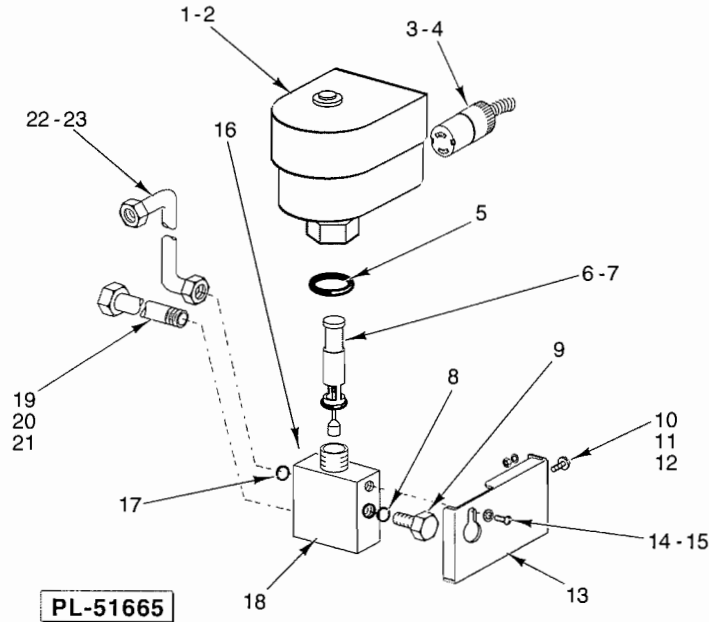


PL-51664

TABLE (REAR VIEW)

TABLE (REAR VIEW)

ILLUS. PL-51664	PART NO.	NAME OF PART	AMT.
1	360738	Top - Table	1
2	360853-100	Pipe - Exhaust	1
3	360737	Plug - Cover Plate	1
4	SC-25-29	Mach. Screw 10-32 x 3/4 Binding Hd.	2
5	WL-8-13	Lockwasher 10 Internal Shakeproof	2
6	NS-48-1	Wing Nut 1/4-20	4
7	SC-41-1	Cap Screw 1/4-20 x 3/4 Hex Hd	4
8	WS-17-6	Washer	4
9	360853-3	Gasket - Exhaust Manifold	2
10	360853-5	Tube - Exhaust Manifold	1
11	NS-48-1	Wing Nut 1/4-20	2
12	360733	Gasket - Access Lid	1
13	360735	Panel - Back	1
14	NS-48-1	Wing Nut 1/4-20	2
15	360732	Lid - Tank Exhaust	1
16	360733	Gasket - Access Lid	1
17	360734	Exhaust Tank Assy.	1
18	WS-12-39	Washer	2
19	FE-6-6	Lock Nut 3/4	1
20	FP-28-24	Pipe Plug 1 1/4 Sq. Hd.	1
21	SC-53-38	Mach. Screw 6-32 x 1/4 Truss Hd.	4
22	WL-19-47	Lockwasher 6 Internal Shakeproof	4
23	SC-66-13	Mach. Screw 8-32 x 1/4 Phil. Truss Hd.	4
24	WL-8-7	Lockwasher 8 Internal Shakeproof	4
25	SD-33-84	Self-Tapping Screw 10-32 x 1/2 Phil. Truss Hd., Type F	12
26	360853-1	Shim	1
27	SD-33-84	Self-Tapping Screw 10-32 x 1/2 Phil. Truss Hd., Type F	2
28	SD-17-30	Self-Tapping Screw 6-20 x 3/8 Phil. Flat Hd., Type AB	7
29	360853-34	Harness - Hood Wire (Incls.Plug & Wires)	1
30	360853-35	Receptacle (1 Phase)	1
31	WL-8-1	Lockwasher 6 Internal Shakeproof	2
32	SC-53-38	Mach. Screw 6-32 x 1/4 Truss Hd.	2



SOLENOID

ILLUS.	PART NO.	NAME OF PART	AMT.
	PL-51665		
1	360711	Housing - Coil (1 Phase)	1
2	360853-90	Housing - Coil (3 Phase)	1
3	360772	Plug - Solenoid Female (1 Phase)	1
4	360853-99	Plug - Solenoid Female (3 Phase)	1
5	360635	Gasket - Upper Valve Body	1
6	360674	Pressure Relief Valve Assy.	1
7	360853-82	"O" Ring	2
8	67500-6	"O" Ring	1
9	SC-97-18	Cap Screw 1/2-13 x 3/4 Hex Head	2
10	SC-66-21	Mach. Screw 10-32 x 3/8 Truss Hd.	2
11	WL-8-13	Lockwasher 10 Internal Shakeproof	2
12	NS-11-23	Mach. Nut Hex 10-32 SST	2
13	360633	Bracket - Support Solenoid	1
14	WL-8-17	Lockwasher 1/4 Internal Shakeproof	1
15	SC-53-40	Mach. Screw 1/4-20 x 3/8 Truss Hd.	1
16	360771	Bushing - Exhaust	1
17	360782	"O" Ring	1
18	360676	Housing - Pressure Control	1
19	FP-87-6	Nipple 3/4 x 18 STOE Galvanized	1
20	360768	Union & Gasket	1
21	360769	Gasket - Union	1
22	360773	Pipe 3/8 x 1/2 MPT	1
23	360632	Line - Exhaust	1
	360853-137	Wiring Harness (Non-Programmable Units)	1