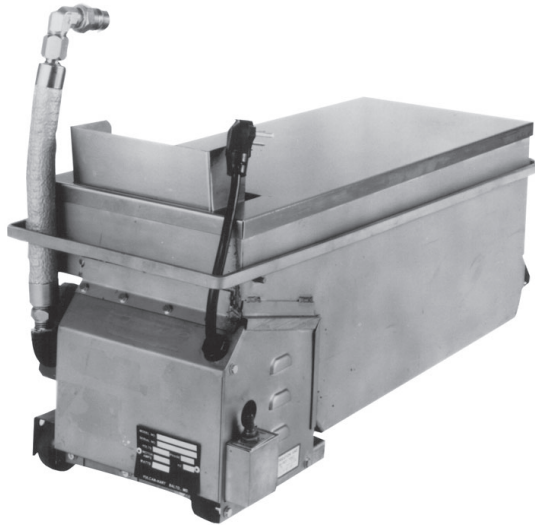




CATALOG OF

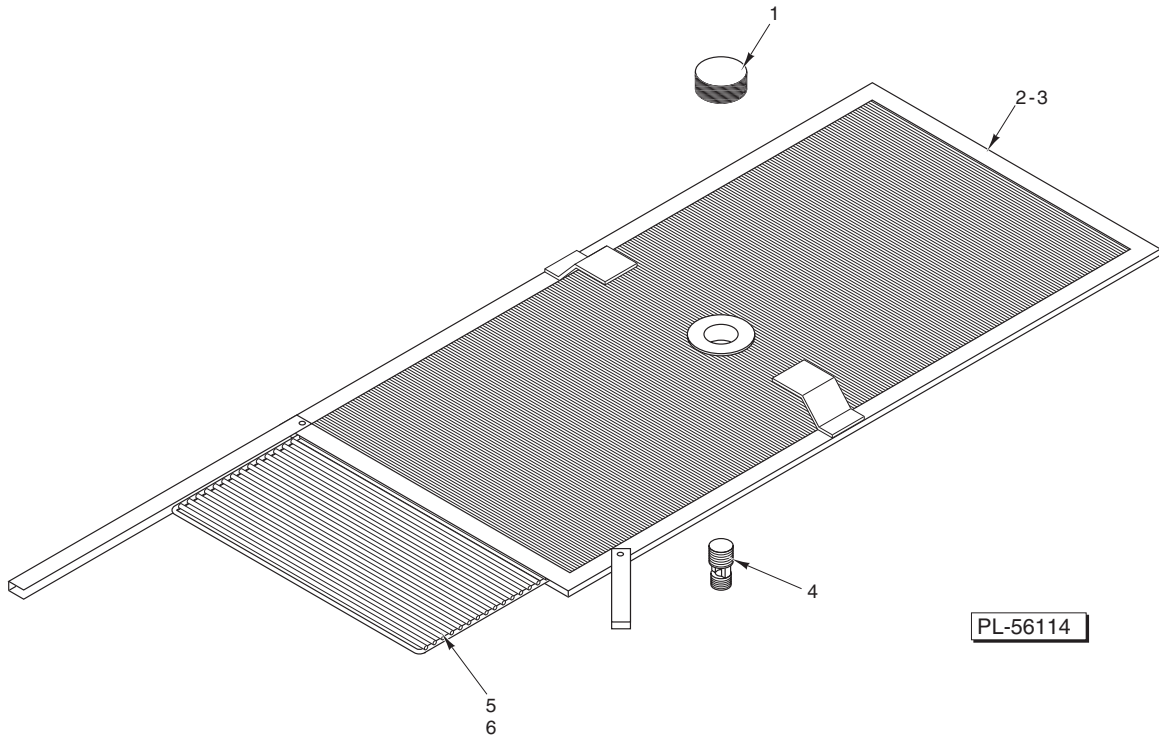
REPLACEMENT PARTS



MOBILE FILTER

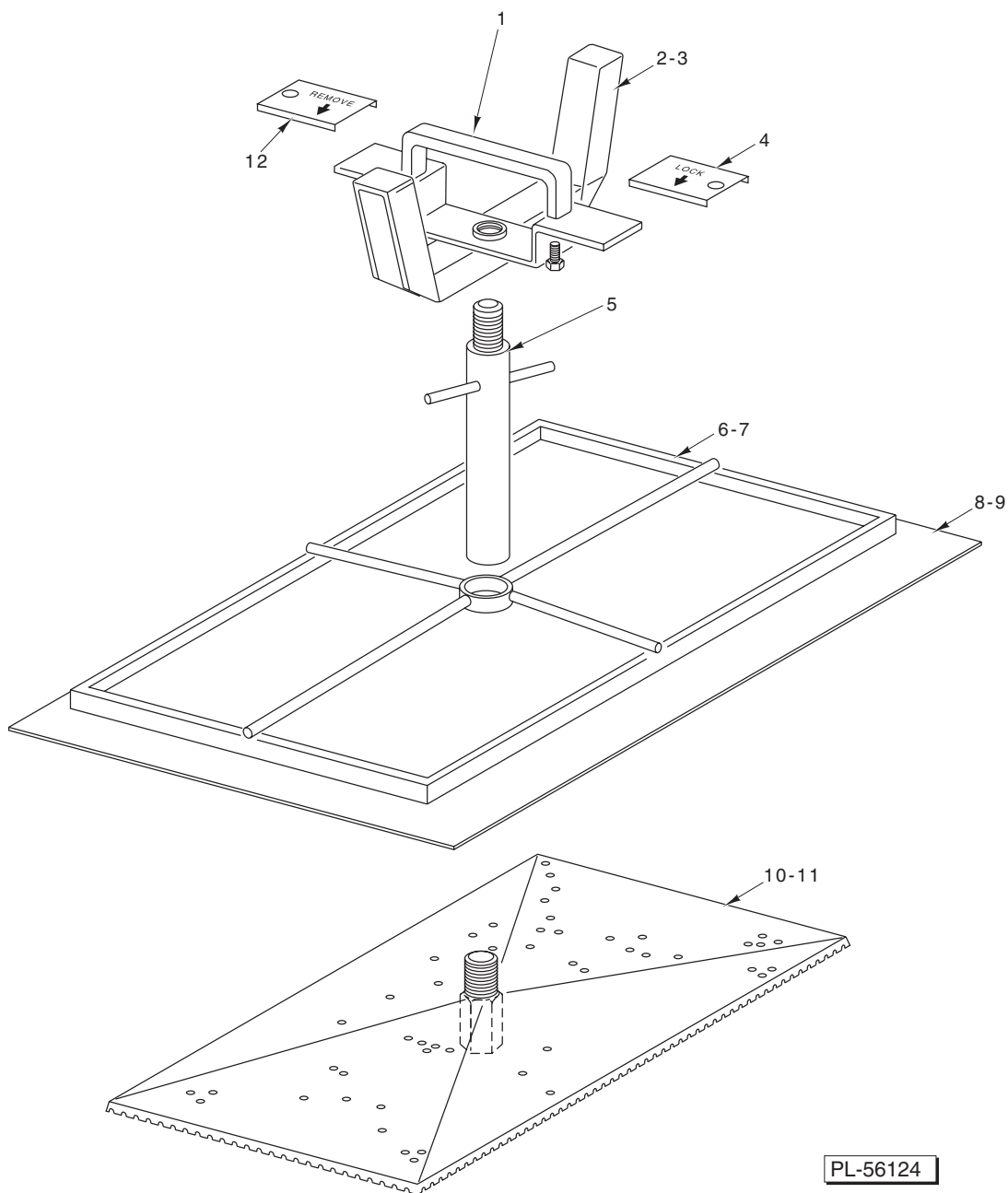
HMF50
HMF85

ML-114639
ML-114640



PAPERLESS FILTER

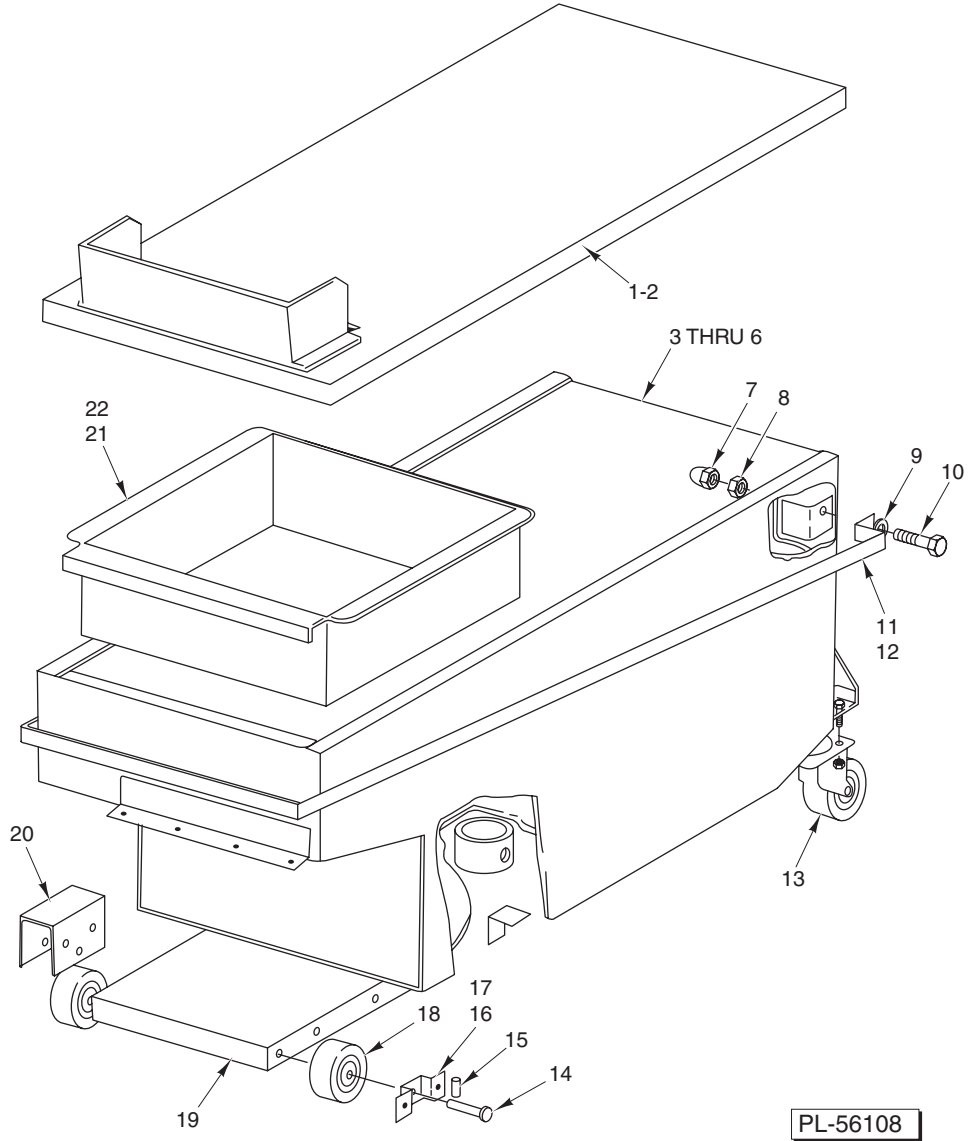
ILLUS.	PART NO.	NAME OF PART	AMT.
PL-56114			
1	00-422554-00001	Knurl Knob	1
2	00-422545-00001	Filter Element (HMF50)	1
3	00-422545-00003	Filter Element (HMF85)	1
4	00-422467-00001	Suction Nipple	1
5	00-422552-00001	Insert (HMF50)	1
6	00-422552-00003	Insert (HMF85)	1



PL-56124

PAPER FILTER

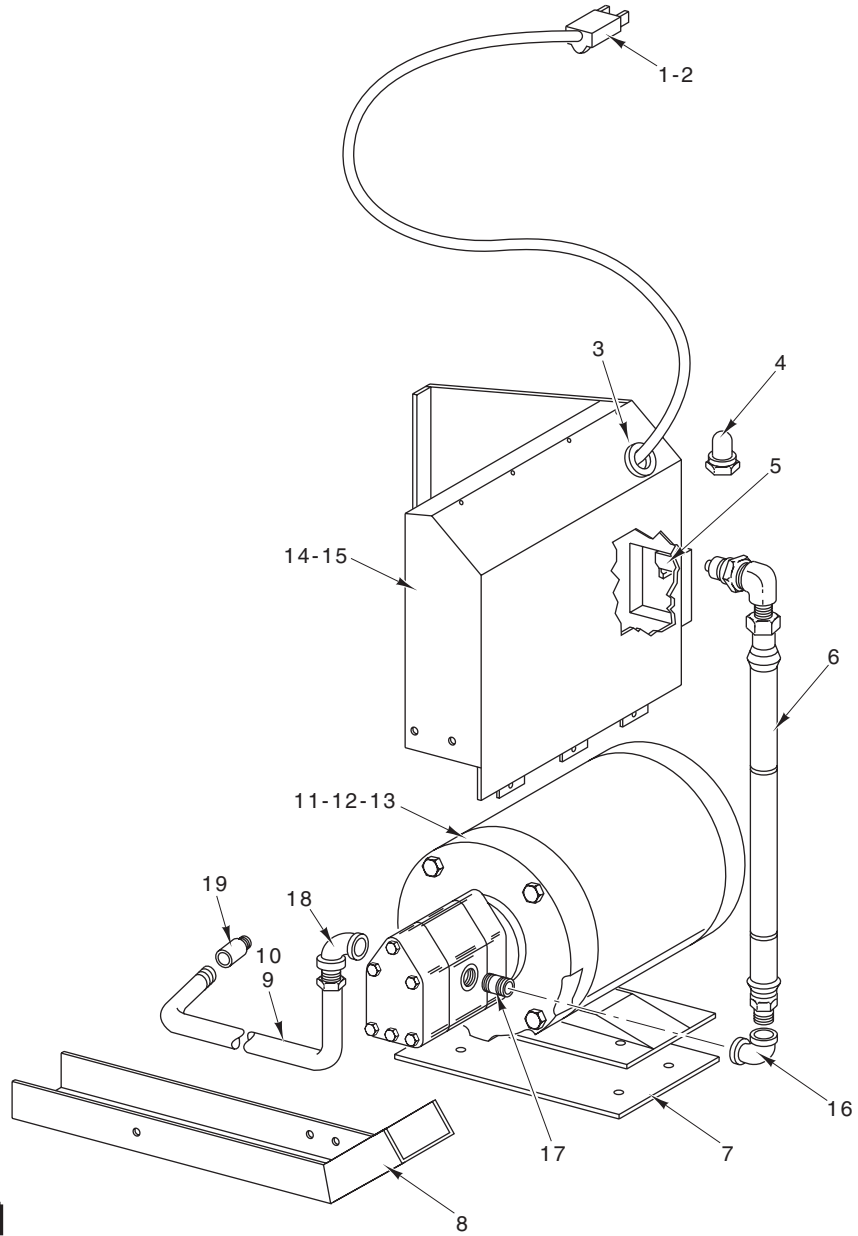
ILLUS.	PART NO.	NAME OF PART	AMT.
PL-56124			
1	00-721006-00001	Handle	1
2	00-417778-000G1	Pressure Bar Assy. (HMF50)	1
3	00-419706-000G1	Pressure Bar Assy. (HMF85)	1
4	00-417962-00002	Plate – Directional (Lock)	1
5	00-417776-00001	Center Post	1
6	00-418793-00001	Filter Screen Retainer (HMF50)	1
7	00-419696-00001	Filter Screen Retainer (HMF85)	1
8	00-418954-00001	Filter Paper (Box of 100) (HMF50)	1
9	00-419702-00001	Filter Paper (Box of 100) (HMF85)	1
10	00-417794-00001	Filter Screen Assy. (HMF50)	1
11	00-419695-000G1	Filter Screen Assy. (HMF85)	1
12	00-417962-00001	Plate – Directional (Remove)	1



FILTER VESSEL

FILTER VESSEL

ILLUS. PL-56108	PART NO.	NAME OF PART	AMT.
1	00-417773-000G1	Lid Assy. (HMF50)	1
2	00-419699-000G1	Lid Assy. (HMF85)	1
3	00-417768-000G1	Vessel Assy. (Paper Filter) (HMF50)	1
4	00-419490-000G1	Vessel Assy. (Paper Filter) (HMF85)	1
5	00-417768-000G2	Vessel Assy. (Paperless Filter) (HMF50)	1
6	00-419490-000G2	Vessel Assy. (Paperless Filter) (HMF85)	1
7	NS-025-06	Castle Nut 1/4-20 (SST)	2
8	NS-041-04	Lock Nut 1/4-20 Eslok (SST)	2
9	WS-004-33	Washer	4
10	SC-116-19	Shoulder Bolt 1/4-20 x 3/4	2
11	00-417797-000G1	Handle – Vessel Assy. (HMF50)	1
12	00-419493-000G1	Handle – Vessel Assy. (HMF85)	1
13	00-415342-00001	Caster – Swivel (Rear)	2
14	00-403971-00002	Pin – Axel	2
15	00-417850-00001	Pin – Cotter	2
16	00-417788-00002	Bracket (RH) (HMF50)	1
17	00-418076-000G1	Bracket (RH) (HMF85)	1
18	00-415342-00002	Caster (Front)	2
19	00-417769-00001	Base – Pump	1
20	00-417788-00001	Bracket (LH)	1
21	00-418242-000G1	Pan – Crumb Screen Assy. (HMF50)	1
22	00-418598-000G1	Pan – Crumb Screen Assy. (HMF85)	1



MOTOR AND PIPING

MOTOR AND PIPING

ILLUS.	PART NO.	NAME OF PART	AMT.
PL-56123			
1	00-418956-000G1	Power Cord (115 V.)	1
2	00-418956-000G2	Power Cord (200-230 V.)	1
3	FE-024-25	Strain Relief	1
4	00-417932-00001	Boot – Toggle Switch	1
5	00-411496-000A8	Switch – Toggle (Double Pole W/Center Off) (125-250 V.)	1
6	00-418787-000G1	Flex Discharge Hose Assy.	1
7	00-417920-00001	Gasket – Hose	1
8	00-417904-00002	Plate – Skid	1
9	00-417891-000G1	Tube Heater Assy. (120 V.)	1
10	00-417891-000G2	Tube Heater Assy. (240 V.)	1
11	00-417792-00001	Pump & Motor Assy. (115 V., 60 Hz.)	1
12	00-417792-00003	Pump & Motor Assy. (208 V., 50/60 Hz.)	1
13	00-417792-00004	Pump & Motor Assy. (230 V., 50/60 Hz.)	1
14	00-417950-000G1	Cover – Motor & Switch (Order Item 15)	1
15	00-414270-00002	Insulator – Switch (Fish Paper)	1
16	FP-077-68	Elbow 1/2 90 Deg.	1
17	FP-035-91	Pipe Nipple 1/2 x 1.25	1
18	FP-080-90	Fitting Tube 90 Deg.	1
19	FP-086-89	Fitting Tube Straight	1
	00-422281-00001	Hose – Tank Wash Assy. (10 Ft.)	1
	00-422281-00005	Hose – Tank Wash Assy. (6 Ft.)	1
	00-418791-000G1	Valve – Quick Disconnect	1

