



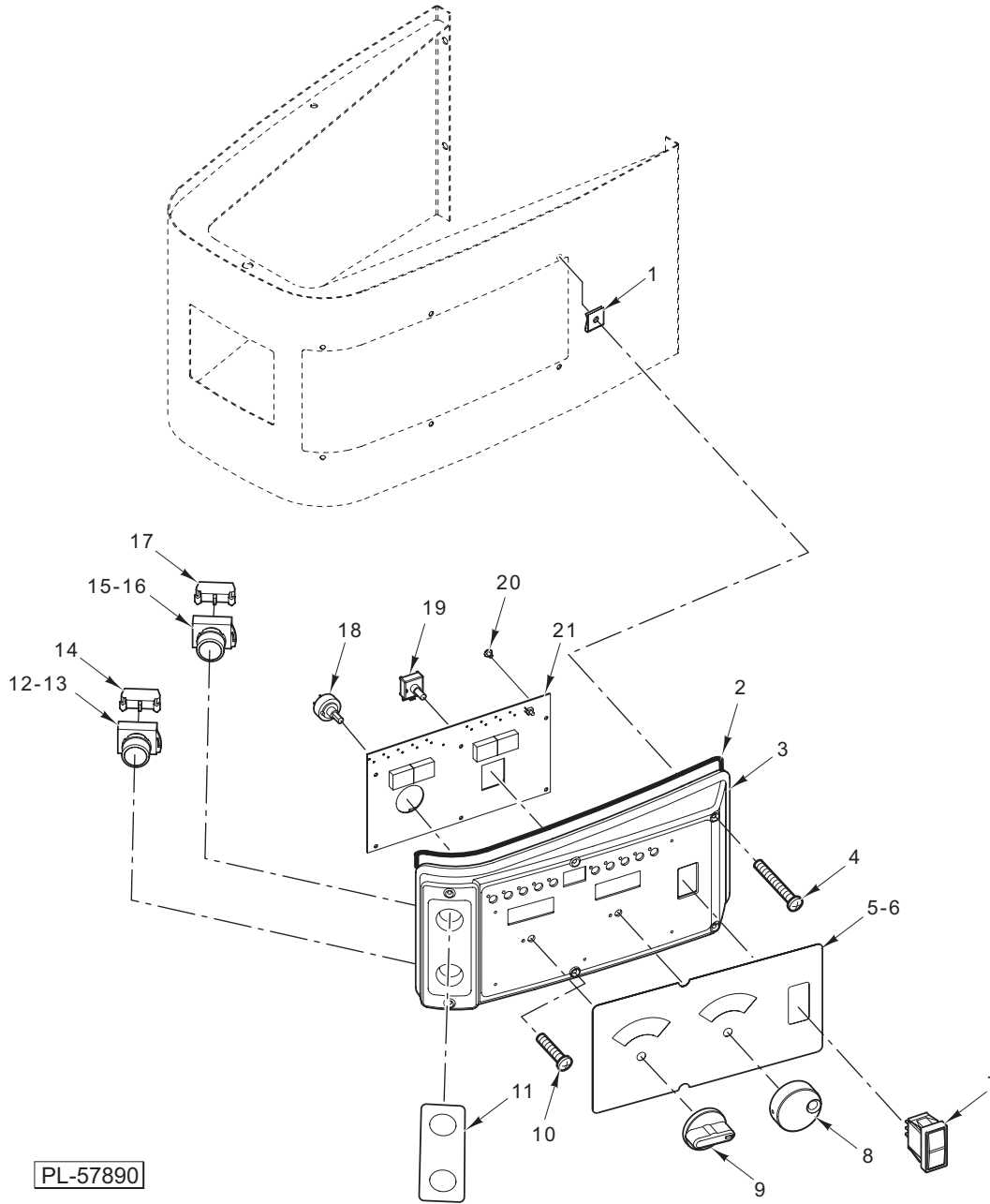
CATALOG OF REPLACEMENT PARTS

LEGACY MIXER

HL600CE	ML-134297
HL662CE	ML-134298

Table of Contents

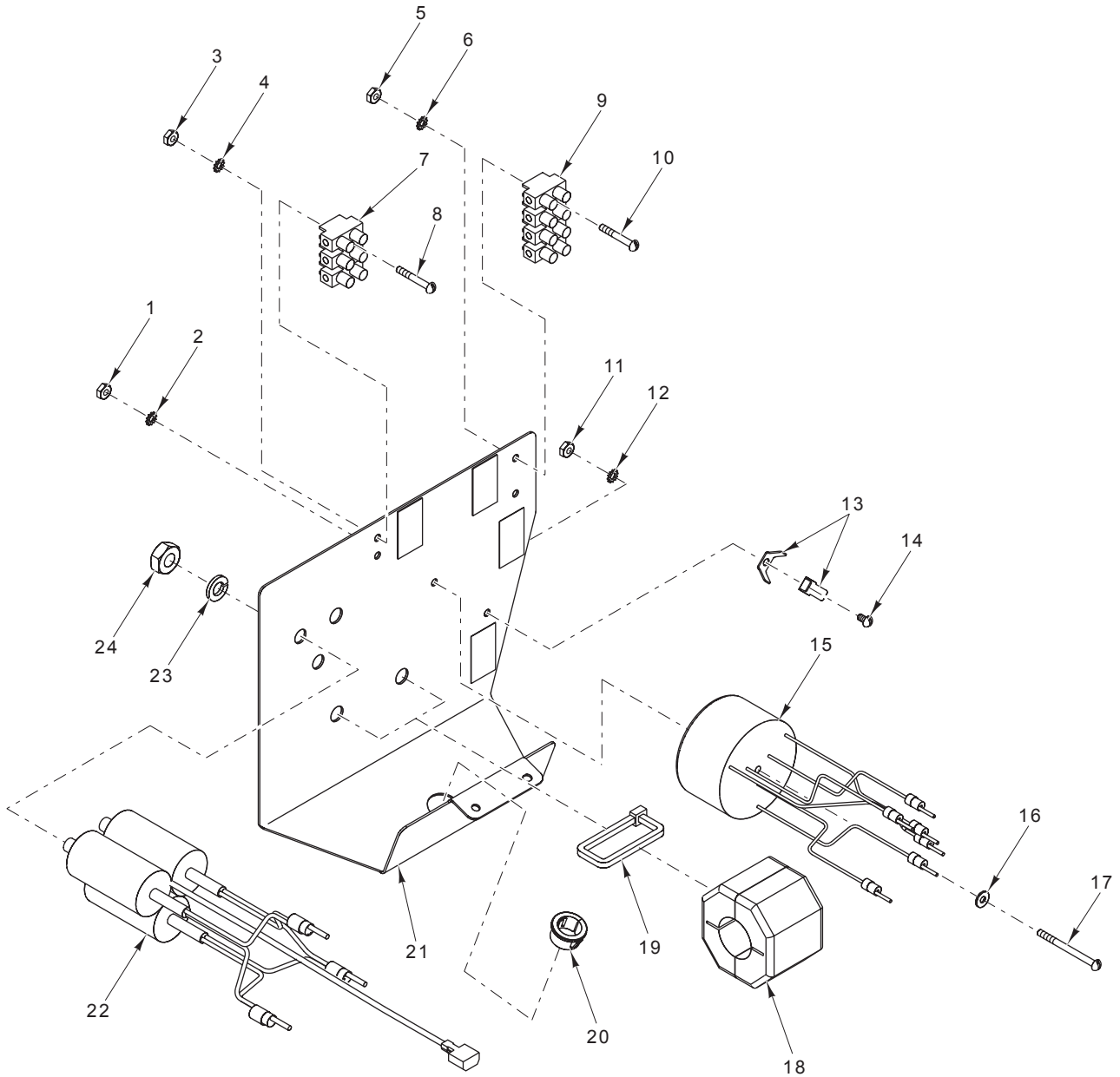
5	CONTROL PANEL
7	ELECTRICAL COMPONENTS
9	ELECTRICAL COMPONENTS
11	ATTACHMENT HUB
13	BASE AND PEDESTAL
15	BOWL SUPPORT
17	TRANSMISSION CASE AND MOTOR
19	TRANSMISSION
21	PLANETARY
23	BOWL GUARD
24	AGITATORS AND ACCESSORIES



CONTROL PANEL

CONTROL PANEL

ILLUS. PL-57890	PART NO.	NAME OF PART	AMT.
1	00-874338	Fastener – Self-Retaining	6
2	00-875814	Seal – Control Panel.....	1
3	00-873945	Panel – Control	1
4	SC-128-40	Mach. Screw 8-32 x 2 ¹ / ₄ Phil. Oval Hd. (SST)	2
5	00-916233	Overlay (ML-134297).....	1
6	00-875962	Overlay (ML-134298).....	1
7	00-087711-330-1	Switch – Rocker (Bowl Lift).....	1
8	00-875724	Knob – Timer	1
9	00-874630	Knob – Speed Selector.....	1
10	SC-128-39	Mach. Screw 8-32 x 1 ¹ / ₂ Phil. Oval Hd. (SST).....	4
11	00-875963	Label (Mix/Stop).....	1
12	00-478752-00002	Switch – Operator (Stop)	1
13	00-478751-00001	Cap (Stop)	1
14	00-087711-322-3	Block – Contact (Stop).....	1
15	00-478752-00001	Switch – Operator (Start)	1
16	00-478753-00001	Cap – Round Push Button (Start) (Flush).....	1
17	00-087711-322-4	Block – Contact (Start).....	1
18	00-874631	Potentiometer Assy. (Speed Selector)	1
19	00-875723	Encoder Assy. (Time Selector).....	1
20	SD-039-23	Self-Tapping Screw 6-32 x ¹ / ₄ Hex Washer Hd., Type RL.....	5
21	00-916654	PCB Assy. – Standard Timer.....	1

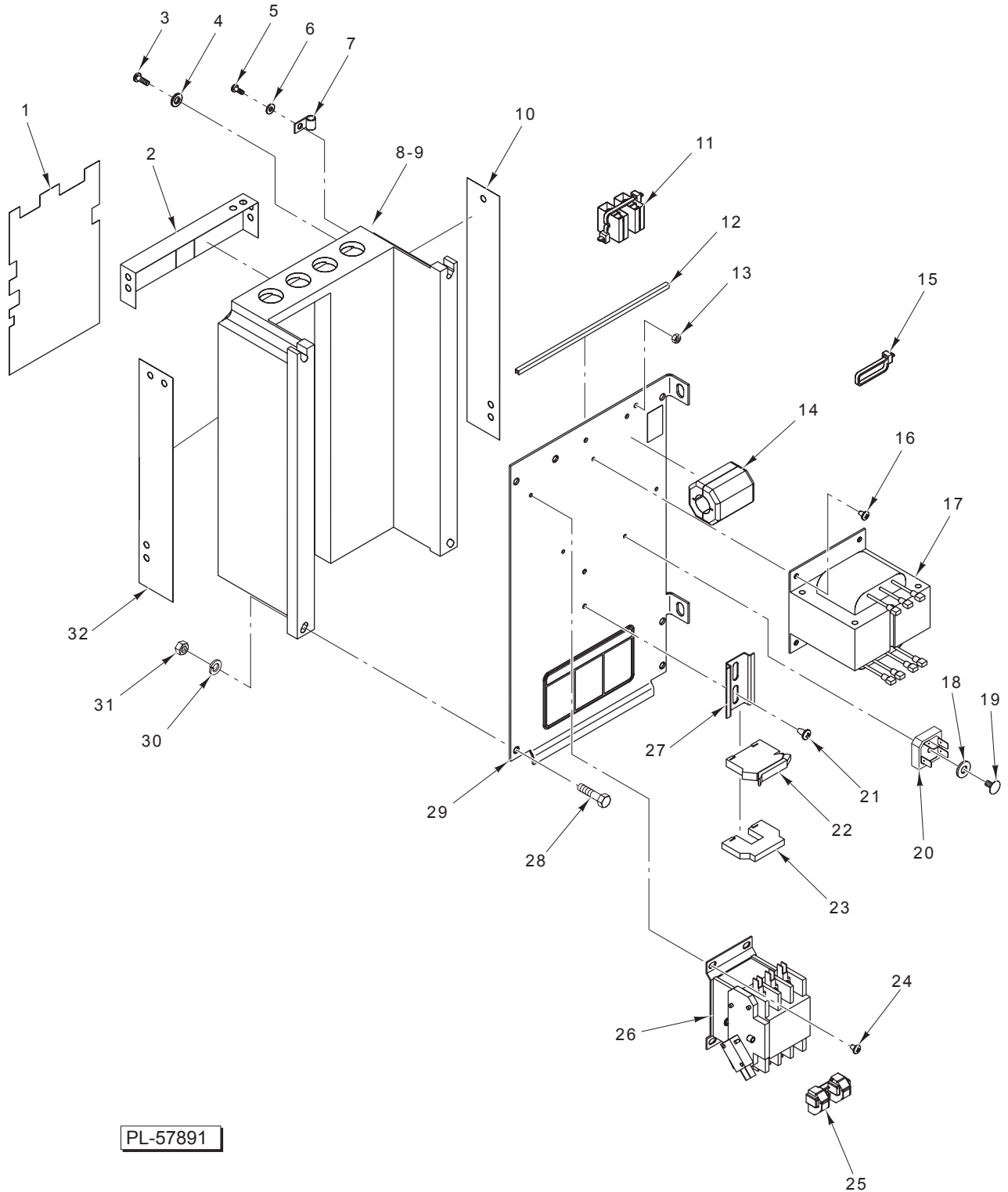


PL-57897

ELECTRICAL COMPONENTS

ELECTRICAL COMPONENTS

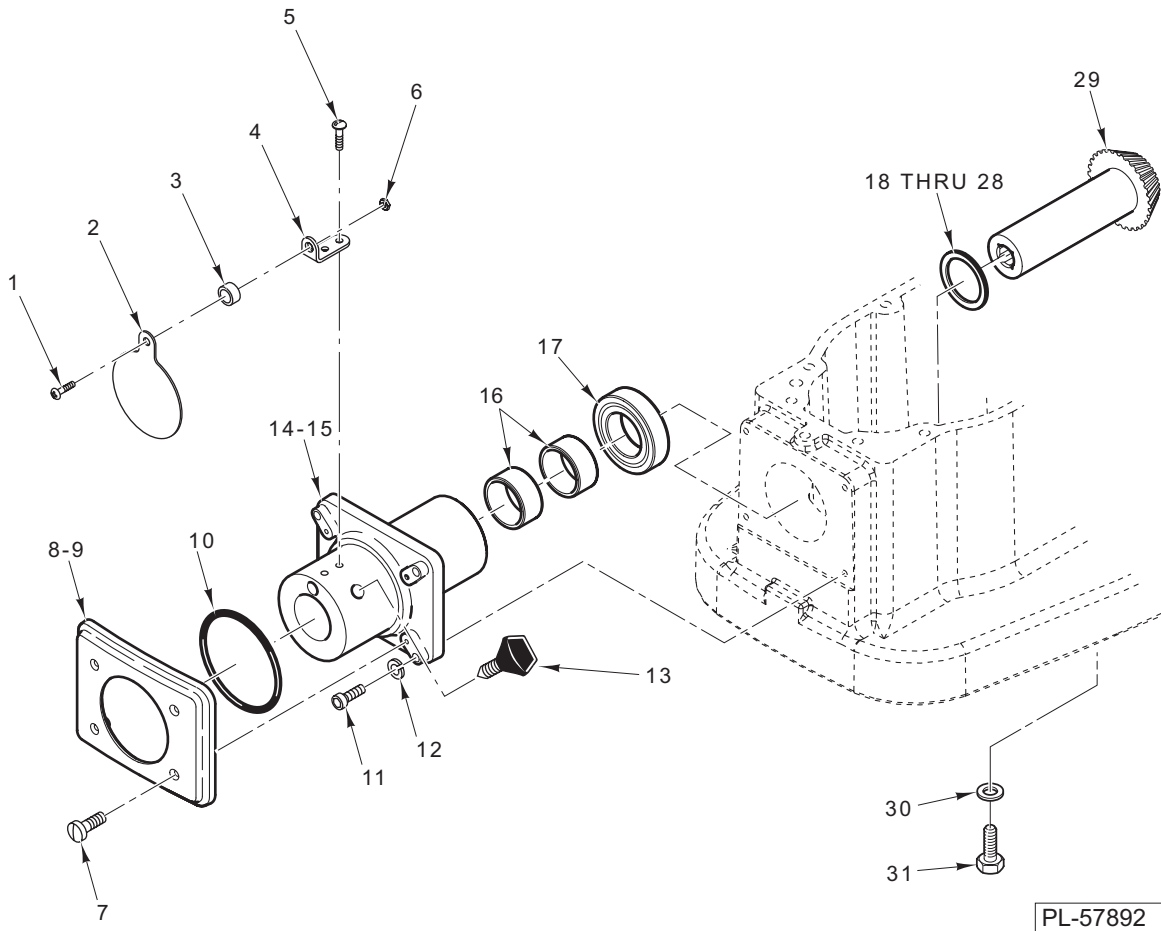
ILLUS.	PART NO.	NAME OF PART	AMT.
PL-57897			
1	NS-009-07	Nut 6-32 Hex.....	1
2	WL-014-03	Lockwasher #6 External Shakeproof.....	1
3	NS-009-07	Nut 6-32 Hex.....	2
4	WL-014-03	Lockwasher #6 External Shakeproof.....	2
5	NS-009-07	Nut 6-32 Hex.....	2
6	WL-014-03	Lockwasher #6 External Shakeproof.....	2
7	00-477562-00004	Block – Terminal.....	1
8	SC-009-64	Mach. Screw 6-32 x 1 Slotted Rd. Hd.....	2
9	00-477562-00002	Block – Terminal.....	1
10	SC-009-64	Mach. Screw 6-32 x 1 Slotted Rd. Hd.....	2
11	NS-009-07	Nut 6-32 Hex.....	1
12	WL-014-03	Lockwasher #6 External Shakeproof.....	1
13	00-065890-00090	Terminal.....	2
14	SC-009-70	Mach. Screw 6-32 x 1/4 Slotted Rd. Hd.	1
15	00-916075	Inductor – Capacitor	1
16	WS-023-15	Washer.....	1
17	SC-060-33	Mach. Screw 6-32 x 1 3/4 Slotted Rd. Hd.	1
18	00-916010-00002	Ferrite	1
19	00-113703	Tie – Cable.....	1
20	FE-021-13	Bushing – Electrical Split	1
21	00-875981	Shield – Wire	1
22	00-916077	Capacitor	1
23	WL-003-47	Lockwasher 5/16 Helical	3
24	NS-200-02	Nut M8 Hex.....	3



ELECTRICAL COMPONENTS

ELECTRICAL COMPONENTS

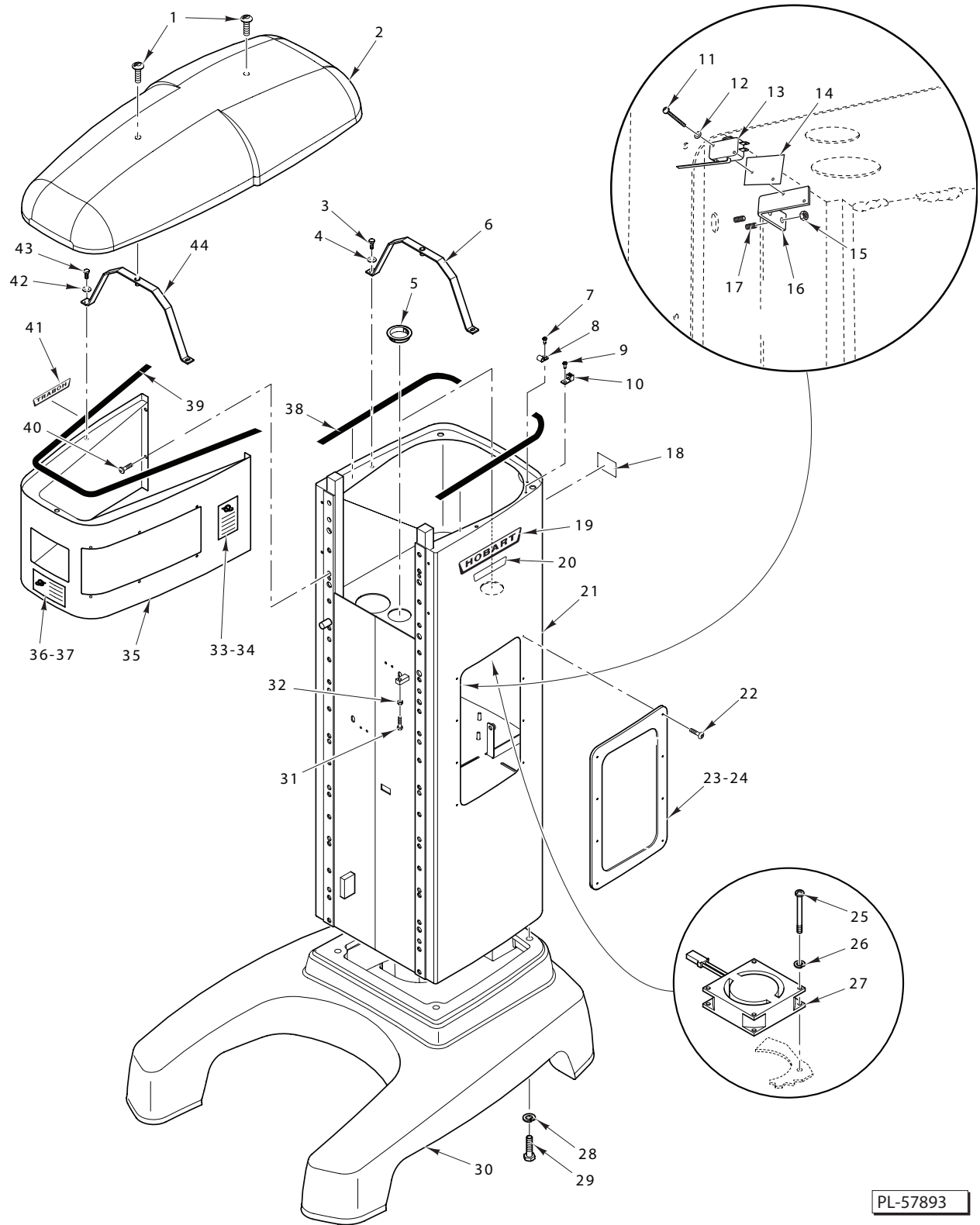
ILLUS.	PART NO.	NAME OF PART	AMT.
PL-57891			
1	00-916086	Insulator	1
2	00-916085	Insulator	1
3	SC-018-34	Mach. Screw 8-32 x 1/2 Phil. Pan Hd.	1
4	WL-008-07	Lockwasher #8 Internal Shakeproof	7
5	SC-018-29	Mach. Screw 6-32 x 3/8 Phil. Pan Hd.	2
6	WS-023-15	Washer.....	2
7	00-294677-00003	Clamp – Wire	2
8	00-874029	Drive Assy. (230 V.).....	1
9	00-874029-00002	Drive Assy. (460 V.).....	1
10	00-916083	Insulator	1
11	00-916073	Inductor.....	1
12	00-557628	Grommet.....	1
13	NS-009-12	Nut 8-32 Hex.....	2
14	00-916010-00001	Ferrite	1
15	00-113703	Tie – Cable.....	9
16	SD-015-39	Self-Tapping Screw 8-32 x 1/4 Phil. Pan Hd., Type TT	2
17	00-294500-050-1	Transformer	1
18	WS-019-41	Washer.....	1
19	SD-012-20	Self-Tapping Screw 8-32 x 1/2 Phil. Pan Hd., Type T.....	1
20	00-042159	Rectifier – Bridge (35 Amp., 100 V.).....	1
21	SD-015-20	Self-Tapping Screw 10-32 x 3/8 Phil. Pan Hd., Type TT	2
22	00-916090	Block – Fuse	4
23	00-916089	Clamp – End	2
24	SD-015-39	Self-Tapping Screw 8-32 x 1/4 Phil. Pan Hd., Type TT	2
25	00-875972	Cover – Contactor.....	1
26	00-087713-107-3	Contacto (3-Pole, 30 Amp./Aux.).....	1
27	00-477300-00003	Din Rail	1
28	SC-036-09	Cap Screw 1/4-20 x 1 1/4 Hex Hd.	4
29	00-875979	Bracket – Drive Control Mounting.....	1
30	WL-003-38	Lockwasher 1/4 Helical.....	4
31	NS-013-01	Nut 1/4-20 Hex	4
32	00-916084	Insulator	1
	FE-025-39	Fuse (250 V., 1/4 Amp.).....	2
	FE-025-40	Fuse (250 V., 2 Amp.).....	2



ATTACHMENT HUB

ATTACHMENT HUB

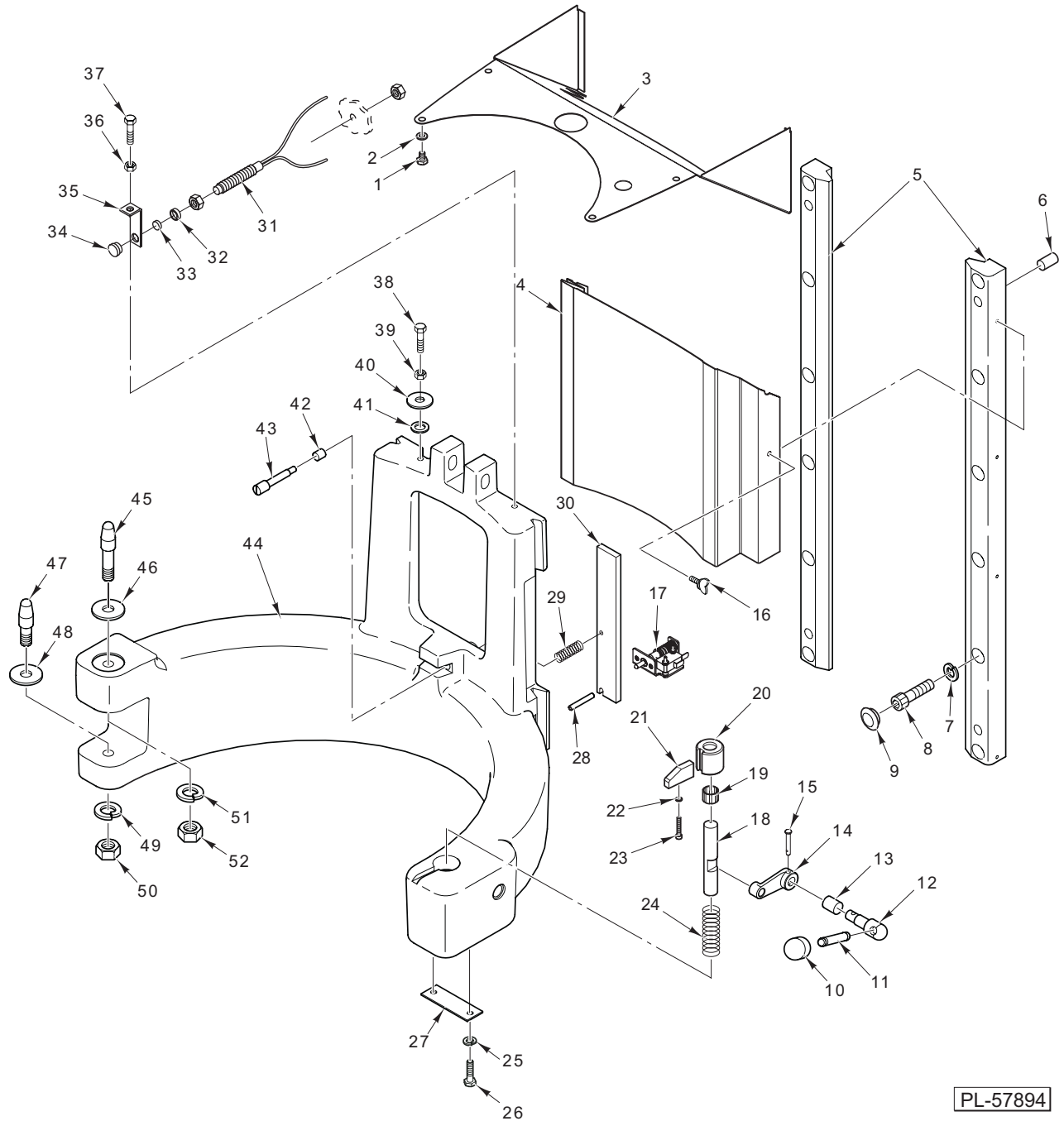
ILLUS.	PART NO.	NAME OF PART	AMT.
	PL-57892		
1	SC-093-23	Mach. Screw 10-24 x 3/8 Phil. Pan Hd. (SST)	1
2	00-875989	Cover – Attachment Hub.....	1
3	00-875991	Bushing – Cover Mounting	1
4	00-875988	Bracket – Cover Mounting.....	1
5	SC-093-23	Mach. Screw 10-24 x 3/8 Phil. Pan Hd. (SST)	2
6	NS-046-28	Crown Nut 10-24 Hex (SST).....	1
7	SC-079-04	Mach. Screw 8-32 x 3/4 Phil. Oval Hd. (SST)	4
8	00-873973-00002	Panel – Front	1
9	00-875813	Seal – Attachment Hub Cover	1
10	OR-001-09	O-Ring	1
11	SC-040-09	Cap Screw-20 x 1 1/4 Hex Soc. Hd.	4
12	WL-003-38	Lockwasher 1/4 Helical.....	4
13	00-108197-00001	Thumb Screw.....	1
14	00-874290-00002	Hub – Attachment	1
15	00-508462	Sealer – Permatex (11 oz.).....	1
16	BN-002-06	Bearing – Needle	2
17	BB-013-03	Ball Bearing	1
18	00-061920-00001	Washer – Thrust (0.076 Thk.).....	AR
19	00-061920-00002	Washer – Thrust (0.079 Thk.).....	AR
20	00-061920-00003	Washer – Thrust (0.082 Thk.).....	AR
21	00-061920-00004	Washer – Thrust (0.085 Thk.).....	AR
22	00-061920-00005	Washer – Thrust (0.088 Thk.).....	AR
23	00-061920-00006	Washer – Thrust (0.091 Thk.).....	AR
24	00-061920-00007	Washer – Thrust (0.094 Thk.).....	AR
25	00-061920-00008	Washer – Thrust (0.097 Thk.).....	AR
26	00-061920-00009	Washer – Thrust (0.100 Thk.).....	AR
27	00-061920-00010	Washer – Thrust (0.103 Thk.).....	AR
28	00-061920-00011	Washer – Thrust (0.106 Thk.).....	AR
29	00-874277	Pinion – Bevel (24T)	1
30	WS-021-21	Washer.....	1
31	SC-041-42	Cap Screw 1/2-20 x 1 Hex Hd.	1



BASE AND PEDESTAL

BASE AND PEDESTAL

ILLUS.	PART NO.	NAME OF PART	AMT.
	PL-57893		
1	SC-120-30	Mach. Screw 1/4-20 x 2 Phil. Oval Hd.....	2
2	00-873882	Cover – Top.....	1
3	SC-036-06	Cap Screw 1/4-20 x 1 Hex Hd.....	2
4	WS-003-43	Washer.....	2
5	FE-026-28	Bushing – Electric Snap.....	2
6	00-874222	Rear Strap Assy. – Rear.....	1
7	SD-029-02	Self-Tapping Screw 10-24 x 1/2 Slotted Pan Hd., Type F.....	1
8	00-078752-00003	Clamp – Cable.....	1
9	SD-029-02	Self-Tapping Screw 10-24 x 1/2 Slotted Pan Hd., Type F.....	1
10	00-118544-00001	Lug – Solderless.....	1
11	SC-060-40	Mach. Screw 4-40 x 5/8 Slotted Rd. Hd.....	4
12	WL-003-03	Lockwasher #4 Helical.....	4
13	00-087711-00248	Switch – Bowl Height.....	2
14	00-439892	Insulator – Switch.....	2
15	NS-044-09	Nut Assy. 10-24 Hex KEPS.....	4
16	00-874109	Bracket – Bowl Travel Switch.....	2
17	00-113631-00006	Stud – Self-Clinching.....	4
18	00-438131-061-1	Label – Warning (California).....	1
19	00-874401	Logo – Hobart.....	1
20	00-874379	Label – Legacy.....	1
21	00-873894-00003	Pedestal Assy.....	1
22	SD-009-41	Self-Tapping Screw 8-32 x 3/8 Slotted Pan Hd., Type F (SST).....	8
23	00-874238-00001	Cover – Side (Incls. Item 24).....	1
24	00-875815	Seal – Side Panel.....	2
25	SC-110-48	Mach. Screw 6-32 x 2 Slotted Pan Hd.....	2
26	WL-003-09	Lockwasher #6 Helical.....	2
27	00-874535	Fan – Cooling (24 VDC).....	1
28	WL-004-11	Lockwasher 1/2 Helical.....	4
29	SC-037-06	Cap Screw 1/2-13 x 2 3/4 Hex Hd.....	4
30	00-873950-00002	Base.....	1
31	SC-041-13	Cap Screw 5/16-18 x 1 Hex Hd. (SST).....	1
32	NS-013-14	Nut 5/16-18 Hex.....	1
33	00-438131-00001	Plate – Caution.....	1
34	RS-003-04	Rivet.....	1
35	00-873897-00001	Wrapper – Transmission.....	1
36	00-438131-00002	Plate – Warning.....	1
37	RS-003-04	Rivet.....	1
38	00-874512-00001	Seal – Top Cover (Rear).....	2
39	00-874512-00002	Seal – Top Cover.....	1
40	SD-039-06	Self-Tapping Screw 1/4-20 x 3/4 Hex Washer Hd., Type F.....	4
41	00-118365	Decal – Hobart.....	1
42	WS-003-43	Washer.....	2
43	SC-036-06	Cap Screw 1/4-20 x 1 Hex Hd.....	2
44	00-874223	Strap Assy. – Front.....	1

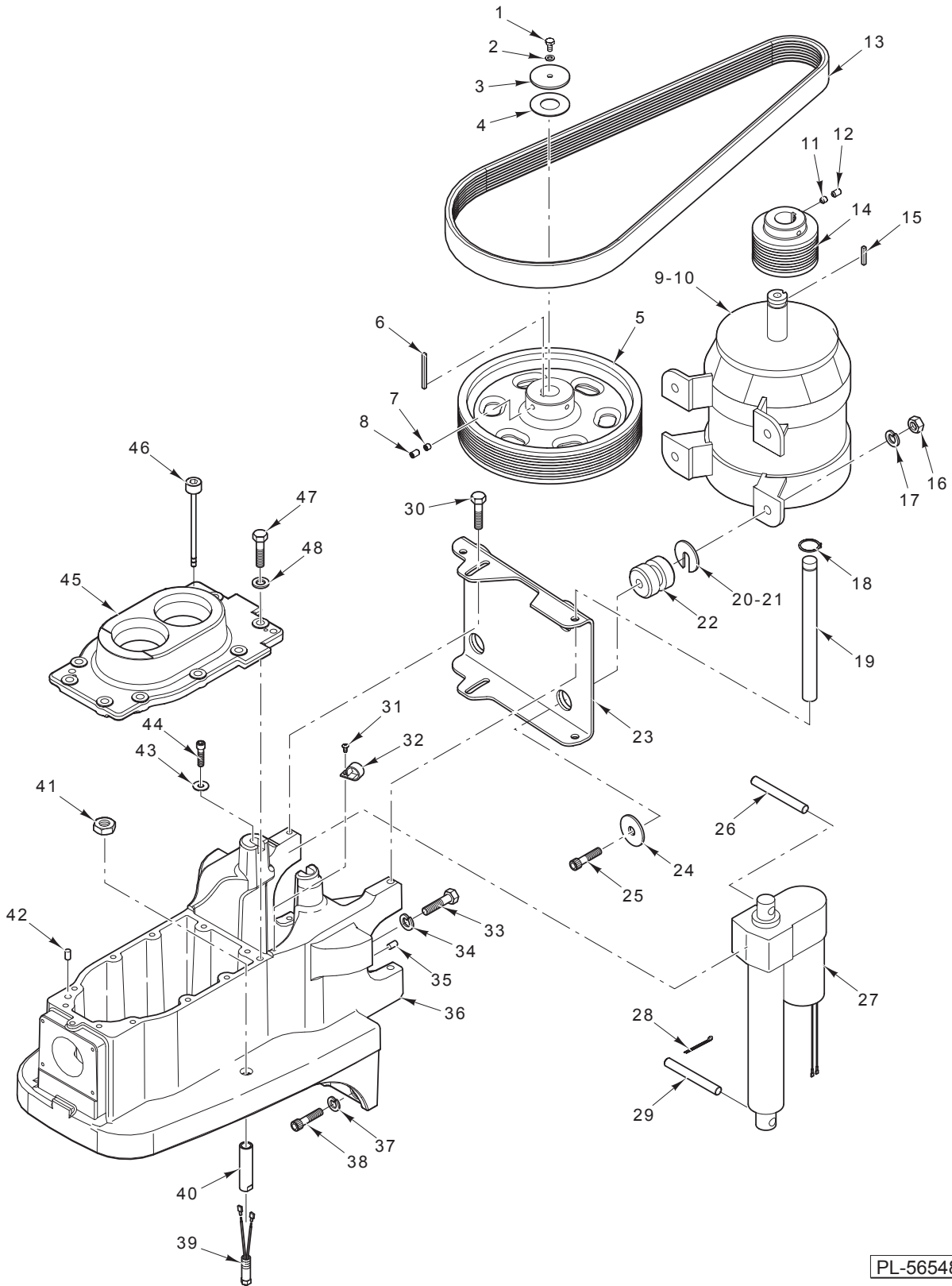


PL-57894

BOWL SUPPORT

BOWL SUPPORT

ILLUS. PL-57894	PART NO.	NAME OF PART	AMT.
1	SC-062-20	Cap Screw 1/4-20 x 3/8 Hex Hd.....	4
2	WL-003-38	Lockwasher 1/4 Helical.....	4
3	00-874357	Cover – Apron.....	1
4	00-874324	Apron – Lower.....	1
5	00-873885	Slideway.....	2
6	00-011800-00143	Dowel.....	2
7	WL-004-02	Lockwasher 3/8 Helical.....	12
8	SC-092-62	Cap Screw 3/8-16 x 1 1/2 Hex Soc. Hd.....	12
9	PB-004-90	Cap.....	12
10	00-875356	Handle – Lift Lever.....	1
11	00-874197	Shaft – Bowl Pin Handle.....	1
12	00-874220	Handle – Bowl Pin.....	1
13	00-874138	Bushing – Bowl Pin Cam.....	1
14	00-874218	Clevis – Bowl Lock.....	1
15	00-874388	Detent – Clevis Lock.....	1
16	00-070641-00009	Thumb Screw.....	2
17	00-874903	Switch Assy.....	1
18	00-874219	Pin – Bowl (RH).....	1
19	00-874499	Bushing – Bowl Lock Pin.....	2
20	00-874506	Button – Rest Bowl.....	1
21	00-874113	Ramp – Wear.....	1
22	WL-003-12	Washer.....	1
23	SC-040-92	Cap Screw 8-32 x 1 Hex Soc. Hd.....	1
24	00-874198	Spring – Bowl Pin.....	1
25	WL-003-38	Lockwasher 1/4 Helical.....	2
26	SC-036-14	Cap Screw 1/4-20 x 1/2 Hex Hd.....	2
27	00-874199	Strap – Spring Retaining.....	1
28	RP-005-12	Roll Pin 0.187 x 1.250 Lg.....	1
29	00-874496	Spring – Pushplate.....	1
30	00-874464	Plate – Push.....	1
31	00-875734	Switch – Reed (Fused).....	1
32	00-874887	Holder – Magnet (Upper).....	1
33	00-874875	Magnet – Disc.....	1
34	00-874886	Holder – Magnet (Lower).....	1
35	00-916079	Bracket – Magnet.....	1
36	NS-013-14	Nut 5/16-18 Hex.....	1
37	SC-041-13	Cap Screw 5/16-18 x 1 Hex Hd. (SST).....	1
38	SC-041-13	Cap Screw 5/16-18 x 1 Hex Hd. (SST).....	1
39	NS-013-14	Nut 5/16-18 Hex.....	1
40	WS-005-33	Washer (SST).....	1
41	WS-006-36	Washer.....	3
42	00-874492	Bushing – Bowl-In.....	1
43	00-874458	Plunger – Bowl-In.....	1
44	00-873844-00002	Yoke.....	1
45	00-873845	Pin – Bowl.....	1
46	00-874084	Bushing – Bowl Support.....	1
47	00-873846	Pin – Bowl.....	1
48	00-874084	Bushing – Bowl Support.....	1
49	WL-004-12	Lockwasher 1/2 Helical.....	1
50	NS-013-30	Nut 1/2-13 Hex.....	1
51	WL-004-12	Lockwasher 1/2 Helical.....	1
52	NS-013-30	Nut 1/2-13 Hex.....	1
	00-874139	Bowl Lock Handle Assy. (Incls. Items 10, 11, & 12).....	1

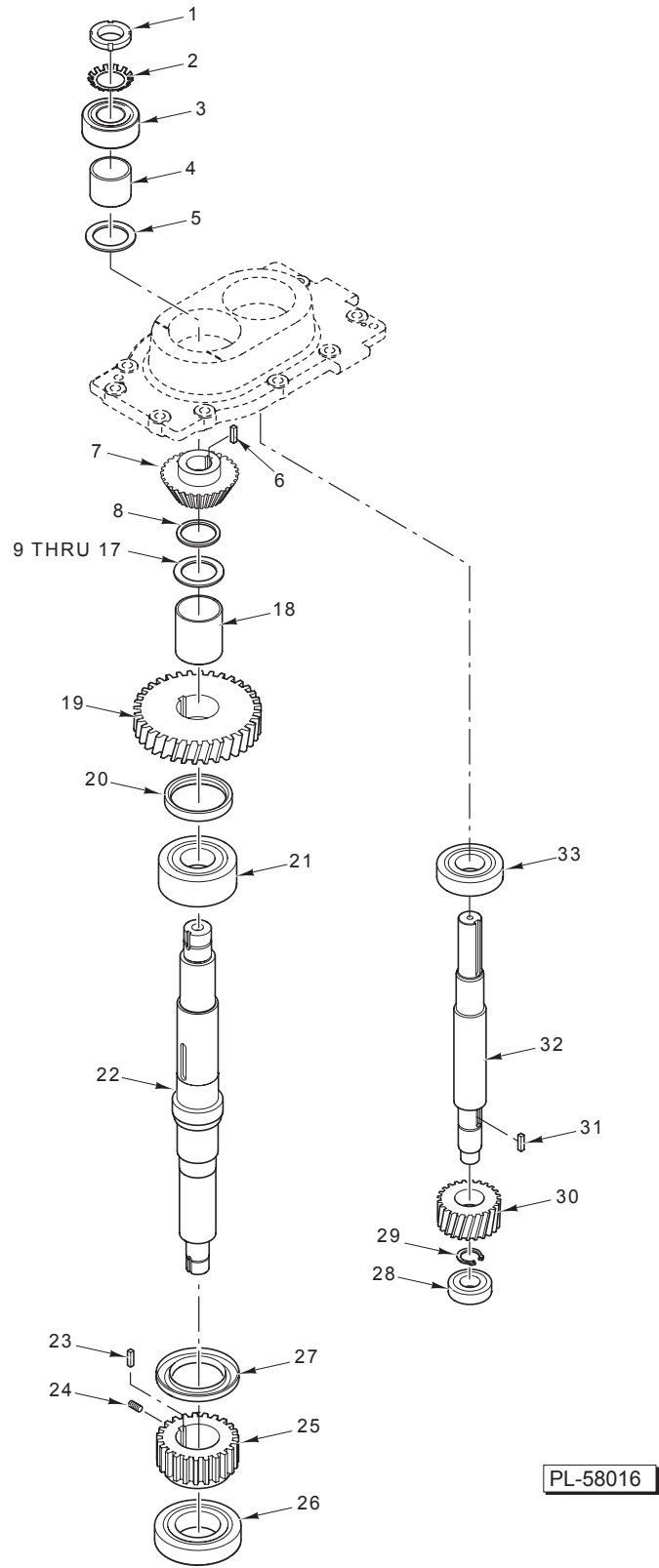


PL-56548

TRANSMISSION CASE AND MOTOR

TRANSMISSION CASE AND MOTOR

ILLUS.	PART NO.	NAME OF PART	AMT.
	PL-56548		
1	SC-036-14	Cap Screw 1/4-20 x 1/2 Hex Hd.....	1
2	WL-003-38	Lockwasher 1/4 Helical.....	1
3	00-874345-00003	Washer – Special.....	1
4	00-874345-00004	Washer – Special.....	1
5	00-874000	Sheave – Driven.....	1
6	00-012430-00177	Key 1/4 x 1/4 x 2 1/2.....	1
7	SC-047-31	Set Screw 5/16-18 x 5/16 Hex Hdls., Cup Pt.....	2
8	SC-047-34	Set Screw 5/16-18 x 1/2 Hex Hdls., Cup Pt.....	2
9	00-873943-00001	Motor – Switch Reluctance (200-240/50/60/3/1).....	1
10	00-873943-00002	Motor – Switch Reluctance (380-460/50/60/3).....	1
11	SC-047-31	Set Screw 5/16-18 x 5/16 Hex Hdls., Cup Pt.....	2
12	SC-047-34	Set Screw 5/16-18 x 1/2 Hex Hdls., Cup Pt.....	2
13	00-873921	Belt.....	1
14	00-873999	Sheave – Drive.....	1
15	00-012430-00163	Key 1/4 x 1/4 x 1 3/4.....	1
16	NS-013-30	Nut 1/2-13 Hex.....	4
17	WL-004-12	Lockwasher 1/2 Helical.....	4
18	RR-004-19	Retaining Ring.....	2
19	00-874241	Pin – Pivot Motor Bracket.....	1
20	00-874373-00001	Shim – Motor (0.059).....	AR
21	00-874345-00001	Washer.....	AR
22	00-874346	Isolator.....	4
23	00-874349	Plate – Motor Assy.....	1
24	00-874345-00001	Washer.....	4
25	SC-087-54	Cap Screw 1/2-13 x 3 1/4 Hex Soc. Hd.....	4
26	00-874315	Pin – Actuator (Upper).....	1
27	00-874057	Actuator (Bowl Lift).....	1
28	PC-003-50	Cotter Pin 7/64 x 1 Lg.....	1
29	00-874117	Pin – Clevis.....	1
30	SC-123-50	Cap Screw 3/8-16 x 1 Hex Washer Hd.....	2
31	SC-018-62	Mach. Screw 10-24 x 3/8.....	1
32	00-294677-00003	Clamp.....	1
33	SC-062-67	Cap Screw 1/2-13 x 2 1/4 Hex Hd.....	2
34	WL-004-11	Lockwasher 1/2 Helical.....	2
35	00-011800-00221	Dowel.....	2
36	00-873996-00002	Case – Transmission.....	1
37	WL-004-11	Lockwasher 1/2 Helical.....	2
38	SC-040-36	Cap Screw 1/2-13 x 1 3/4 Soc. Hex Hd.....	2
39	00-874958-00002	Switch – Reed & Extension.....	1
40	00-874128	Extension – Bowl Guard Switch (Bowl Guard).....	1
41	NS-017-46	Nut – Jam 3/4-10 Hex.....	1
42	00-011800-00224	Dowel.....	2
43	WS-006-36	Washer.....	2
44	SC-040-16	Cap Screw 5/16-18 x 1 Hex Soc. Hd.....	2
45	00-873916-00002	Cover – Transmission.....	1
46	00-874131	Dipstick.....	1
47	SC-062-48	Cap Screw 3/8-16 x 1 1/8 Hex Hd.....	10
48	WL-004-04	Lockwasher 3/8 Helical.....	10

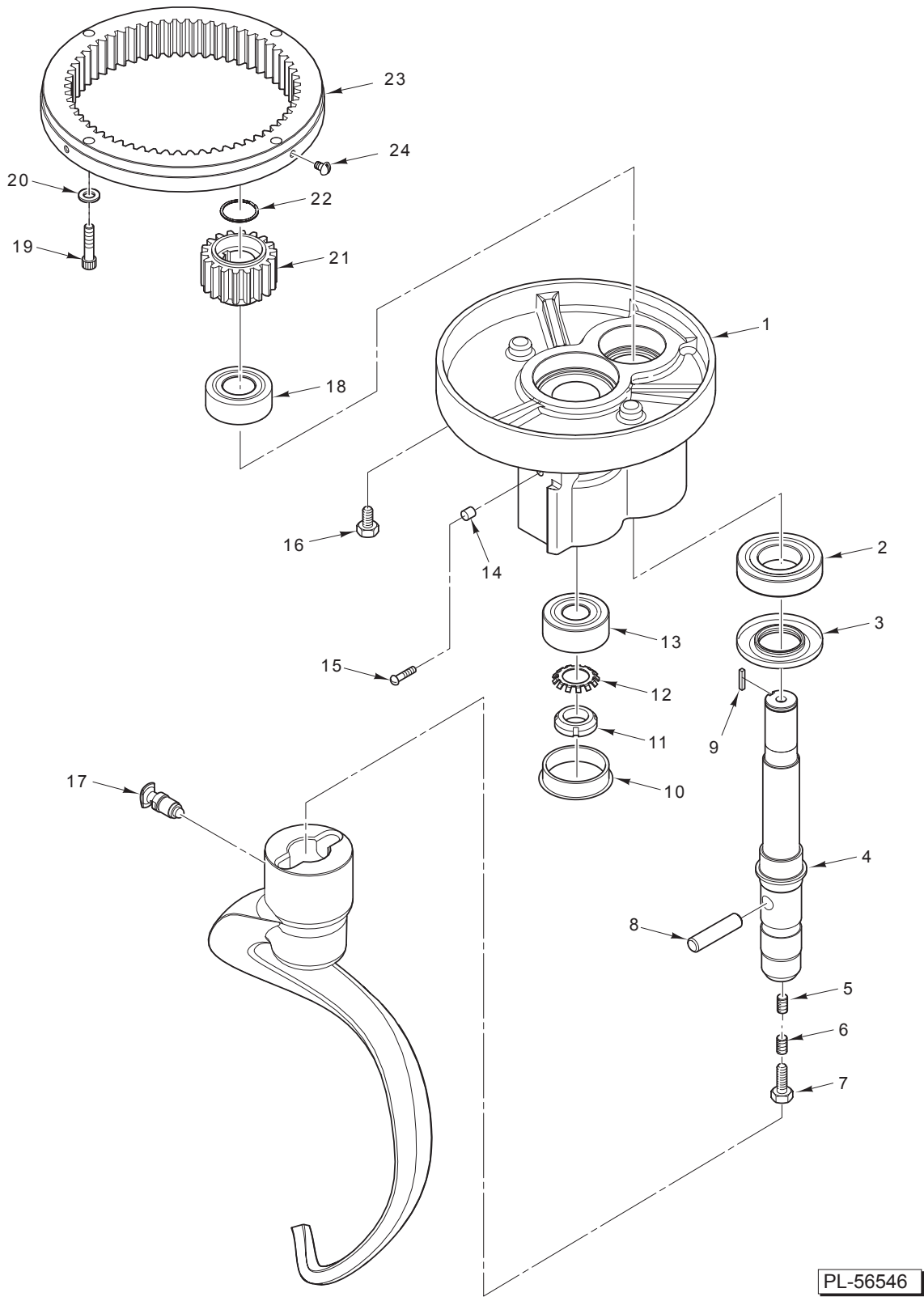


PL-58016

TRANSMISSION

TRANSMISSION

ILLUS.	PART NO.	NAME OF PART	AMT.
PL-58016			
1	NS-034-07	Lock Nut.....	1
2	WL-017-07	Lockwasher – Bearing 1.500 x 1.953	1
3	BB-021-35	Ball Bearing (SKF-5206 A-2RS/C3/HT51).....	1
4	00-874293	Spacer (1.505 I.D.)	1
5	00-874283-00002	Shim – Gear.....	AR
6	00-875419-00071	Key $5/16 \times 5/16 \times 1\frac{5}{8}$	1
7	00-874282	Gear – Bevel (30T)	1
8	00-874384	Spacer – Gear	1
9	00-874283-00001	Shim – Gear.....	AR
10	00-874283-00002	Shim – Gear.....	AR
11	00-874283-00003	Shim – Gear.....	AR
12	00-874283-00004	Shim – Gear.....	AR
13	00-874283-00005	Shim – Gear.....	AR
14	00-874283-00006	Shim – Gear.....	AR
15	00-874283-00007	Shim – Gear.....	AR
16	00-874283-00008	Shim – Gear.....	AR
17	00-874283-00009	Shim – Gear.....	AR
18	00-874294	Spacer (1.755 I.D.)	1
19	00-873914	Gear – Drive	1
20	00-873922	Spacer – Planetary Shaft.....	1
21	BB-009-30	Ball Bearing	1
22	00-873908	Shaft – Planetary	1
23	00-875419-00075	Key $5/16 \times 5/16 \times 1\frac{1}{16}$	1
24	SC-047-12	Set Screw $1/4-20 \times 3/8$ Soc. Hdls., Knife Cup Pt.	1
25	00-873912	Gear – Sun	1
26	BB-007-01	Ball Bearing	1
27	00-873939	Seal.....	1
28	BB-007-14	Ball Bearing	1
29	RR-009-07	Retaining Ring	1
30	00-873915	Gear – Pinion.....	1
31	00-012430-00048	Key $3/16 \times 3/16 \times 3/4$	1
32	00-873913	Shaft – Input	1
33	BB-006-36	Ball Bearing	1

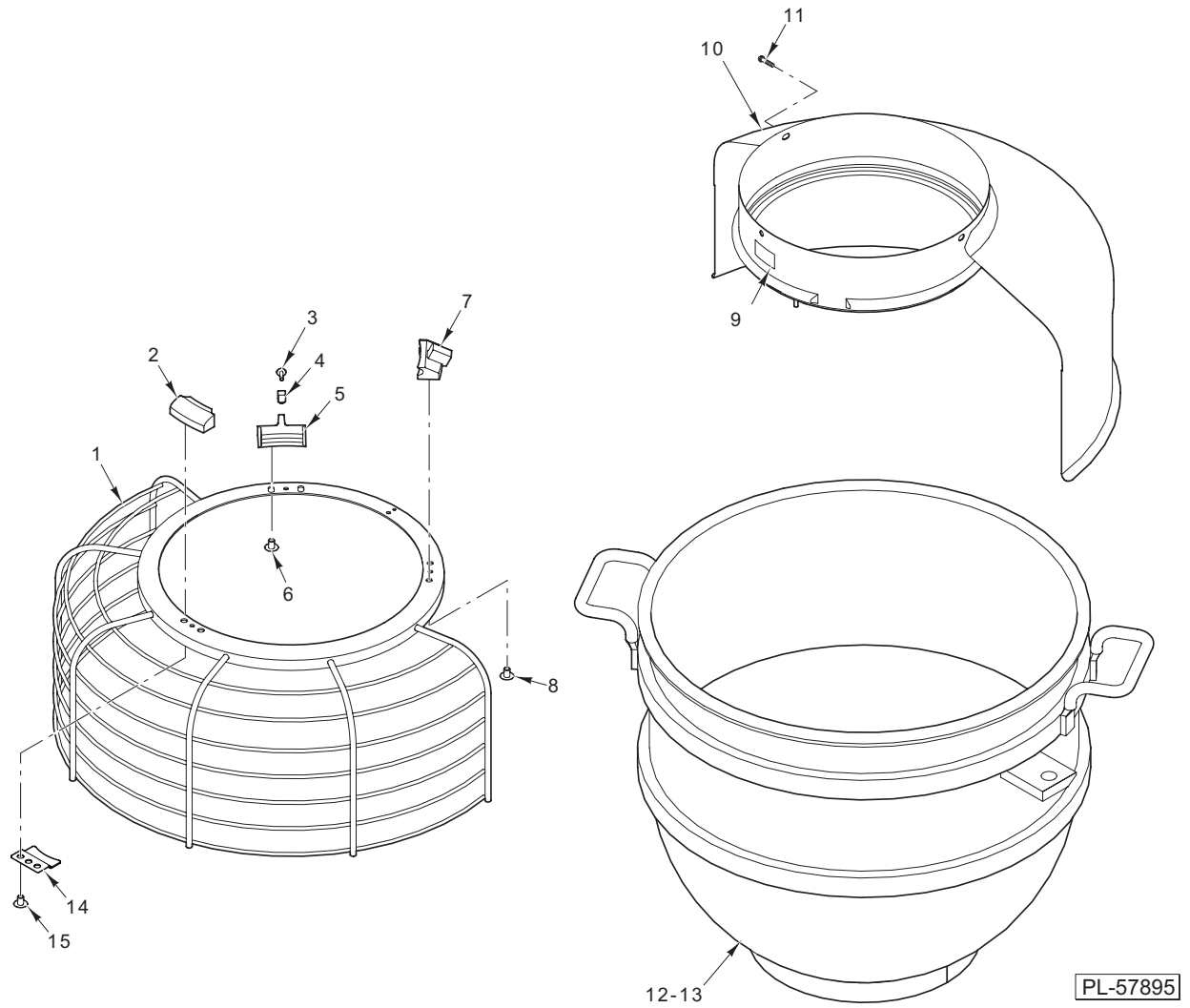


PL-56546

PLANETARY

PLANETARY

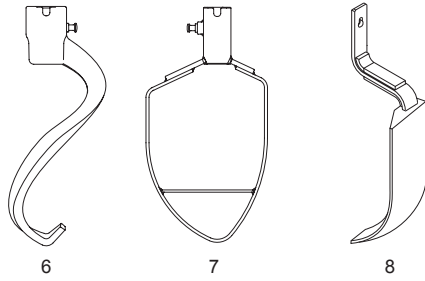
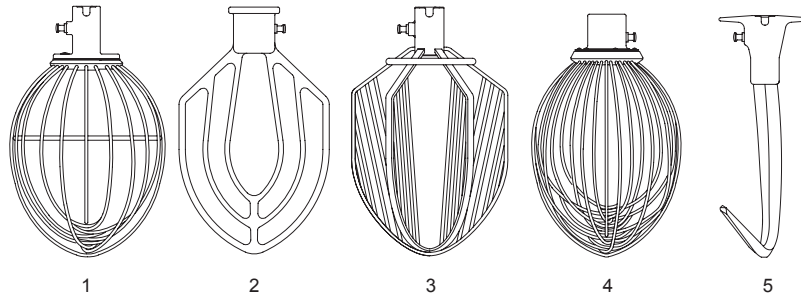
ILLUS.	PART NO.	NAME OF PART	AMT.
PL-56546			
1	00-873995-00002	Planetary.....	1
2	BB-007-01	Ball Bearing	1
3	00-292288	Seal.....	1
4	00-873923	Shaft – Agitator	1
5	00-007744	Set Screw – Hdls., Cone Pt.	1
6	SC-047-41	Set Screw ³ / ₈ -16 x ³ / ₈ Soc. Hdls., Cup Pt.	1
7	00-064723	Plug – Agitator Shaft.....	1
8	00-873953	Pin – Agitator Shaft.....	1
9	00-012430-00154	Key ¹ / ₄ x ¹ / ₄ 1 ³ / ₈	1
10	00-874291	Plug – Planetary (Plastic)	1
11	NS-034-06	Lock Nut.....	1
12	WL-012-06	Lockwasher – Bearing 0.989 x 1.719	1
13	BB-021-52	Ball Bearing	1
14	00-874181	Spacer – Scraper Arm	1
15	SC-021-54	Mach. Screw ⁵ / ₁₆ -18 x ⁷ / ₈ Slotted Rd. Hd. (SST)	1
16	SC-041-26	Cap Screw ³ / ₈ -16 x ¹ / ₂ Hex Hd. (SST)	2
17	00-874145	Plunger Assy.	1
18	BB-021-35	Ball Bearing	1
19	SC-040-23	Cap Screw ³ / ₈ -16 x 1 ¹ / ₄ Hex Soc. Hd.....	4
20	WL-019-92	Lockwasher ³ / ₈ Helical.....	4
21	00-024270	Pinion – Internal (18T)	1
22	RR-005-08	Retaining Ring	1
23	00-437692	Gear – Internal.....	1
24	SC-021-37	Mach. Screw ¹ / ₄ -20 x ³ / ₈ Slotted Rd. Hd. (SST).....	3



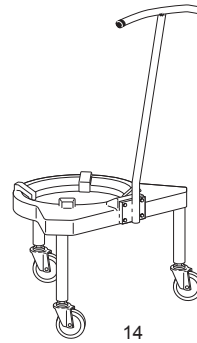
BOWL GUARD

BOWL GUARD

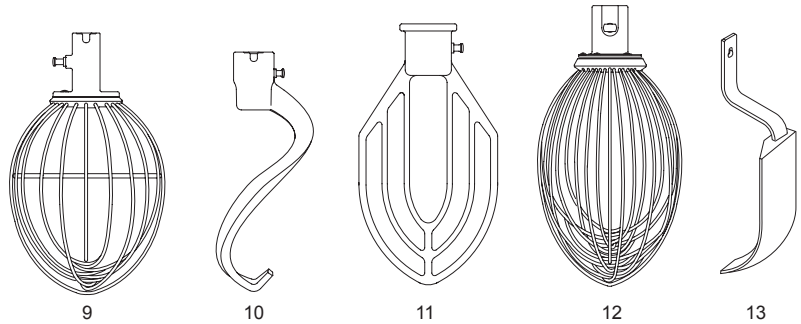
ILLUS.	PART NO.	NAME OF PART	AMT.
PL-57895			
1	00-874124	Wire Cage.....	1
2	00-874126	Shoe – Front.....	1
3	SC-123-07	Mach. Screw 8-32 x 1/2 Slotted Truss Hd.	1
4	00-437720	Key – Shoe.....	1
5	00-437433-00003	Shoes – Adjustable.....	1
6	SC-122-45	Mach. Screw 1/4-20 x 3/8 Slotted Truss Hd.	2
7	00-874127	Shoe – Fixed.....	1
8	SC-122-45	Mach. Screw 1/4-20 x 3/8 Slotted Truss Hd.	2
9	00-875726	Label – Cage.....	1
10	00-874123	Guard – Splash & Drip.....	1
11	SC-021-37	Mach. Screw 1/4-20 x 3/8 Slotted Rd. Hd. (SST).....	3
12	00-875603	Bowl Assy. (60 Quart) (Packaged).....	1
13	00-875604	Bowl Assy. (40 Quart) (Packaged) (Not Shown).....	1
14	00-874168	Stop – Cage.....	1
15	SC-122-45	Mach. Screw 1/4-20 x 3/8 Slotted Truss Hd.	2
	00-512987	Adhesive.....	AR
	00-874125	Wire Cage Assy. (Incls. Items 1 thru 8, 14, & 15).....	1



60-QUART AGITATORS



BOWL TRUCK



40-QUART AGITATORS

PL-56515

AGITATORS AND ACCESSORIES

ILLUS.	PART NO.	NAME OF PART	AMT.
	PL-56515		
1	00-874271	"I" Wire Whip (60 Quart) (Packaged).....	1
2	00-874172	"B" Flat Beater (60 Quart) (Packaged).....	1
3	00-874278	"C" Six Wing Whip (60 Quart) (Packaged).....	1
4	00-874190	"D" Wire Whip (60 Quart) (Packaged).....	1
5	00-874284	"E" Dough Arm (60 Quart) (Packaged).....	1
6	00-874285	"ED" Dough Arm (60 Quart) (Packaged).....	1
7	00-874286	"P" Pastry Knife (60 Quart) (Packaged).....	1
8	00-874267	Bowl Scraper (60 Quart) (Packaged).....	1
9	00-874250	"I" Wire Whip (40 Quart) (Packaged).....	1
10	00-874292	"ED" Dough Arm (40 Quart) (Packaged).....	1
11	00-874248	"B" Flat Beater (40 Quart) (Packaged).....	1
12	00-874249	"D" Wire Whip (40 Quart) (Packaged).....	1
13	00-874268	Bowl Scraper (40 Quart) (Packaged).....	1
14	00-874203	Bowl Truck (Packaged).....	1
	00-438104-00004	Extension – Bowl (SST) (Packaged).....	1
	00-438082	Splash Cover (60 Quart) (Packaged).....	1
	00-438081	Splash Cover (40 Quart) (Packaged).....	1
	00-438824	Chute – Ingredient (Packaged).....	1
	00-874622	Kit – Deck Plate.....	1
	00-874288	Caster – Bowl Truck (4 In.).....	6