



CATALOG OF REPLACEMENT PARTS



GAS-FLAMED ROTISSERIE OVEN

AUTOMATIC

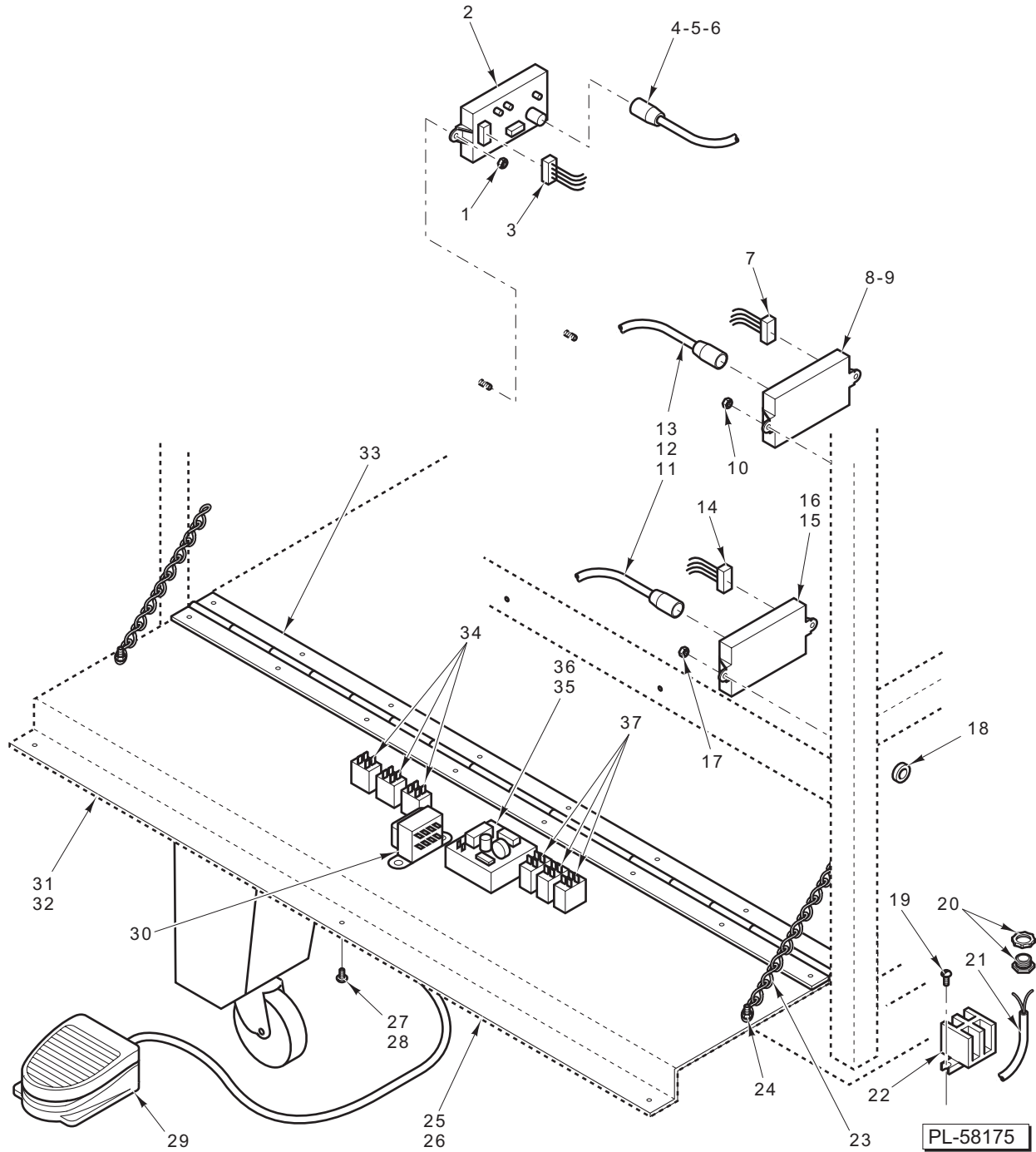
HGFR (NAT)	ML-132055
HGFR (PRO)	ML-132072

PROGRAMMABLE

HGFR (NAT)	ML-132078
HGFR (PRO)	ML-132079

Table of Contents

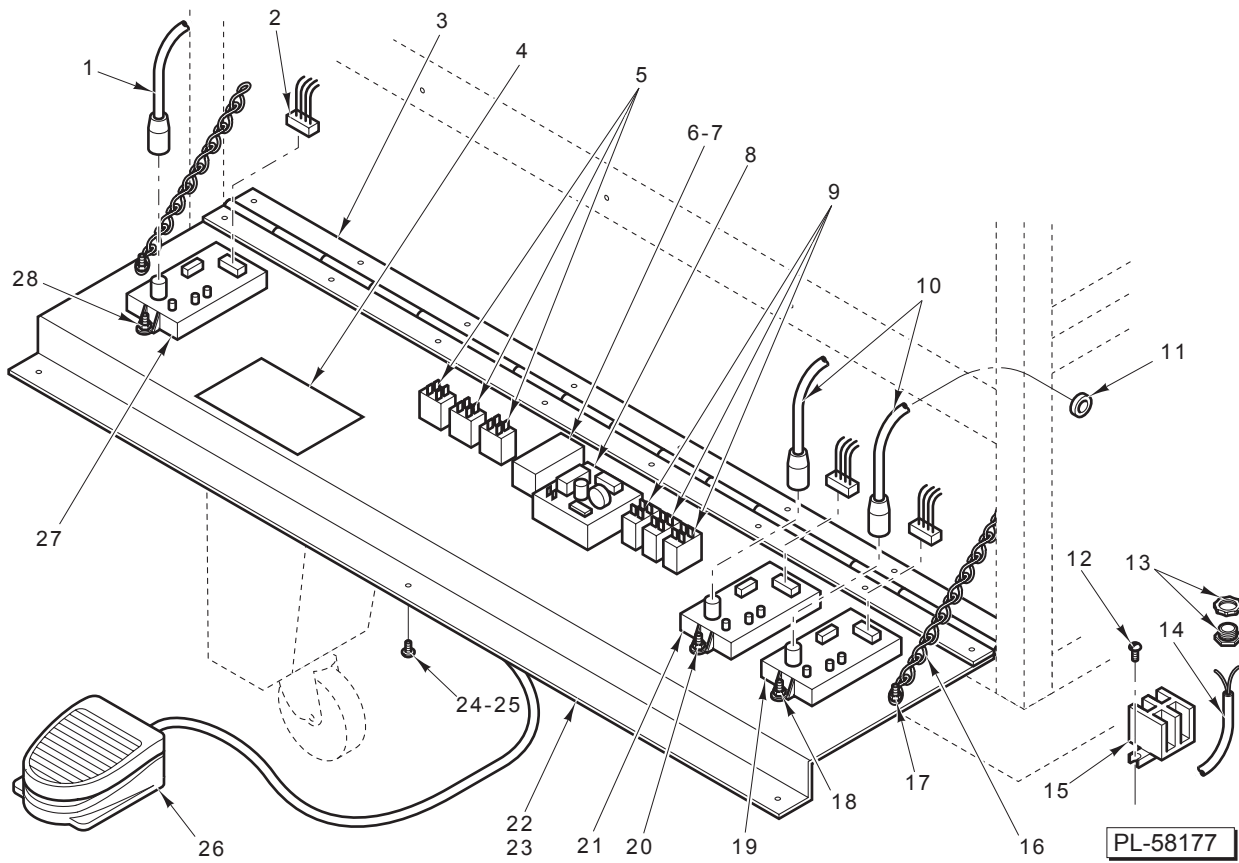
5	PROGRAMMABLE CONTROL PANEL ASSEMBLY
7	AUTOMATIC CONTROL PANEL ASSEMBLY
9	DOORS, LIGHTS, & FRAME ASSEMBLY
11	ROTISSERIE & MOTOR ASSEMBLY
13	WATER BATH & DRAIN UNIT
15	SHOW BURNER
17	UPPER GAS BURNERS
19	GAS MANIFOLD & VALVES (CURRENT CONSTRUCTION)
21	GAS MANIFOLD & VALVES (PREVIOUS CONSTRUCTION)
23	ACCESSORIES



PROGRAMMABLE CONTROL PANEL ASSEMBLY

PROGRAMMABLE CONTROL PANEL ASSEMBLY

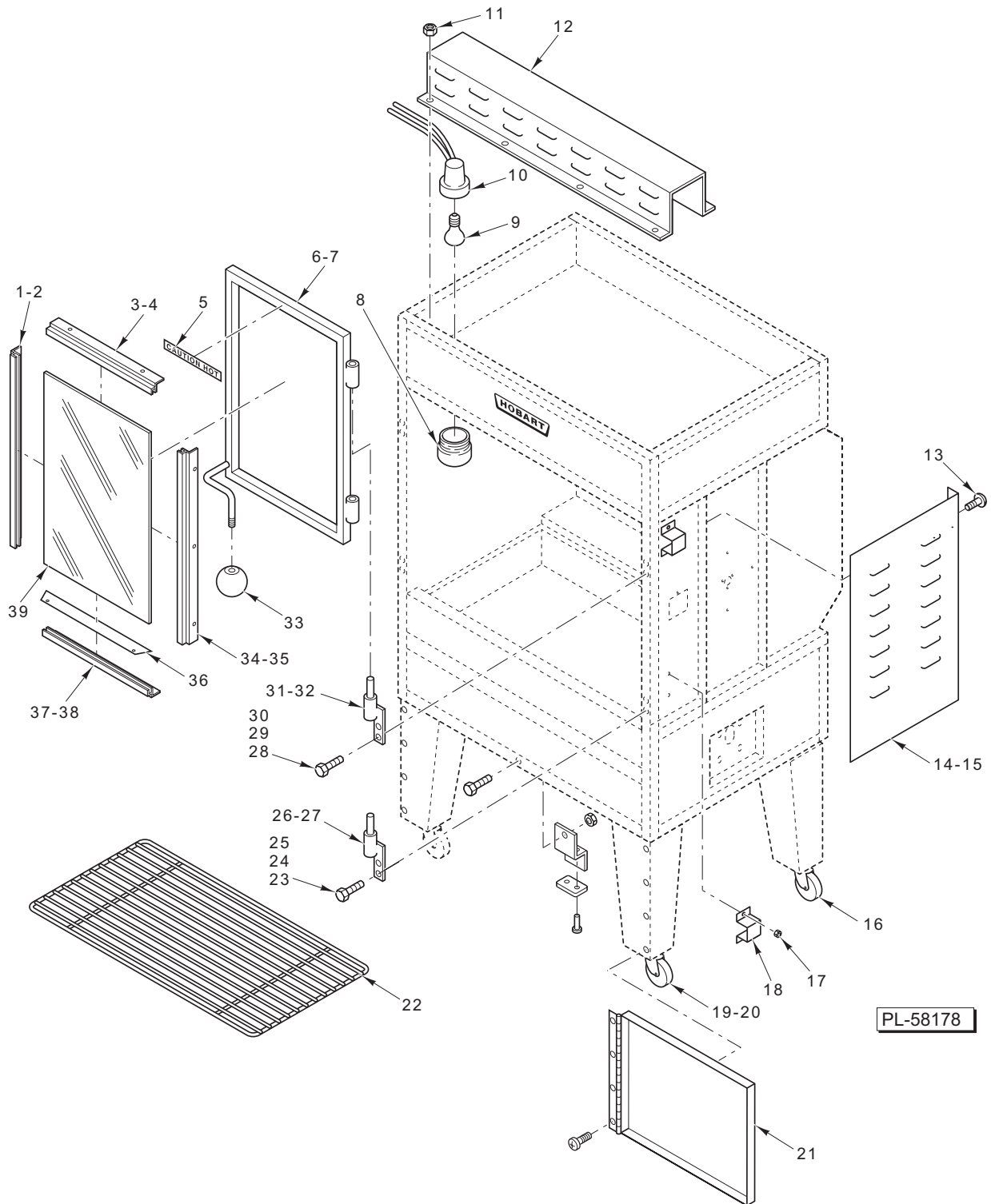
ILLUS. PL-58175	PART NO.	NAME OF PART	AMT.
1	NS-011-07	Nut 6-32 Hex (SST)	2
2	00-877700-00004	Ignition Module	1
3	00-877700-00067	Harness – Module Wiring	1
4	00-877700-00085	Spark Ignitor Cable (Show Burner).....	1
5	00-877700-00149	Filter – Spark Ignitor (4.7 k ohm)	1
6	00-877700-00148	Boot – Rubber Spark	1
7	00-877700-00067	Harness – Module Wiring	1
8	00-877700-00004	Ignition Module	1
9	00-877700-101-2	Bracket – Ignitor Mount (Back)	1
10	NS-011-07	Nut 6-32 Hex (SST)	2
11	00-877700-00086	Spark Ignitor Cable (Upper Burners)	2
12	00-877700-00149	Filter – Spark Ignitor (4.7 k ohm)	2
13	00-877700-0148	Boot – Rubber Spark	2
14	00-877700-00067	Harness – Module Wiring	1
15	00-877700-00004	Ignition Module	1
16	00-877700-101-1	Bracket – Ignitor Mount (Front).....	1
17	NS-011-07	Nut 6-32 Hex (SST)	2
18	00-877700-00087	Grommet (Use With Items 4 & 11)	3
19	SD-017-30	Self-Tapping Screw 6-20 x 3/8 Phil. Flat Hd., Type AB (SST)	2
20	FE-026-17	Connector – Nylon Cord (Use With Item 21)	2
21	00-877700-00128	Power Cord 8 Ft.....	1
22	00-877700-00090	Terminal Block	1
23	00-877700-00065	Chain	2
24	NS-011-23	Nut 10-32 Hex (SST)	4
25	00-877700-00151	Panel – Front Hinged.....	1
26	00-877700-00152	Overlay – Programmable.....	1
27	SC-110-97	Mach. Screw 10-32 x 1/2 Slotted Truss Hd. (SST).....	3
28	WL-014-10	Lockwasher 1/4 External (SST).....	3
29	00-877700-00016	Switch – Foot W/6 Ft. Cord.....	1
30	00-877700-00147	Transformer (120 V./12.6 V.).....	1
31	00-891159	Logo – Hobart	1
32	00-877700-00153	Label – Schematic (ML-132078 & ML-132079)	1
33	00-877700-00066	Hinge – Piano	1
34	00-877700-00150	Switch – Rocker Booted (ML-132078 & ML-132079)	3
35	00-877700-00154	Varistor Assy. Primary (ML-132078 & ML-132079).....	1
36	00-877700-00144	Controller With Mounting Bracket	1
37	00-877700-00150	Switch – Rocker Booted (ML-132078 & ML-132079)	3
	00-877700-00145	Sensor – Temperature Rtd.....	1
	00-877700-00146	Foil – Grounding	2



AUTOMATIC CONTROL PANEL ASSEMBLY

AUTOMATIC CONTROL PANEL ASSEMBLY

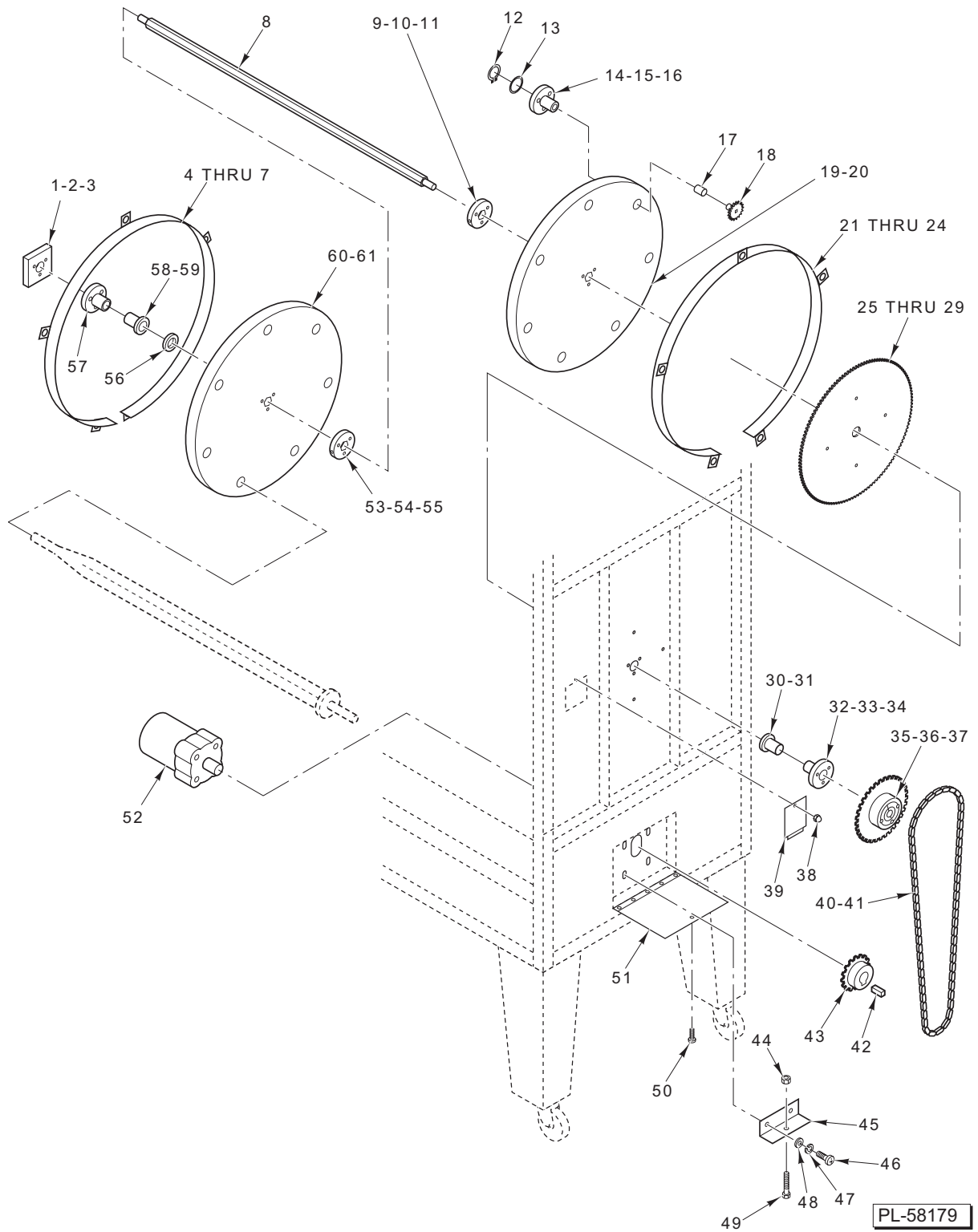
ILLUS. PL-58177	PART NO.	NAME OF PART	AMT.
1	00-877700-00085	Spark Ignitor Cable (Show Burner).....	1
2	00-877700-00067	Harness – Module Wiring	3
3	00-877700-00066	Hinge – Piano	1
4	00-877700-00074	Label – Schematic (ML-132055 & ML-132072).....	1
5	00-877700-00003	Switch – Rocker (ML-132055 & ML-132072).....	3
6	00-877700-00007	Thermostat (Incls. Knob) (ML-132055 & ML-132072).....	1
7	00-877700-00143	Knob – Thermostat (ML-132055).....	1
8	00-877700-00002	Timer – Electronic (ML-132055 & ML-132072).....	1
9	00-877700-00003	Switch – Rocker.....	3
10	00-877700-00086	Spark Ignitor Cable (Upper Burners).....	2
11	00-877700-00087	Grommet (Use With Items 1 & 10).....	3
12	SD-017-30	Self-Tapping Screw 6-20 x 3/8 Phil. Flat Hd., Type AB (SST).....	2
13	FE-026-17	Connector – Nylon Cord (Use With Item 14).....	2
14	00-877700-00128	Power Cord 8 Ft.....	1
15	00-877700-00090	Terminal Block	1
16	00-877700-00065	Chain	2
17	NS-011-23	Nut 10-32 Hex (SST).....	4
18	NS-011-07	Nut 6-32 Hex (SST).....	2
19	00-877700-00004	Ignition Module	1
20	NS-011-07	Nut 6-32 Hex (SST).....	2
21	00-877700-00004	Ignition Module	1
22	00-877700-00059	Panel – Front Hinged.....	1
23	00-877700-00064	Overlay – Control Panel.....	1
24	SC-110-97	Mach. Screw 10-32 x 1/2 Slotted Truss Hd. (SST).....	3
25	WL-014-10	Lockwasher 1/4 External (SST).....	3
26	00-877700-00016	Switch – Foot W/6 Ft. Cord.....	1
27	00-877700-00004	Ignition Module	1
28	NS-011-07	Nut 6-32 Hex (SST).....	2



DOORS, LIGHTS, & FRAME ASSEMBLY

DOORS, LIGHTS, & FRAME ASSEMBLY

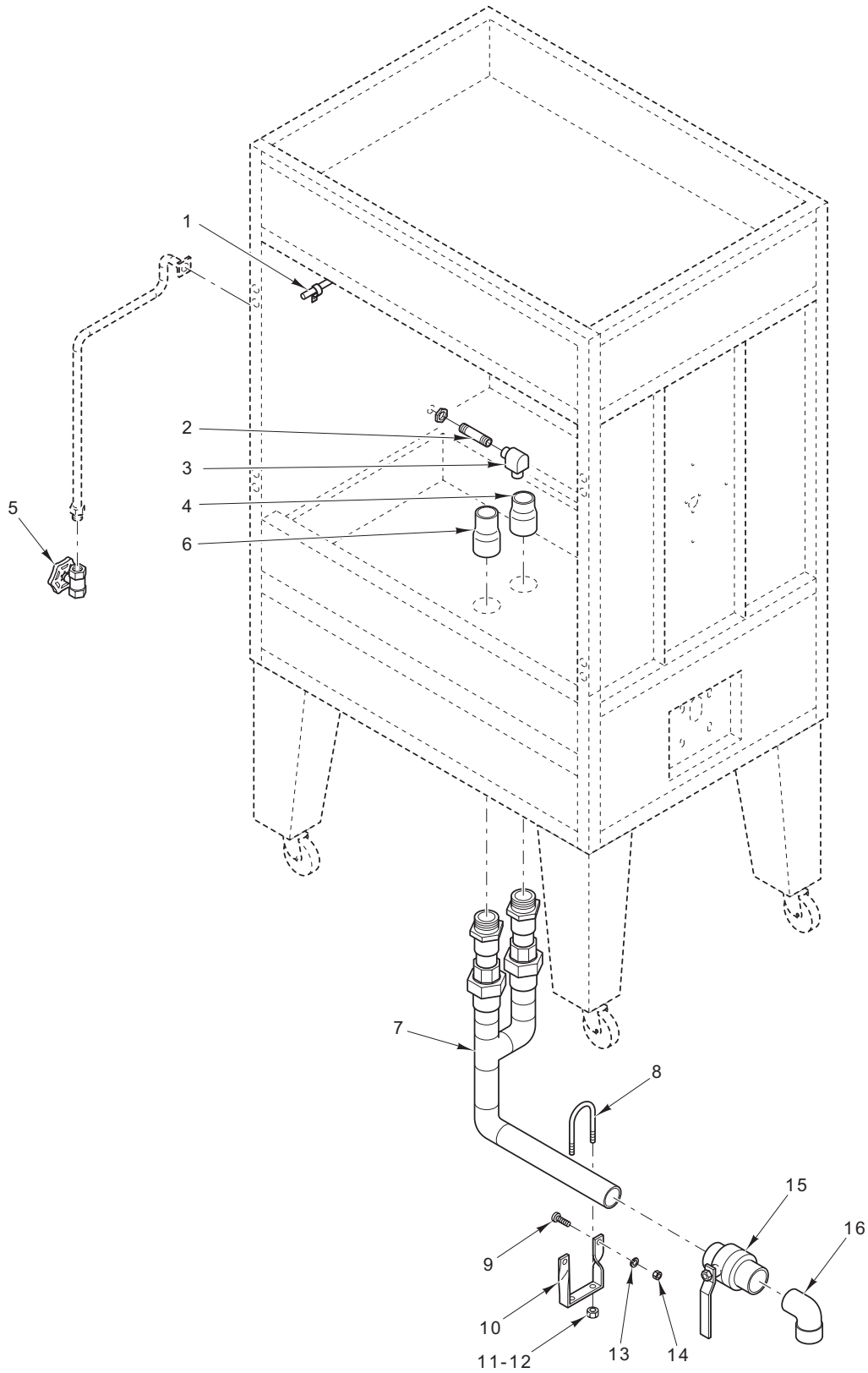
ILLUS.	PART NO.	NAME OF PART	AMT.
	PL-58178		
1	00-877700-00045	Bracket – Door Glass (Side).....	2
2	SC-110-97	Mach. Screw 10-32 x 1/2 Slotted Truss Hd. (SST).....	6
3	00-877700-00046	Bracket – Door Glass (Top).....	2
4	SC-110-97	Mach. Screw 10-32 x 1/2 Slotted Truss Hd. (SST).....	4
5	00-438131-00171	Label (Caution Hot).....	2
6	00-877700-00043	Door Frame – Welded (LH) (Not Shown).....	1
7	00-877700-00088	Door Frame – Welded (RH).....	1
8	00-877700-00092	Lens – Bulb Cover With Gasket.....	4
9	00-342766-00001	Bulb – Appliance (40 W.).....	4
10	00-877700-00091	Lamp Socket Assy. (Incls. Items 8 & 9).....	4
11	NS-011-23	Nut 10-32 Hex (SST).....	AR
12	00-877700-00068	Cover – Lamp Socket.....	1
13	SC-110-97	Mach. Screw 10-32 x 1/2 Slotted Truss Hd. (SST).....	AR
14	00-877700-00053	Panel – Side Access (LH).....	1
15	00-877700-00054	Panel – Side Access (RH) (Not Shown).....	1
16	00-877700-00063	Caster Assy. (Without Brake).....	2
17	NS-011-23	Nut 10-32 Hex (SST).....	8
18	00-877700-00073	Bracket – Support.....	4
19	00-877700-00062	Caster Assy. (With Brake).....	2
20	00-877700-00061	Foot – Leveling (Optional) (Not Shown).....	4
21	00-877701-00021	Doors Set – Lower W/Latch (SST).....	1
22	00-877700-00021	Rack.....	1
23	SC-127-31	Mach. Screw 1/4-20 x 3/4 Hex Hd. (SST).....	4
24	NS-046-38	Nut 1/4-20 Hex (SST).....	4
25	WL-014-10	Lockwasher 1/4 External (SST).....	4
26	00-877700-00052	Hinge – Lower Door (RH).....	1
27	00-877700-00051	Hinge – Lower Door (LH) (Not Shown).....	1
28	SC-127-31	Mach. Screw 1/4-20 x 3/4 Hex Hd. (SST).....	4
29	NS-046-38	Nut 1/4-20 Hex (SST).....	4
30	WL-014-10	Lockwasher 1/4 External (SST).....	4
31	00-877700-00050	Hinge – Upper Door (RH).....	1
32	00-877700-00049	Hinge – Upper Door (LH) (Not Shown).....	1
33	00-877700-00048	Knob – Door Handle (Black).....	2
34	00-877700-00045	Bracket – Door Glass (Side).....	2
35	SC-110-97	Mach. Screw 10-32 x 1/2 Slotted Truss Hd. (SST).....	6
36	00-877700-00047	Drip Shield.....	2
37	00-877700-00046	Bracket – Door Glass (Bottom).....	2
38	SC-110-97	Mach. Screw 10-32 x 1/2 Slotted Truss Hd. (SST).....	4
39	00-877700-00044	Glass.....	2
	00-877700-00096	Frame (Folding Table Option).....	1
	00-877700-00095	Poly Board (Folding Table Option).....	1
	SC-110-97	Mach. Screw 10-32 x 1/2 Slotted Truss Hd. (SST) (Use With Folding Table Option).....	6
	RS-011-12	Rivet 3/16 x 1/2 Button Hd. (SST) (Use With Folding Table Option).....	AR
	00-418959-00001	Nameplate – Hobart.....	1
	00-877701-00033	Let-Set W/Mounting Plates.....	1
	00-877701-00027	Tank – Cleaning.....	1
	00-877701-00028	Table – Prep.....	1
	00-877701-00029	Tray – Landing (SST).....	1
	00-877701-00030	Table – Landing.....	1
	00-438131-00172	Label – Installation.....	2
	00-438131-061-1	Label – California Warning.....	1



ROTISSERIE & MOTOR ASSEMBLY

ROTISSERIE & MOTOR ASSEMBLY

ILLUS.	PART NO.	NAME OF PART	AMT.
	PL-58179		
1	SC-127-31	Mach. Screw 1/4-20 x 3/4 Hex Hd. (SST).....	3
2	NS-013-02	Nut 1/4-20 Hex	3
3	00-877700-00082	Plate – Retainer	1
4	00-877700-00029	Drip Band	1
5	NS-048-89	Crown Nut 10-32.....	4
6	SC-110-97	Mach. Screw 10-32 x 1/2 Slotted Truss Hd. (SST).....	4
7	SC-126-53	Mach. Screw 10-32 x 1/4 Phil. Truss Hd. (SST).....	2
8	00-877700-00026	Shaft – Drive	1
9	00-877700-00079	Bolt – Locking Special	3
10	SC-128-50	Cap Screw 5/16-18 x 1 1/2 Hex Flat Hd. (SST)	3
11	NS-048-89	Crown Nut 10-32.....	3
12	00-877700-00013	Retaining Ring	AR
13	00-877700-00077	Washer.....	AR
14	00-877700-00014	Bearing – Spit Drive.....	AR
15	SC-123-73	Mach. Screw 10-32 x 3/4 Hex Hd. (SST)	AR
16	NS-011-23	Nut 10-32 Hex (SST)	AR
17	00-877700-00015	Bushing – Teflon	AR
18	00-877700-00023	Gear – Spit.....	AR
19	00-877700-00230	Disc – Right Rotor (7 Positions).....	1
20	00-877700-00231	Disc – Right Rotor (8 Positions).....	1
21	00-877700-00029	Drip Band	1
22	NS-048-89	Crown Nut 10-32.....	4
23	SC-110-97	Mach. Screw 10-32 x 1/2 Slotted Truss Hd. (SST).....	4
24	SC-126-53	Mach. Screw 10-32 x 1/4 Phil. Truss Hd. (SST).....	2
25	SC-022-38	Mach. Screw 1/4-20 x 2 Slotted Flat Hd. (SST).....	4
26	00-877700-00025	Spacer – Stationary Gear	4
27	NS-013-02	Nut 1/4-20 Hex	4
28	WL-007-16	Lockwasher 1/4 External	4
29	00-877700-00024	Gear Stationary.....	1
30	00-877700-00036	Bushing – Teflon	1
31	00-877700-00078	Washer – Thrust Bearing	1
32	00-877700-00035	Bearing – Shaft (Right)	1
33	SC-127-31	Mach. Screw 1/4-20 x 3/4 Hex Hd. (SST).....	3
34	NS-013-02	Nut 1/4-20 Hex	3
35	00-877700-00039	Bushing – Tapered	1
36	00-877700-00038	Sprocket – Driven	1
37	00-877700-00125	Key – Upper Drive Sprocket 3/16 x 1	1
38	NS-048-89	Crown Nut 10-32.....	2
39	00-877700-00058	Panel – Access (Spit Drive)	2
40	00-877700-00040	Chain	1
41	00-877700-00041	Master Link	1
42	00-877700-00076	Key – Lower Drive Sprocket 3/16 x 3/4	1
43	00-877700-00037	Sprocket – Drive	1
44	NS-013-02	Nut 1/4-20 Hex	2
45	00-877700-00081	Bracket – Motor Adjusting	1
46	SC-085-39	Cap Screw 1/4-28 x 3/4 Hex Button Hd.	4
47	WL-003-38	Lockwasher 1/4 Helical.....	6
48	WS-003-50	Washer.....	6
49	SC-128-51	Mach. Screw 1/4-20 x 2 1/2 Slotted Truss Hd. (SST)	1
50	SC-110-97	Mach. Screw 10-32 x 1/2 Slotted Truss Hd. (SST).....	2
51	00-877700-00055	Panel – Access	2
52	00-877700-00142	Motor – Drive (W/Capacitor) (Incls. Item 42)	1
53	NS-048-89	Crown Nut 10-32.....	3
54	00-877700-00079	Bolt – Locking Special	3
55	SC-128-50	Cap Screw 5/16-18 x 1 1/2 Hex Flat Hd. (SST)	3
56	00-877700-00117	Spacer – Metal.....	1
57	00-877700-00033	Bearing – Shaft (Left).....	1
58	00-877700-00034	Bushing – Teflon	1
59	00-877700-00078	Washer – Thrust Bearing	1
60	00-877700-00227	Disc – Left Rotor (7 Positions).....	1
61	00-877700-00228	Disc – Left Rotor (8 Positions).....	1
	00-877700-00080	Lubricant – Chain & Gear	AR

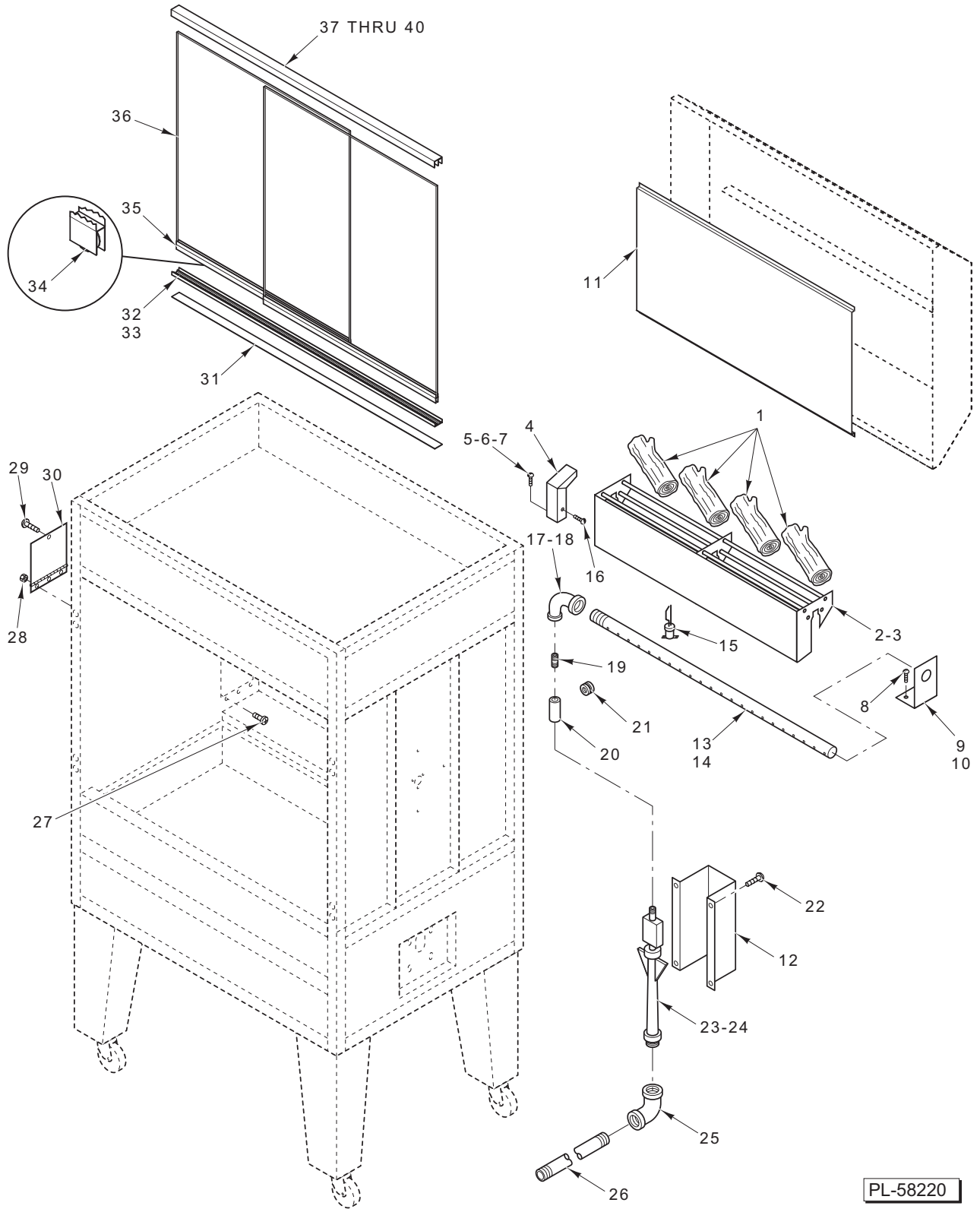


PL-58180

WATER BATH & DRAIN UNIT

WATER BATH & DRAIN UNIT

ILLUS.	PART NO.	NAME OF PART	AMT.
PL-58180			
1	00-877700-00118	Clamp – Thermostat Bulb	1
2	FP-040-26	Pipe ³ / ₈ x 3 (Brass).....	1
3	FP-015-09	Elbow – Pipe ³ / ₈ x 90 Deg. (Brass).....	1
4	00-877700-00019	Stand Pipe (Skim).....	1
5	00-877700-00115	Valve – Water.....	1
6	00-877700-00020	Stand Pipe (Overflow).....	1
7	00-877700-00098	Drain Piping Assy.	1
8	00-877700-00105	U-Bolt.....	1
9	SC-127-31	Mach. Screw ¹ / ₄ -20 x ³ / ₄ Hex Hd. (SST).....	2
10	00-877700-00097	Support Bracket (Drain).....	1
11	WL-019-18	Lockwasher ¹ / ₄ Helical.....	2
12	NS-013-02	Nut ¹ / ₄ -20 Hex	2
13	WL-019-18	Lockwasher ¹ / ₄ Helical.....	2
14	NS-013-02	Nut ¹ / ₄ -20 Hex	2
15	00-877700-00116	Drain Valve.....	1
16	FP-015-33	Elbow – Pipe 1 ¹ / ₂ x 90 Deg.	1
	00-877701-00025	Kit – Water Hose Quick Disconnect (4 Ft.).....	1

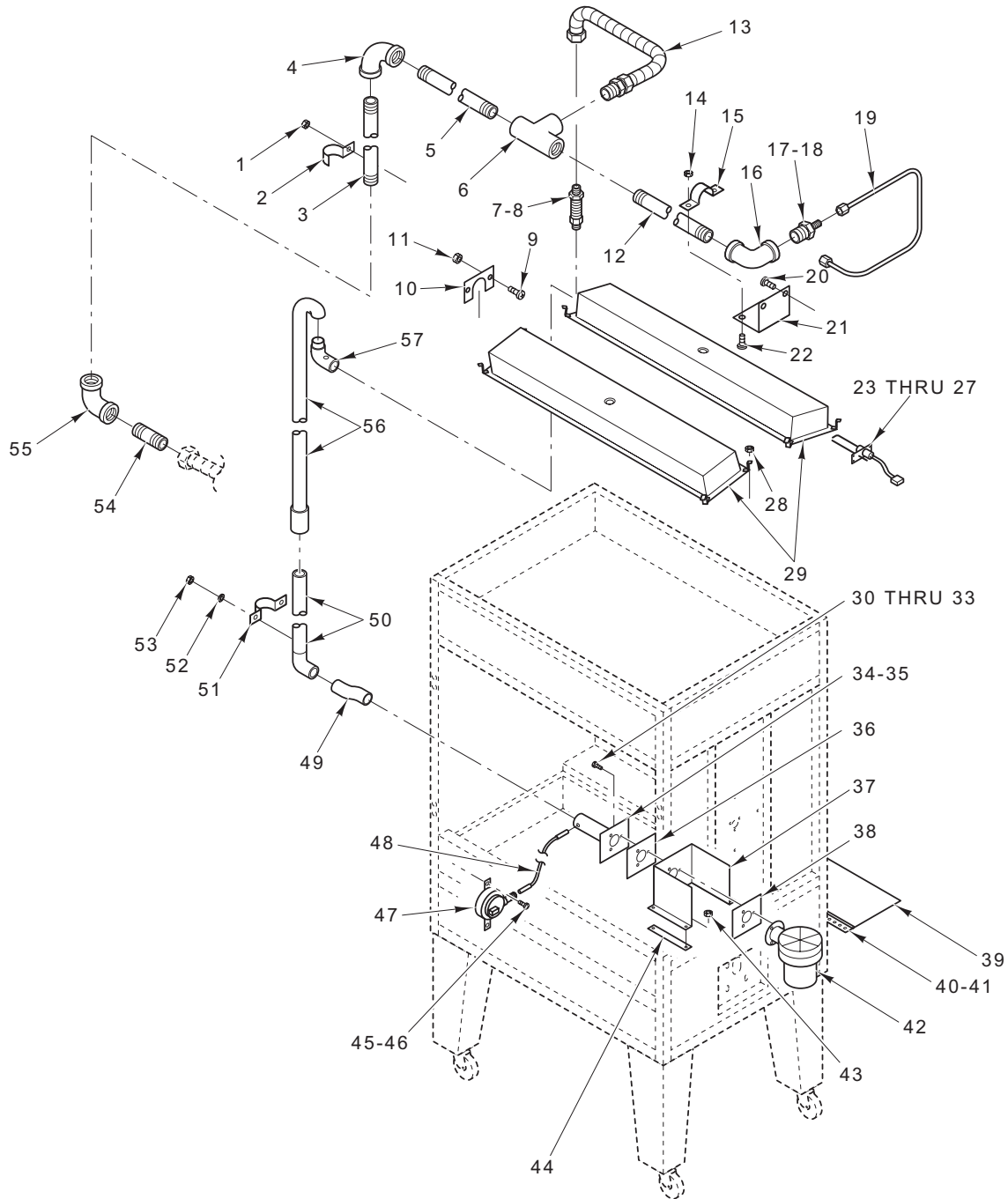


PL-58220

SHOW BURNER

SHOW BURNER

ILLUS. PL-58220	PART NO.	NAME OF PART	AMT.
1	00-877700-00001	Ceramic Log (Single).....	4
2	00-877700-00018	Rack – Ceramic Log (NAT).....	1
3	00-877700-00218	Rack – Ceramic Log (PRO).....	1
4	00-877700-00069	Cover – Ignition Flame Sensor	1
5	SC-123-73	Mach. Screw 10-32 x 3/4 Hex Hd. (SST)	2
6	WS-023-20	Washer.....	2
7	NS-011-23	Nut 10-32 Hex (SST)	2
8	SD-017-42	Self-Tapping Screw 8-18 x 1/2 Phil. Truss Hd., Type AB (SST)	2
9	00-877700-00070	Bracket – Show Burner End (NAT)	1
10	00-877700-00270	Bracket – Show Burner End (PRO)	1
11	00-877700-00017	Panel – Hanging	1
12	00-877700-00057	Cover – Venturi	1
13	00-877700-00071	Show Burner (NAT).....	1
14	00-877700-00271	Show Burner (PRO).....	1
15	00-877700-00006	Ignitor/Flame Sensor – Show Burner.....	1
16	SC-120-21	Mach. Screw 8-32 x 1/2 Hex Washer Hd. (SST)	2
17	FP-013-22	Elbow – Pipe 3/4 x 90 Deg. (NAT).....	1
18	FP-013-31	Elbow – Pipe 1 1/4 x 90 Deg. (PRO)	1
19	00-877700-00155	Pipe 1 1/4 x 4 9/16 (PRO)	1
20	FP-023-38	Coupling – Pipe (1 1/4) (PRO).....	1
21	00-877700-00087	Grommet.....	1
22	SD-017-30	Self-Tapping Screw 6-20 x 3/8 Phil. Flat Hd., Type AB (SST)	4
23	00-877700-00072	Venturi Assy. (Incls. Orifice) (NAT).....	1
24	00-877700-00272	Venturi Assy. (Incls. Orifice) (PRO).....	1
25	FP-013-11	Elbow – Pipe 3/8 x 90 Deg.	1
26	00-877700-00106	Pipe – Gas	1
27	SC-126-53	Mach. Screw 10-32 x 1/4 Phil. Truss Hd. (SST).....	3
28	NS-048-89	Crown Nut 10-32.....	3
29	SC-110-97	Mach. Screw 10-32 x 1/2 Slotted Truss Hd. (SST).....	1
30	00-877700-00056	Panel – Access (Ignitor/Flame Sensor)	1
31	00-877700-00131	Silicon – Glass Track (See-Thru Option)	1
32	00-877700-00130	Track – Glass Lower (SST) (See-Thru Option).....	1
33	SC-115-53	Mach. Screw 10-32 x 3/4 Slotted Truss Hd. (SST) (Attaches Lower Track to Frame)	AR
34	00-877700-00134	Wheel – Shoe (See-Thru Option)	6
35	00-877700-00133	Shoe – Glass (See-Thru Option)	2
36	00-877700-00132	Glass (See-Thru Option).....	2
37	00-877700-00129	Track – Glass Upper (SST) (See-Thru Option).....	1
38	NS-011-23	Mach. Nut 10-32 Hex (SST) (Attaches Track to Top Frame).....	AR
39	WL-017-07	Lockwasher (Attaches Track to Top Frame)	AR
40	WS-023-20	Washer (Attaches Track to Top Frame)	AR
	00-877700-00107	Sleeve Insulation (Use With Item 15)	1

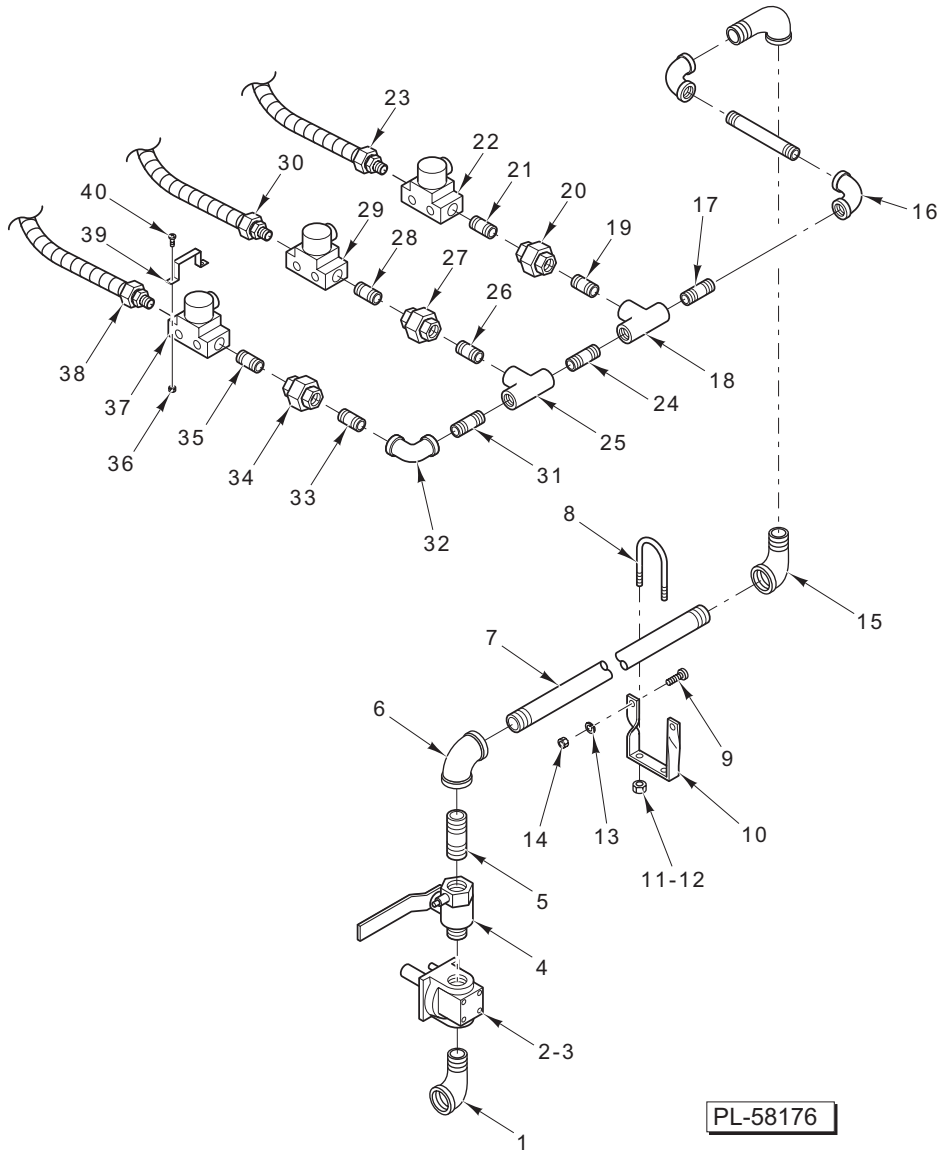


PL-58182

UPPER GAS BURNERS

UPPER GAS BURNERS

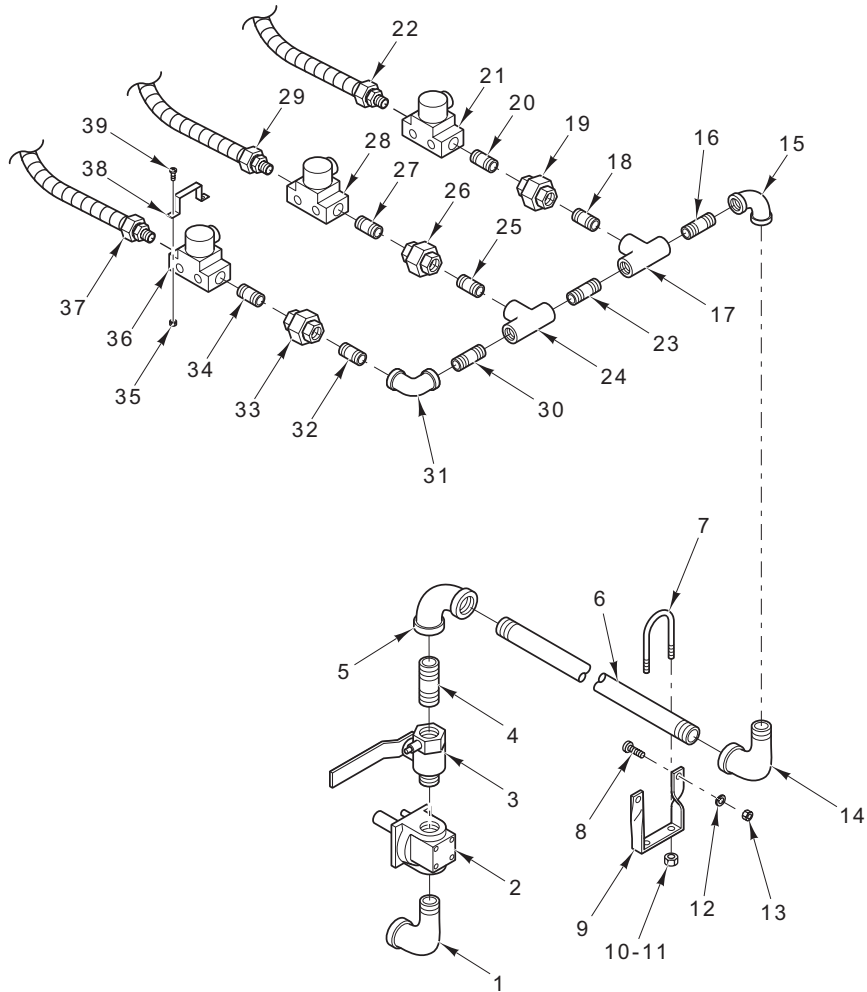
ILLUS. PL-58182	PART NO.	NAME OF PART	AMT.
1	NS-011-23	Nut 10-32 Hex (SST)	4
2	FE-026-19	Clamp One Hole 1/2 In. (Brass)	4
3	00-877700-00108	Pipe – Gas	2
4	FP-013-15	Elbow – Pipe 1/2 x 90 Deg.	2
5	00-877700-00109	Pipe – Gas	2
6	FP-019-25	Tee – Pipe 1/2 x 1/2 x 1/2	2
7	00-877700-00084	Orifice (#32 Drill) (NAT).....	2
8	00-877700-00138	Orifice (PRO)	1
9	SC-110-97	Mach. Screw 10-32 x 1/2 Slotted Truss Hd. (SST).....	4
10	00-877700-00099	Bracket – Pipe Retainer	2
11	NS-031-07	Stop Nut Special 8-32	4
12	00-877700-00110	Pipe – Gas	2
13	00-877700-00112	Flex Tube 1/2 x 10	2
14	NS-011-23	Nut 10-32 Hex (SST)	4
15	FE-026-20	Strap – Pipe Two Hole 1/2 In. (SST)	2
16	FP-016-07	Elbow – Reducing 1/2 x 3/8 90 Deg.	2
17	FP-026-04	Bushing – Pipe 3/8 to 1/8	2
18	FP-047-28	Fitting – Tube 3/16 TBG x 1/8 MPT.....	2
19	00-877700-00126	Tube – Pilot.....	2
20	SC-110-97	Mach. Screw 10-32 x 1/2 Slotted Truss Hd. (SST).....	4
21	00-877700-00100	Bracket – Pipe Support.....	2
22	SC-110-97	Mach. Screw 10-32 x 1/2 Slotted Truss Hd. (SST).....	4
23	00-877700-00005	Ignitor/Flame Sensor – Cook Burner (NAT).....	2
24	00-877700-00135	Ignitor/Flame Sensor – Cook Burner (PRO).....	1
25	00-877700-00101	Bracket – Ignitor/Flame Sensor	2
26	NS-031-07	Stop Nut Special 8-32	8
27	SC-053-35	Mach. Screw 8-32 x 3/8 Slotted Truss Hd. (SST).....	6
28	NS-036-16	Stop Nut Special 10-32.....	8
29	00-877700-00012	Cooking Burner Assy.....	2
30	SC-009-86	Mach. Screw 1/4-20 x 3/4 Slotted Rd. Hd.	6
31	NS-046-38	Nut 1/4-20 Hex (SST).....	6
32	WS-017-25	Washer.....	6
33	WL-003-38	Lockwasher 1/4 Helical.....	6
34	00-877700-00093	Pipe – Blower (W/Flange) (Short).....	1
35	00-877700-00094	Pipe – Blower (W/Flange) (Long)	1
36	00-877700-00083	Gasket	2
37	00-877700-00075	Housing – Blower.....	2
38	00-877700-00083	Gasket	2
39	00-877700-00060	Panel – Hinged (Rear).....	1
40	SC-110-97	Mach. Screw 10-32 x 1/2 Slotted Truss Hd. (SST).....	4
41	00-877700-00066	Hinge – Piano	1
42	00-877700-00009	Blower – Motor.....	2
43	NS-011-23	Nut 10-32 (SST).....	8
44	00-877700-00089	Gasket	4
45	SC-110-97	Mach. Screw 10-32 x 1/2 Slotted Truss Hd. (SST).....	2
46	NS-036-16	Stop Nut Special 10-32.....	2
47	00-877700-00226	Air Pressure Sensor Switch	2
48	00-877700-00120	Tube – Air.....	2
49	00-877700-00121	Tube – Flexible	2
50	00-877700-00102	Pipe Assy. (Lower).....	2
51	FE-026-18	Strap – Pipe Two Hole 1 In. (Copper).....	4
52	WS-023-20	Washer.....	8
53	NS-011-23	Nut 10-32 Special (SST).....	8
54	FP-086-02	Fitting – Tube 1/2 TBG x 1/2 MPT.....	2
55	FP-013-15	Elbow – Pipe 1/2 x 90 Deg.	2
56	00-877700-00103	Pipe Assy. (Upper).....	2
57	00-877700-00104	Adaptor – Burner Connector.....	2
	00-877700-00107	Sleeve – Insulation (Use With Item 23)	2



GAS MANIFOLD & VALVES (CURRENT CONSTRUCTION)

GAS MANIFOLD & VALVES (CURRENT CONSTRUCTION)

ILLUS. PL-58176	PART NO.	NAME OF PART	AMT.
1	FP-076-04	Elbow – Pipe 1 x 90 Deg.	1
2	00-877700-00010	Regulator – Gas Pressure 1 In. (NAT)	1
3	00-877700-00136	Regulator – Gas Pressure 1 In. (PRO)	1
4	00-877700-00022	Gas Shutoff Valve (Manual)	1
5	FP-036-19	Pipe 1 x 3	1
6	FP-013-27	Elbow – Pipe 1 x 90 Deg.	1
7	00-877700-00111	Pipe – Gas	1
8	00-877700-00124	U-Bolt	2
9	SC-115-53	Mach. Screw 10-32 x 3/4 Slotted Truss Hd. (SST)	2
10	00-877700-00122	Support Bracket	2
11	WL-014-10	Lockwasher 1/4 External (SST)	4
12	NS-046-38	Nut 1/4-20 Hex (SST)	4
13	WL-017-07	Lockwasher	2
14	NS-011-23	Nut 10-32 Hex (SST)	2
15	FP-076-04	Elbow – Pipe 1 x 90 Deg.	1
16	FP-079-97	Elbow – Reducing 1 x 3/4	1
17	FP-059-19	Pipe 3/4 x 1 1/2	1
18	FP-019-33	Tee – Pipe 3/4 x 3/4 x 1/2	1
19	FP-035-91	Pipe 1/2 x 1 1/8	1
20	FP-022-11	Union – Pipe 1/2 Straight	1
21	FP-035-91	Pipe 1/2 x 1 1/8	1
22	00-877700-00011	Valve – Gas Solenoid	1
23	00-877700-00113	Flex Tube 3/8 x 12	1
24	FP-036-95	Pipe 3/4 x 2	1
25	FP-019-33	Tee – Pipe 3/4 x 3/4 x 1/2	1
26	FP-035-91	Pipe 1/2 x 1 1/8	1
27	FP-022-11	Union – Pipe 1/2 Straight	1
28	FP-035-91	Pipe 1/2 x 1 1/8	1
29	00-877700-00011	Valve – Gas Solenoid	1
30	00-877700-00114	Flex Tube 1/2 x 16	1
31	FP-036-95	Pipe 3/4 x 2	1
32	FP-078-89	Elbow – Reducing 3/4 x 1/2	1
33	FP-035-91	Pipe 1/2 x 1 1/8	1
34	FP-022-11	Union – Pipe 1/2 Straight	1
35	FP-035-91	Pipe 1/2 x 1 1/8	1
36	NS-011-23	Nut 10-32 Hex (SST)	2
37	00-877700-00011	Valve – Gas Solenoid	1
38	00-877700-00114	Flex Tube 1/2 x 16	1
39	00-877700-00123	Bracket – Valve (SST)	1
40	SC-109-78	Mach. Screw 10-32 x 3/4 Slotted Pan Hd. (SST)	2
	00-877700-00140	Valve – Adjust Pilot (PRO)	2
	00-877700-00141	Restrictor – Blower (PRO)	2

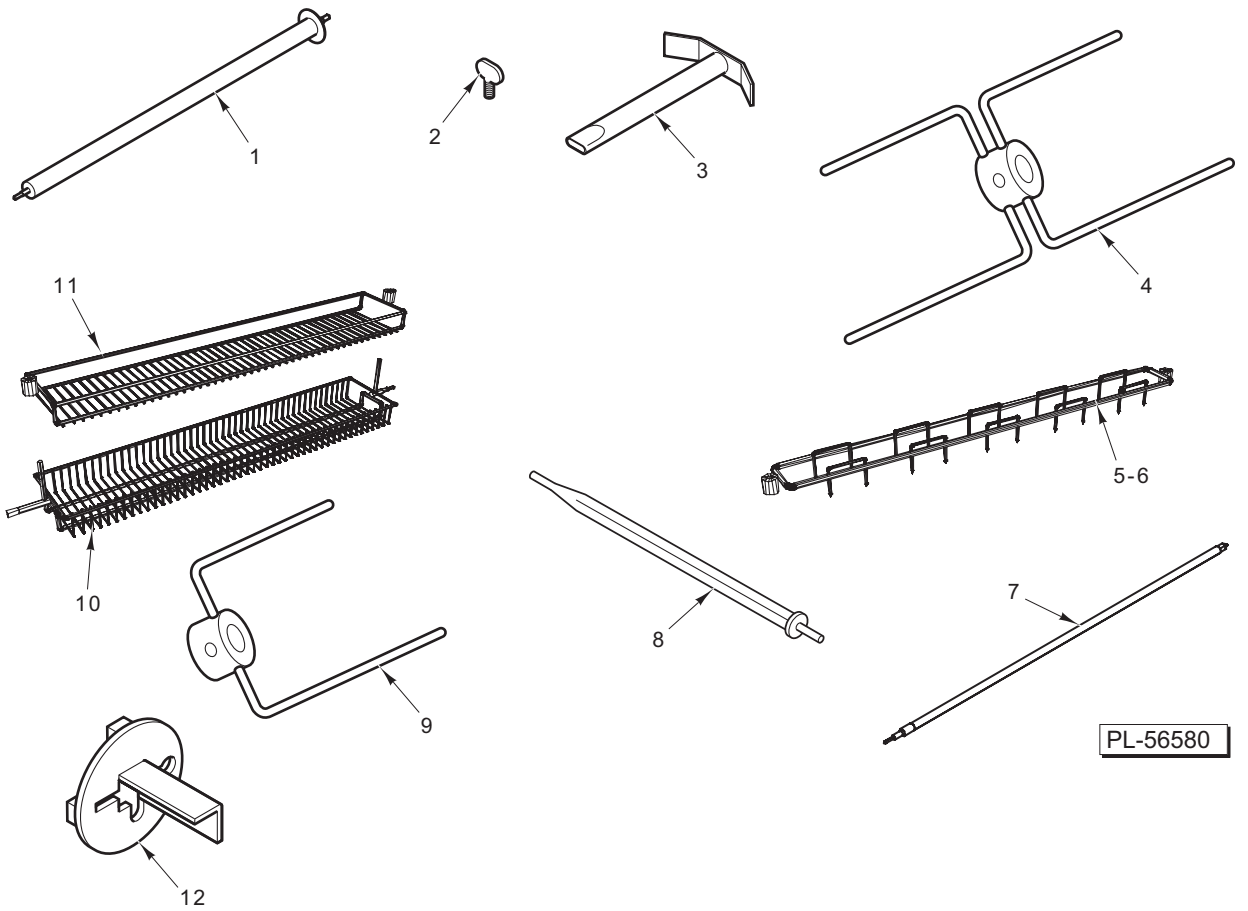


PL-56489

GAS MANIFOLD & VALVES (PREVIOUS CONSTRUCTION)

GAS MANIFOLD & VALVES (PREVIOUS CONSTRUCTION)

ILLUS. PL-56489	PART NO.	NAME OF PART	AMT.
1	FP-076-04	Elbow – Pipe 1 x 90 Deg.	1
2	00-877700-00010	Regulator – Gas Pressure 1 In. (NAT).....	1
3	00-877700-00022	Gas Shutoff Valve (Manual).....	1
4	FP-036-19	Pipe 1 x 3.....	1
5	FP-013-27	Elbow – Pipe 1 x 90 Deg.	1
6	00-877700-00111	Pipe – Gas.....	1
7	00-877700-00124	U-Bolt.....	2
8	SC-115-53	Mach. Screw 10-32 x 3/4 Slotted Truss Hd. (SST).....	2
9	00-877700-00122	Support Bracket.....	2
10	WL-014-10	Lockwasher 1/4 External (SST).....	4
11	NS-046-38	Nut 1/4-20 Hex (SST).....	4
12	WL-017-07	Lockwasher.....	2
13	NS-011-23	Nut 10-32 Hex (SST).....	2
14	FP-076-04	Elbow – Pipe 1 x 90 Deg.	1
15	FP-079-97	Elbow – Reducing 1 x 3/4.....	1
16	FP-059-19	Pipe 3/4 x 1 1/2.....	1
17	FP-019-33	Tee – Pipe 3/4 x 3/4 x 1/2.....	1
18	FP-035-91	Pipe 1/2 x 1 1/8.....	1
19	FP-022-11	Union – Pipe 1/2 Straight.....	1
20	FP-035-91	Pipe 1/2 x 1 1/8.....	1
21	00-877700-00011	Valve – Gas Solenoid.....	1
22	00-877700-00113	Flex Tube 3/8 x 12.....	1
23	FP-036-95	Pipe 3/4 x 2.....	1
24	FP-019-33	Tee – Pipe 3/4 x 3/4 x 1/2.....	1
25	FP-035-91	Pipe 1/2 x 1 1/8.....	1
26	FP-022-11	Union – Pipe 1/2 Straight.....	1
27	FP-035-91	Pipe 1/2 x 1 1/8.....	1
28	00-877700-00011	Valve – Gas Solenoid.....	1
29	00-877700-00114	Flex Tube 1/2 x 16.....	1
30	FP-036-95	Pipe 3/4 x 2.....	1
31	FP-078-89	Elbow – Reducing 3/4 x 1/2.....	1
32	FP-035-91	Pipe 1/2 x 1 1/8.....	1
33	FP-022-11	Union – Pipe 1/2 Straight.....	1
34	FP-035-91	Pipe 1/2 x 1 1/8.....	1
35	NS-011-23	Nut 10-32 Hex (SST).....	2
36	00-877700-00011	Valve – Gas Solenoid.....	1
37	00-877700-00114	Flex Tube 1/2 x 16.....	1
38	00-877700-00123	Bracket – Valve (SST).....	1
39	SC-109-78	Mach. Screw 10-32 x 3/4 Slotted Pan Hd. (SST).....	2



ACCESSORIES

ACCESSORIES

ILLUS. PL-56580	PART NO.	NAME OF PART	AMT.
1	00-877701-00007	Thermowave – Spit.....	AR
2	00-877703-00001	Thumb Screw (For Use With Items 4, 5, 6, 9, & 12).....	AR
3	00-877701-00009	Tool – Spit Lock	AR
4	00-877703-00008	Skewer – Double (Turkey).....	AR
5	00-877703-00005	Spike Bar – Single Row (Not Shown).....	AR
6	00-877703-00009	Spike Bar – Double Row.....	AR
7	00-877703-00006	Spit – 1/2 Round (Turkey).....	AR
8	00-877701-00003	Spit – Single Angle.....	AR
9	00-877703-00007	Skewer – Single (Turkey).....	AR
10	00-877703-00004	Basket Half – Bottom	AR
11	00-877703-00003	Basket Half – Top.....	AR
12	00-877703-00002	Lock – Angle Spit.....	AR
	00-877701-00022	Glove – Oven Neoprene	1 Pr.
	00-877701-00026	Shears – Chicken	AR
	00-877701-00031	Basket – Top & Bottom (Without Spike Bar).....	AR
	00-877701-00032	Basket – Hinged Clamshell.....	AR
	00-877701-00016	Kit – Gas Quick Disconnect.....	AR

