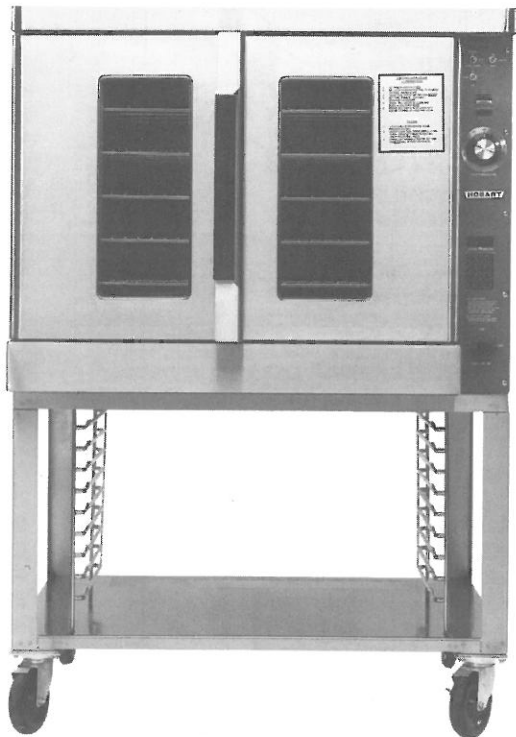




CATALOG OF REPLACEMENT PARTS

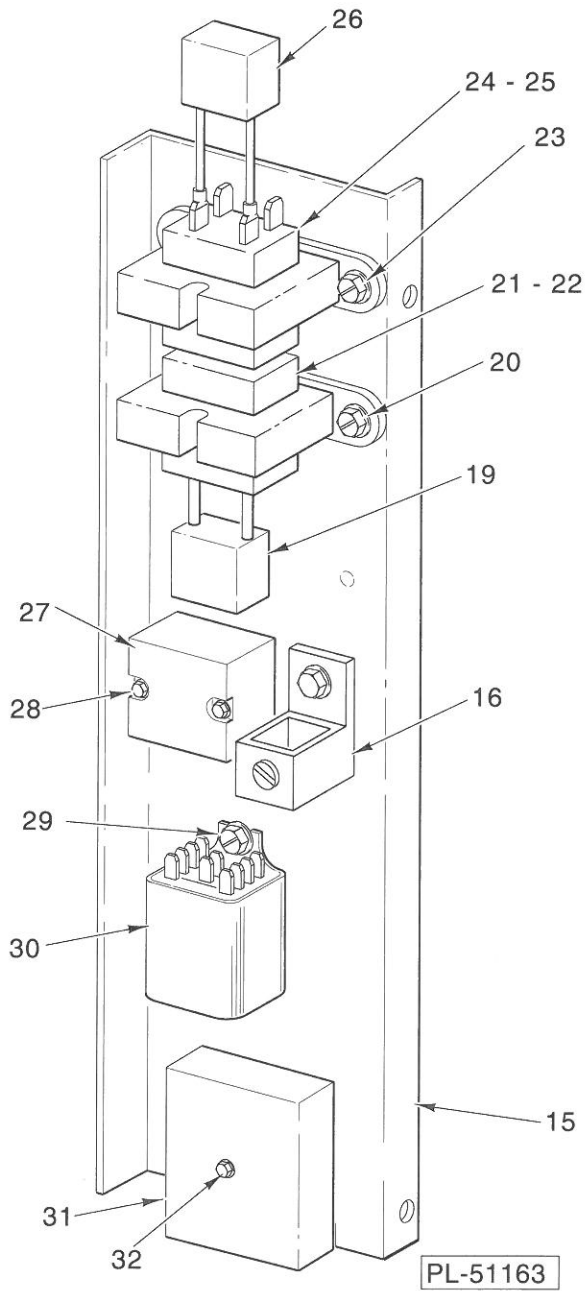


HGC40

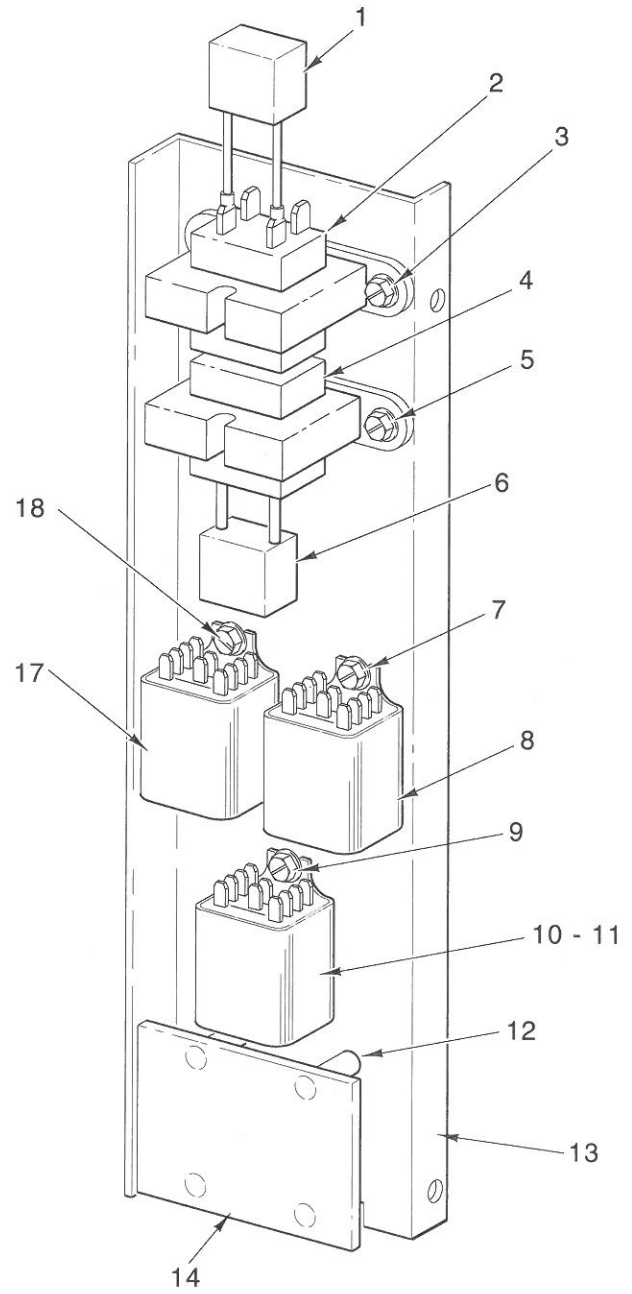
GAS CONVECTION OVENS

HGC40 ML-43832
HGC40C ML-43833

HGC40 ML-103805
HGC40C ML-103806



HGC-40

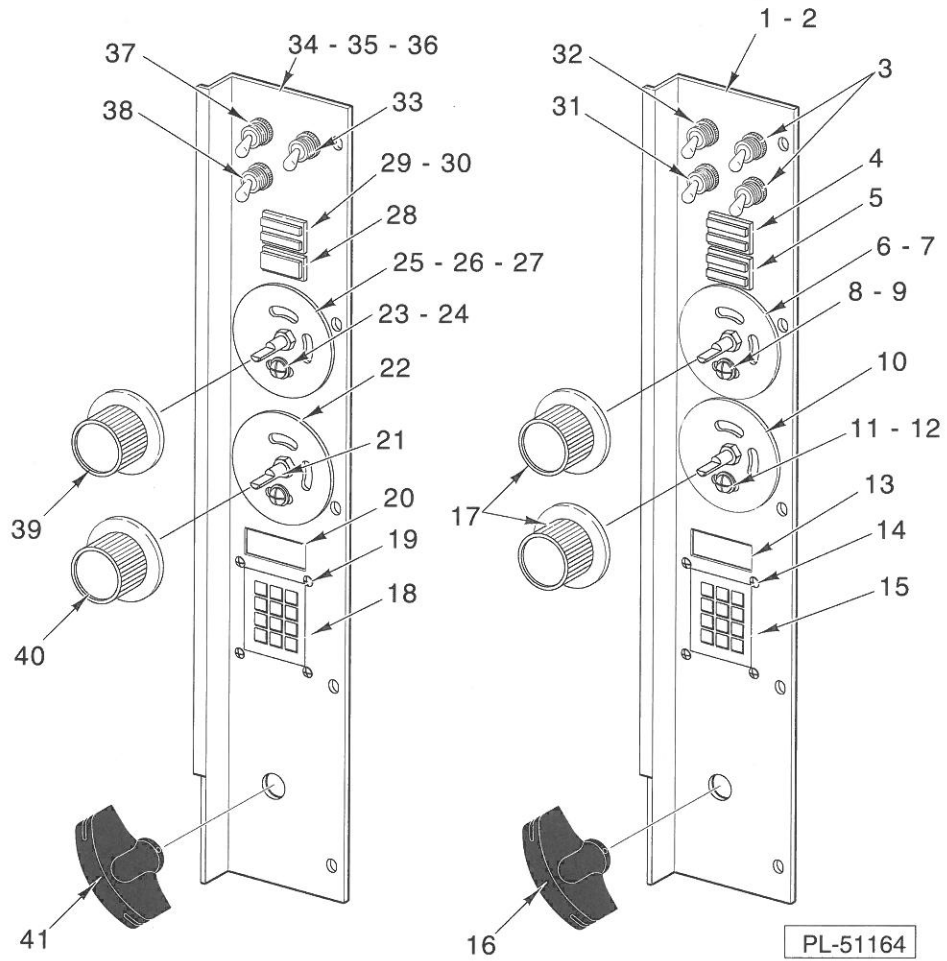


HGC-40C

ELECTRICAL COMPONENT PANEL

ELECTRICAL COMPONENT PANEL

ILLUS. PL-51163	PART NO.	NAME OF PART	AMT.
1	355040-1	Filter Assy.	1
2	335652-1	Transformer (120 V.A.C., 24 V., 10 VA)	1
3	SD-34-49	Self-Tapping Screw 8-32 x 1/2 Hex Washer Hd., Type T	2
4	335652-1	Transformer (120 V.A.C., 24 V., 10 VA)	1
5	SD-34-49	Self-Tapping Screw 8-32 x 1/2 Hex Washer Hd., Type T	2
6	355040-1	Filter Assy.	1
7	SD-34-46	Self-Tapping Screw 6-32 x 1/2 Hex Washer Hd., Type T	2
8	87714-20-2	Relay (3 P.D.T.)(10A., 120 V.A.C.)	1
9	SD-34-46	Self-Tapping Screw 6-32 x 1/2 Hex Washer Hd., Type T	2
10	87714-26-1	Relay - Time Delay (12A., 120 V.A.C.)(2 Seconds Fixed Delay)	1
11	354883-1	Diode Assy.	1
12	354411-1	Stand-Off (Self-Locking)	4
13	354972-1	Panel - Component	1
14	354409-1	Control - Electronic	1
15	354972-1	Panel - Component	1
16	350700-1	Lug - Terminal (200-240 V.)	1
17	354391-3	Relay (3 P.D.T.)(11A., 120 V.D.C.)	1
18	SD-34-46	Self-Tapping Screw 6-32 x 1/2 Hex Washer Hd., Type T	2
19	355040-1	Filter Assy.	1
20	SD-34-49	Self-Tapping Screw 8-32 x 1/2 Hex Washer Hd., Type T	2
21	335652-1	Transformer (120 V.A.C., 24 V., 10 VA)	1
22	335653-1	Transformer (200-240 V.A.C., 24 V., 20 VA)	1
23	SD-34-49	Self-Tapping Screw 8-32 x 1/2 Hex Washer Hd., Type T	2
24	335652-1	Transformer (120 V.A.C., 24 V., 10 VA)	1
25	335653-1	Transformer (200-240 V.A.C., 24 V., 20 VA)	1
26	355040-1	Filter Assy.	1
27	340195-1	Terminal Block (200-240V.)	1
28	SD-34-54	Self-Tapping Screw 8-32 x 1 1/4 Hex Washer Hd., Type T	2
29	SD-34-45	Self-Tapping Screw 6-32 x 3/8 Rd. Hd., Type T	2
30	357446-1	Relay - Pulse (HGC40 Only)	1
31	357447-1	Timer - Pulse Cycle (HGC40 Only)	1
32	SD-34-54	Self-Tapping Screw 8-32 x 1 1/4 Hex Washer Hd., Type T	1
	345750-1	Plug - (Black) (6 Circuits)	1
	345519-3	Plug (Natural)(6 Circuits)(HGC40C)	1
	345520-1	Cap - Plug (Natural) (4 Circuits)	1
	345520-3	Cap - Plug (Natural) (4 Circuits) (HGC40C)	1
	350700-2	Lug - Terminal (200-240 V.)(HGC40C)	1
	355041-1	Connector - Female 15 Pin	1
	355037-1	Connector - Male 15 Pin	1



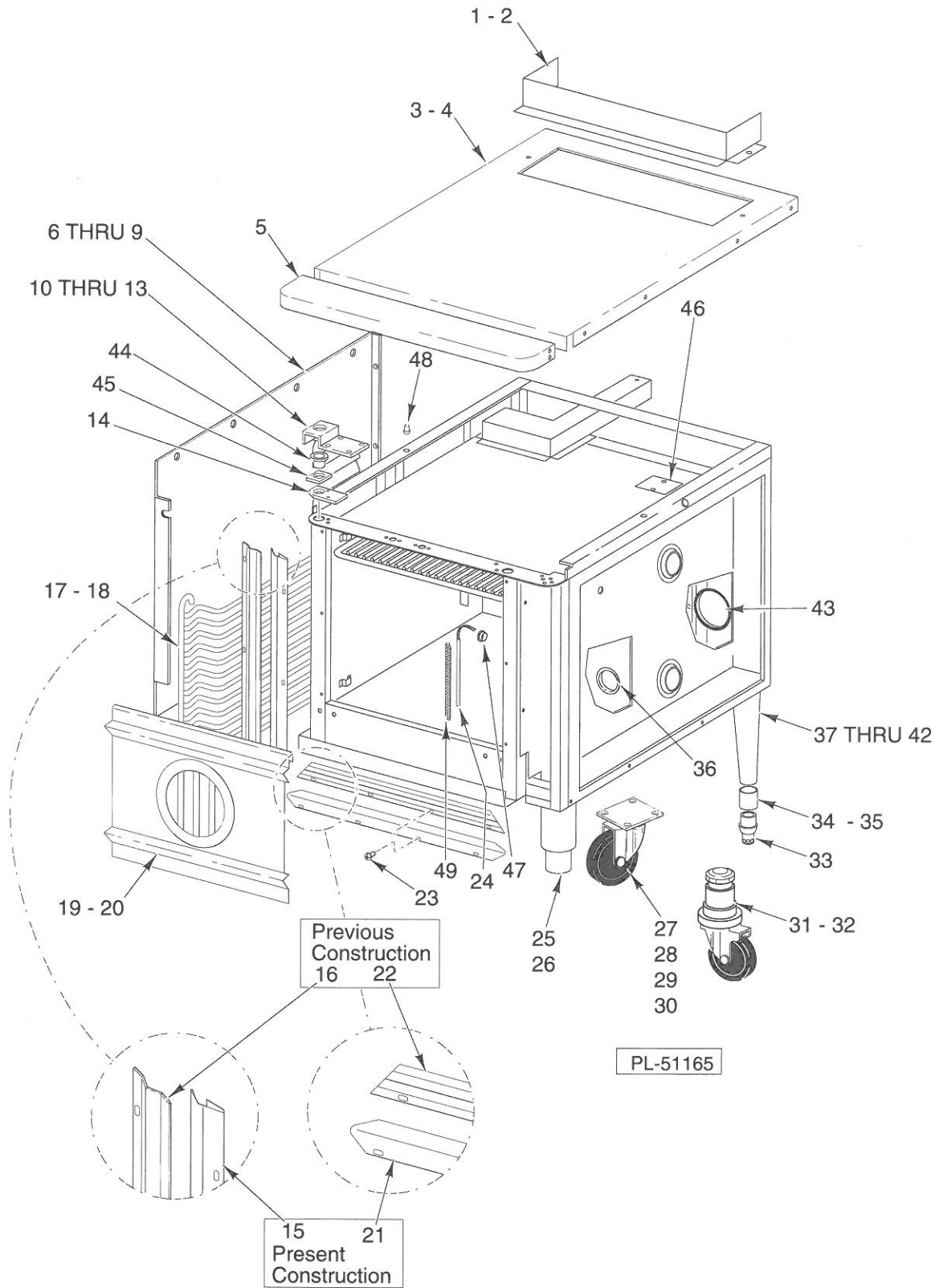
HGC-40

HGC-40C

CONTROL PANEL

CONTROL PANEL

ILLUS. PL-51164	PART NO.	NAME OF PART	AMT.
1	355335-1	Panel - Control	1
2	355334-1	Overlay - Panel	1
3	340324-12	Switch (SPST)	2
4	354575-2	Light - Indicator (On/Heat)	1
5	354575-3	Light - Indicator (No Ignition/Ready)	1
6	353560-1	Plate - Dial (150/450 Deg. F)	1
7	354410-1	Potentiometer	2
8	SD-34-19	Self-Tapping Screw 10 x 3/8 Phil. Truss Hd., Type AB	1
9	WS-29-45	Washer	1
10	354422-1	Plate - Dial (100/190 Deg. F)	1
11	SD-34-19	Self-Tapping Screw 10 x 3/8 Phil. Truss Hd., Type AB	1
12	WS-29-45	Washer	1
13	356570-1	Filter - P.C.B.	1
14	SC-115-21	Mach. Screw 2-56 x 3/8 Phil. Pan Hd.	4
15	356569-2	Keyboard - P.C. Assy.	1
16	402957-3	Handle - Gas Cock	1
17	354208-1	Knob - Control	2
18	356569-2	Keyboard - P.C. Assy.	1
19	SC-115-21	Mach. Screw 2-56 x 3/8 Phil. Pan Hd.	4
20	356570-1	Filter - P.C.B.	1
21	357445-1	Timer - Pulse Mode	1
22	357366-1	Plate - Dial Pulse Timer (Incls. Mounting Screw)	1
23	SC-114-83	Mach. Screw 6-32 x 1/4 Pan Hd.	2
24	WS-28-20	Washer	2
25	353560-1	Plate - Dial (150/450 Deg. F)	1
26	357367-1	Plate - Dial (150/500 Deg. F)	1
27	353613-2	Controller - Temperature 500 Deg. F.	1
28	354575-4	Light - Indicator (No Ignition)	1
29	354575-1	Light Indicator (On/Heat) (200-240V)	1
30	354575-2	Light - Indicator (On/Heat)	1
31	340324-9	Switch (D.P.D.T.)(2 Speed Motor)	1
32	340324-11	Switch (4 P.D.T.)	1
33	340324-12	Switch (SPST)	1
34	355335-1	Panel - Control	1
35	355333-1	Overlay - Panel	1
36	357360-1	Overlay - Panel Pulse	1
37	340324-11	Switch (4 P.D.T.)	1
38	340324-9	Switch (D.P.D.T.)(2 Speed Motor)	1
39	354208-1	Knob - Control (Use W/item 27)	1
40	354208-3	Knob - Control (Use W/item 21)	1
41	402957-3	Handle - Gas Cock	1
	355030-2	Lead Set (2 Speed Motor)	1



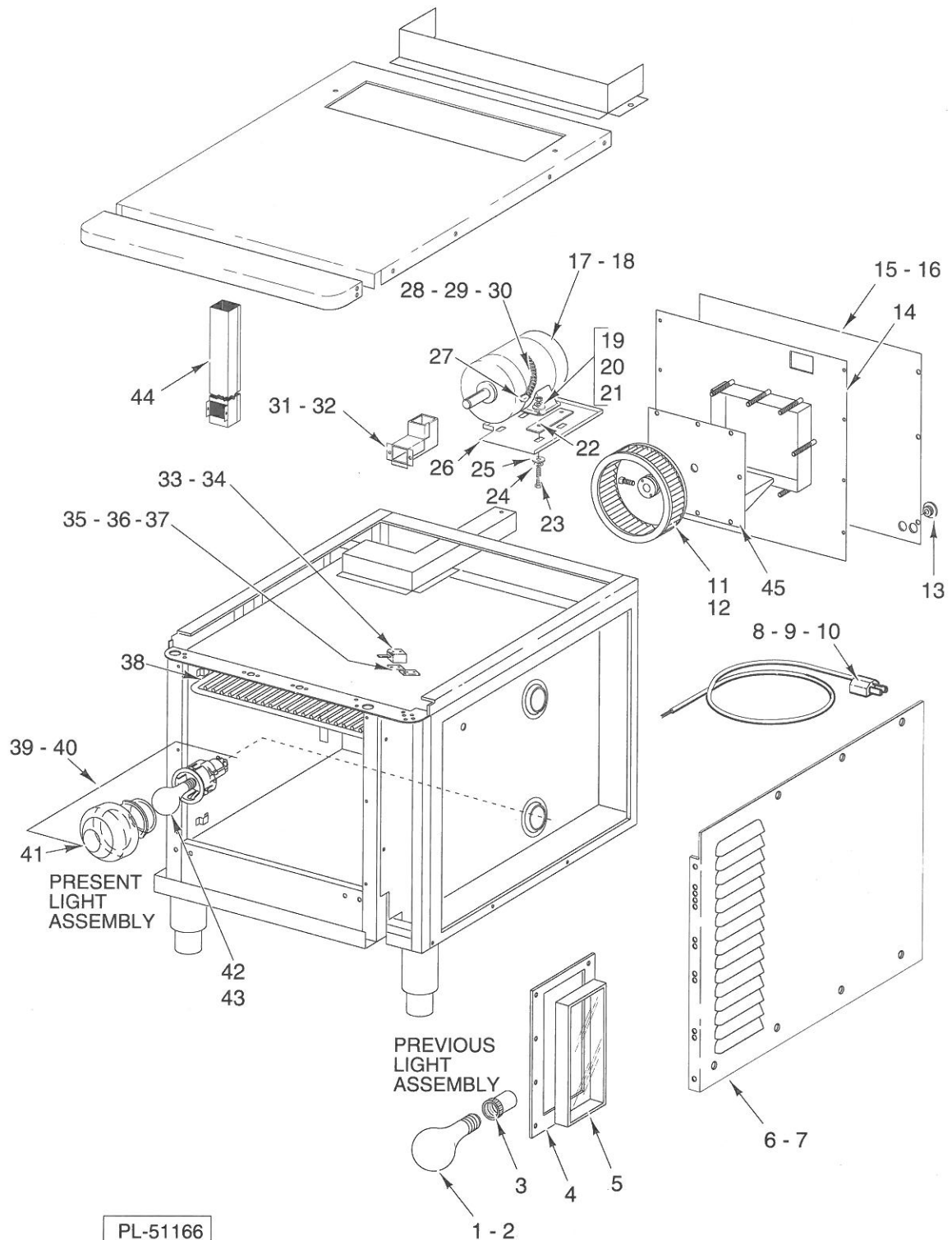
OVEN

OVEN

ILLUS. PL-51165	PART NO.	NAME OF PART	AMT.
1	343516-1	Shell - Chimney (PTD)	1
2	343516-2	Shell - Chimney (SST)	1
3	343508-1	Top - Rear (PTD)	1
4	343508-2	Top - Rear (SST)	1
5	343501-1	Top - Front	1
* 6	342201-1	Panel - Outer (L.H.) (PTD) (33 ³ / ₁₆ Wide) (Use W/items 16 & 22)	1
* 7	342201-2	Panel - Outer (L.H.) (SST) (33 ³ / ₁₆ Wide) (Use W/items 16 & 22)	1
** 8	357760-1	Panel - Outer (L.H.) (PTD) (33 ³ / ₄ Wide) (Use W/items 15 & 21)	1
** 9	357760-2	Panel - Outer (L.H.) (SST) (33 ³ / ₄ Wide) (Use W/items 15 & 21)	1
10	SC-115-62	Mach. Screw 1/4-20 x 1/2 Phil. Truss Hd.	4
11	WL-19-22	Lockwasher 1/4 Ext.	4
12	NS-46-52	Nut - 1/4-20 Hex "Keps"	4
13	353484-1	Plate - Retainer	2
14	353483-1	Plate - Upper Door Bearing	2
**15	357508-1	Seal - Door (23 Long)	2
*16	- - -	Gasket - Door (20 Long)(L/R)	2
17	342141-1	Rack - Support (L.H.)	1
18	342141-2	Rack - Support (R.H.)	1
19	357844-1	Blower - Baffle (Porcelain)	1
20	355542-1	Blower Baffle (SST)	1
**21	357507-1	Seal - Door (30 1/2 Long)	2
*22	- - -	Gasket - Door (29 Long)	2
23	SD-34-31	Self-Tapping Screw 6-20 x 5/16 Pan Phil. Hd., Type BT	14
24	354319-1	Probe Assy.	1
25	340445-2	Leg - Adjustable (6")	AR
26	342150-5	Leg - Adjustable (8")	AR
27	343634-1	Caster - (Swivel)(W/Brake)(7 1/2")	2
28	343634-2	Caster (Rigid)(7 1/2")	2
29	341655-6	Caster - 6" High "Swivel" (W/Brake)	AR
30	341655-7	Caster - 6" High "Rigid"	AR
31	357047-1	Caster 8 1/2" High "Swivel"(W/O Brake)	2
32	357047-2	Caster 8 1/2" High "Swivel"(W/Brake)	2
33	288946-2	Foot - Adjustable (1 1/2" to 2 3/4")	AR
34	357042-1	Extension - Leg (2 1/4")	AR
35	357093-1	Ring - Locking	AR
36	FE-23-53	Bushing - Snap	2
37	357040-1	Leg W/Feet (SST) (Incls.items 33,34 & 35)	AR
38	357040-2	Leg W/Caster (No Brake) (SST) (Incls.items 31 & 34)	AR
39	357040-3	Leg W/Caster (SST)(W/Brake)(Incls.items 32 & 34)	AR
40	357040-4	Leg W/Feet (PTD) (Incls.items 33,34 & 35)	AR
41	357040-5	Leg W/Caster (No Brake) (PTD)(Incls.items 31 & 34)	AR
42	357040-6	Leg W/Caster (W/Brake) (PTD) (Incls.items 32 & 34)	AR
43	355345-1	Molding Edge	1
44	347080-2	Bearing - Door Shaft	2
45	353482-1	Spacer	2
46	346358-2	Hi-Limit Assy.	1
47	342154-2	Plug - Thermostat	1
48	339337-1	Stud - Locating	2
49	342132-4	Guard - Thermostat Bulb	1
	355536-1	Diffuser - Top	1

* Previous construction. Note: Panel flange mounts over seals. Order kit part number 357919-1. Kit includes 2 new vertical, 2 new horizontal seals & mounting screws.

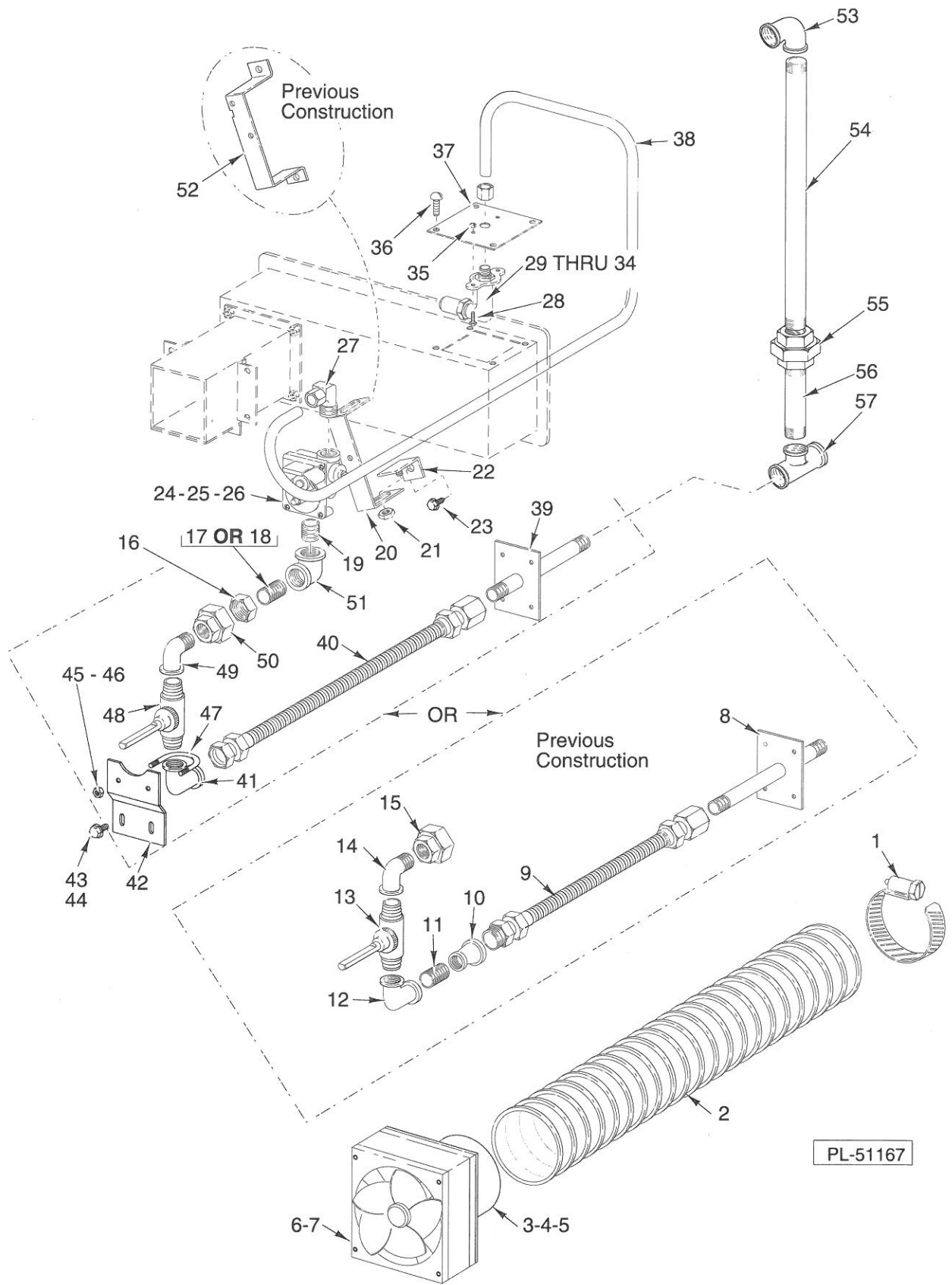
** Present construction. Note panel flange mounts under seal mounting flange.



OVEN

OVEN

ILLUS. PL-51166	PART NO.	NAME OF PART	AMT.
1	342766-1	Light Bulb - Oven (40 Watts) (120 V.)	2
2	342766-2	Light Bulb-Oven (240V.,40 Watts)	2
3	340263-1	Socket - Oven Light	2
4	343611-1	Trim - Window	1
5	355727-2	Window - Oven Light	1
6	356615-1	Panel-Outer (R.H.) (PTD)	1
7	356615-2	Panel-Outer (R.H.) (SST)	1
8	343226-11	Cord & Plug (7 Ft.)	1
9	350691-3	Connector	1
10	355317-1	Filter	1
11	355548-1	Wheel - Blower (Incls. 5/16-24 UNF SST Sq. Hd. Bolt)	1
12	SC-113-53	Set Screw 5/16-24 x 3/8 Soc. Hdls	AR
13	355023-1	Bushing - Snap	1
14	354960-1	Back - Inner Panel	1
15	355022-1	Panel - Back (PTD.)	1
16	355022-2	Panel - Back (SST)	1
17	355000-1	Motor 1/2 H.P. (2 Speed) (120 V.)	1
18	342146-5	Motor 1/2 H.P.(2 Speed)(230 V.)	1
19	346217-1	Washer - Motor Mounting	4
20	WS-29-46	Washer	4
21	NS-46-86	Nut Assy. 5/16-18 "KEPS" Hex	4
22	354564-1	Spacer - Rubber	2
23	SC-113-65	Cap Screw 5/16-18 x 1 1/4 Hex Hd.	4
24	WS-29-46	Washer	4
25	346217-1	Washer - Motor Mounting	4
26	345523-1	Baffle - Motor	1
27	342046-1	Adapter - Conduit	1
28	FE-6-5	Lock Nut 1/2 (Electrical)	1
29	342151-1	Conduit	1
30	342285-1	Bushing - Plastic	2
31	354975-1	Flue Deflector Assy.	1
32	SD-34-45	Self-Tapping Screw 6-32 x 3/8 Rd. Hd., Type T	2
33	342147-1	Switch - Door	1
34	SD-34-62	Self-Tapping Screw 10-32 x 1/2 Hex Washer Hd., Type T	2
35	SD-34-47	Self-Tapping Screw 6-32 x 1 Hex Washer Hd., Type T	2
36	343509-1	Bracket - Door Switch	1
37	343612-1	Housing - Receptacle	1
38	342142-1	Rack Assy.	AR
39	357036-1	Lamp-Oven (120-130V.,40 Watts)(Incls. Items 41 & 42)	2
40	357036-2	Lamp-Oven (250V.,40 Watts)(Incls. Items 41 & 43)	2
41	357036-3	Lens - Oven Lamp	2
42	342766-1	Light Bulb - Oven (40 Watts) (120 V.)	2
43	342766-2	Light Bulb-Oven (240V.,40 Watts)	2
44	355091-1	Vent Assy. - Common (Stacked Units)	1
45	356633-1	Motor Mount	1
	355319-1	Flue - Common (Stacked Units)(Packaged)	1
	355318-2	Pan - Drip (Packaged)	1

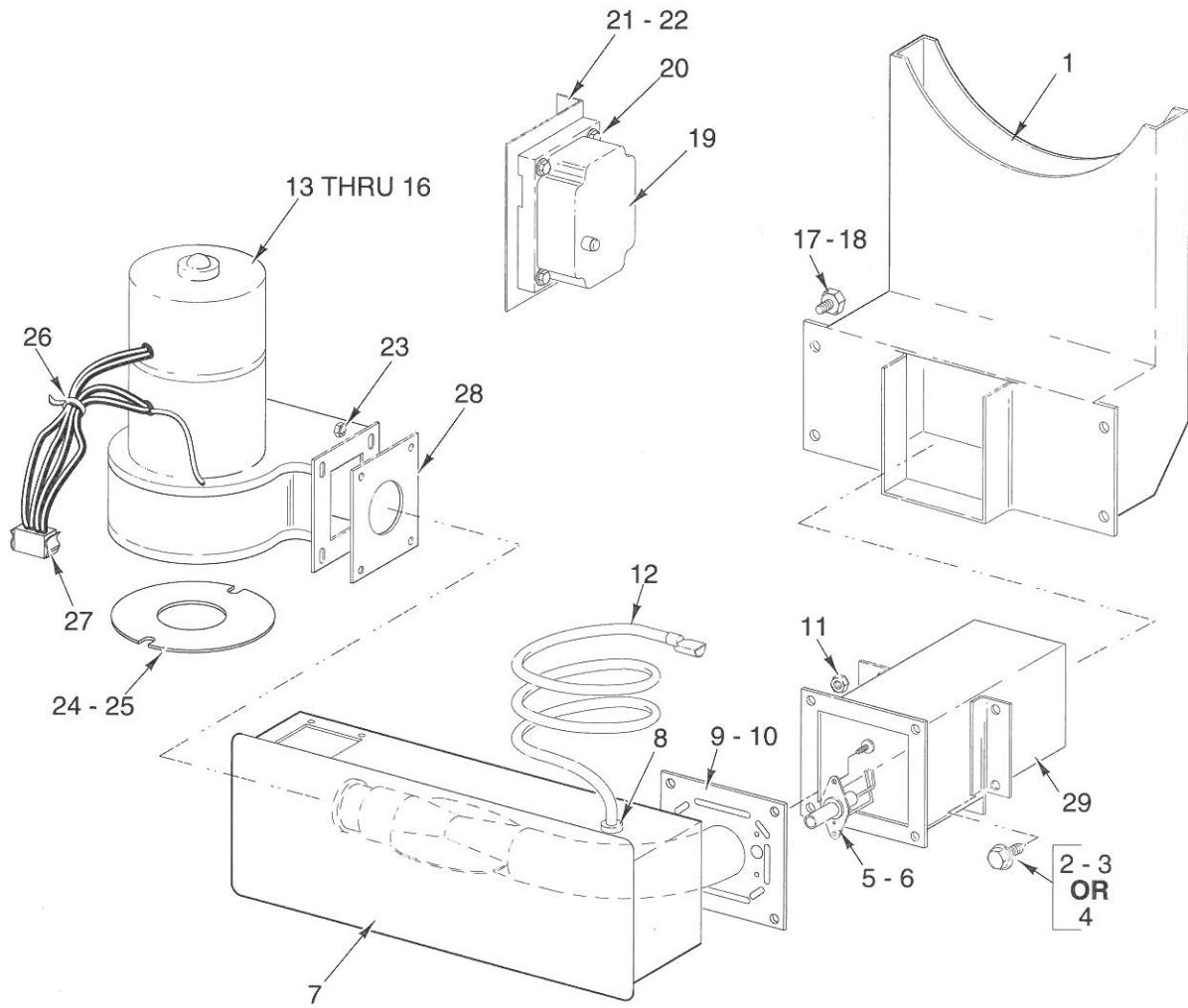


GAS PIPING

GAS PIPING

ILLUS. PL-51167	PART NO.	NAME OF PART	AMT.
1	521462	Clamp - Hose	2
2	355726-1	Tube - Exhaust	1
3	355724-1	Tube - Bracket Assy.	1
4	SC-21-10	Mach. Screw 6-32 x 1/2 Rd. Hd.	6
5	NS-46-89	Nut Assy. 6-32 Hex "KEPS"	6
6	415207-1	Fan - Cooling 120 V.	1
7	415207-2	Fan (230 V.)	1
8	356619-1	Pipe & Support Assy. (Pipe 1 3/4 Lg.)	1
9	355336-1	Tube - Flex (18" Lg.)	1
10	FP-24-6	Coupling 1/2 to 3/8 Reducing	1
11	FP-35-49	Nipple 3/8 x 1 1/2 TBE	1
12	FP-13-11	Elbow 3/8 x 90 Deg.	1
13	407789-3	Valve - Service	1
14	FP-78-75	Street Elbow 3/8 x 90 Deg.	1
15	348049-201	Union (Tail & Nut)	1
16	348049-101	Union (Head)	1
17	FP-35-49	Nipple 3/8 x 1 1/2 TBE	1
18	FP-35-52	Nipple 3/8 x 2 TBE	1
19	FP-35-46	Pipe 3/8 x 1 Lg. (T.B.E)	1
20	356637-1	Support - Solenoid	1
21	NS-46-52	Nut - 1/4-20 Hex "Keps"	2
22	356638-1	Bracket - Solenoid	2
23	SD-36-51	Self-Tapping Screw 8-32 x 3/8 Hex Washer Hd., Type T	2
24	355040-3	Filter (HGC40C)	1
25	354344-4	Valve - Gas Control (Nat.)	1
26	354344-5	Valve - Gas Control (Pro)	1
27	348037-2	Elbow	1
28	SC-119-31	Mach. Screw 10-24 x 3/8 Hex Hd SST	2
29	356585-1	Fitting - Orifice (29 Drill)(Nat.Gas)(Sea Level to 2499 Ft.)	1
30	356585-2	Fitting - Orifice (30 Drill)(Nat.Gas)(2500 to 6499 Ft.)	1
31	356585-3	Fitting - Orifice (31 Drill)(Nat.Gas)(6500 to 7499 Ft.)	1
32	356585-4	Fitting - Orifice (48 Drill)(Pro.Gas)(Sea Level to 2499 Ft.)	1
33	356585-5	Fitting - Orifice (49 Drill)(Pro.Gas)(2500 to 6499 Ft.)	1
34	356585-6	Fitting - Orifice (50 Drill)(Pro.Gas)(6500 to 7499 Ft.)	1
35	NS-44-9	Nut Assy 10-24 Hex "KEPS"	2
36	SD-34-15	Self-Tapping Screw 8-18 x 3/8 Rd. Hd., Type AB	4
37	356584-1	Plate - Orifice	1
38	356588-1	Tube - Gas Inlet	1
39	356738-1	Pipe - Weldment Gas Inlet (Pipe 10 5/8 Lg.)	1
40	356737-1	Tube - Flex (24"Lg.)	1
41	FP-87-19	Elbow - Reducing 1/2 x 3/8 x 90 Deg. Brass	1
42	356735-1	Support - Valve	1
43	SC-41-1	Cap Screw 1/4-20 x 3/4 Hex Hd	2
44	WL-6-17	Lockwasher 1/4 Medium	2
45	NS-15-1	Full Nut 1/4-20 Hex SST	2
46	WL-6-17	Lockwasher 1/4 Medium	2
47	521820	"U" Bolt 1/4-20	1
48	407789-3	Valve - Service	1
49	FP-78-75	Street Elbow 3/8 x 90 Deg.	1
50	348049-201	Union (Tail & Nut)	1
51	FP-13-11	Elbow 3/8 x 90 Deg.	1
52	---	Support - Solenoid (Not Available. Replace W/Items 20, 21 & 22)	1
*53	FP-77-68	Elbow 1/2 x 90 Deg.	1
*54	FP-75-27	Nipple 1/2 x 21 TBE	1
*55	348049-2	Union - Straight	1
*56	FP-58-51	Nipple 1/2 x 5 TBE	1
*57	FP-19-25	Tee 1/2 x 1/2 x 1/2	1

* Common gas supply for stacked units.

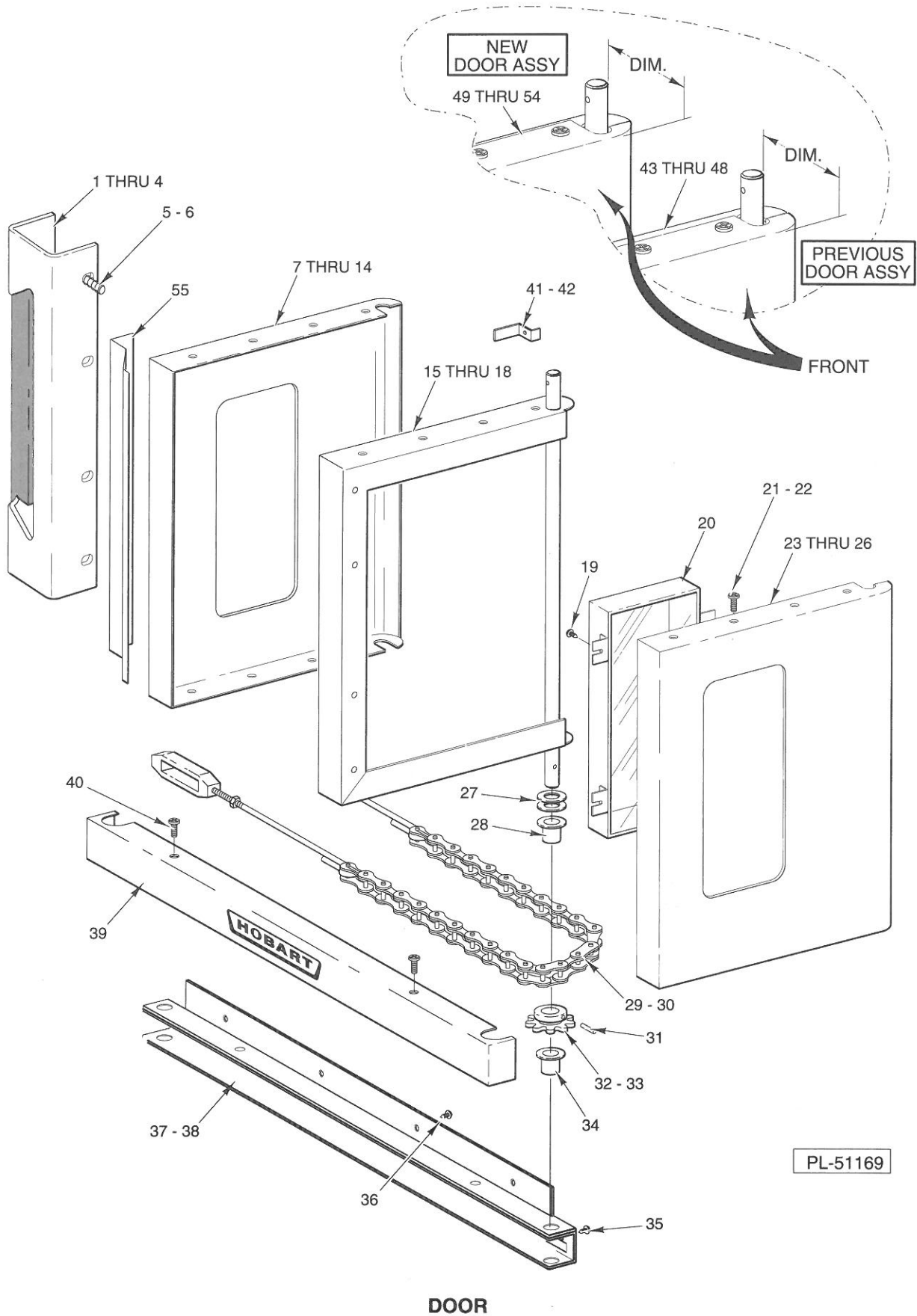


PL-51168

COMBUSTION ASSEMBLY

COMBUSTION ASSEMBLY

ILLUS. PL-51168	PART NO.	NAME OF PART	AMT.
1	356590-1	Heat Exchanger Assy.	1
2	SC-41-50	Cap Screw 1/4-20 x 1/2 Hex Hd.	4
3	WL-6-17	Lockwasher 1/4 Medium	4
4	NS-46-52	Nut - 1/4-20 Hex "Keps"	4
5	356587-1	Electrode - Ignition	1
6	SD-36-17	Self-Tapping Screw 8-18 x 3/8 Phil. Pan Hd., Type AB	2
7	356576-1	Burner Box Assy.	1
8	FE-16-23	Bushing	1
9	356571-2	Burner Assy.	1
10	356586-1	Insulation - Burner	1
11	NS-46-52	Nut - 1/4-20 Hex "Keps"	4
12	356595-1	Cable - High Voltage	1
13	354984-2	Motor Blower Assy. (200/240 V.)(Incls.items 25, 26 & 27)	1
14	354984-1	Motor Blower Assy. (120 V.)(Incls.items 24, 26 & 27)	1
15	354984-3	Motor Blower Assy. (230 V.)(Incls.items 24, 26 & 27)	1
16	356639-1	Switch - Blower (125/250 V.A.C., 15A)	1
17	SD-37-80	Self-Tapping Screw 10-24 x 1/2 Hex Washer Hd., Type TT	4
18	WL-6-6	Lockwasher 10 Light	4
19	356589-1	Controller - Spark Ignitor	1
20	SD-34-52	Self-Tapping Screw 8-32 x 1 Hex Washer Hd., Type T	4
21	SD-34-21	Self-Tapping Screw 10-16 x 1/2 Sl. Hex Washer Hd., Type AB	2
22	356594-1	Bracket - Ignition Module	1
23	NS-46-52	Nut - 1/4-20 Hex "Keps"	4
24	355047-1	Restrictor - Blower Plate (1 1/4 Dia. Hole)	1
25	355047-2	Restrictor - Blower Plate (1 Dia. Hole)	1
26	251199	Tie - Cable (4" Long)	3
27	345519-1	Plug (Natural)(4 Circuits)	1
28	355017-1	Gasket - Blower Motor	1
29	356579-1	Box - Combustion	1
	356597-1	Wiring Harness - ignition Module	1



PL-51169

DOOR

DOOR

ILLUS. PL-51169	PART NO.	NAME OF PART	AMT.
1	356562-1	Handle - Door	1
2	356563-1	Grip - Front	1
3	356563-2	Grip - Rear	1
4	SC-113-98	Mach. Screw 10-24 x 1/2 Hex Washer Hd.	3
5	SC-41-1	Cap Screw 1/4-20 x 3/4 Hex Hd	4
6	WL-19-37	Lockwasher 1/4 Int.	4
** 7	357842-1	Shell - Outer Door (R.H.) (W/Window)	1
* 8	356552-1	Shell - Outer Door (R.H.) (W/ Window)	1
* 9	356552-2	Shell - Outer Door (R.H.) (Solid)	1
**10	357842-3	Shell - Outer Door (R.H.) (Solid)	1
*11	356554-1	Shell - Outer Door (L.H.) (W/ Window)	1
*12	356554-2	Shell - Outer Door (L.H.) (Solid)	1
**13	357842-2	Shell - Outer Door (L.H.) (W/Window)	1
**14	357842-4	Shell - Outer Door (L.H.) (Solid)	1
*15	356556-1	Frame Assy. - Door (R.H.)	1
**16	357840-1	Frame Assy. - Door (R.H.)	1
*17	356557-1	Frame Assy. - Door (L.H.)	1
**18	357841-1	Frame Assy. - Door (L.H.)	1
19	SD-34-62	Self-Tapping Screw 10-32 x 1/2 Hex Washer Hd., Type T	4
20	355727-1	Window Assy.	2
**21	350543-6	Mach. Screw 10-32 x 1/2 Phil. Pan Hd.	8
*22	SC-118-62	Mach. Screw 10-32 x 5/16 Phil. Pan Hd.	8
*23	356560-1	Shell - Inner Door (W/Window)	1
*24	356551-2	Shell - Inner Door (Solid)	1
**25	357836-2	Shell - Inner Door (Solid)	1
**26	357838-1	Shell - Inner Door (W/Window)	1
27	343143-1	Washer	4
28	347080-2	Bearing - Door Shaft	2
29	343608-2	Door Chain & Turnbuckle Assy.	2
30	352667-1	Door Stop Cable Assy. (Use with item 29)	1
31	PS-4-11	Spirol Pin 3/16 x 1 1/4	2
32	342166-1	Sprocket - Door Shaft	2
33	SC-47-28	Set Screw 1/4-28 x 3/8 K Cup, Hex Drive (Use with item 32)	2
34	347080-2	Bearing - Door Shaft	2
35	SC-113-90	Mach. Screw 1/4-20 x 3/4 Hex Hd.	2
36	SC-22-40	Mach. Screw 1/4-20 x 3/4 Phil. Flat Hd.	4
*37	355742-1	Channel - Bottom Sill	1
**38	357846-1	Channel - Door Sill Weldment	1
39	343515-1	Front Cover - Door Sill	1
40	SD-34-59	Self-Tapping Screw 10-32 x 3/8 Phil. Pan Hd., Type T	2
41	356253-1	Lever - Door Switch	1
42	SD-34-52	Self-Tapping Screw 8-32 x 1 Hex Washer Hd., Type T	1
*43	355743-1	Door Assy. (R.H.)(W/Window)(Incls.items 8,15,19,20,22 & 23)	1
*44	355743-2	Door Assy.(R.H.)(Solid)(Incls.items 9, 15, 22 & 24)	1
*45	355744-1	Door Assy.(L.H.)(W/Window)(Incls.items 11, 17, 19, 20, 22 & 23)	1
*46	355744-2	Door Assy.(L.H.)(Solid)(Incls.items 12, 17, 22 & 24)	1
*47	355745-1	Complete Door Assy.(W/Window)(Incls.items 1 thru 6, 27 thru 37, 40, 43, 45 & 55)	1
*48	355745-2	Complete Door Assy.(Solid)(Incls.items 1 thru 6, 27 thru 37, 40, 44, 46 & 55)	1
**49	357872-1	Complete Door Assy.(W/Window)(Incls.items 1 thru 6, 27 thru 36, 38, 51, 54 & 55)	1
**50	357872-2	Complete Door Assy.(Solid)(Incls.items 1 thru 6, 27 thru 36, 38, 52, 53 & 55)	1
**51	357871-1	Door Assy.(L.H.)(W/Window)(Incls.items 13, 18 thru 21 & 26)	1
**52	357871-2	Door Assy.(L.H.)(Solid)(Incls.items 14, 18, 21 & 25)	1
**53	357843-2	Door Assy.(R.H.)(Solid)(Incls.items 10, 16, 21 & 25)	1
**54	357843-1	Door Assy.(R.H.)(W/Window)(Incls.items 7, 16, 19, 20, 21 & 26)	1
55	356550-1	Latch - Friction	1
	520228	Adhesive (Use W/item 33)(50cc Bottle)	AR
	528664	Lubricant (Use W/item 29)	AR

* Previous door construction. Dimension from edge of shaft to outside door is 5/16 as shown on pg. 14.

** Present door construction. Dimension from edge of shaft to outside door is 7/16 as shown on pg. 14.